



US00D416885S

United States Patent [19]

Hirai et al.

[11] Patent Number: **Des. 416,885**

[45] Date of Patent: **** Nov. 23, 1999**

[54] **LOWER METAL COVER FOR COMPACT FLASH CARD**

[75] Inventors: **Yuji Hirai; Yutaka Ohtani**, both of Tokyo, Japan

[73] Assignee: **Honda Tsushin Kogyo Co., Ltd.**, Tokyo, Japan

[**] Term: **14 Years**

[21] Appl. No.: **29/094,621**

[22] Filed: **Oct. 6, 1998**

[30] **Foreign Application Priority Data**

Aug. 5, 1998 [JP] Japan 10-22374

[51] **LOC (6) Cl.** **14-02**

[52] **U.S. Cl.** **D14/117**

[58] **Field of Search** D14/114, 117; D19/9-10; 40/124.01; 283/75-77, 48.1, 83, 107, 901; 235/382.5, 375, 487-94, 441-3; 361/736-7, 752; D13/182; 174/52.1; 439/152

[56] **References Cited**

U.S. PATENT DOCUMENTS

D. 320,225 9/1991 Ido et al. D14/114
D. 365,339 12/1995 Smith D14/114

D. 367,387 2/1996 Sweere D14/114 X
D. 398,602 9/1998 Aoki D14/114 X
D. 398,604 9/1998 Aoki D14/114 X
4,149,027 4/1979 Asher et al. 174/52.1 X
4,941,835 7/1990 Lasmayoux et al. 439/152
5,038,250 8/1991 Uenaka et al. 361/737
5,061,845 10/1991 Pinnavaia 235/492
5,107,073 4/1992 Steffen 174/52.1
5,242,310 9/1993 Leung 235/492 X
5,397,857 3/1995 Farquhar et al. .

Primary Examiner—M. H. Tung
Attorney, Agent, or Firm—Nikaido, Marmelstein, Murray & Oram LLP

[57] **CLAIM**

The original design for lower metal cover for compact flash card, as shown and described.

DESCRIPTION

FIG. 1 is a perspective view of the lower metal cover for compact flash card showing my new design;
FIG. 2 is a front elevational view thereof;
FIG. 3 is a top plan view thereof;
FIG. 4 is a bottom plan view thereof;
FIG. 5 is a rear elevational view thereof;
FIG. 6 is a right side elevational view thereof; and,
FIG. 7 is a left side elevational view thereof.

1 Claim, 2 Drawing Sheets

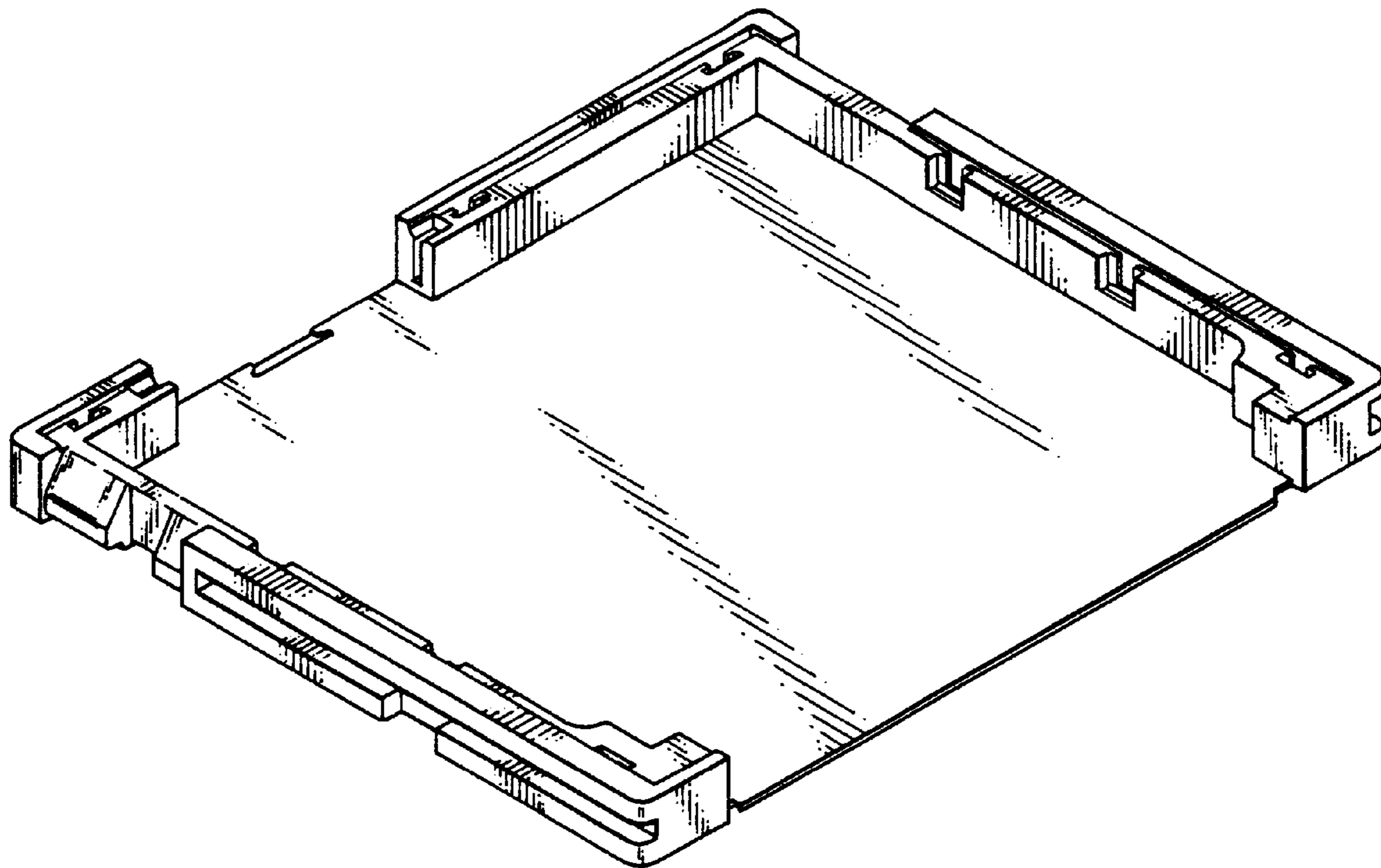


FIG. 1

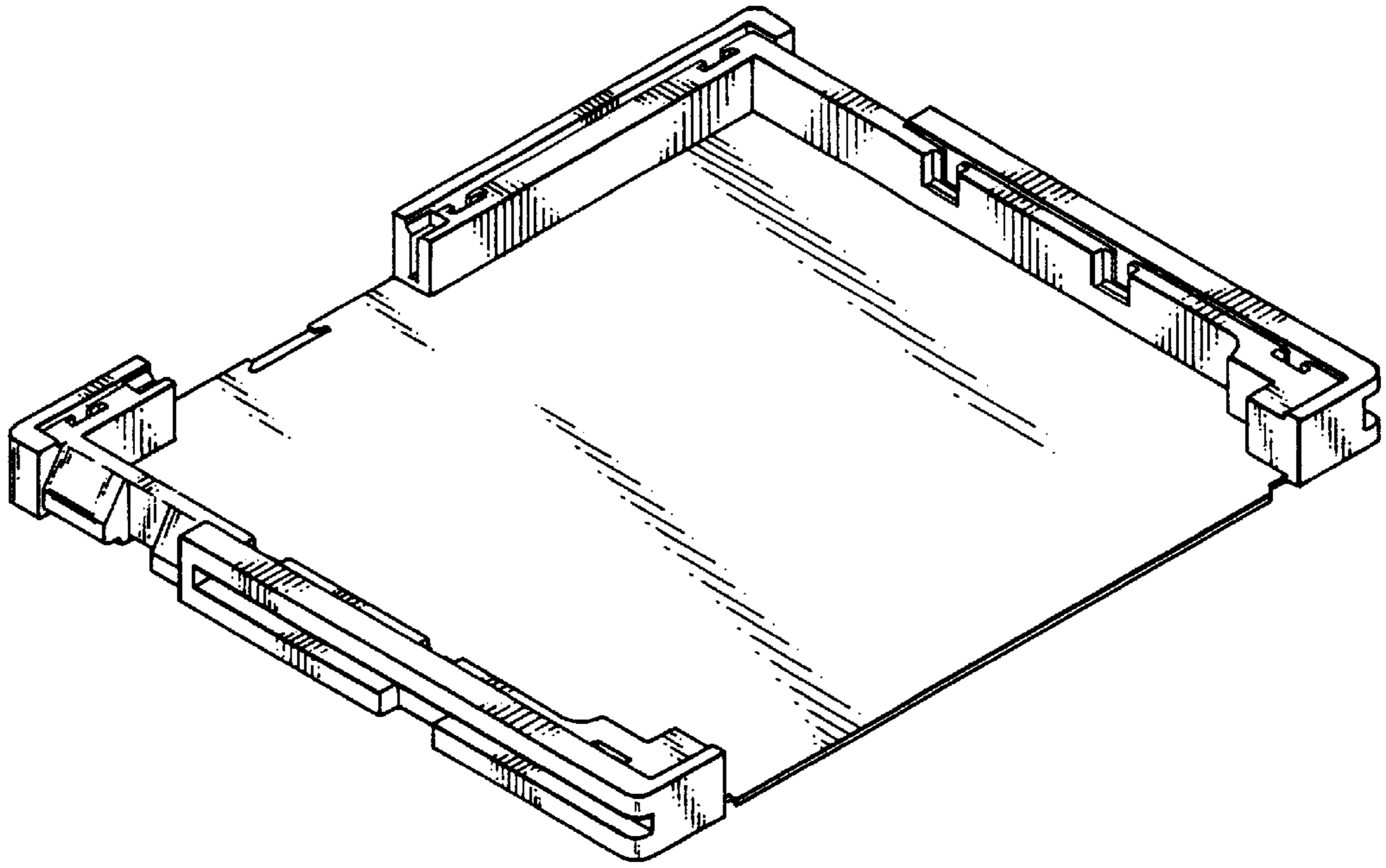


FIG. 2

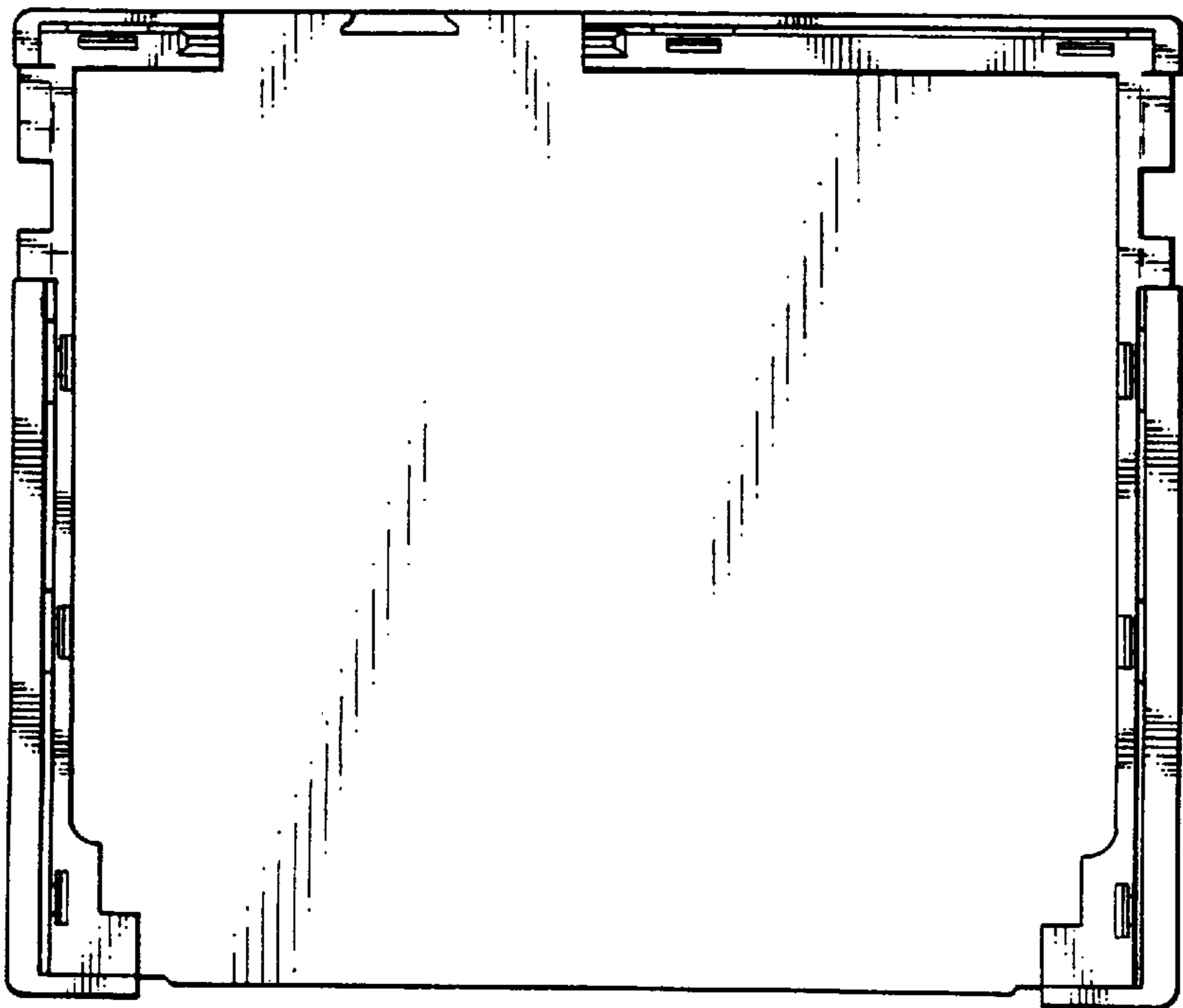


FIG. 3

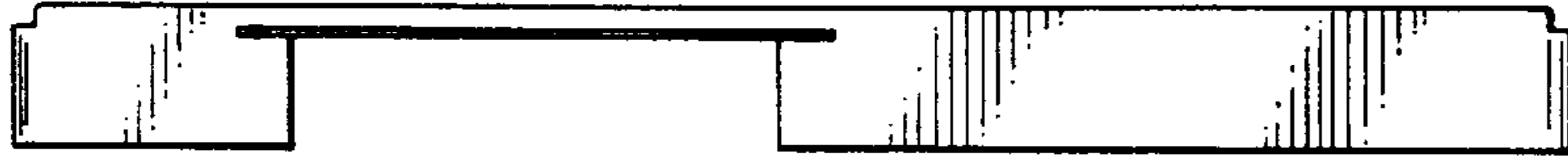


FIG. 6



FIG. 4



FIG. 7



FIG. 5

