



US00D416883S

# United States Patent [19]

Wagner et al.

[11] Patent Number: **Des. 416,883**

[45] Date of Patent: **\*\* Nov. 23, 1999**

[54] **PORTABLE HANDHELD SCANNING DEVICE**

D. 374,440 10/1996 Kanno et al. .... D14/116  
D. 388,076 12/1997 Swift et al. .... D14/116  
D. 394,855 6/1998 Ahearn et al. .... D14/116

[75] Inventors: **Gregg Wagner; Robert Stewart; Douglas Ewald**, all of Boulder, Colo.

*Primary Examiner*—M. H. Tung  
*Attorney, Agent, or Firm*—Blakely, Sokoloff, Taylor & Zafman LLP

[73] Assignee: **Allflex USA, Inc.**, Dallas, Tex.

[\*\*] Term: **14 Years**

### [57] CLAIM

[21] Appl. No.: **29/087,581**

The ornamental design for a portable handheld scanning device, as shown.

[22] Filed: **May 6, 1998**

### DESCRIPTION

[51] **LOC (6) Cl.** ..... **14-02**

[52] **U.S. Cl.** ..... **D14/116**

[58] **Field of Search** ..... D14/100, 107, D14/114, 116; D19/41-51; 235/375, 378, 385, 454, 462, 472, 486; 382/312-15, 321, 318-9; 250/203.1, 216; D26/37, 45, 50

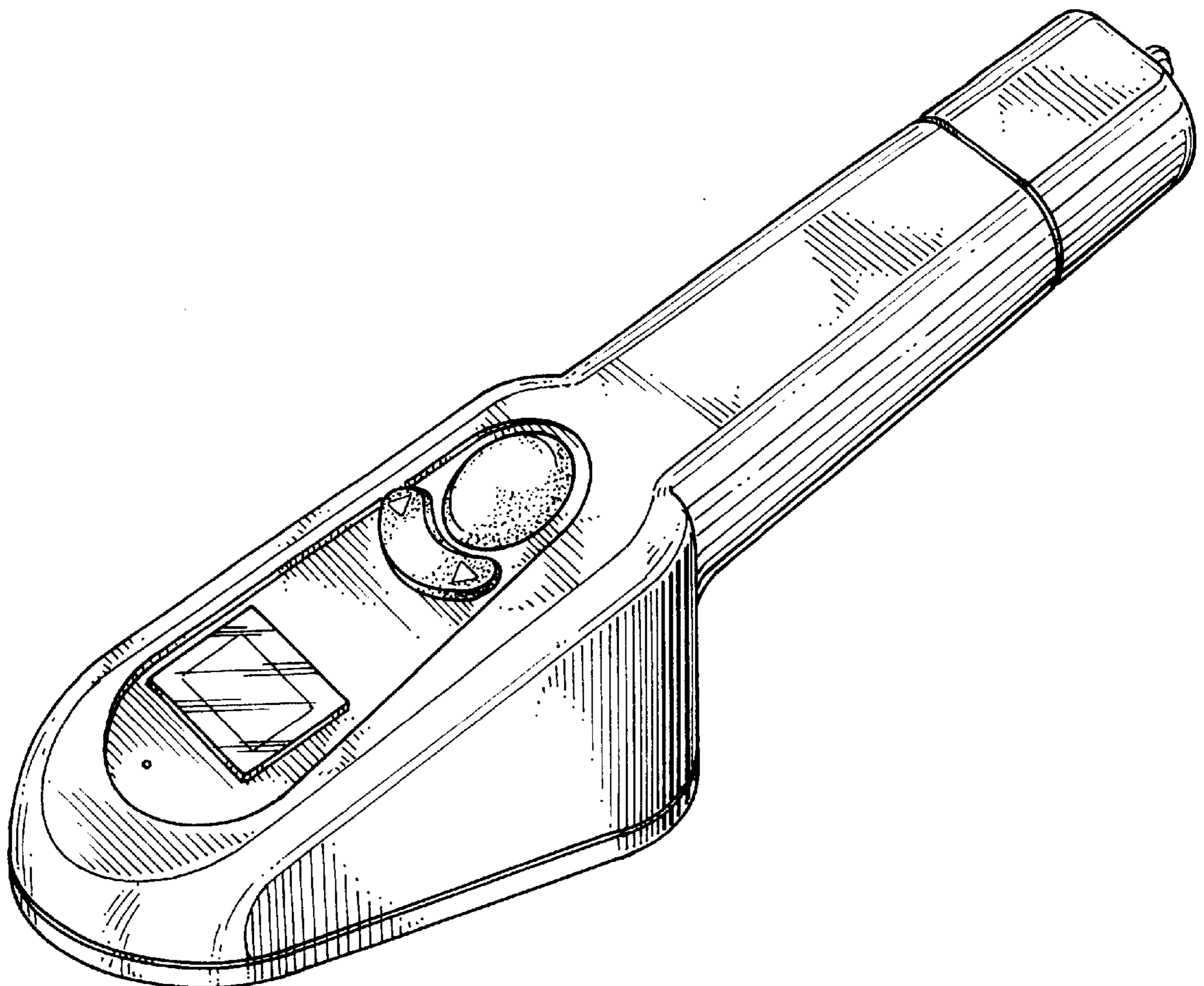
FIG. 1 is a perspective view showing the front, top and left side of our design on an enlarged scale relative to FIGS. 3-7; FIG. 2 is a perspective view showing the rear, bottom and right side thereof on an enlarged scale relative to FIGS. 3-7; FIG. 3 is a top plan view thereof; FIG. 4 is a right side elevation view thereof, the left side being a mirror image; FIG. 5 is a bottom plan view thereof; FIG. 6 is a front elevation view thereof; and, FIG. 7 is a rear elevation view thereof.

### [56] References Cited

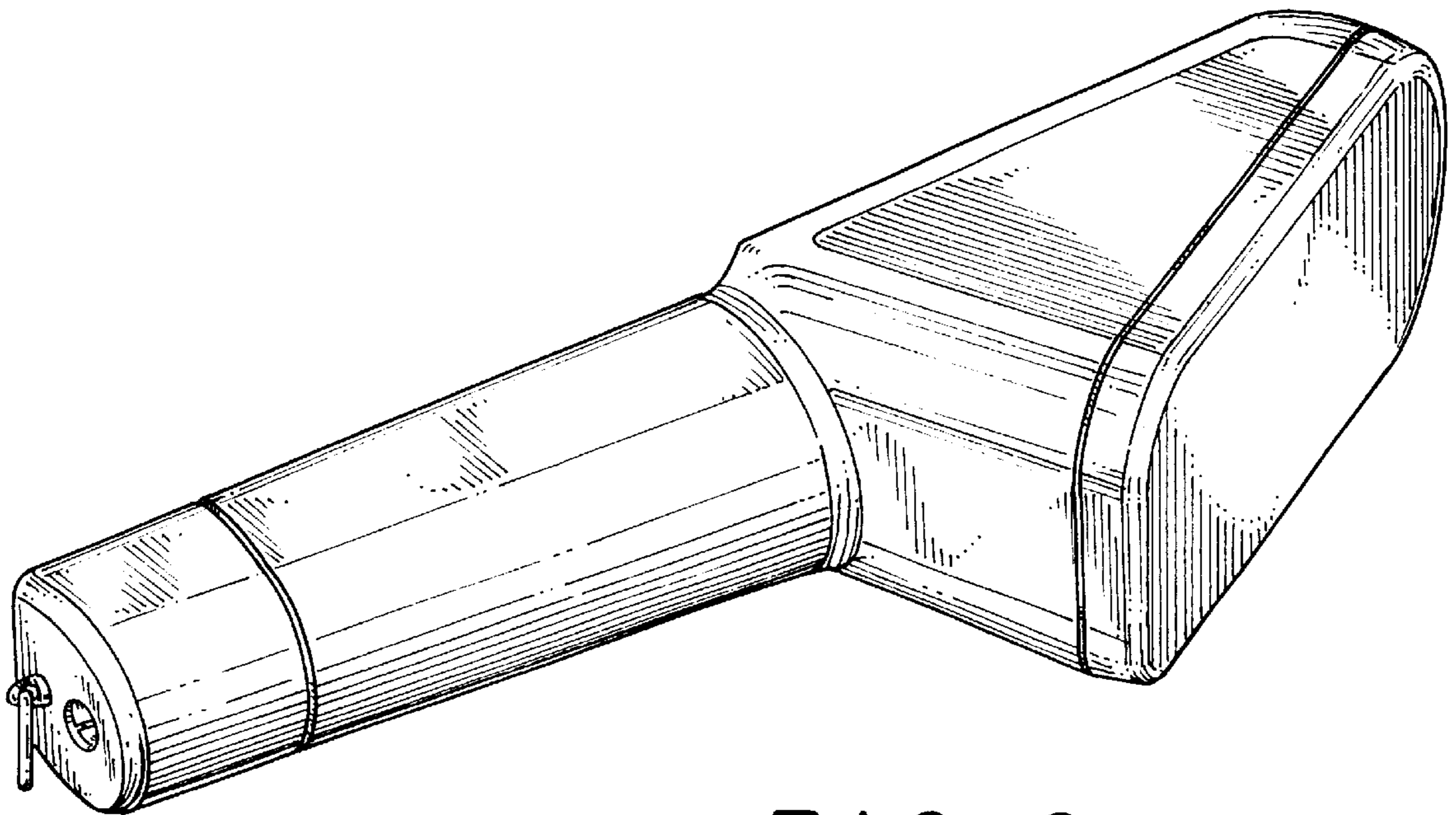
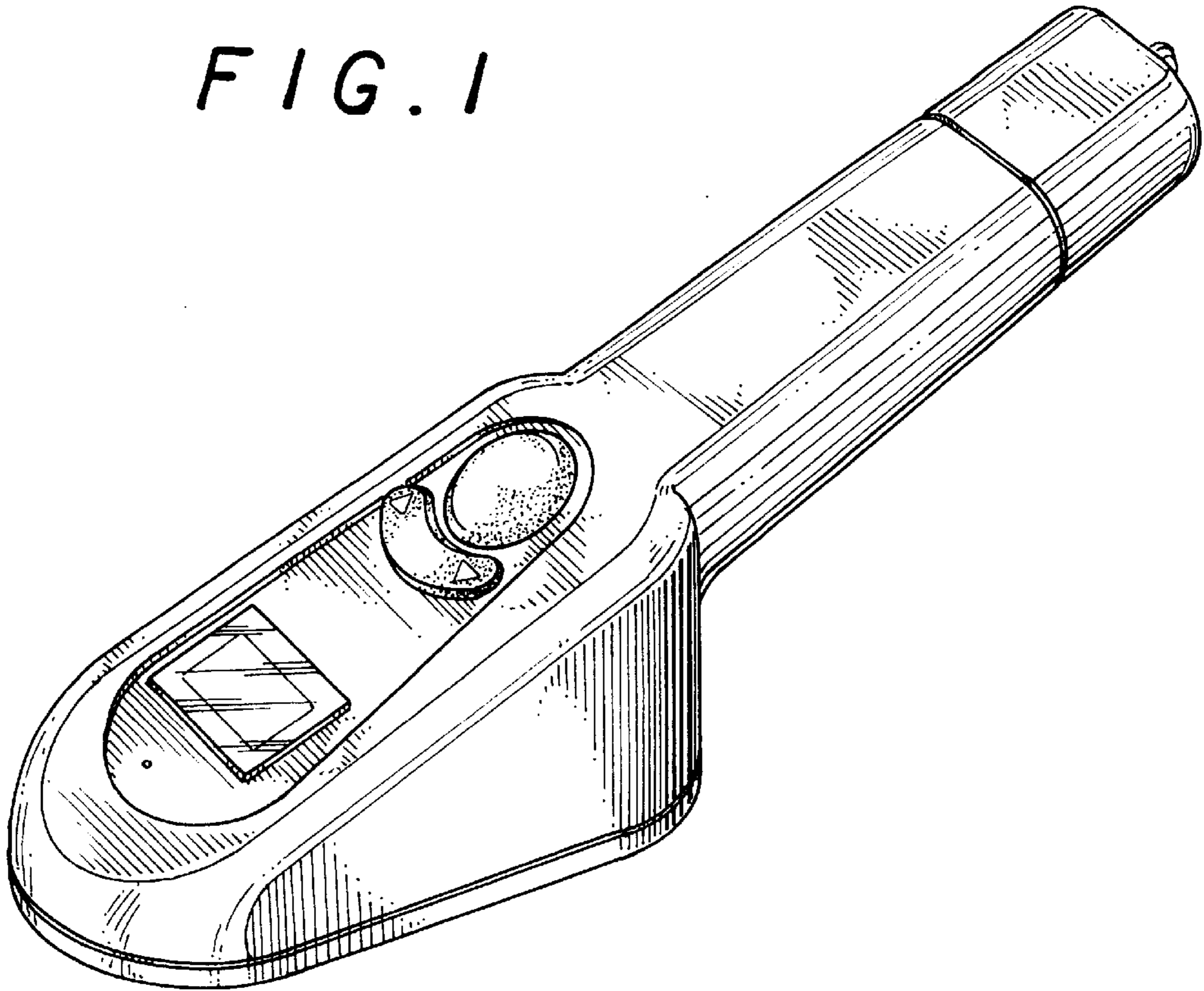
#### U.S. PATENT DOCUMENTS

D. 317,154 5/1991 Allgeier ..... D14/116  
D. 319,824 9/1991 Riddiford ..... D14/116  
D. 351,392 10/1994 Bridges ..... D14/116

**1 Claim, 3 Drawing Sheets**

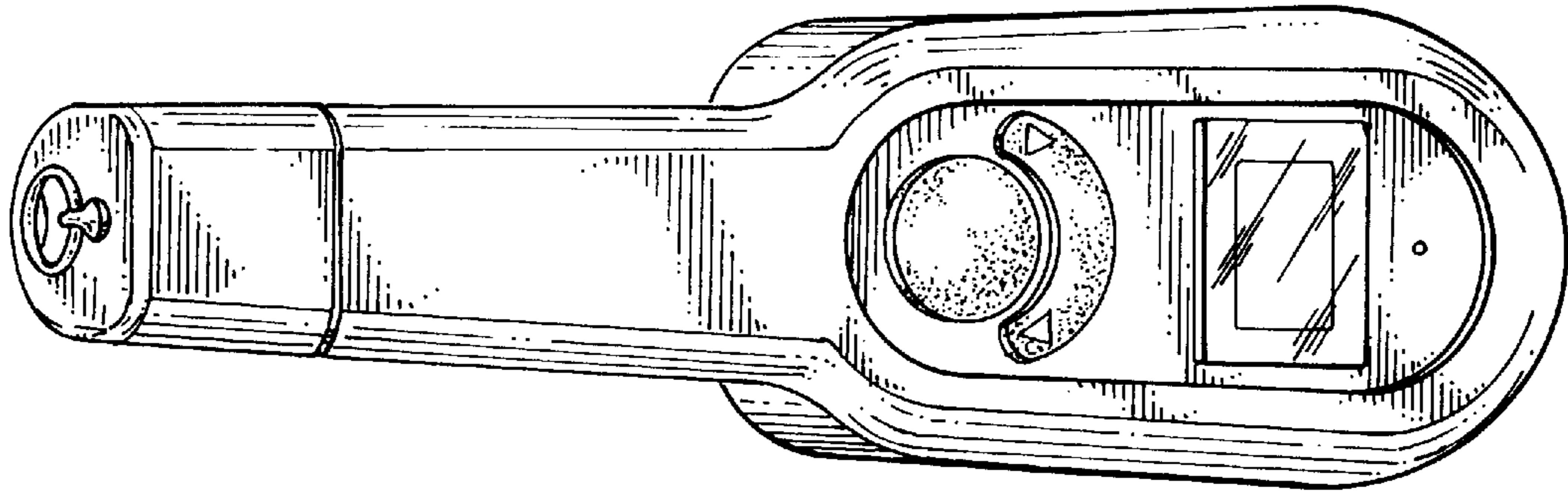


*FIG. 1*

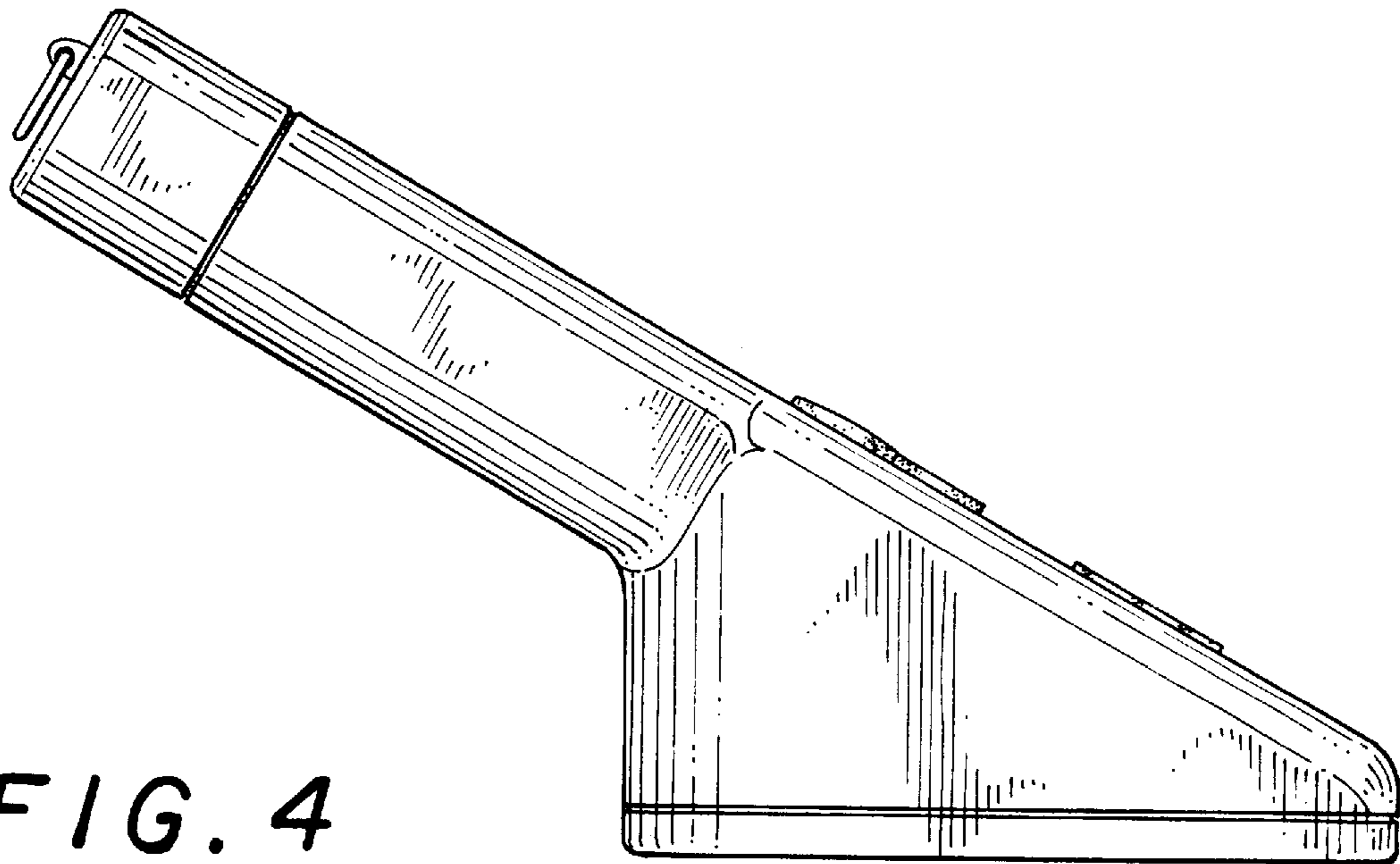


*FIG. 2*

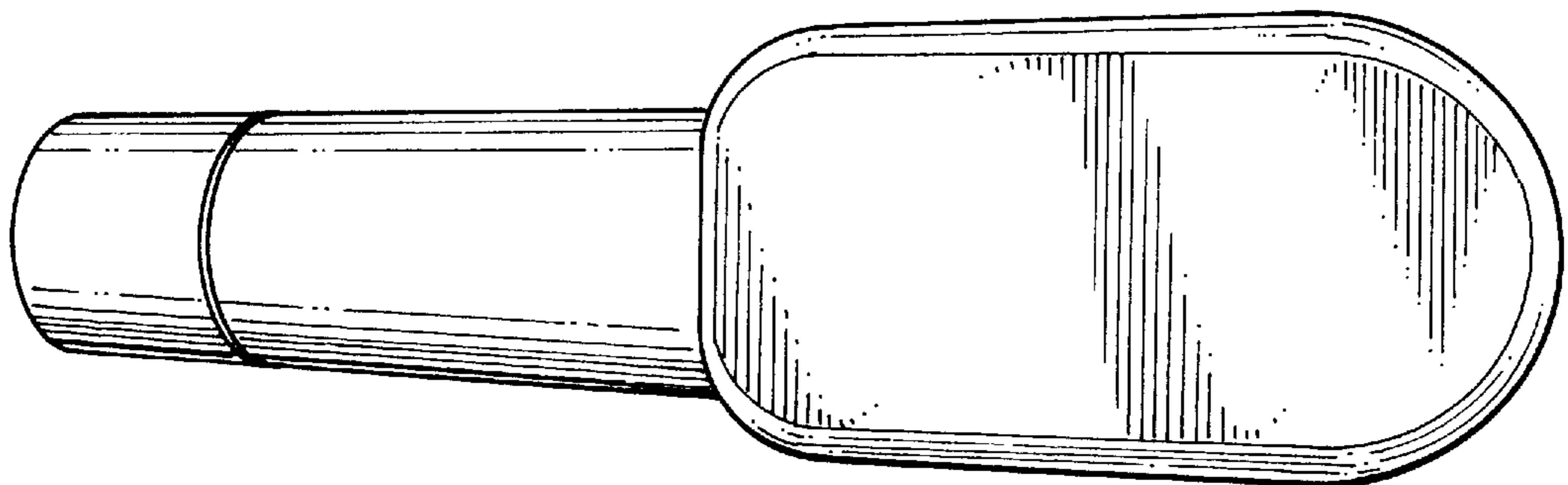




*FIG. 3*



*FIG. 4*



*FIG. 5*

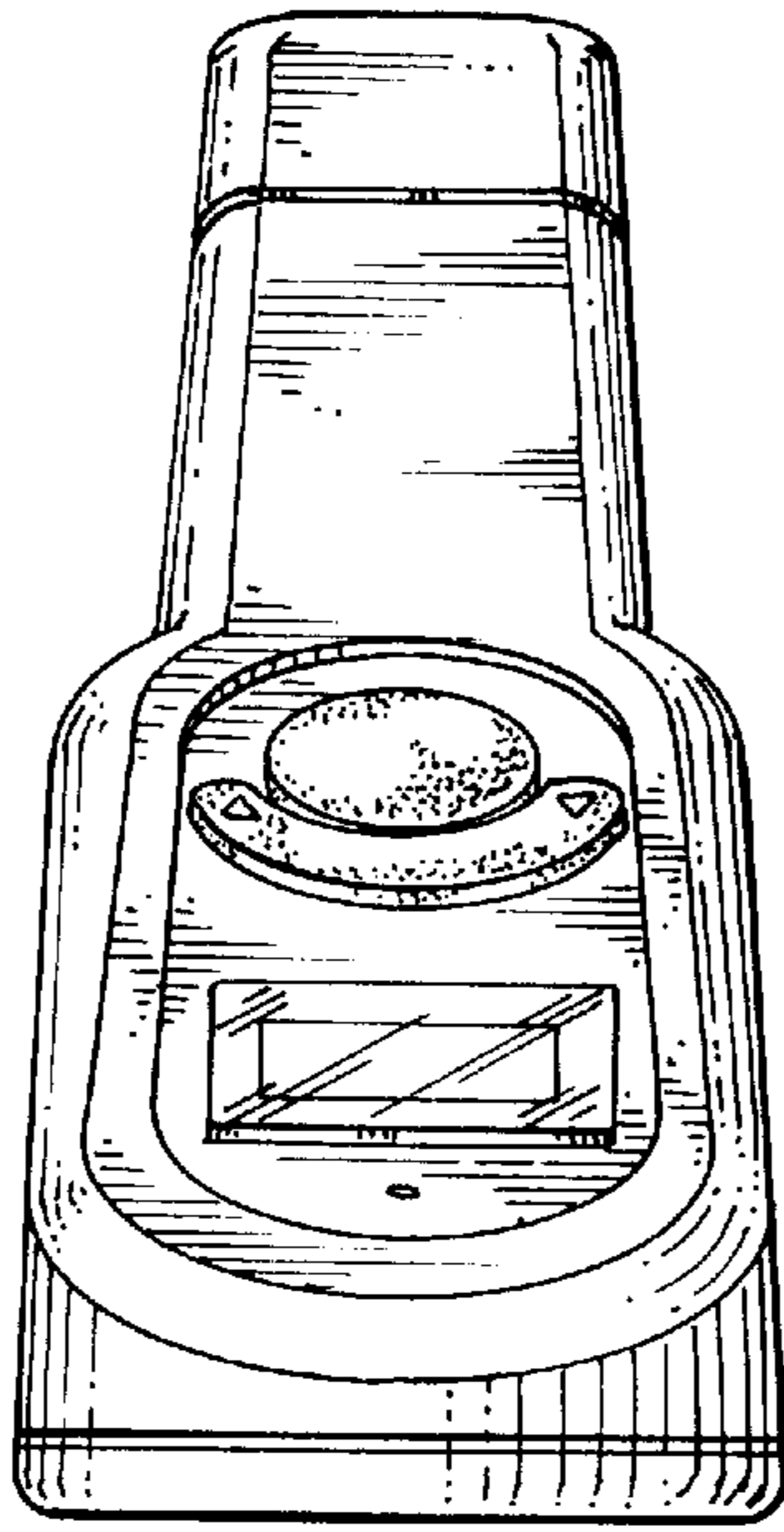


FIG. 6

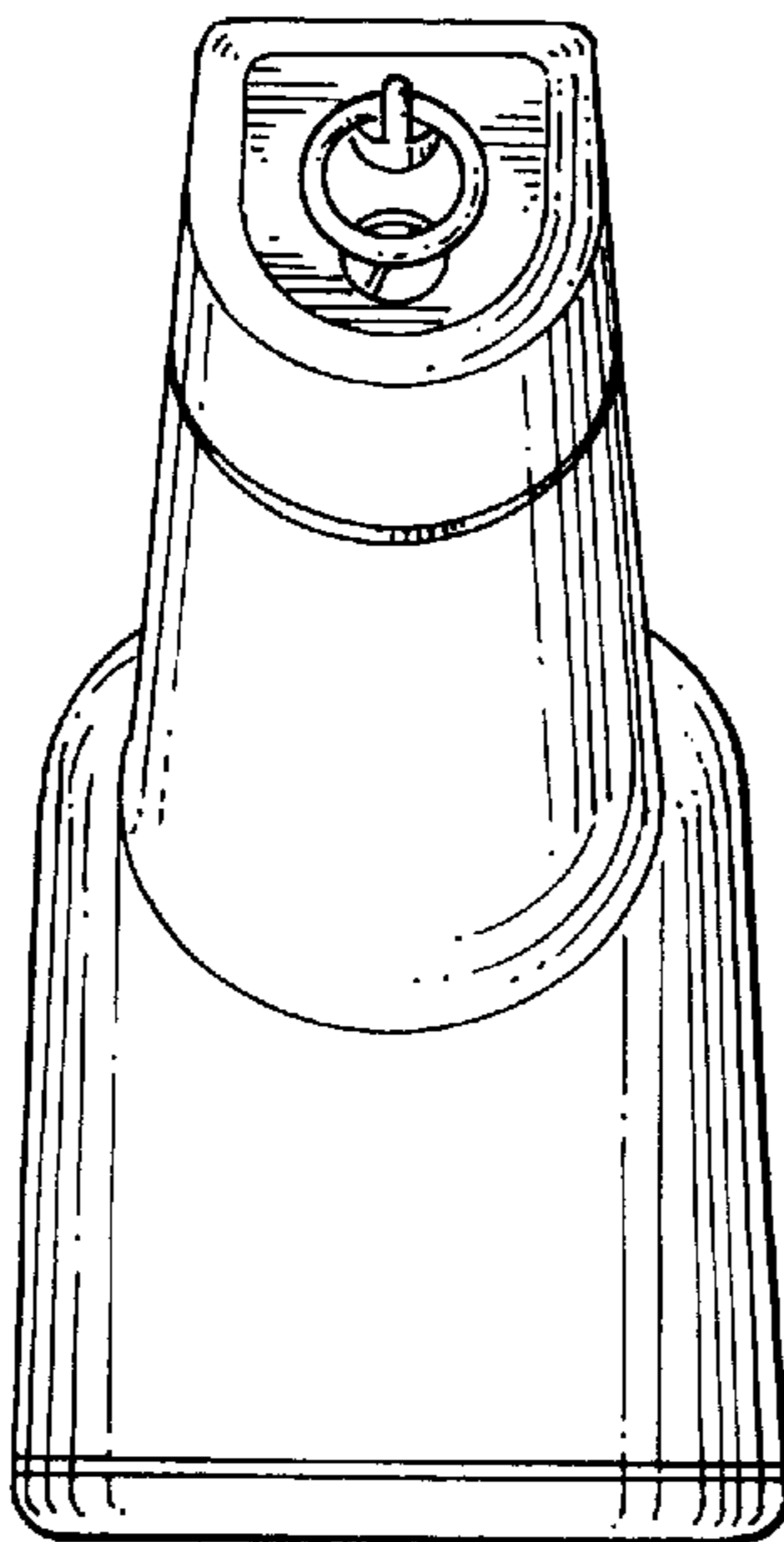


FIG. 7