



US00D416880S

United States Patent [19]

Fu

[11] **Patent Number: Des. 416,880**

[45] **Date of Patent: ** *Nov. 23, 1999**

[54] **PERSONAL COMPUTER FRONT PANEL**

[75] Inventor: **Richard C. Y. Fu**, Cerritos, Calif.

[73] Assignee: **Hon Hai Precision Ind. Co., Ltd.**,
Taipei Hsien, Taiwan

[*] Notice: This patent is subject to a terminal disclaimer.

[**] Term: **14 Years**

[21] Appl. No.: **29/077,575**

[22] Filed: **Oct. 6, 1997**

[51] **LOC (6) Cl.** **14-02**

[52] **U.S. Cl.** **D14/115**

[58] **Field of Search** D14/100, 107,
D14/109, 114; D13/162, 184, 199; 312/208.1;
360/99.12; 361/690-96; D6/432, 445, 448

[56] **References Cited**

U.S. PATENT DOCUMENTS

D. 294,579 3/1988 Kirpluk et al. D14/114

D. 378,515	3/1997	Senshiki	D14/100
D. 381,639	7/1997	Fraquelli et al.	D14/100
D. 382,549	8/1997	Yoshimoto	D14/114
D. 384,943	10/1997	Brezovar	D14/100
D. 386,752	11/1997	Han	D14/100
D. 389,812	1/1998	Yoda	D14/100
D. 396,462	7/1998	Fu	D14/115

Primary Examiner—M. H. Tung

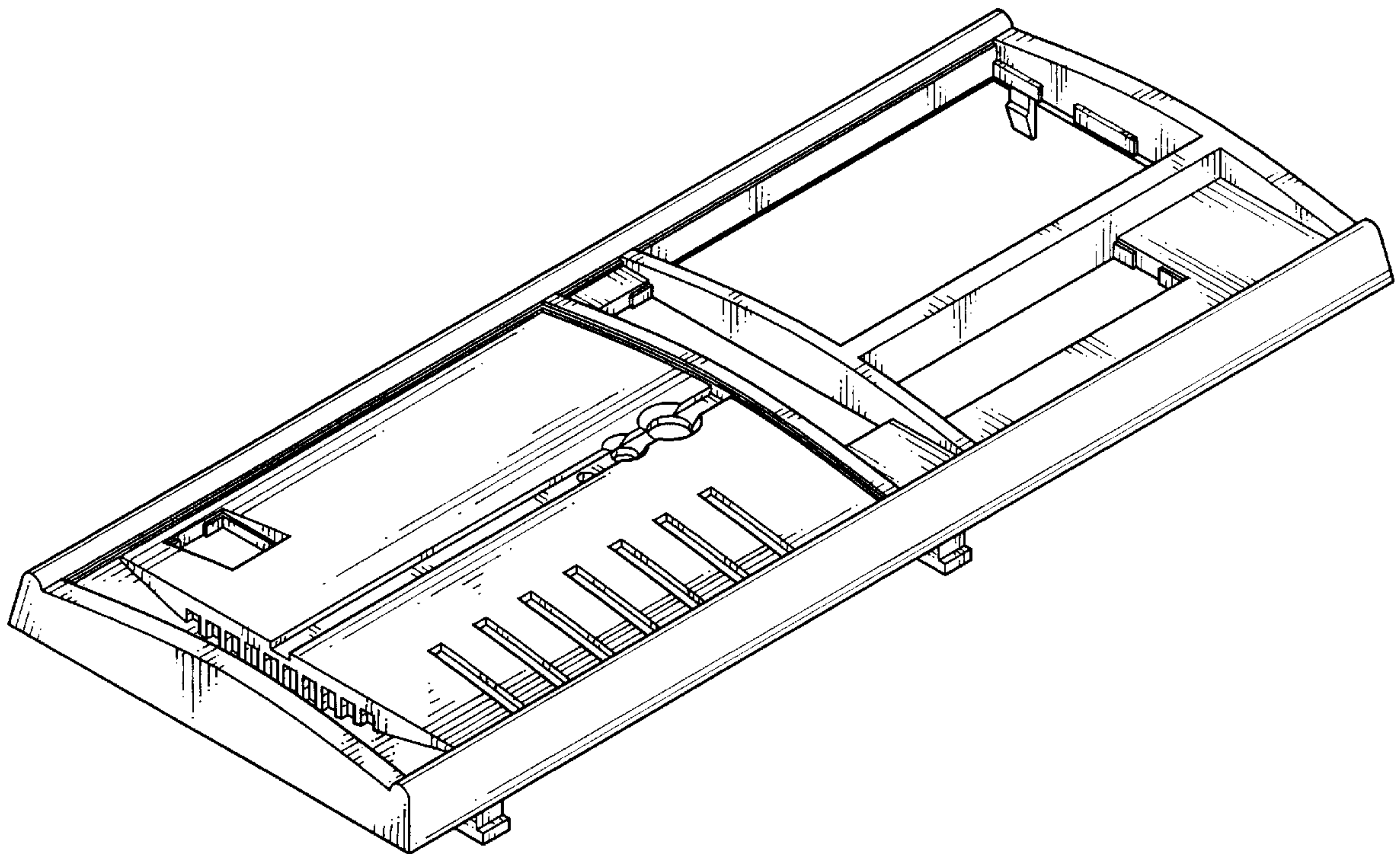
[57] **CLAIM**

The ornamental design for a personal computer front panel, as shown and described.

DESCRIPTION

FIG. 1 is a perspective view of a personal computer front panel showing my new design, on a reduced scale; FIG. 2 is a front elevational view thereof; FIG. 3 is a rear elevational view thereof; FIG. 4 is a right side elevational view thereof; FIG. 5 is a left side elevational view thereof; FIG. 6 is a top plan view thereof; and, FIG. 7 is a bottom plan view thereof.

1 Claim, 7 Drawing Sheets



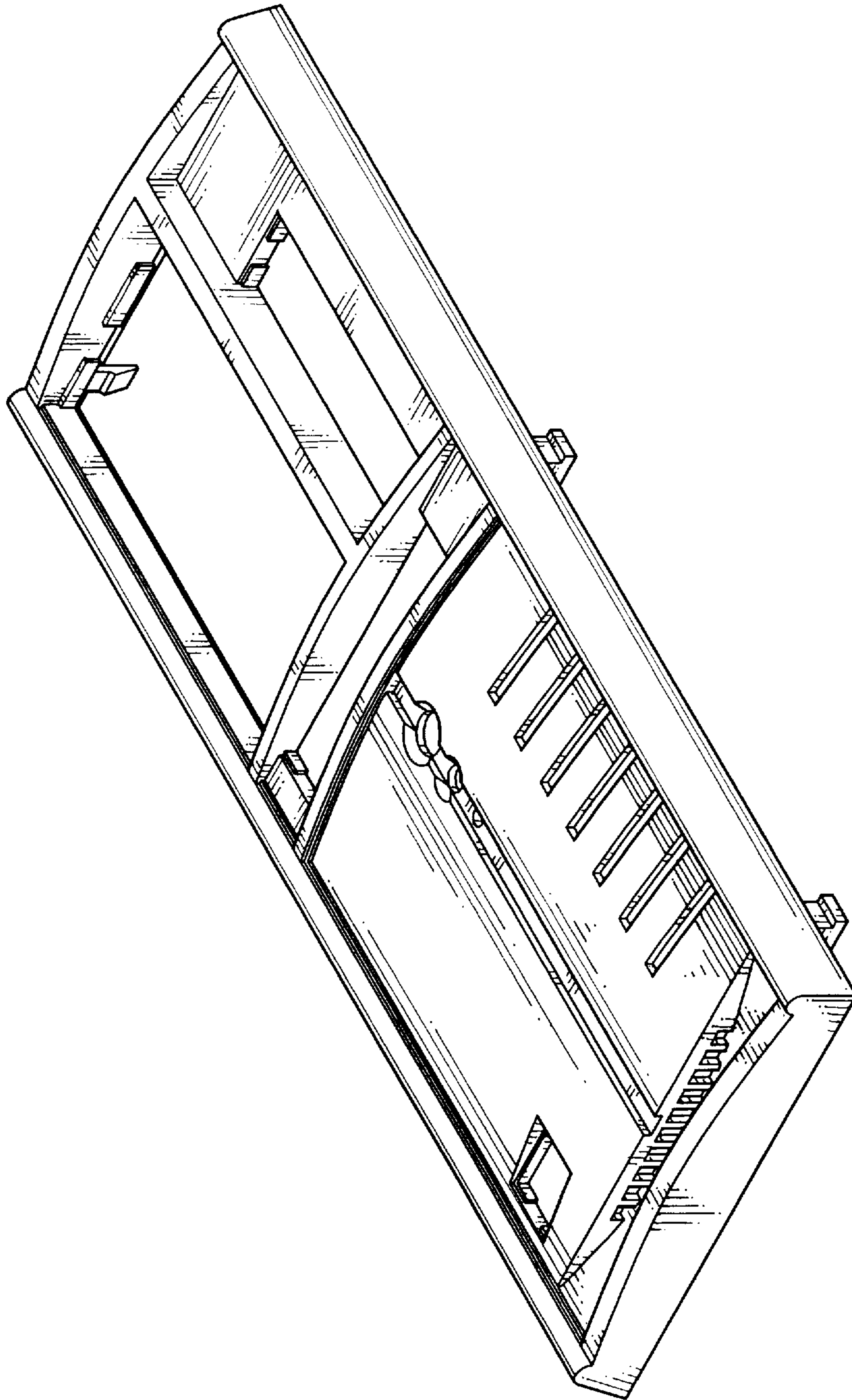


FIG.1

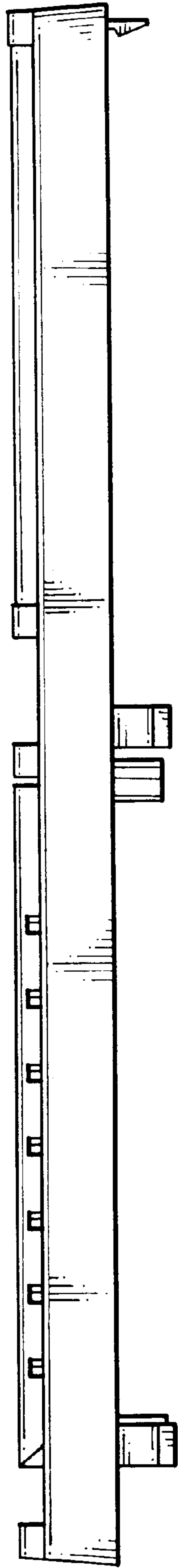


FIG. 2

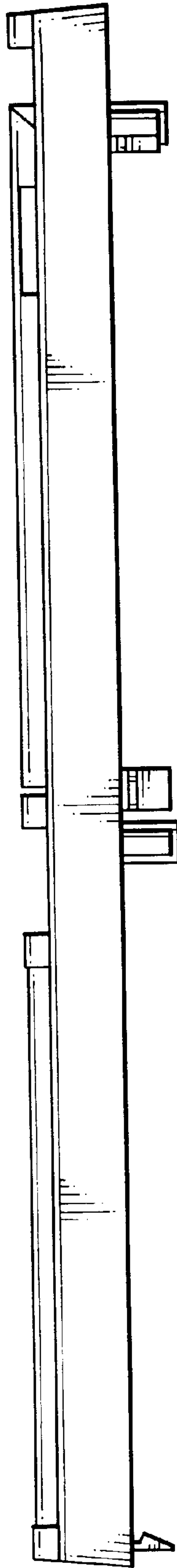


FIG. 3

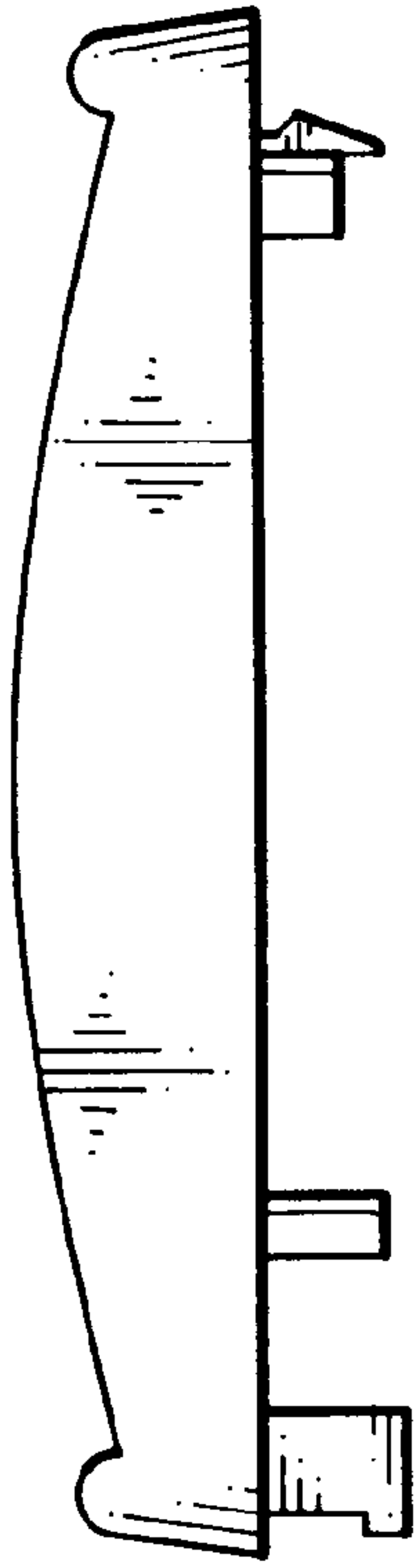


FIG. 4

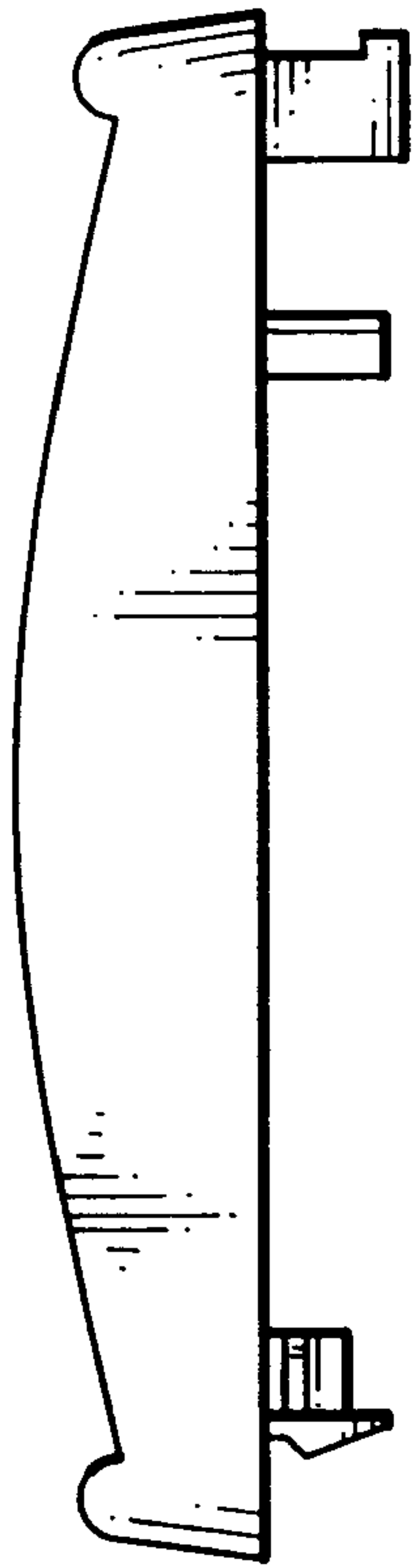


FIG. 5

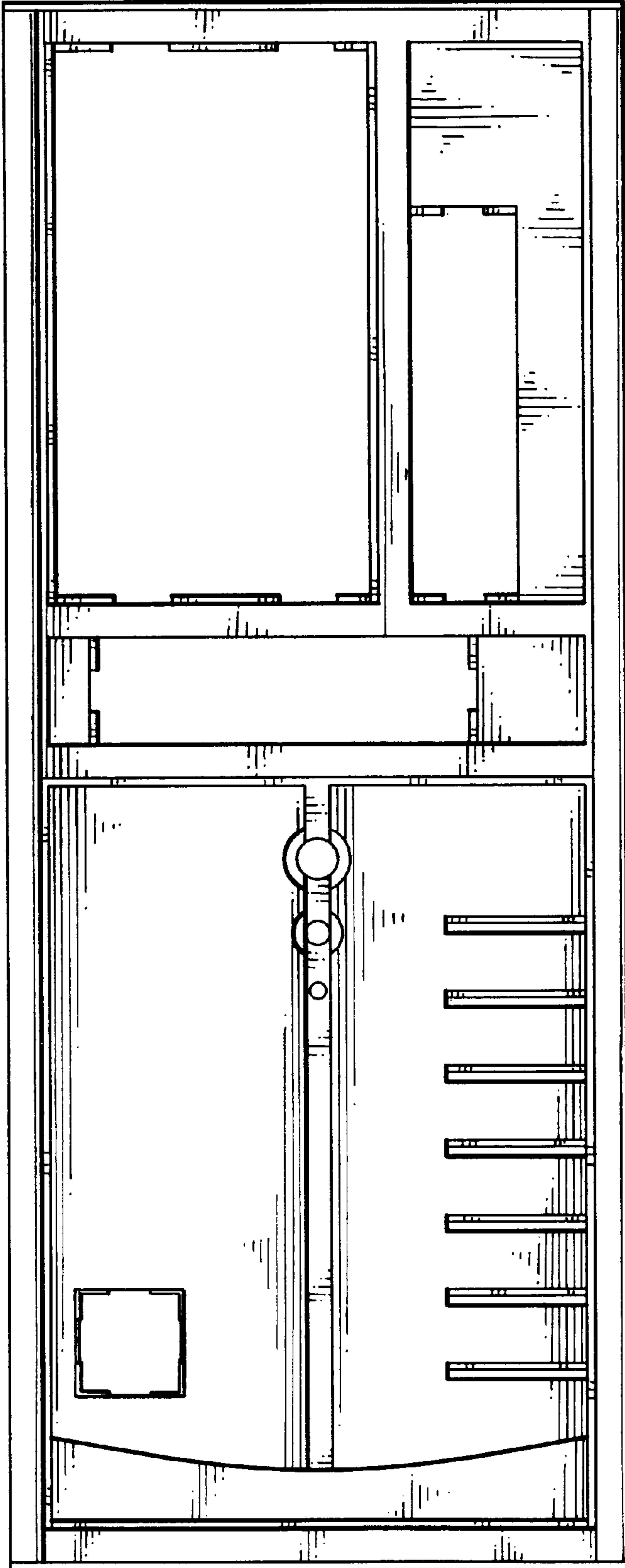


FIG.6

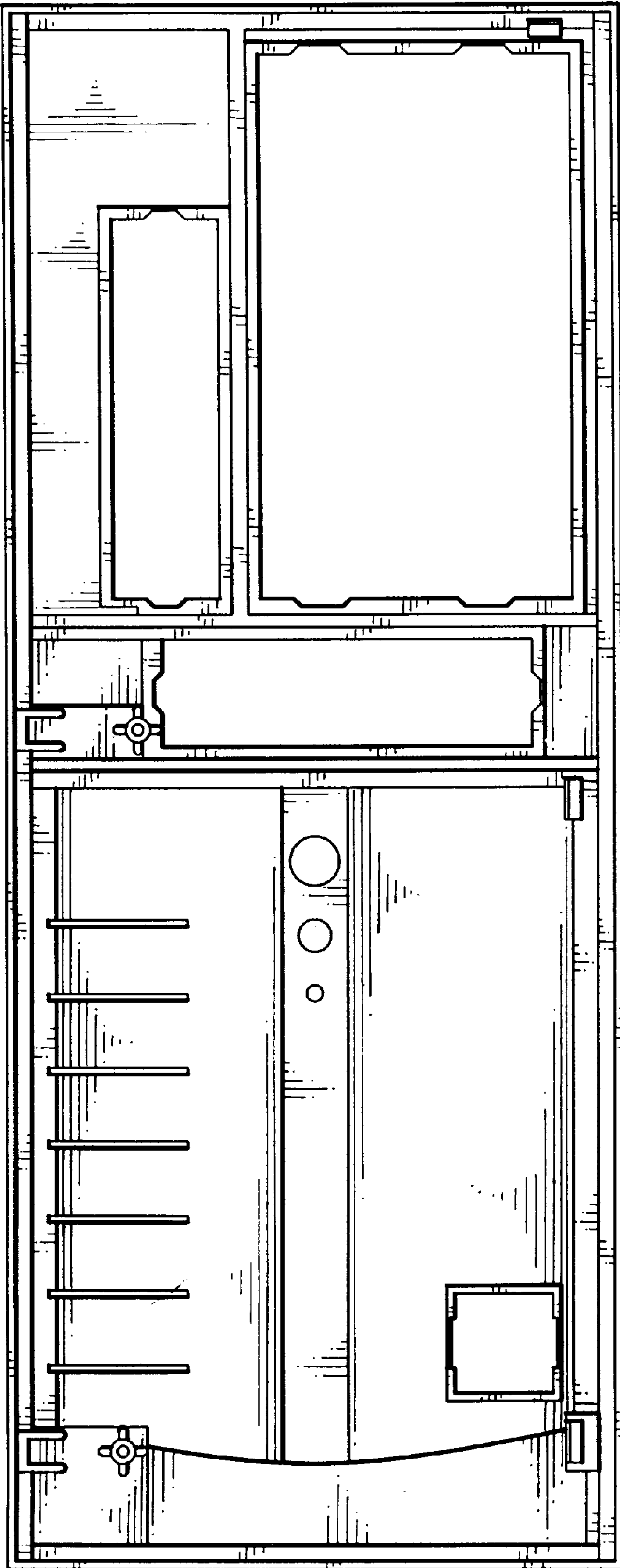


FIG. 7