



US00D416875S

United States Patent [19]

Chuo et al.

[11] Patent Number: **Des. 416,875**

[45] Date of Patent: **** *Nov. 23, 1999**

[54] **MONITOR**

D. 391,934 3/1998 Uehara et al. D14/113
D. 394,248 5/1998 Duan D14/113

[75] Inventors: **Yu-Hsin Chuo; Yu-Jing Lin**, both of Taipei, Taiwan

Primary Examiner—Freda Nunn
Attorney, Agent, or Firm—Pillsbury Madison & Sutro LLP

[73] Assignee: **Compal Electronics, Inc.**, Taipei, Taiwan

[57] **CLAIM**

[*] Notice: This patent is subject to a terminal disclaimer.

The ornamental design for a monitor, as shown and described.

[**] Term: **14 Years**

DESCRIPTION

[21] Appl. No.: **29/091,257**

FIG. 1 is a perspective view of a monitor showing my new design;

[22] Filed: **Jul. 24, 1998**

FIG. 2 is a front elevational view thereof;

[51] **LOC (6) Cl.** **14-02**

[52] **U.S. Cl.** **D14/113; D14/126**

[58] **Field of Search** D14/100, 101, D14/106, 113, 124-129; 341/12; 345/104, 133, 156, 168, 87, 173; 348/180, 184, 325, 739; 349/1, 2, 11, 62

FIG. 3 is a rear elevational view thereof;

FIG. 4 is a left side elevational view thereof;

FIG. 5 is a right side elevational view thereof;

FIG. 6 is a top plan view thereof;

FIG. 7 is a bottom plan view thereof;

FIG. 8 is a perspective view with speakers shown in broken lines; and,

FIG. 9 is another perspective view with a camera shown in broken lines.

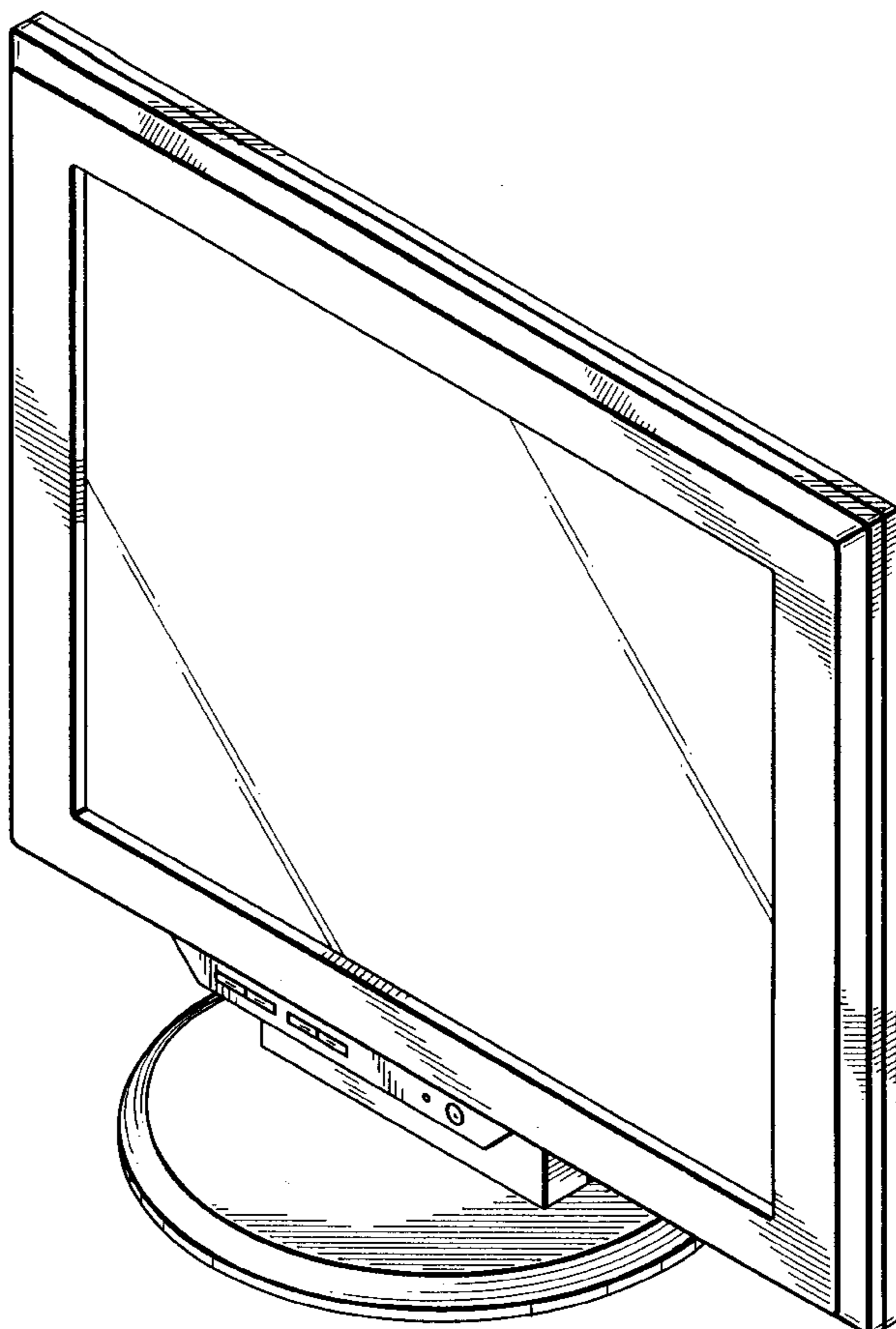
The broken lines shown in FIGS. 8 and 9 are for illustrative purposes only and form no part of the claimed design.

[56] **References Cited**

U.S. PATENT DOCUMENTS

D. 386,159 11/1997 Wakui et al. D14/113
D. 388,408 12/1997 Takemasa et al. D14/113

1 Claim, 8 Drawing Sheets



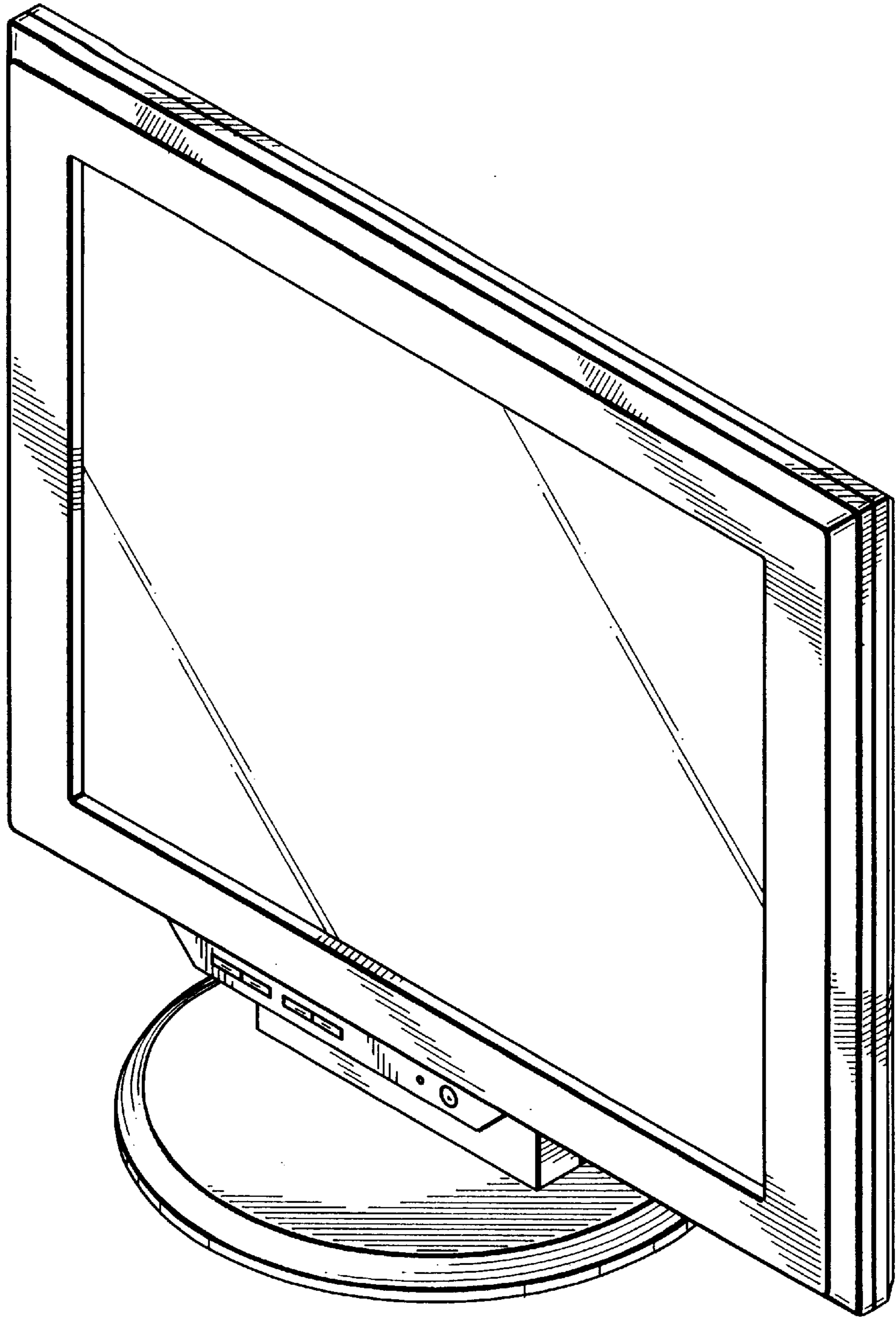


FIG. 1

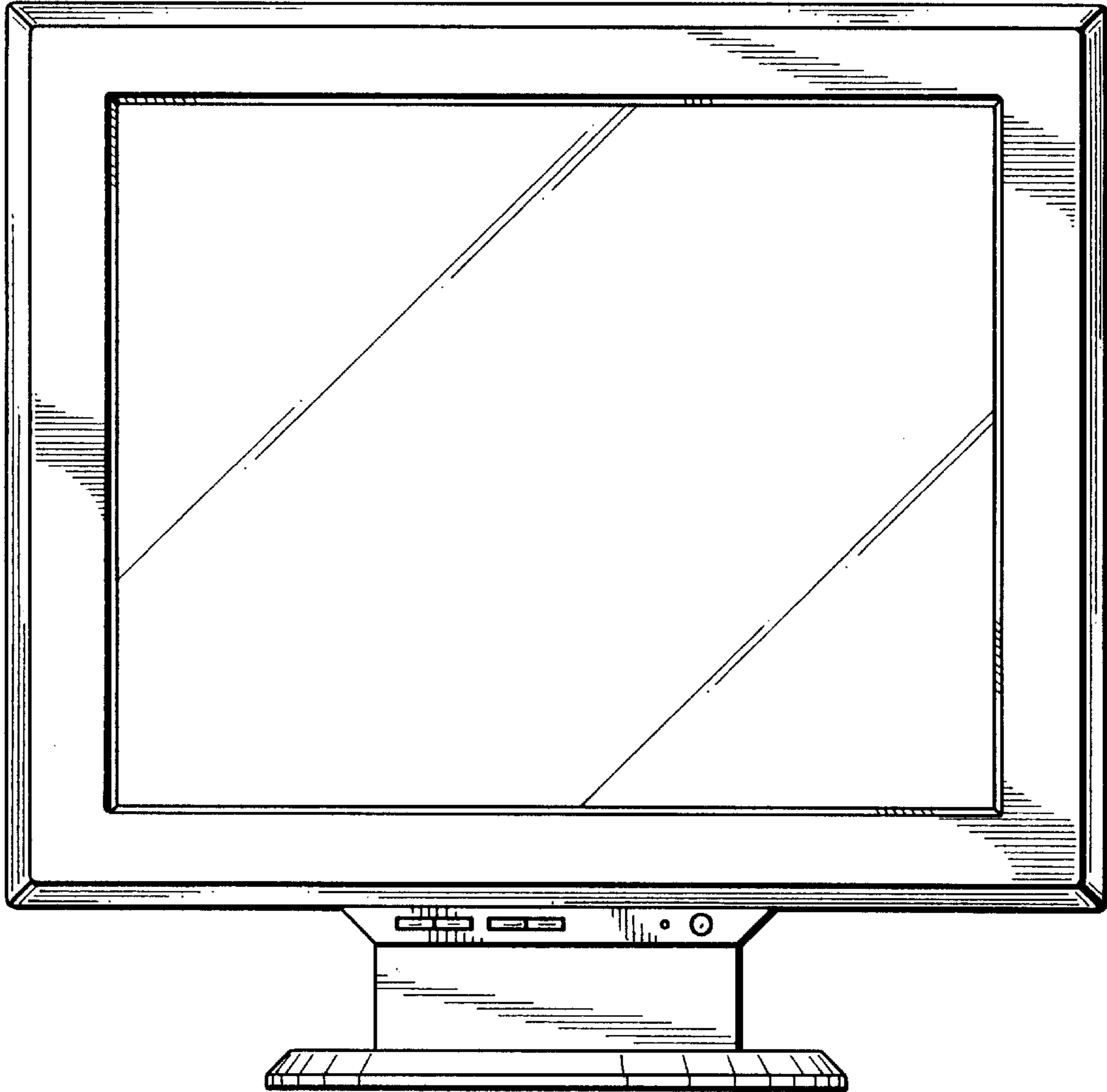


FIG. 2

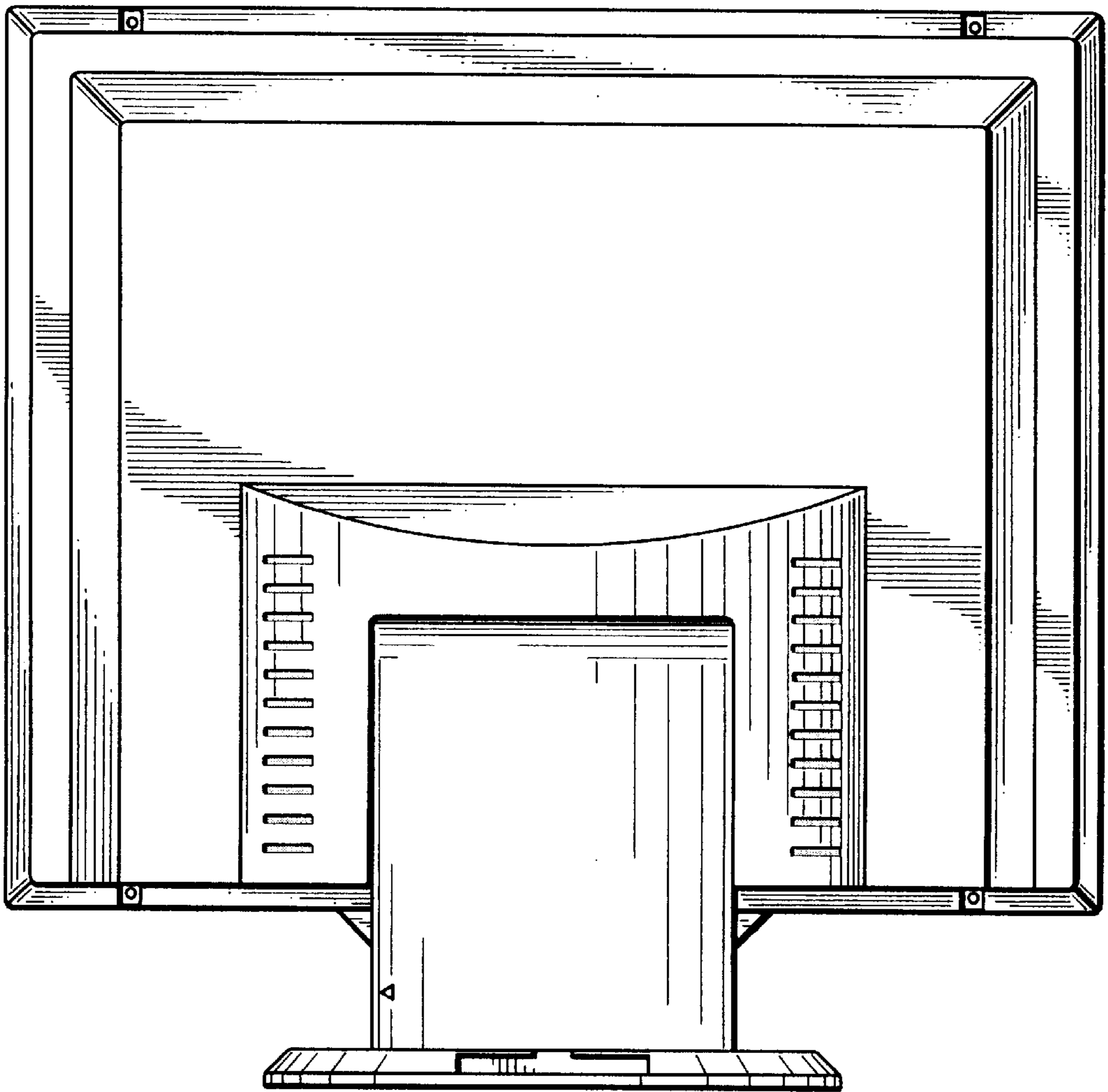


FIG. 3

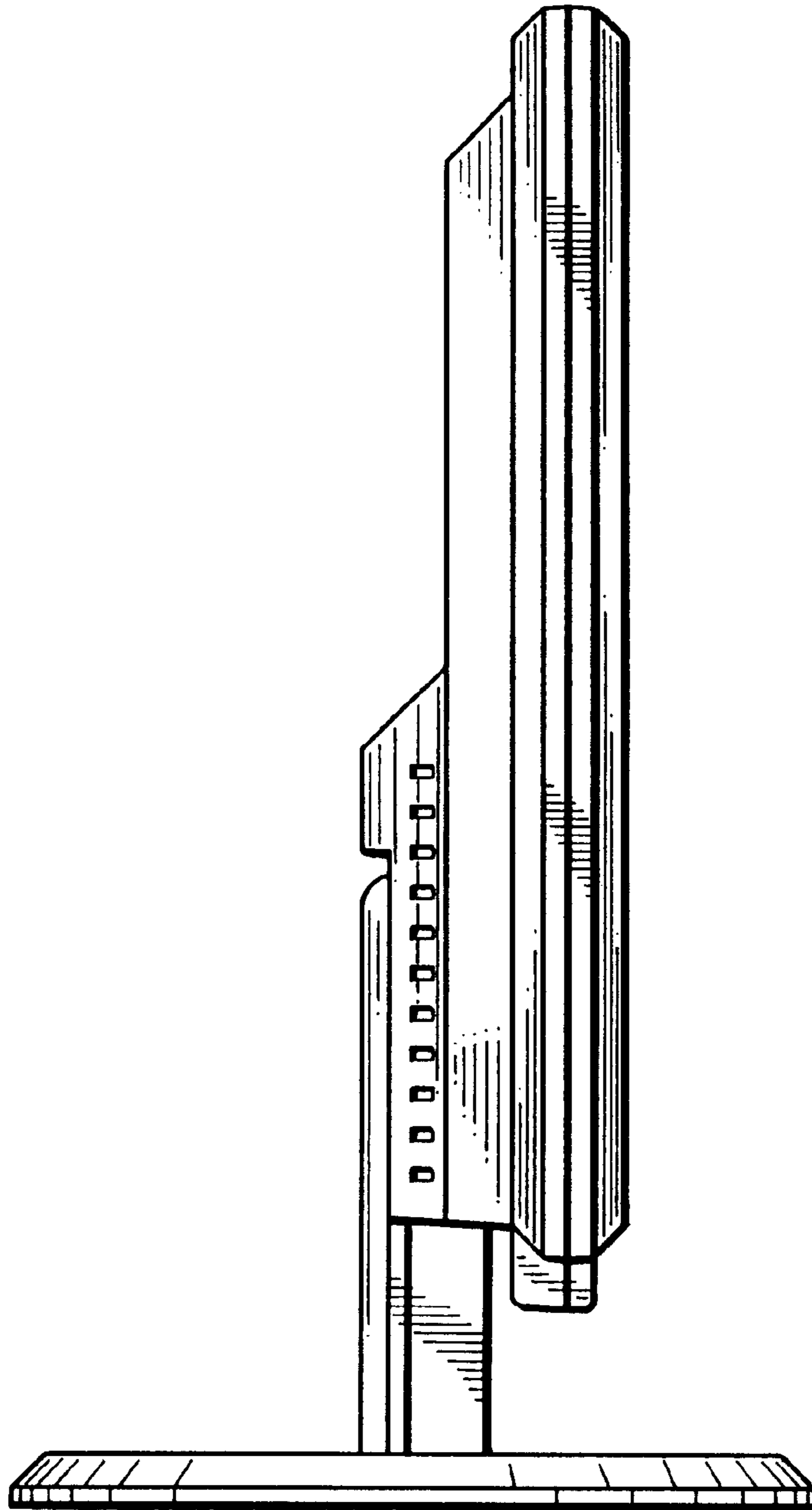


FIG. 4

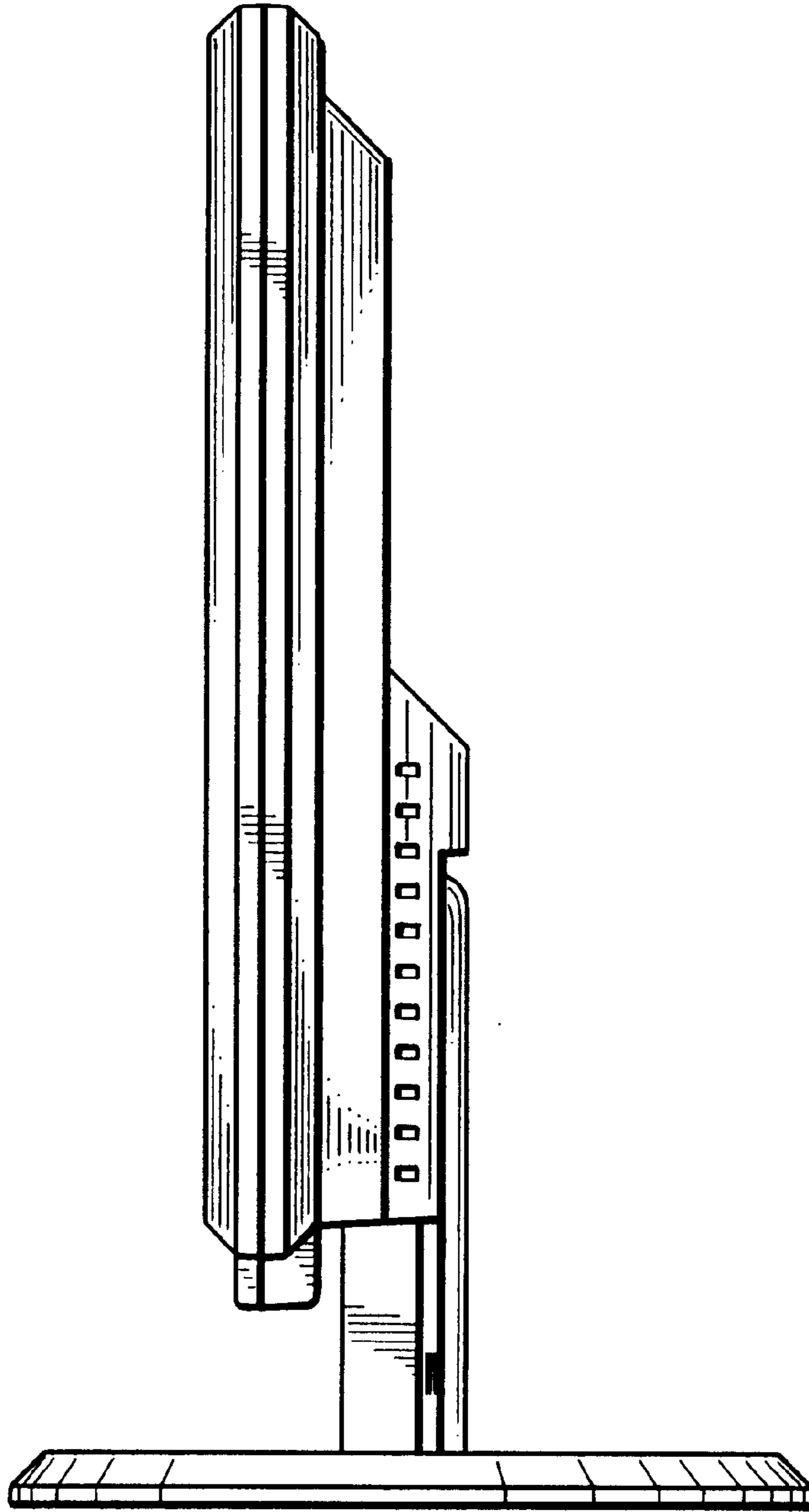


FIG. 5

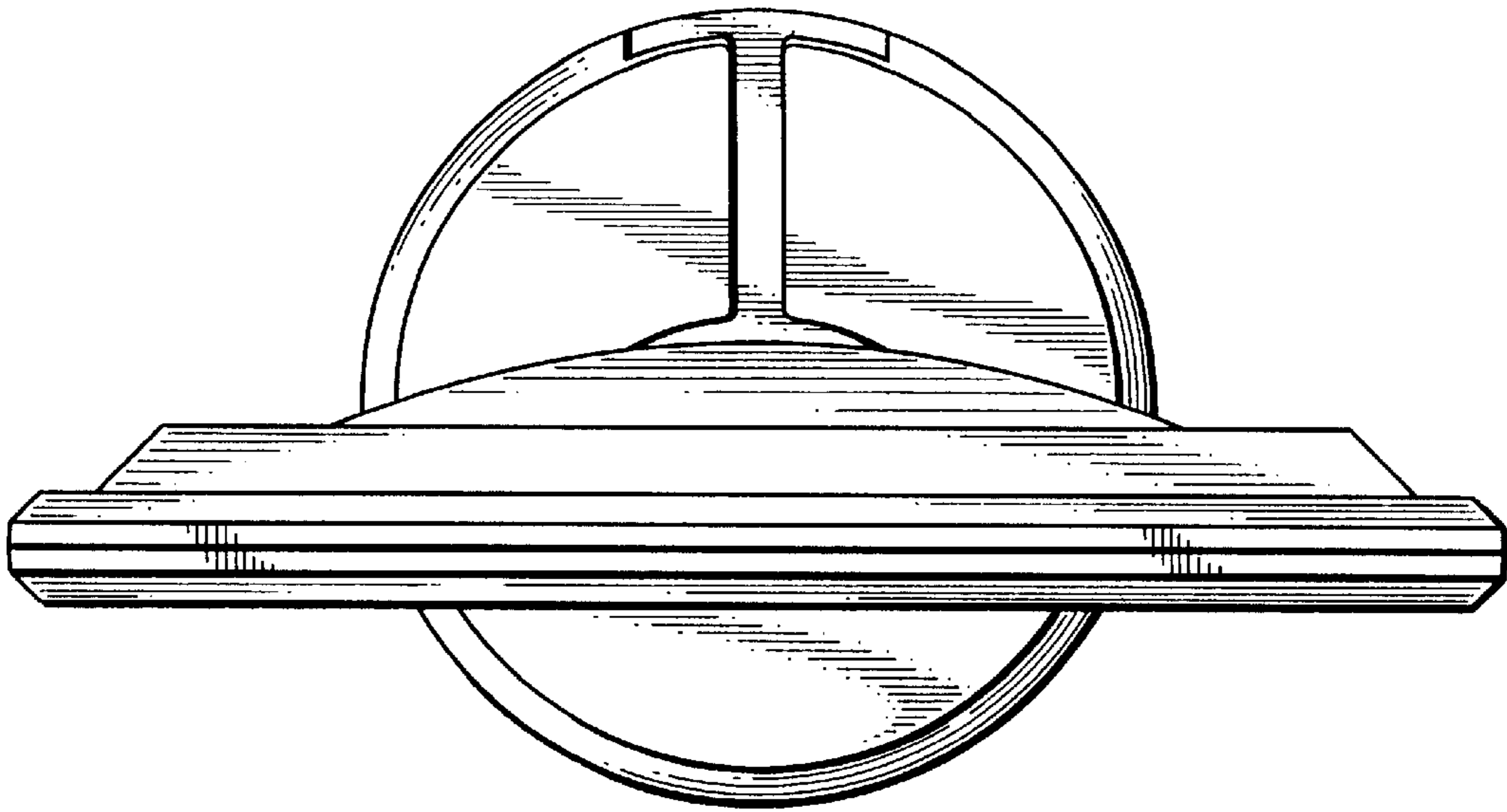


FIG. 6

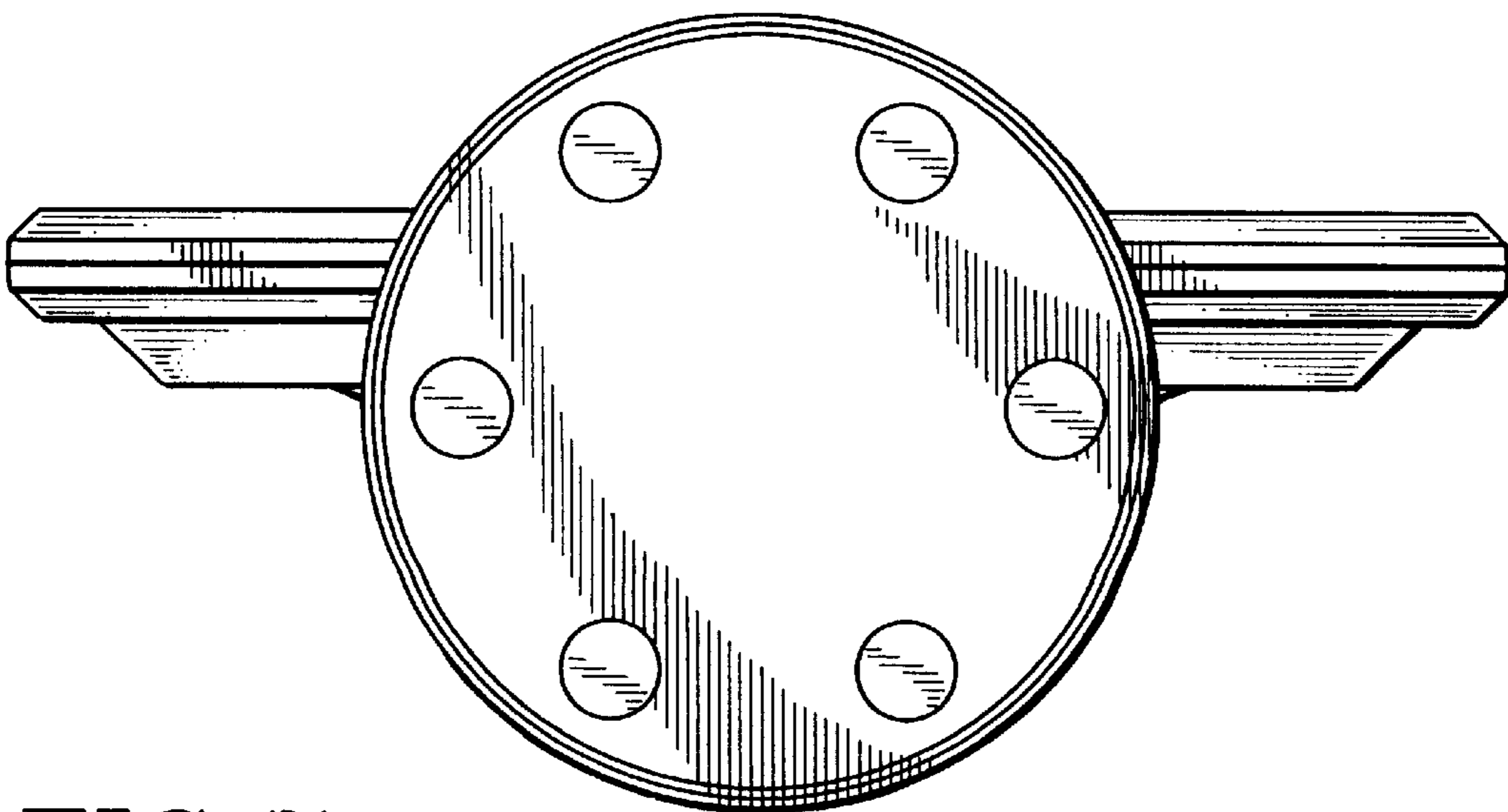


FIG. 7

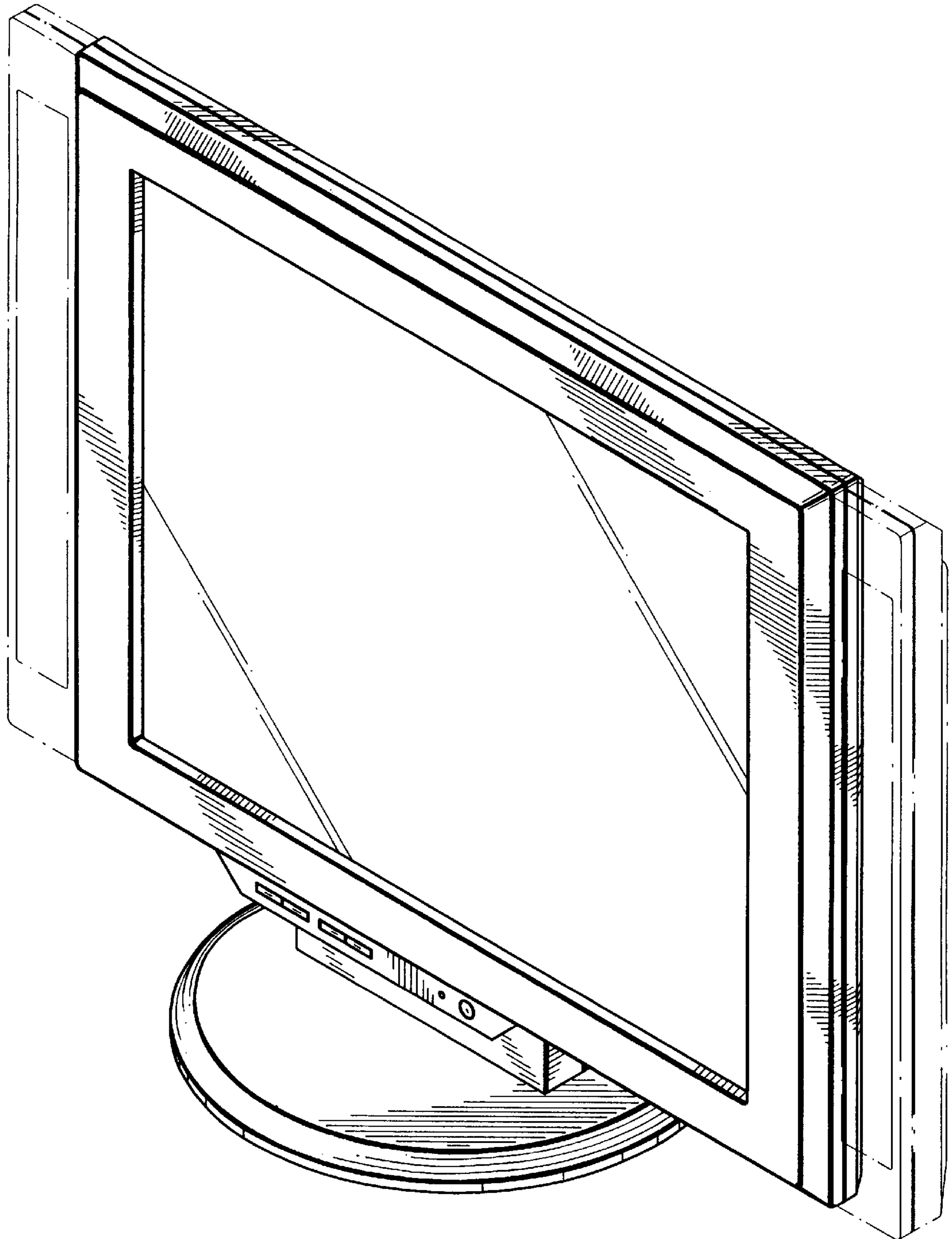


FIG. 8

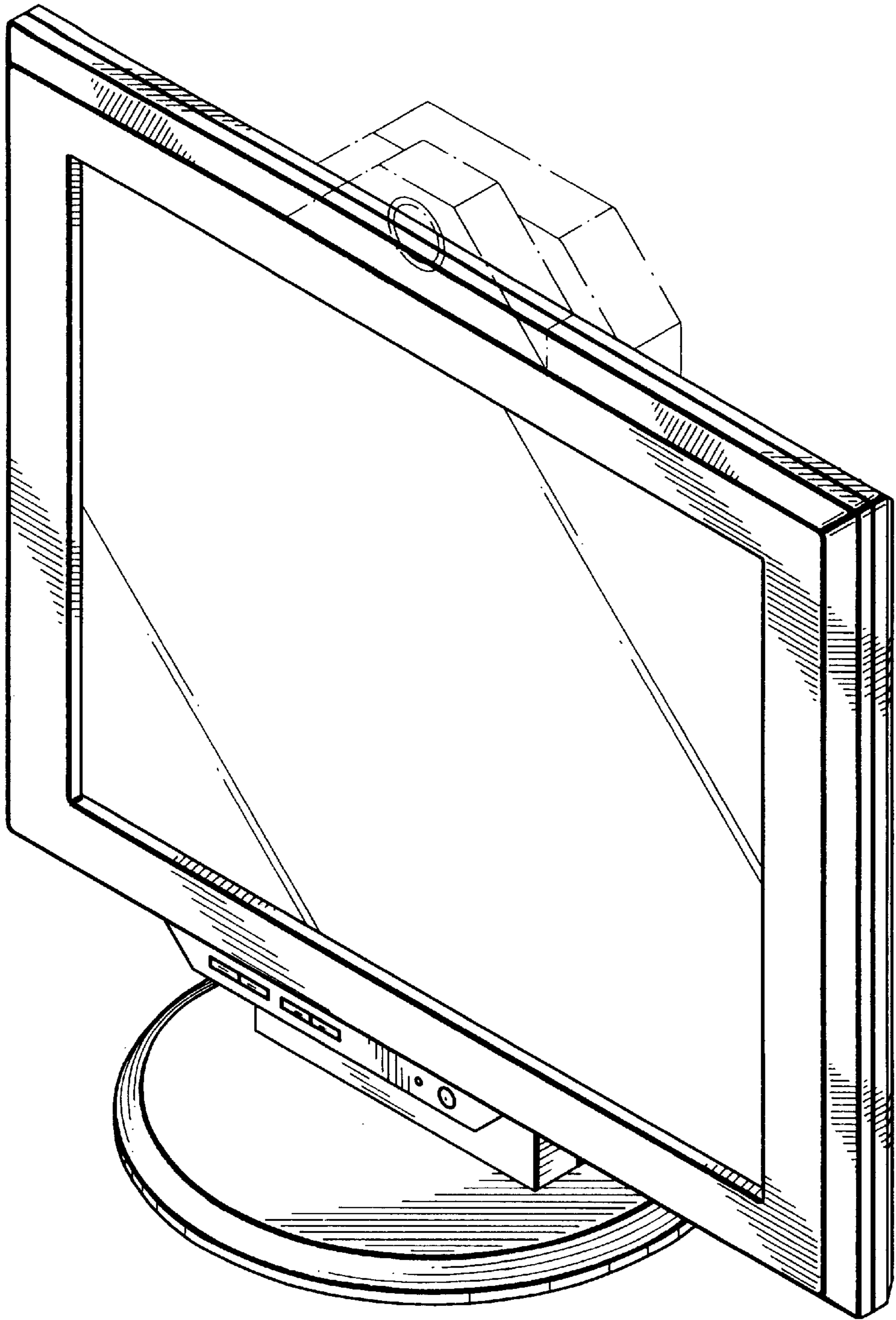


FIG. 9