



US00D416874S

United States Patent [19]

Khovaylo et al.

[11] Patent Number: **Des. 416,874**

[45] Date of Patent: **** Nov. 23, 1999**

- [54] **SCANNER PEDESTAL PORTION**
- [75] Inventors: **Modest Khovaylo; James C. Dow**,
both of Fort Collins, Colo.
- [73] Assignee: **Hewlett-Packard Company**, Palo Alto,
Calif.
- [**] Term: **14 Years**
- [21] Appl. No.: **29/075,936**
- [22] Filed: **Aug. 28, 1997**
- [51] **LOC (6) Cl.** **14-02**
- [52] **U.S. Cl.** **D14/107**
- [58] **Field of Search** D14/100, 107,
D14/118; D18/36, 37, 39; 250/556; 235/470,
476, 483, 441; 355/64, 65, 75, 81

- [56] **References Cited**
- U.S. PATENT DOCUMENTS
- D. 318,654 7/1991 Huang D14/107
- D. 340,233 10/1993 Takahashi D14/107

OTHER PUBLICATIONS

U.S. Patent Application Serial No. 29/092,525 filed Aug. 20, 1998 for Optical Scanner of Modest Khovaylo and Davin Stowell.

U.S. Patent Application Serial No. 09/154,001 filed Sep. 16, 1988 for Optical Scanner with Inclined Platen of Modest Khovaylo.

Primary Examiner—Freda Nunn

[57] CLAIM

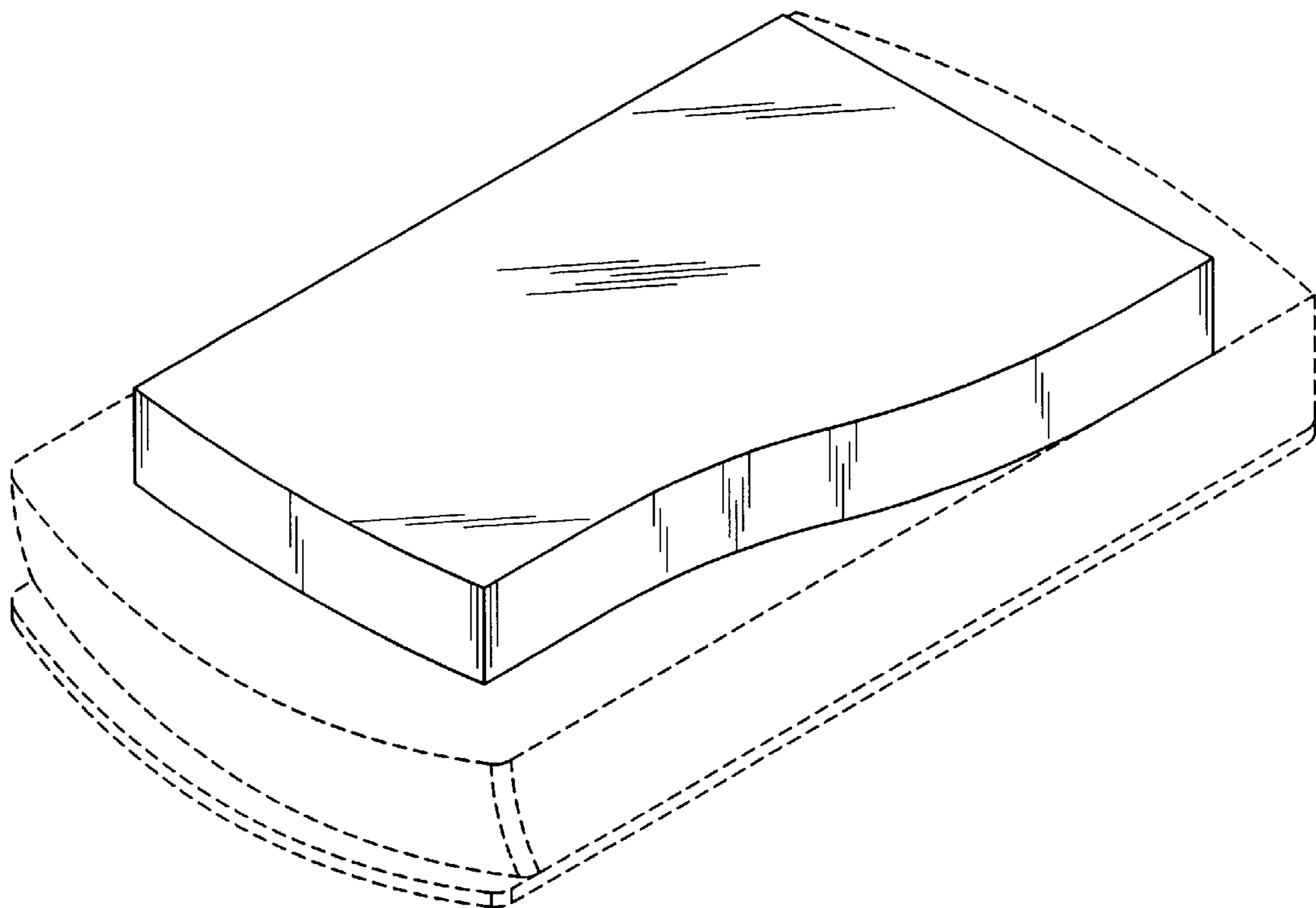
The ornamental design for a scanner pedestal portion, as shown and described.

DESCRIPTION

FIG. 1 is a bottom isometric view of a scanner pedestal portion;
 FIG. 2 is a bottom plan view of a scanner pedestal portion;
 FIG. 3 is a front elevational view of a scanner pedestal portion;
 FIG. 4 is a rear elevational view of a scanner pedestal portion;
 FIG. 5 is a left side elevational view of a scanner pedestal portion; and,
 FIG. 6 is a right side elevational view of a scanner pedestal portion.

The broken lines are shown in the views for illustrative purposes only and form no part of the claimed design.

1 Claim, 3 Drawing Sheets



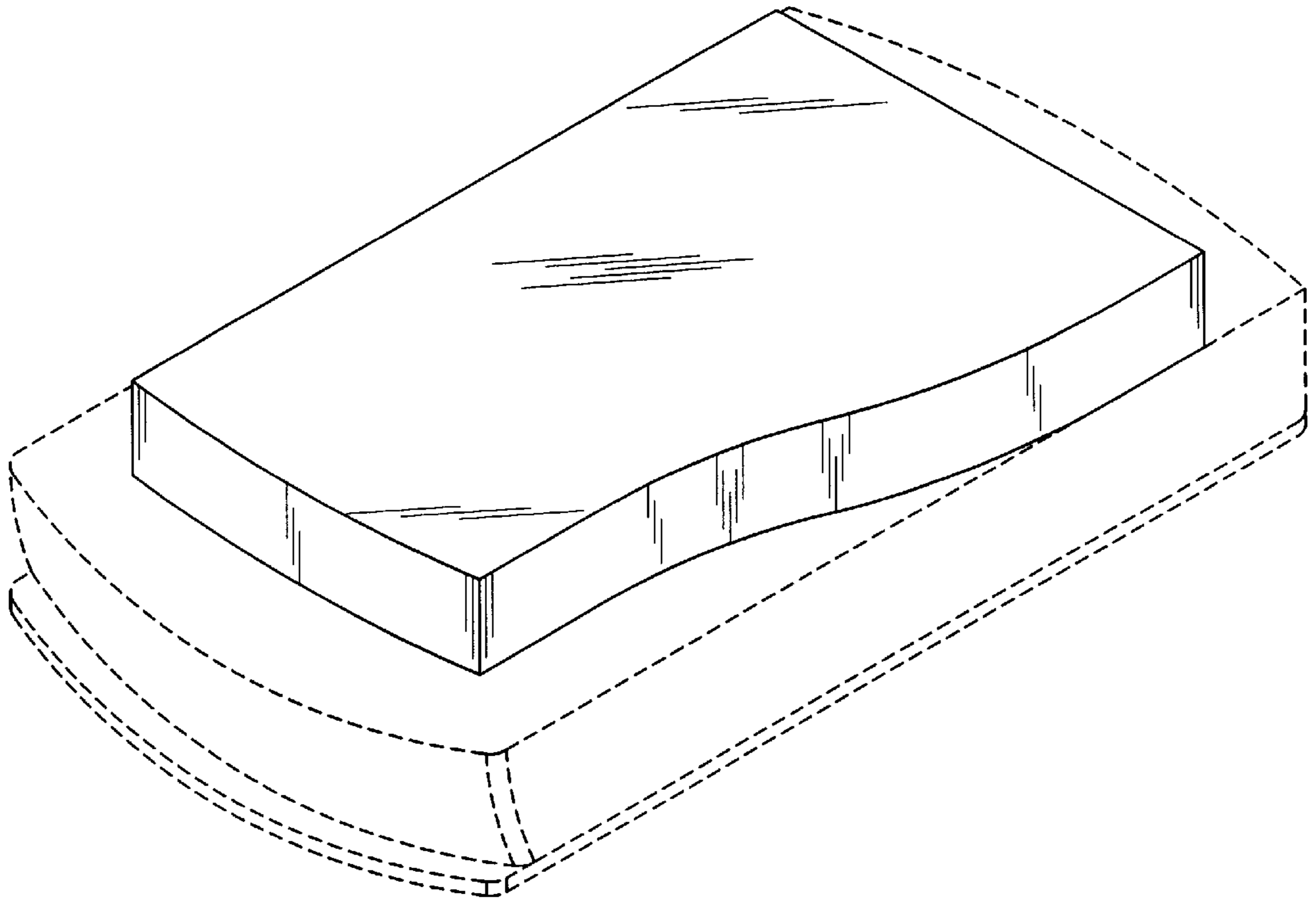


FIG. 1

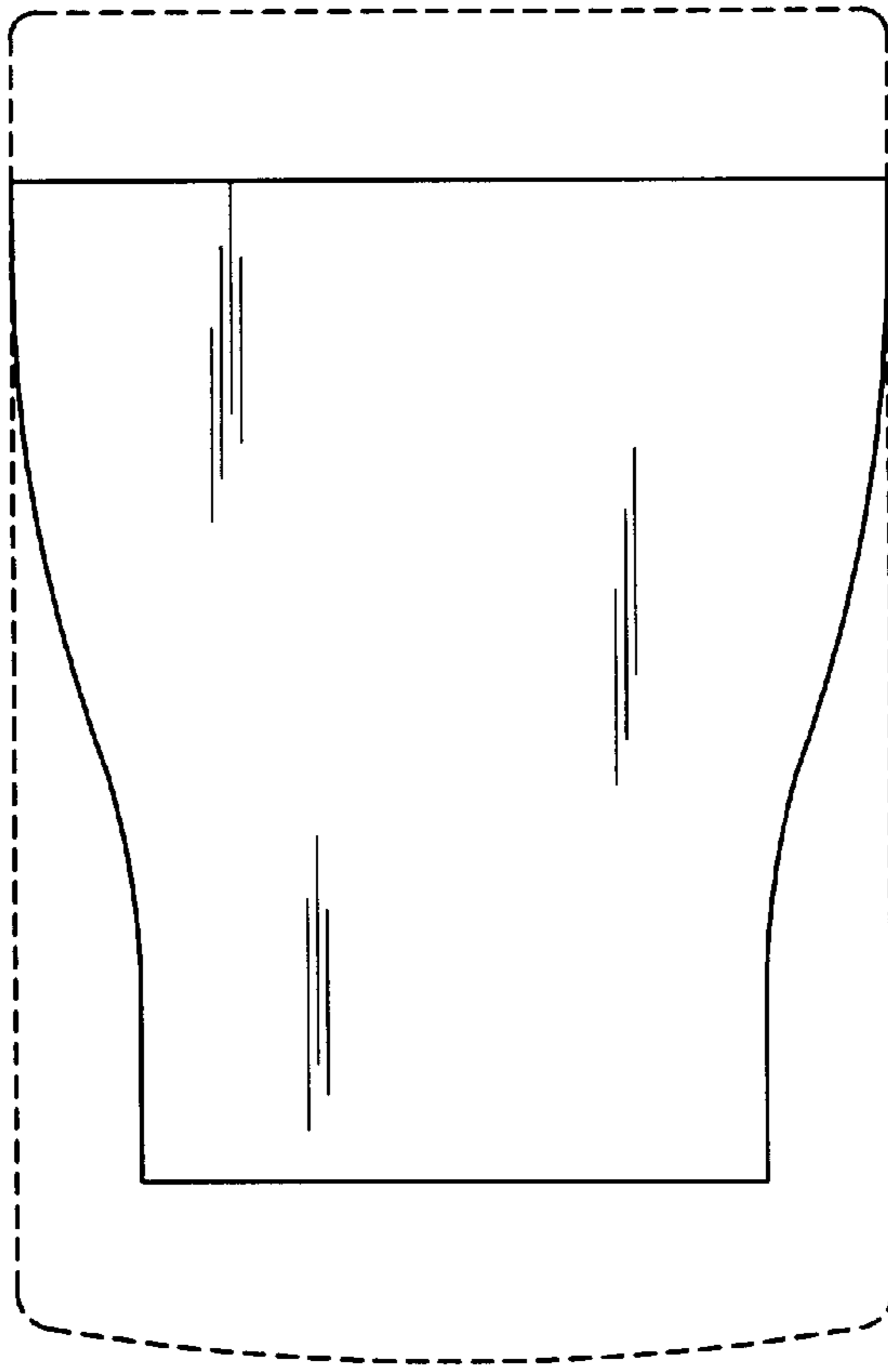


FIG. 2

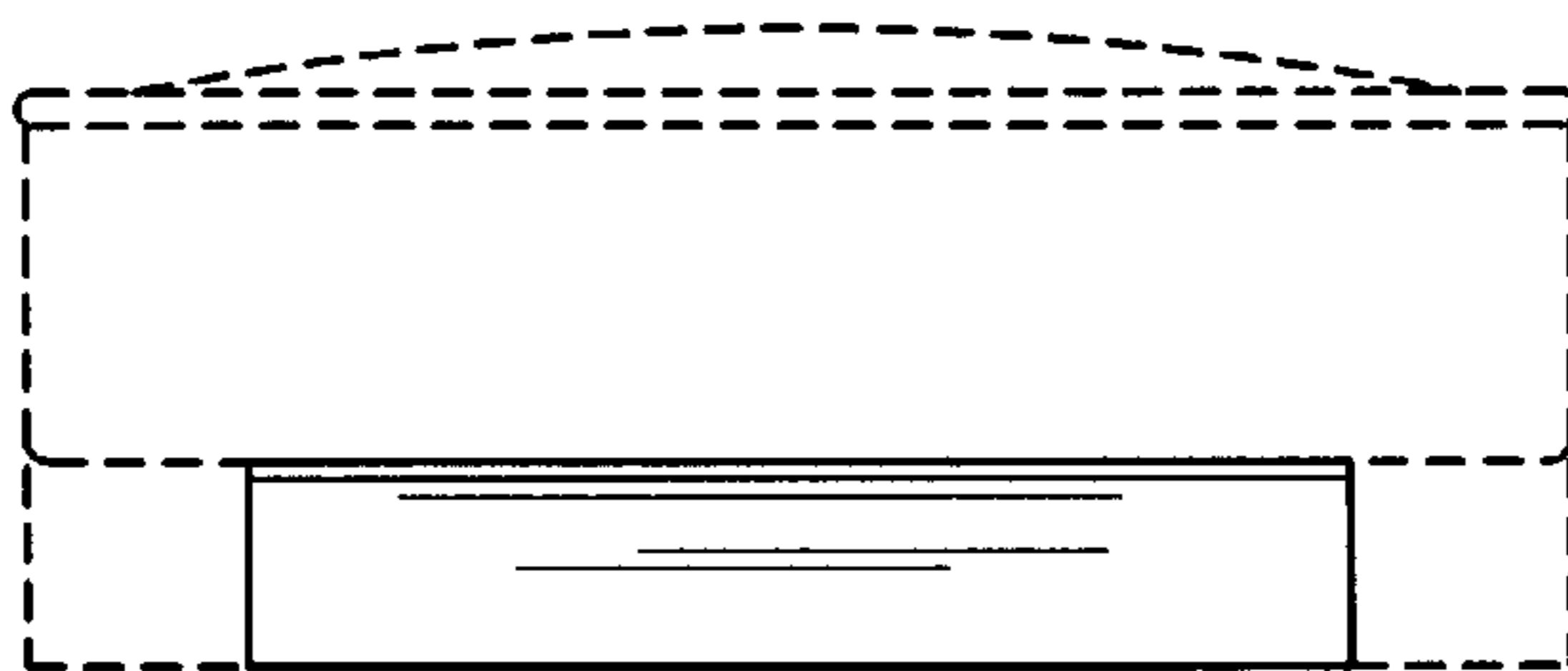


FIG. 3

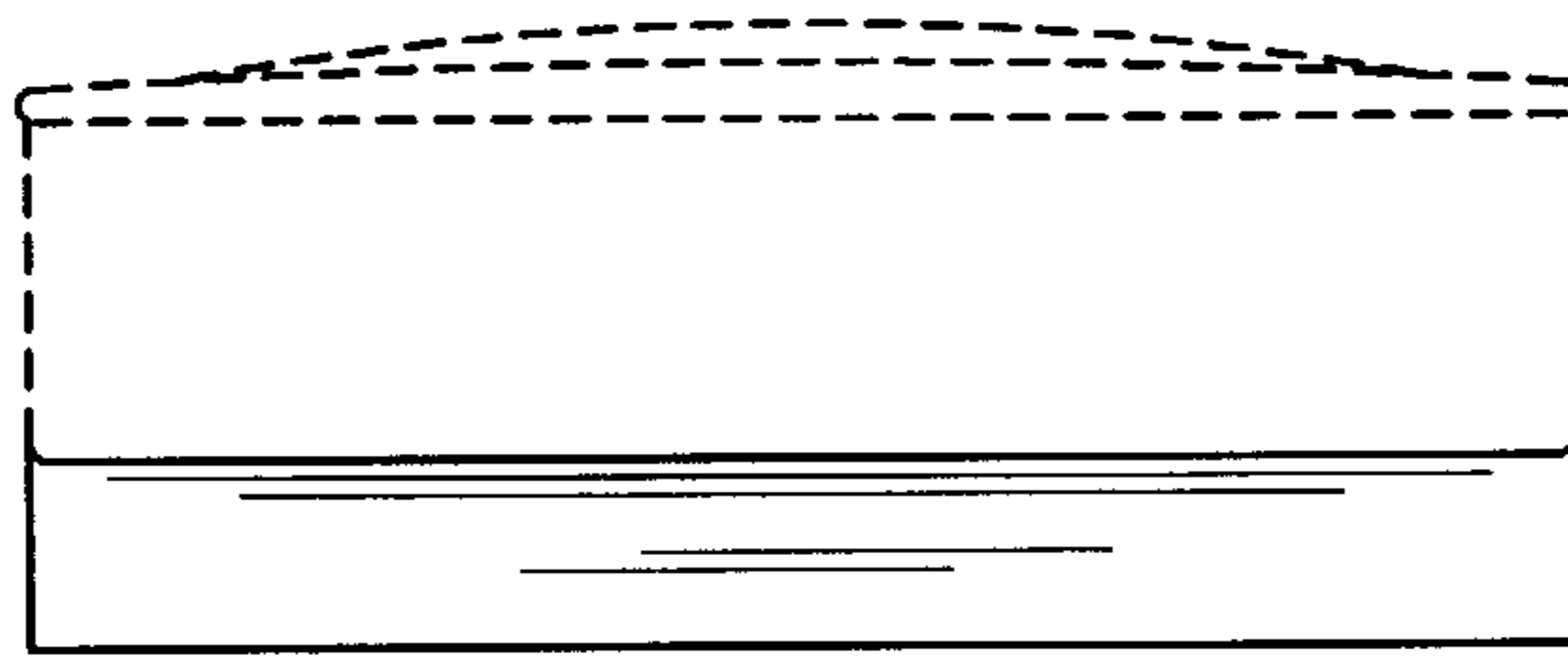


FIG. 4

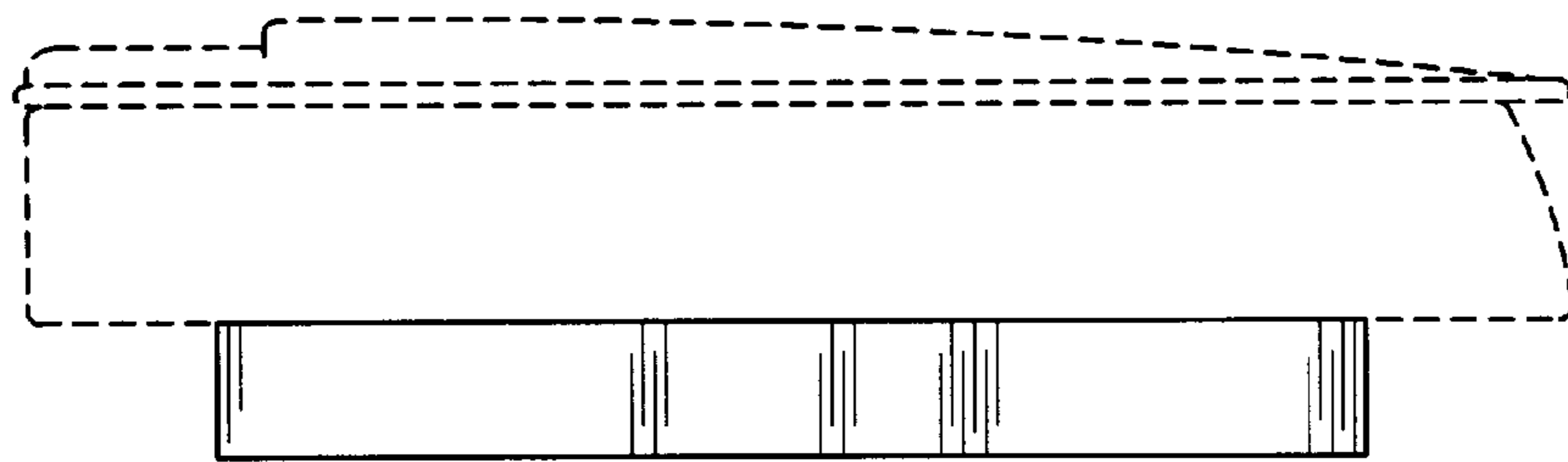


FIG. 5

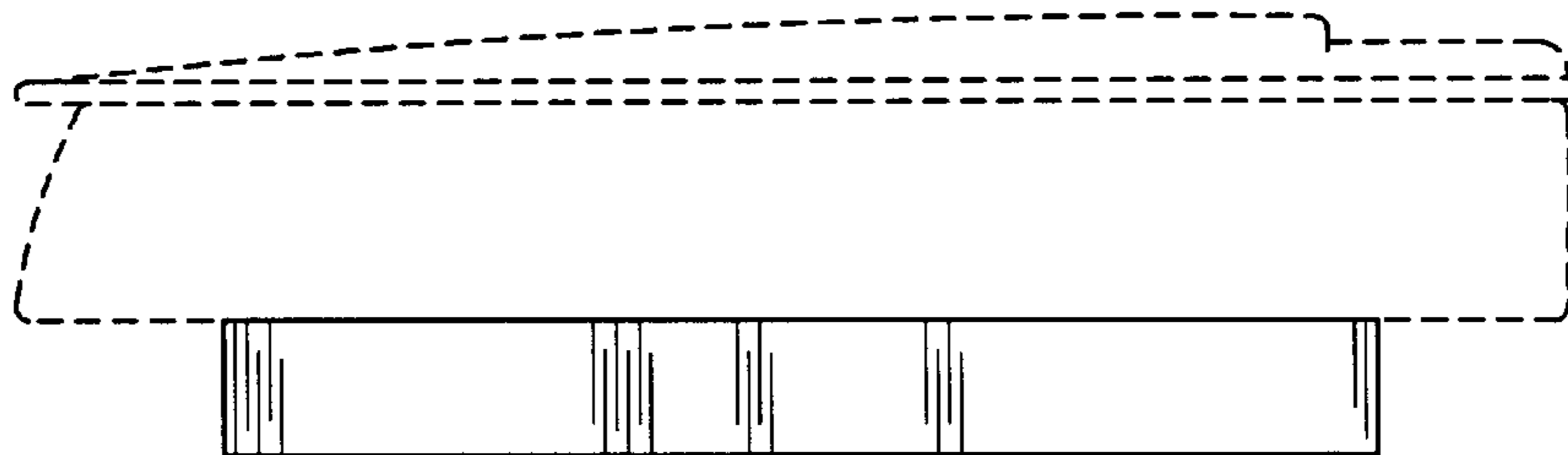


FIG. 6