



US00D416873S

United States Patent [19]

Korsunsky et al.

[11] Patent Number: **Des. 416,873**

[45] Date of Patent: **** Nov. 23, 1999**

[54] **HOUSING FOR OUTDOOR ELECTRICAL EQUIPMENT**

[75] Inventors: **Leon Korsunsky**, Sunnyvale; **Douglas M. Hiemstra**, Hillsborough; **Aaron Abroff**, Redwood City; **Frank D. Yashar**; **Krzysztof Pradzynski**, both of Santa Clara, all of Calif.

[73] Assignee: **Harmonic Lightwaves**, Sunnyvale, Calif.

[**] Term: **14 Years**

[21] Appl. No.: **29/080,376**

[22] Filed: **Dec. 5, 1997**

[51] LOC (6) Cl. **13-03**

[52] U.S. Cl. **D13/184**

[58] Field of Search D13/152, 160, D13/184; D14/240; 174/50, 50.51; 361/678, 679, 691

[56] **References Cited**

U.S. PATENT DOCUMENTS

D. 252,568 8/1979 Comstock D13/184

D. 315,906 4/1991 Channell D13/184
D. 336,074 6/1993 Friend et al. D13/184
D. 337,770 7/1993 Johnson D14/240
D. 379,088 5/1997 Hopper D13/152
4,802,060 1/1989 Immel 361/678

Primary Examiner—Adir Aronovich
Attorney, Agent, or Firm—Skjerven, Morrill, MacPherson, Franklin & Friel LLP

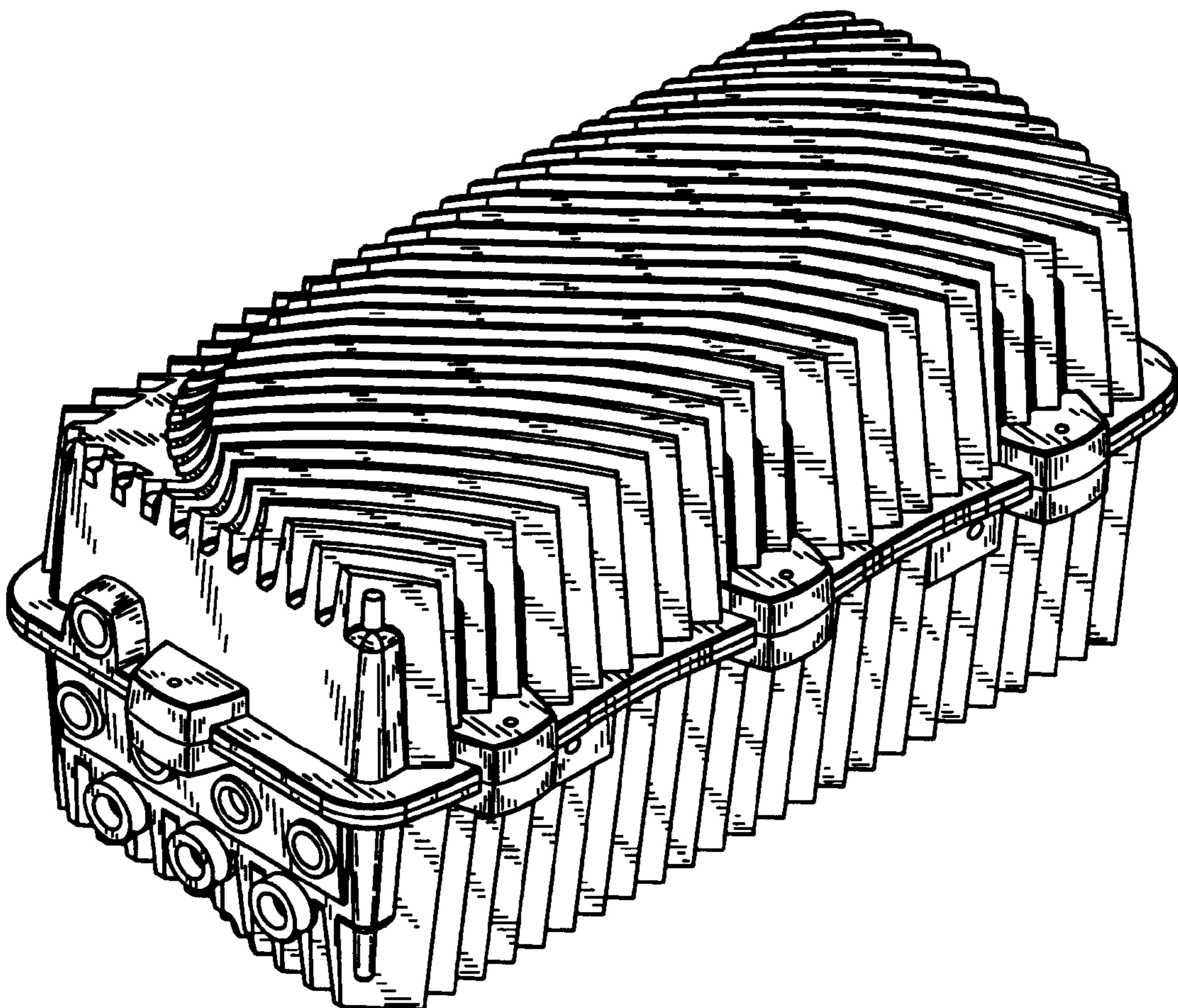
[57] **CLAIM**

The ornamental design for a housing for outdoor electrical equipment, as shown and described.

DESCRIPTION

FIG. 1 is a perspective front elevational view of a housing for outdoor electrical equipment;
FIG. 2 is a top plan view thereof;
FIG. 3 is a bottom plan view thereof;
FIG. 4 is a right side elevational view thereof;
FIG. 5 is a left side elevational view thereof;
FIG. 6 is a rear elevational view thereof; and,
FIG. 7 is a front elevational view thereof.

1 Claim, 4 Drawing Sheets



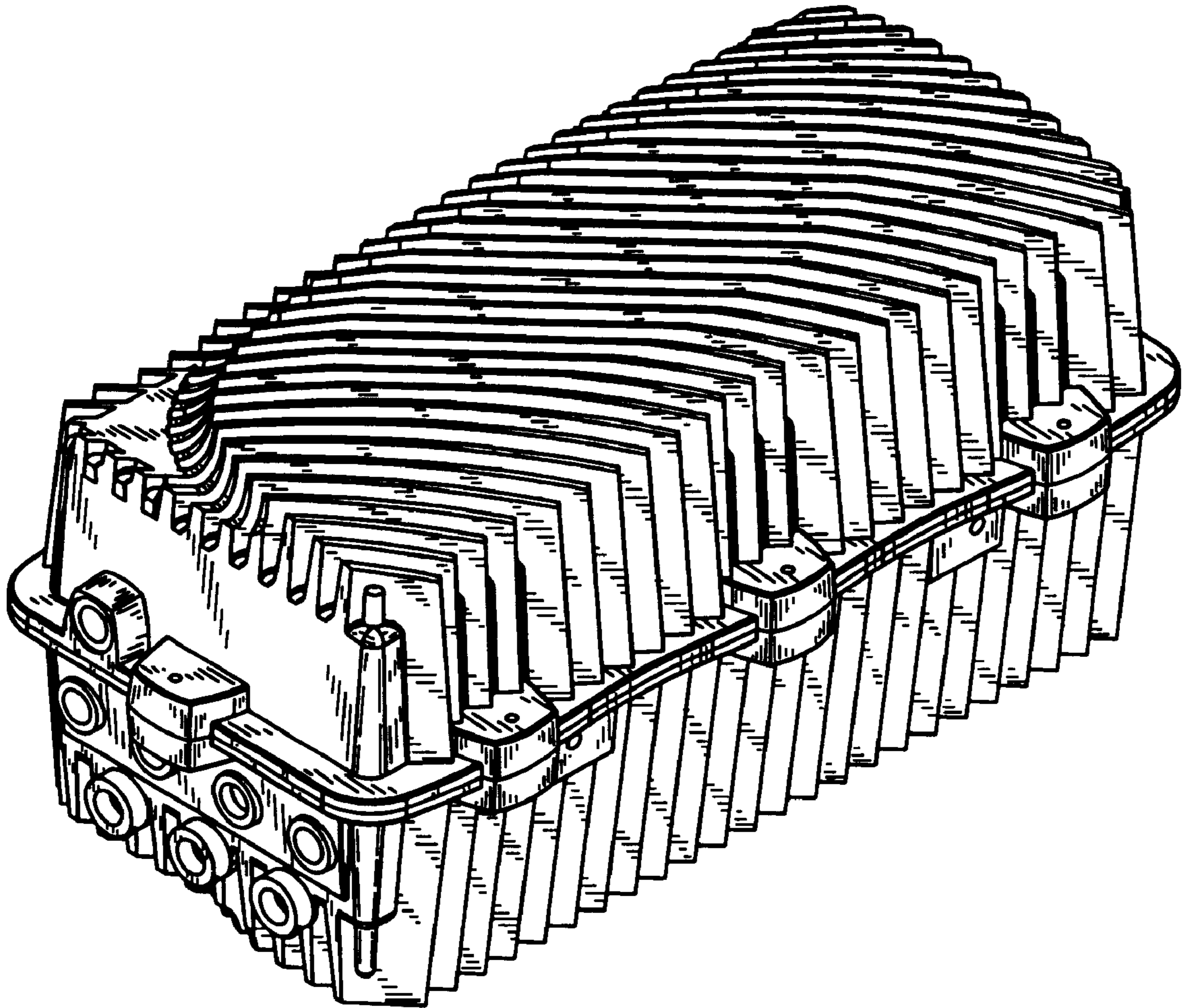


FIG. 1

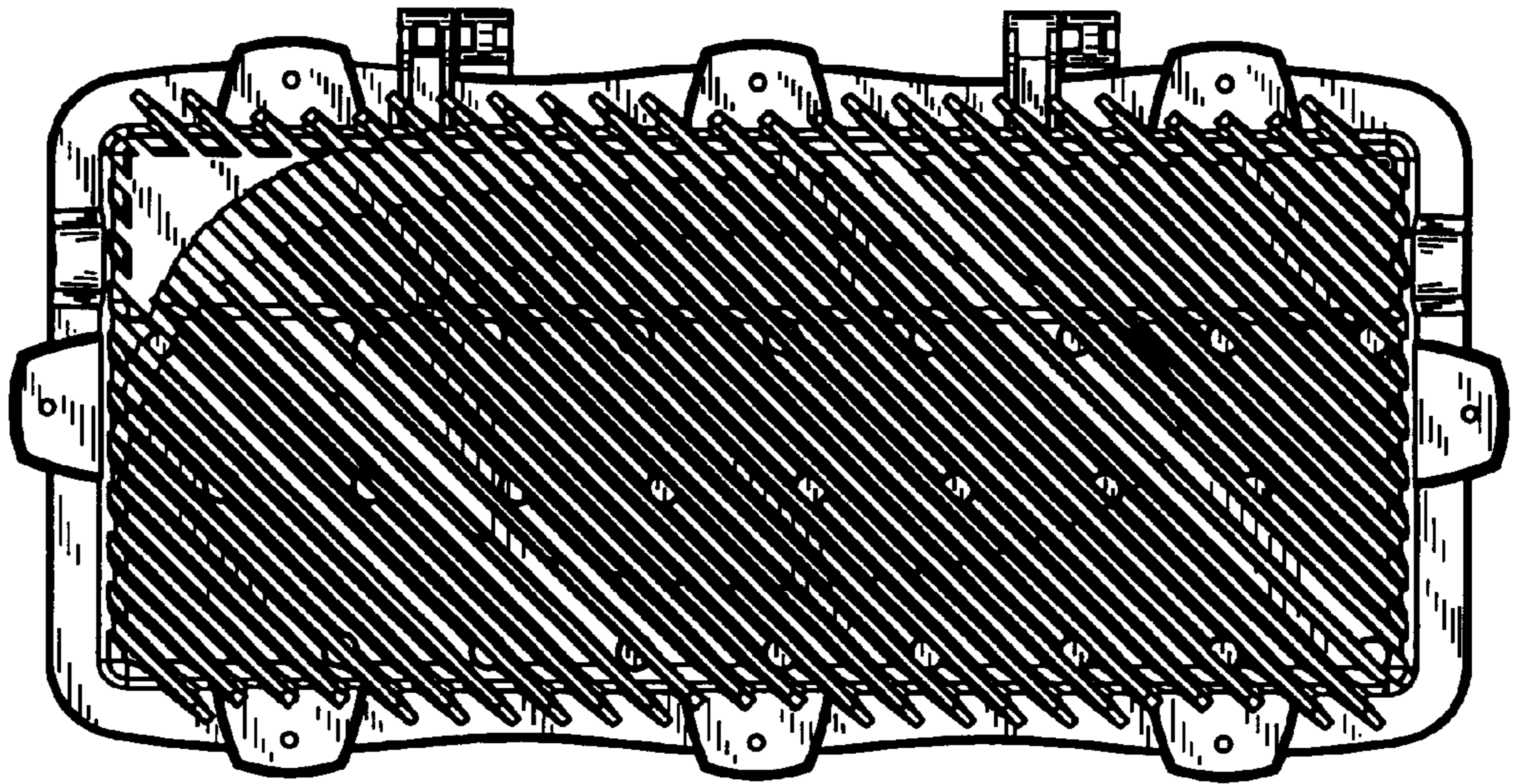


FIG. 2

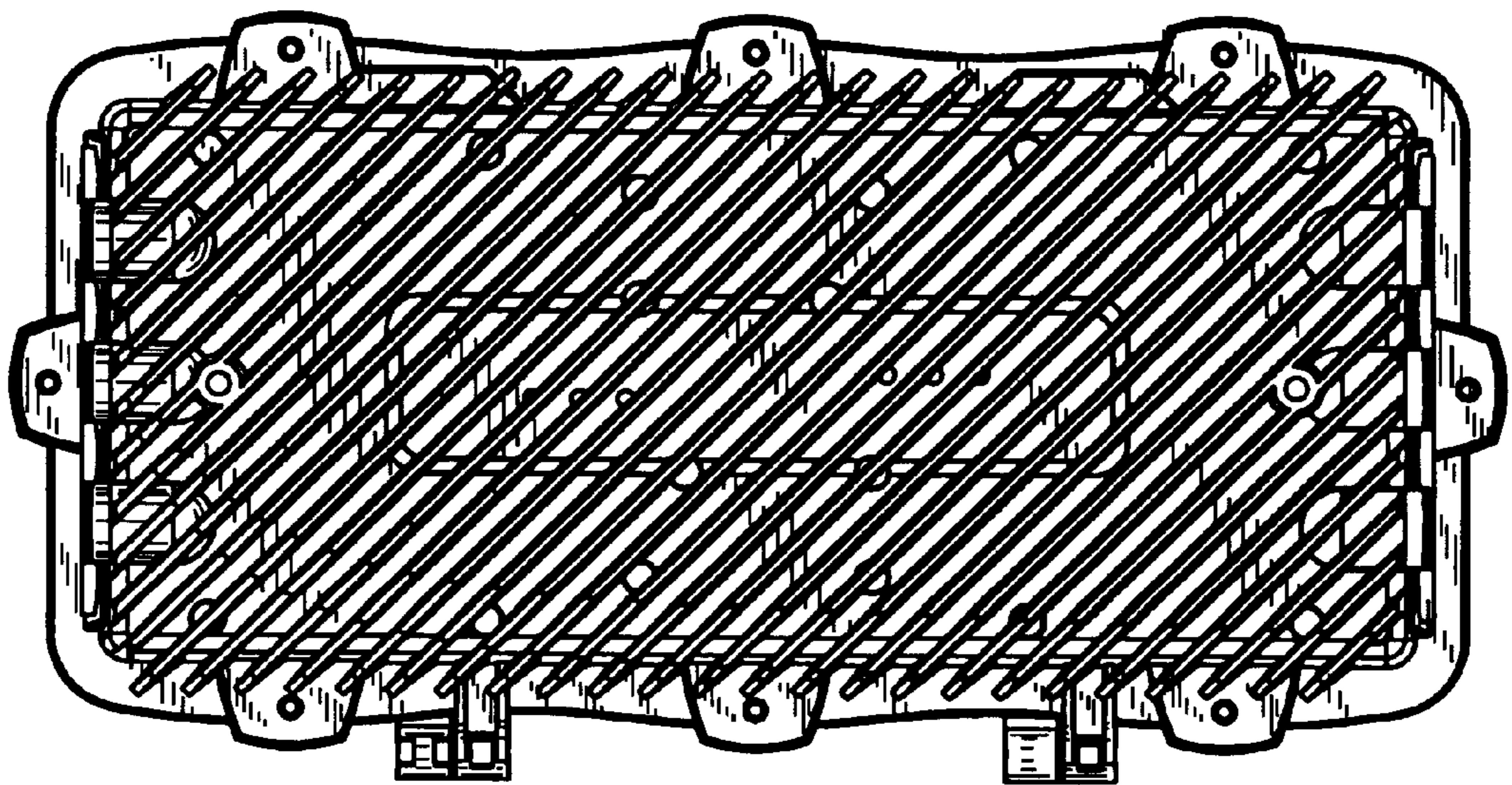


FIG. 3

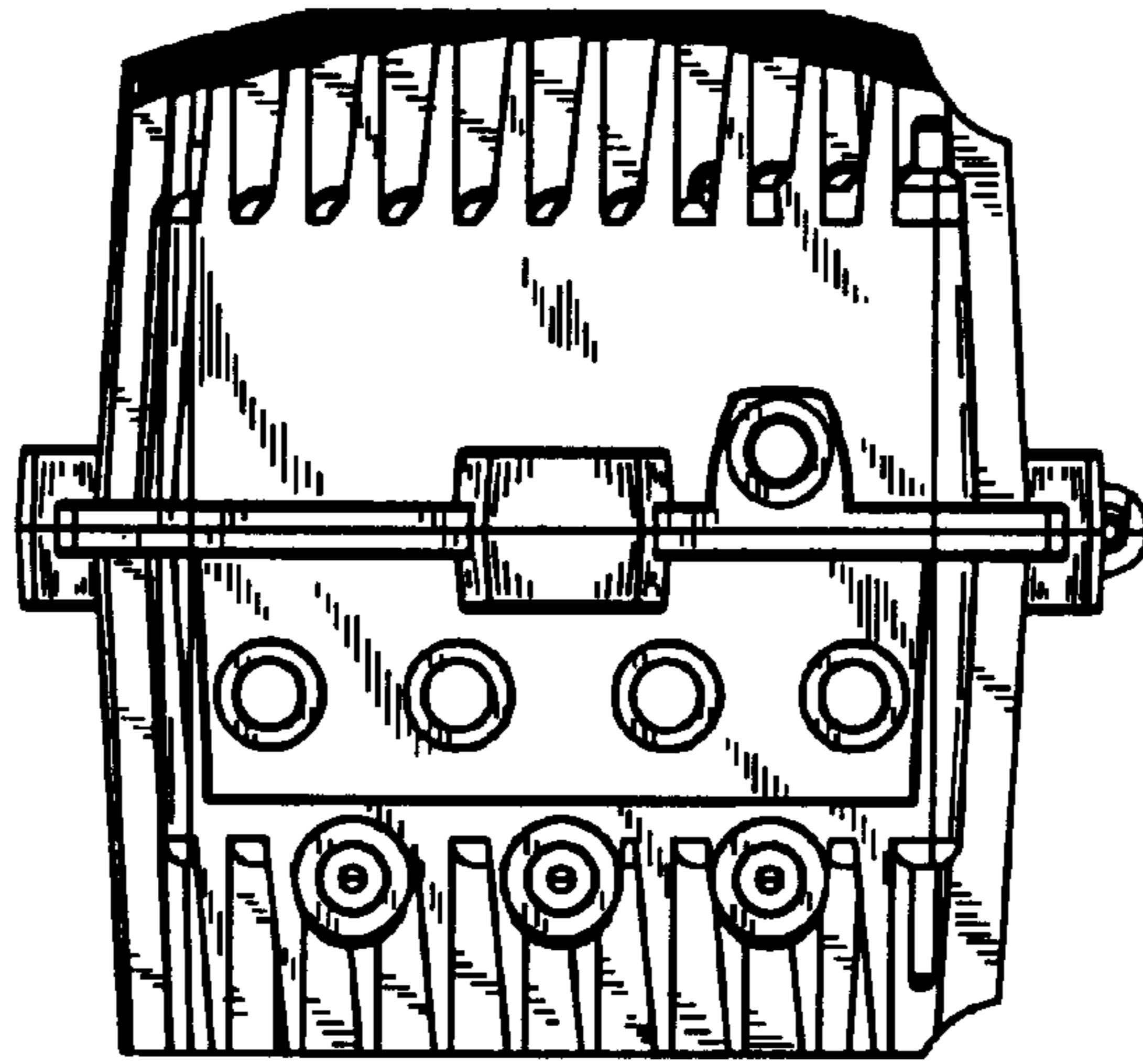


FIG. 4

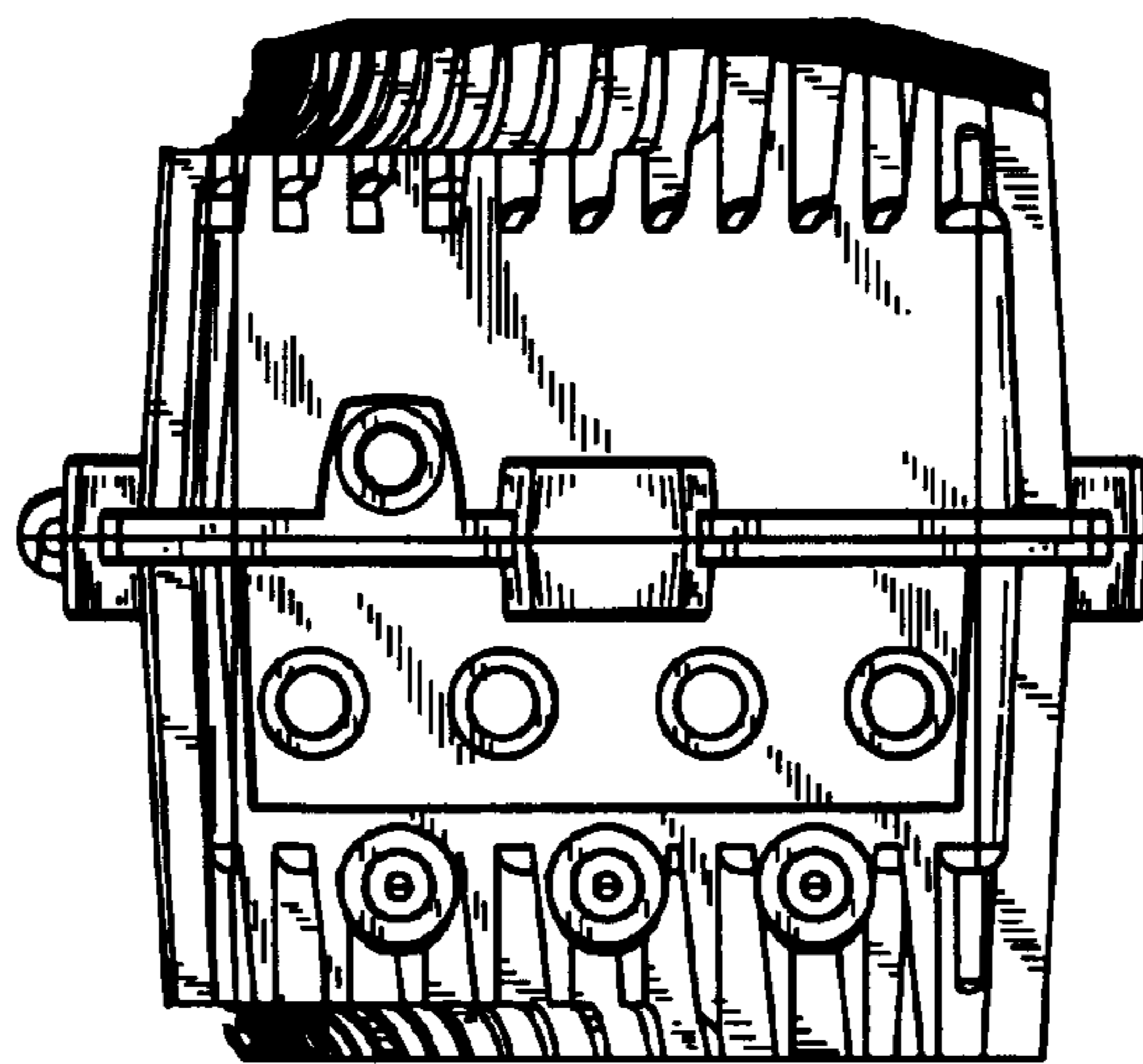


FIG. 5

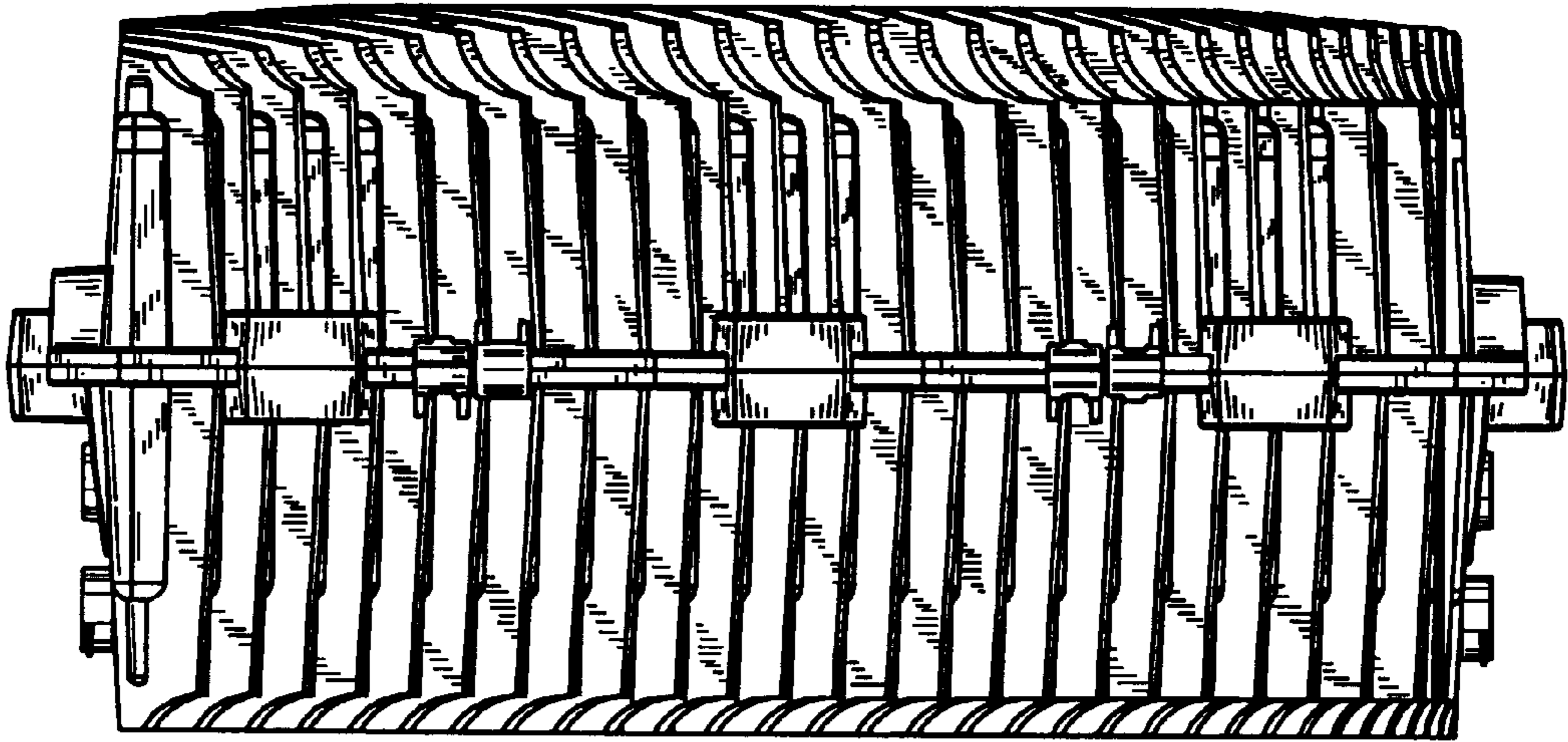


FIG. 6

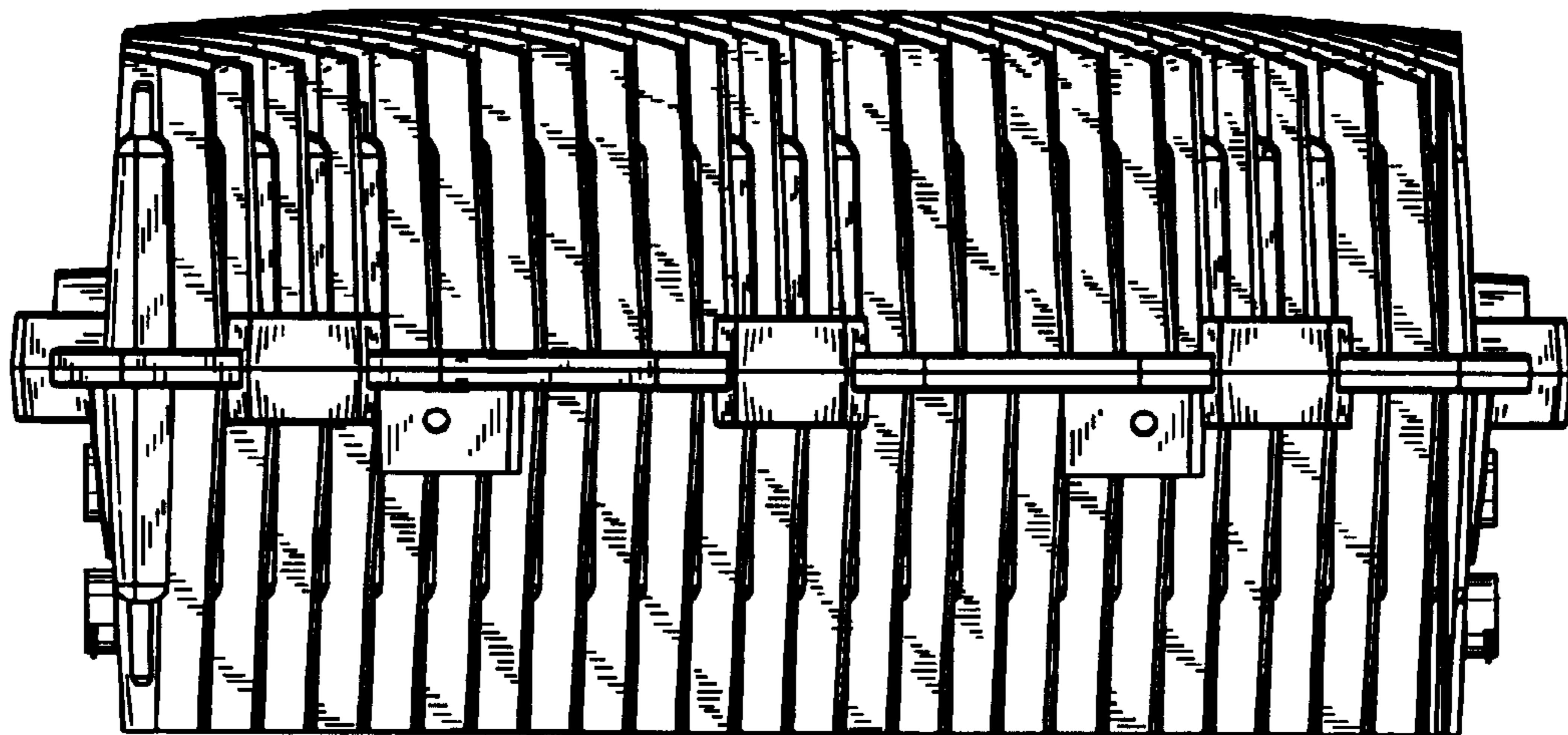


FIG. 7