



US00D416872S

United States Patent [19] Burke

[11] Patent Number: **Des. 416,872**

[45] Date of Patent: **** Nov. 23, 1999**

[54] **SINGLE COMPONENT COMPUTER**

[75] Inventor: **Jonathan Christopher Burke**, Corte Madera, Calif.

[73] Assignee: **ZF Microsystems, Inc.**, Palo Alto, Calif.

[**] Term: **14 Years**

[21] Appl. No.: **29/079,005**

[22] Filed: **Nov. 6, 1997**

[51] **LOC (6) Cl.** **13-03**

[52] **U.S. Cl.** **D13/182; D14/114**

[58] **Field of Search** D14/100, 114;
361/719, 718, 820; 439/71; D13/158-60,
162, 162.1, 182; 257/678, 690-2, 694-7;
174/52.2

[56] **References Cited**

U.S. PATENT DOCUMENTS

D. 260,091	8/1981	Mochizuki et al.	D13/182
D. 260,986	9/1981	Mochizuki et al.	D13/182
D. 317,592	6/1991	Yoshizawa	D13/182
D. 318,271	7/1991	Hasegawa et al.	D13/182
D. 396,212	7/1998	Enomoto et al.	D13/182
D. 396,213	7/1998	Enomoto et al.	D13/182
D. 396,847	8/1998	Nakayama et al.	D13/182

D. 402,274	12/1998	Kataoka et al.	D13/182
4,506,938	3/1985	Madden	439/71
5,206,792	4/1993	Reynolds	.	
5,346,402	9/1994	Yasuho et al.	439/71
5,422,790	6/1995	Chen	361/719
5,513,073	4/1996	Block et al.	361/719
5,574,627	11/1996	Porter	361/719
5,640,305	6/1997	Smithers	361/719
5,743,748	4/1998	Takahata et al.	439/71
5,844,307	12/1998	Suzuki et al.	257/690

Primary Examiner—M. H. Tung
Attorney, Agent, or Firm—Flehr Hohbach Test Albritton & Herbert LLP

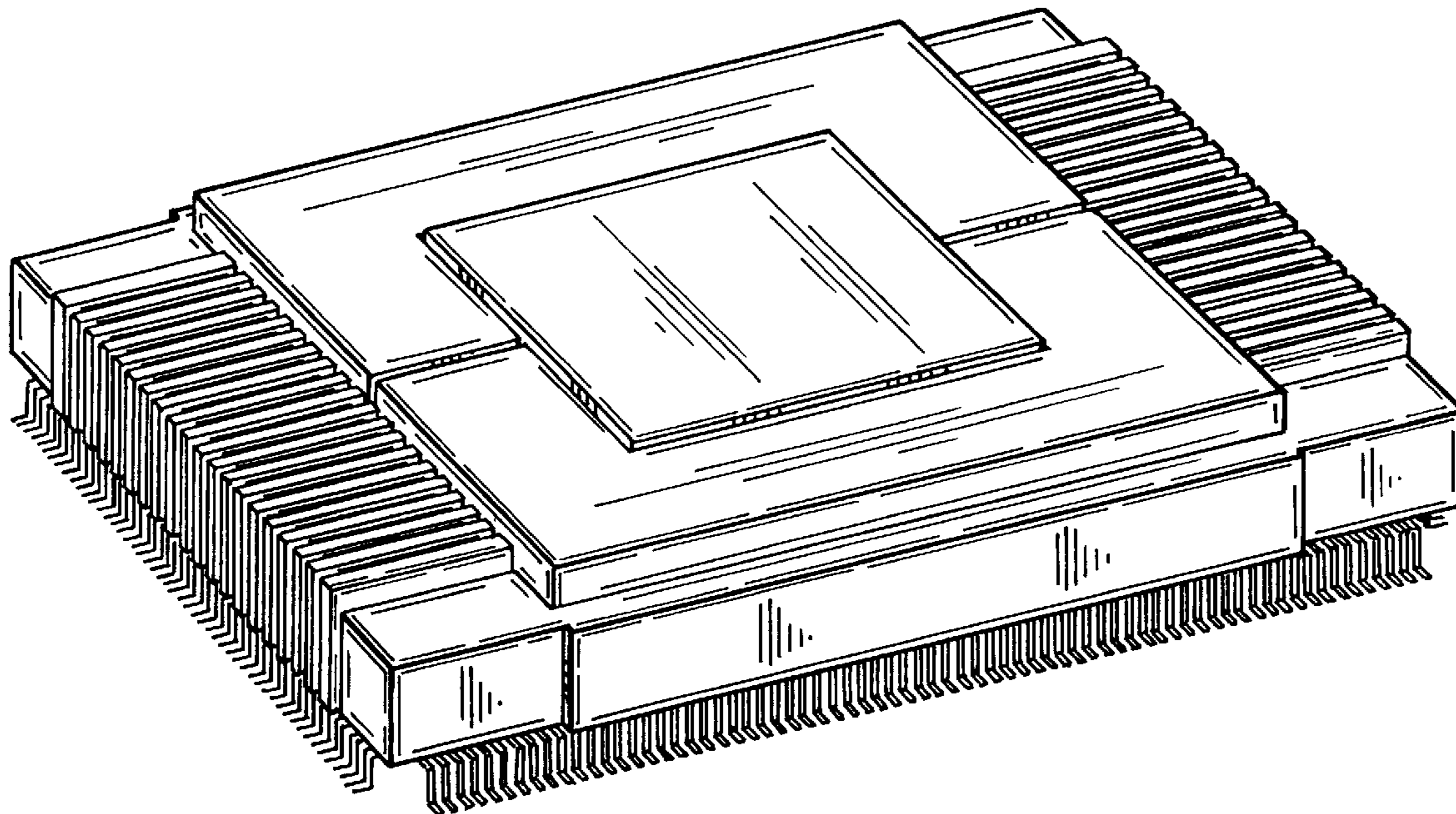
[57] **CLAIM**

The ornamental design for a single component computer, as described and claimed.

DESCRIPTION

FIG. 1 is a perspective view of a single component computer embodying my new design;
FIG. 2 is a top plan view thereof;
FIG. 3 is a side elevational view thereof, the other side being identical;
FIG. 4 is a front elevational view thereof, the rear view being identical; and,
FIG. 5 is a bottom plan view thereof.

1 Claim, 2 Drawing Sheets



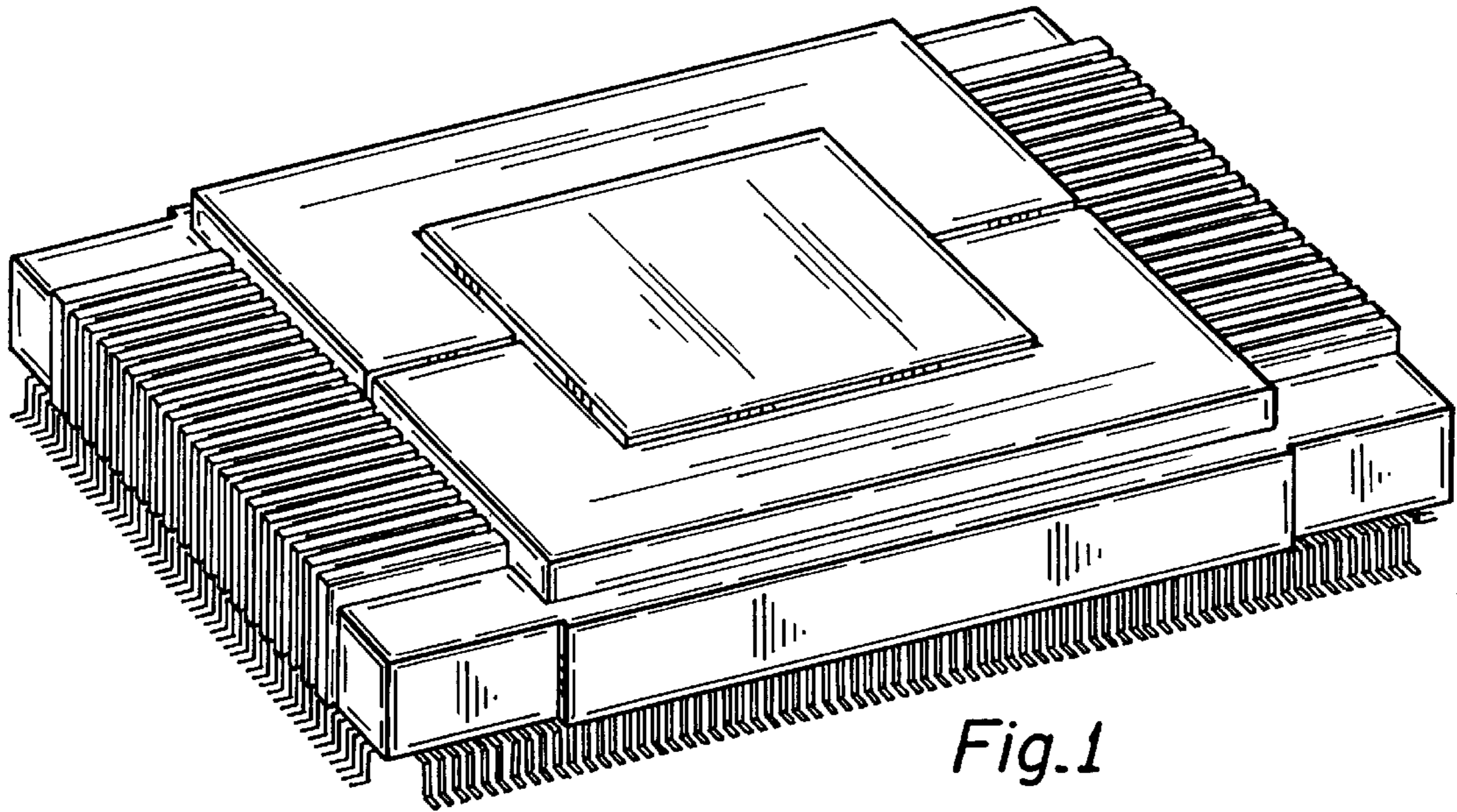


Fig. 1

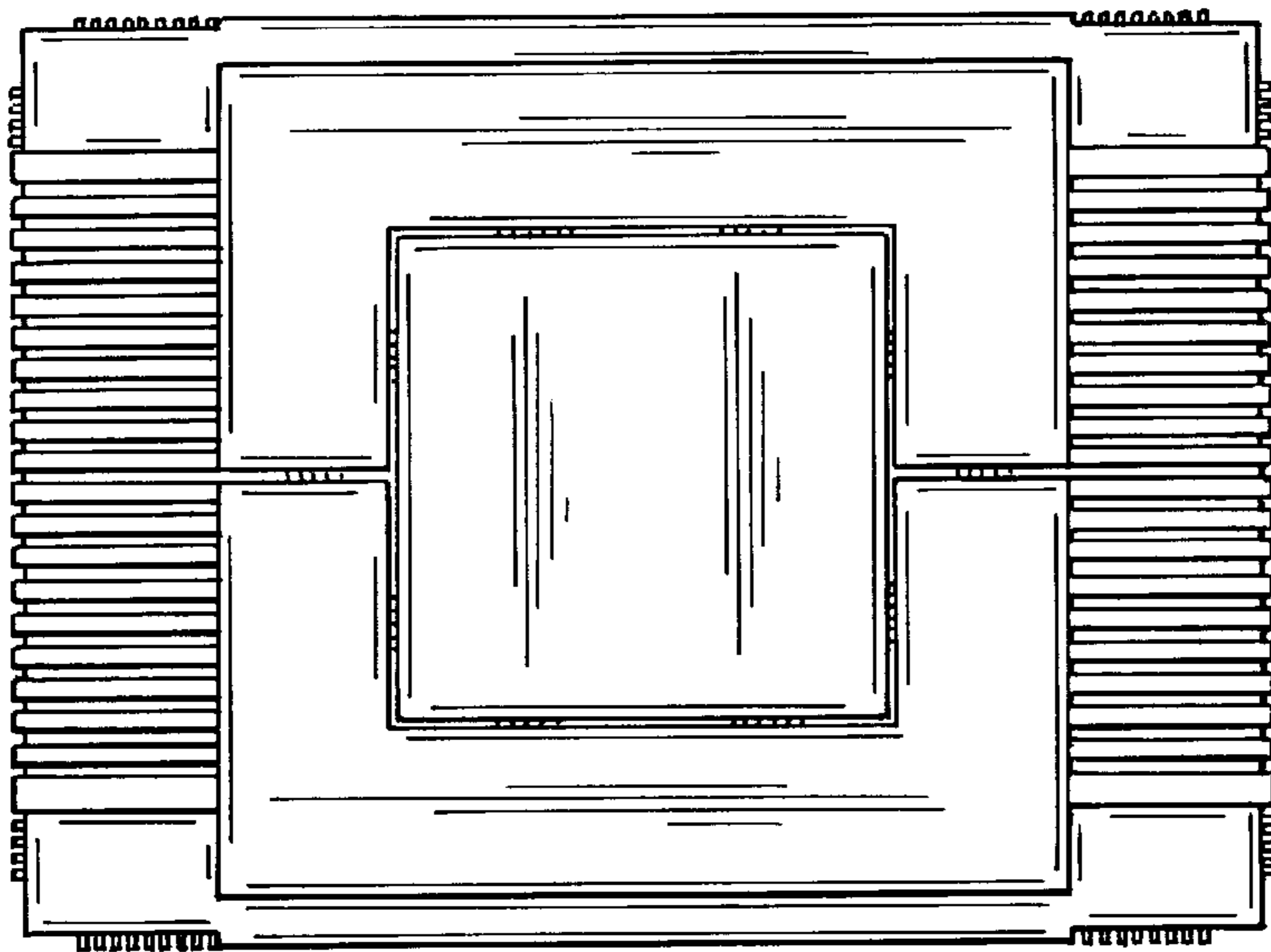


Fig. 2

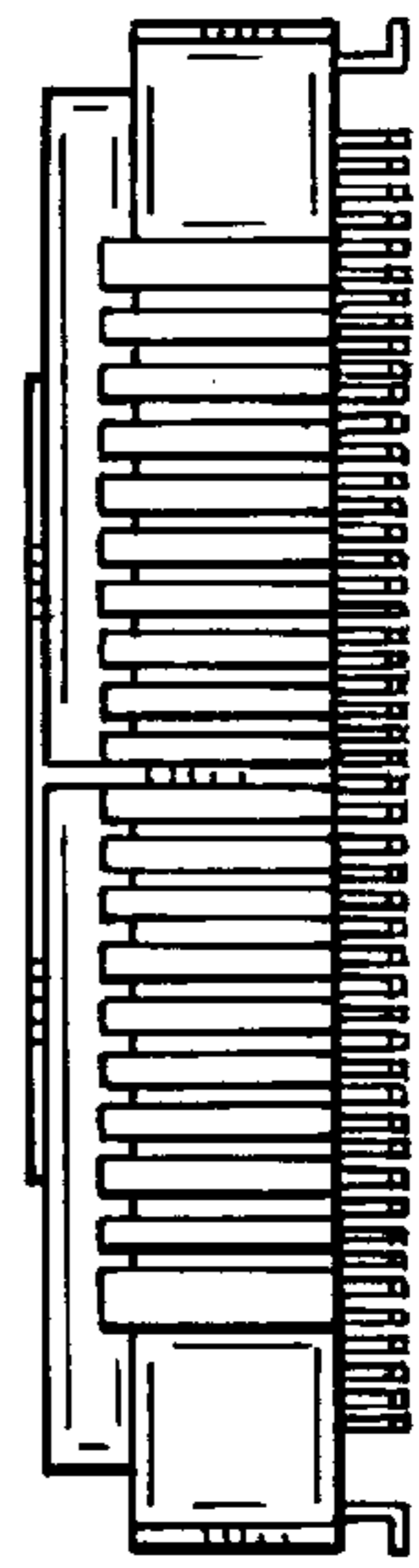


Fig. 3

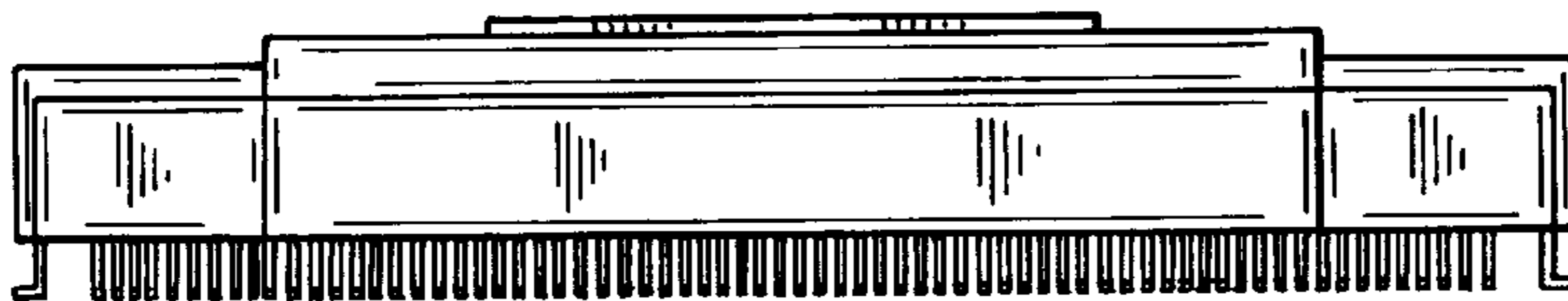


Fig. 4

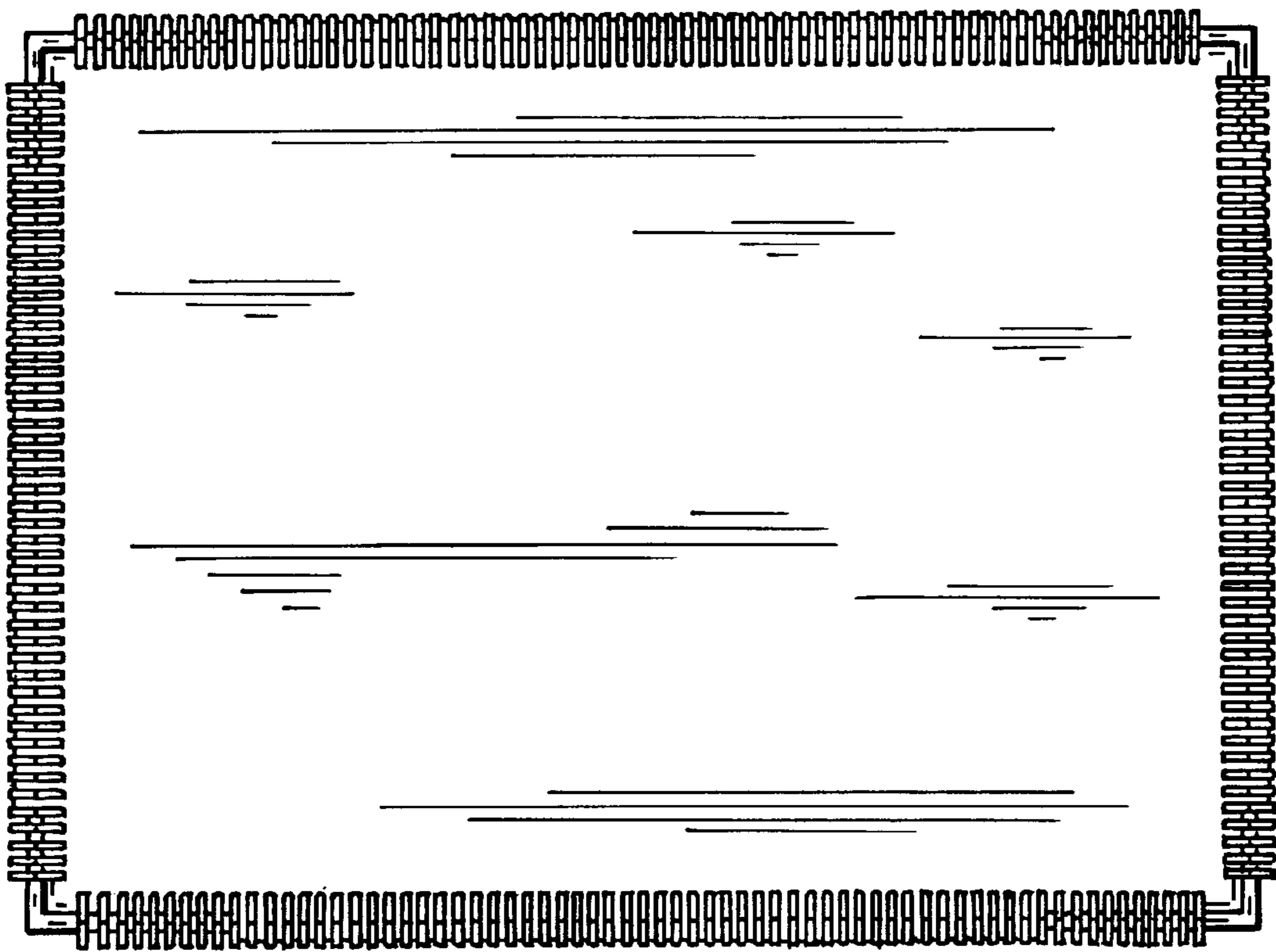


Fig.5