



US00D416868S

United States Patent [19] Tsai

[11] **Patent Number: Des. 416,868**

[45] **Date of Patent: ** Nov. 23, 1999**

[54] **CABLE CONNECTOR ASSEMBLY**

[75] Inventor: **Thomas R. L. Tsai**, Tu-Chen, Taiwan

[73] Assignee: **Hon Hai Precision Ind. Co., Ltd.**,
Taipei Hsien, Taiwan

[**] Term: **14 Years**

[21] Appl. No.: **29/101,842**

[22] Filed: **Mar. 11, 1999**

[30] **Foreign Application Priority Data**

Sep. 11, 1998 [TW] Taiwan 87306708

[51] **LOC (6) Cl.** **13-03**

[52] **U.S. Cl.** **D13/153; D13/147**

[58] **Field of Search** D13/133, 146,
D13/147, 153; 439/502, 459, 304, 610

[56] **References Cited**

U.S. PATENT DOCUMENTS

D. 293,433 12/1987 Brooks et al. D13/146

D. 363,700 10/1995 Buongervino et al. D13/147
D. 409,149 5/1999 Oikawa D13/153
D. 409,150 5/1999 Davis et al. D13/153
5,593,315 1/1997 Kinoshita et al. 439/459
5,797,771 8/1998 Garside 439/610

Primary Examiner—Joel Sincavage
Attorney, Agent, or Firm—Wei Te Chung

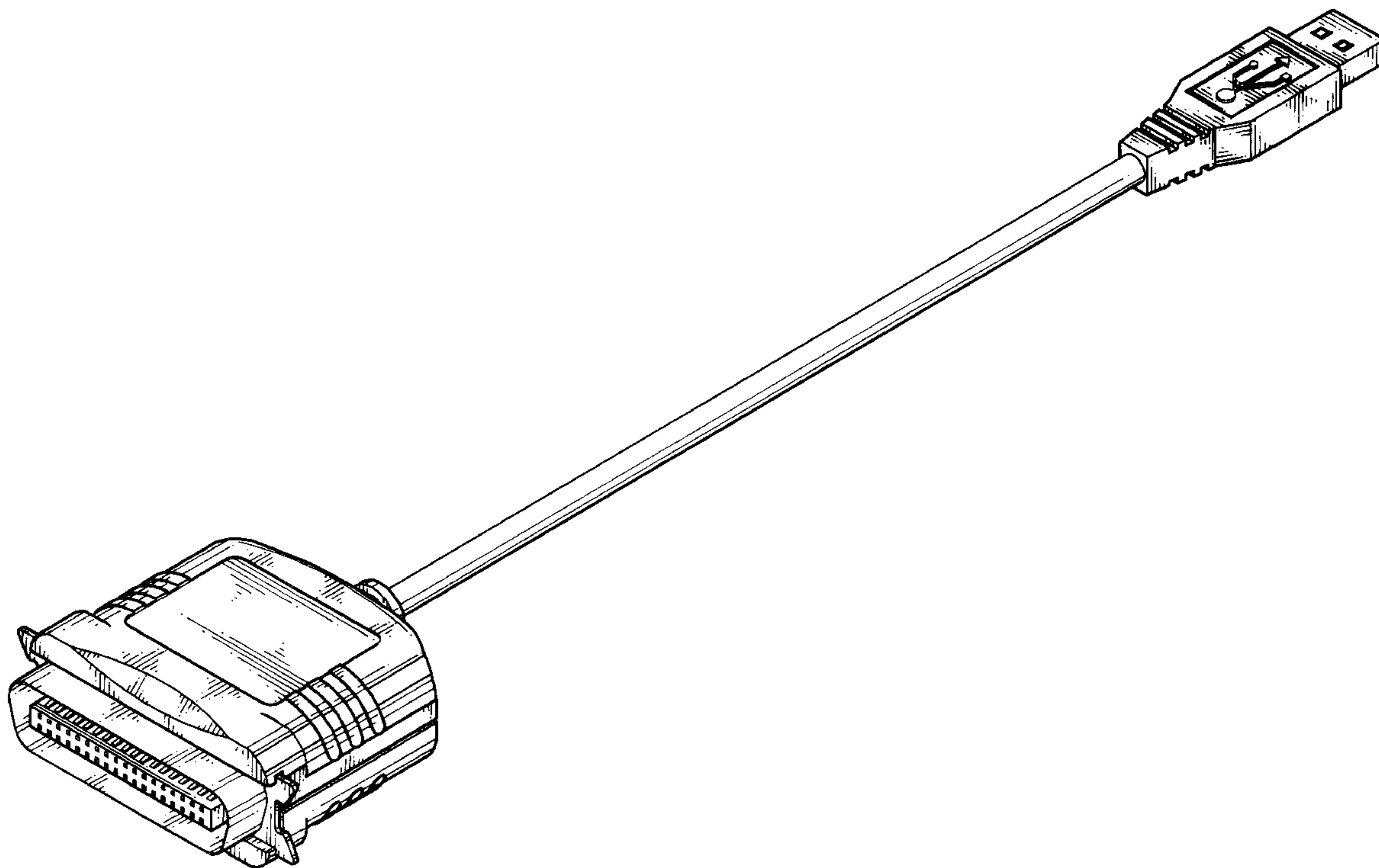
[57] **CLAIM**

The ornamental design for a cable connector assembly, as shown.

DESCRIPTION

FIG. 1 is a front-right-top perspective view of a cable connector assembly showing my new design; FIG. 2 is a front elevational view thereof; FIG. 3 is a rear elevational view thereof; FIG. 4 is a left side elevational view thereof; FIG. 5 is a right side elevational view thereof; FIG. 6 is a top plan view thereof; and, FIG. 7 is a bottom plan view thereof.

1 Claim, 4 Drawing Sheets



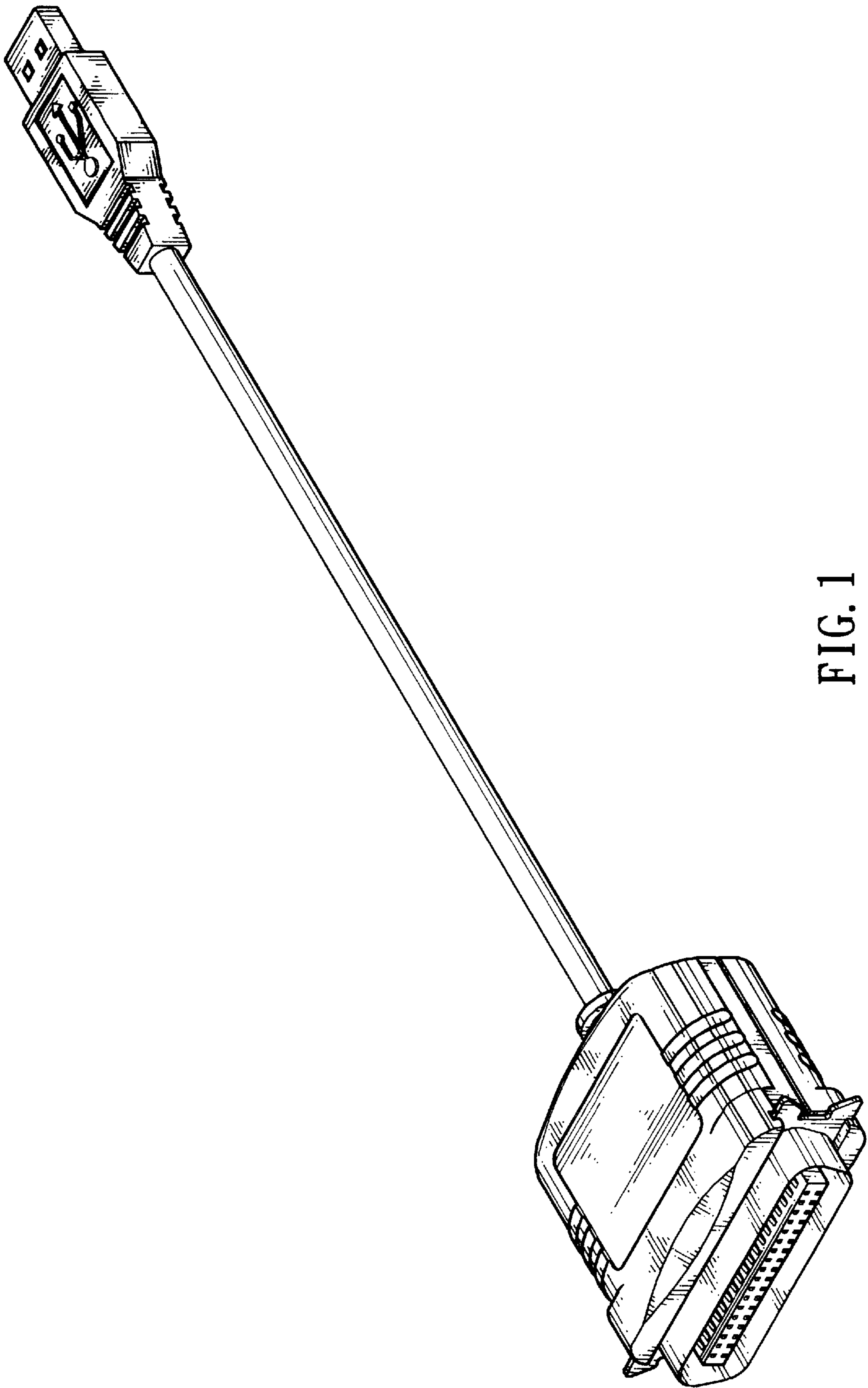


FIG. 1

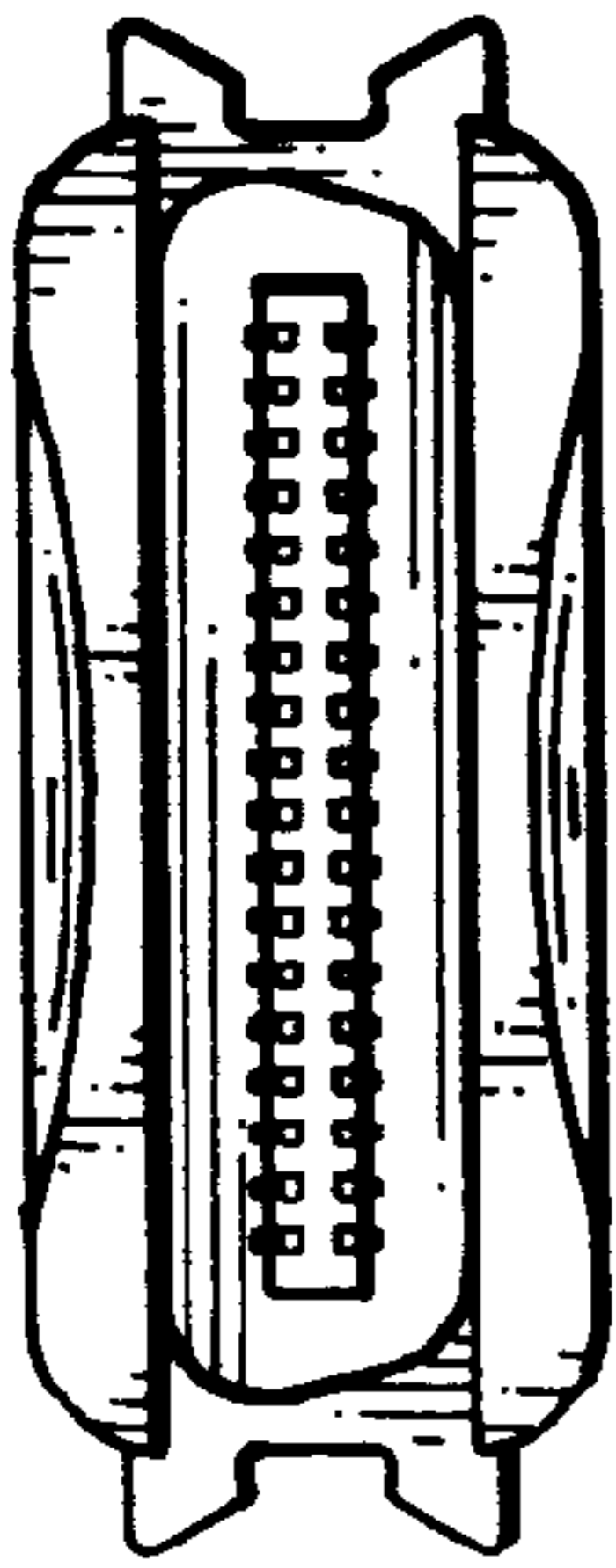


FIG. 2

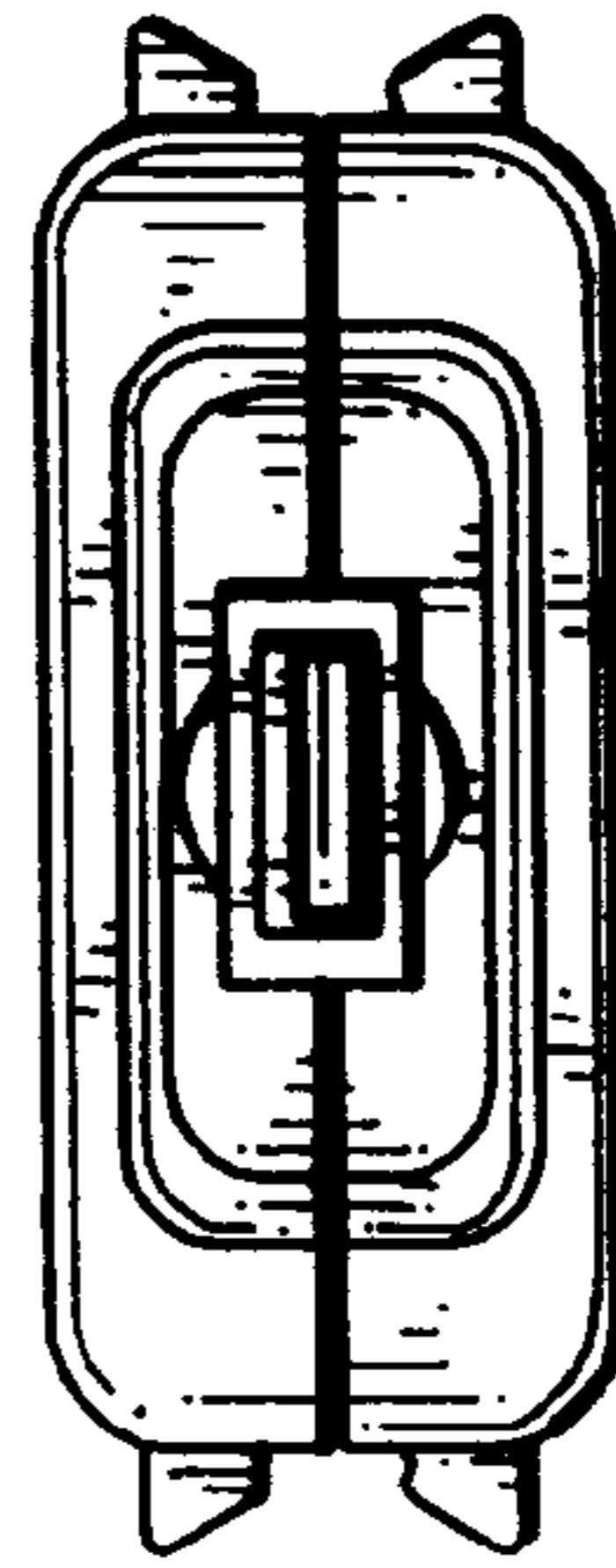


FIG. 3

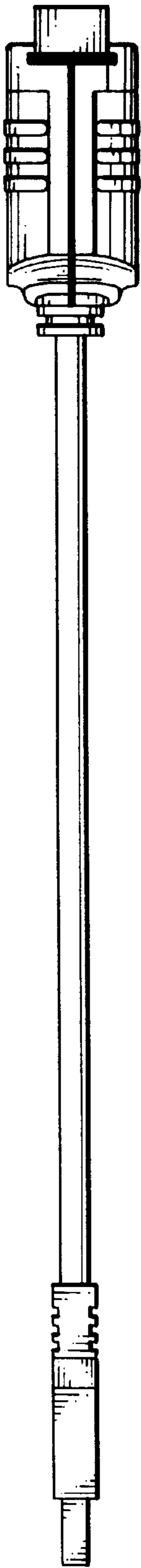


FIG. 4

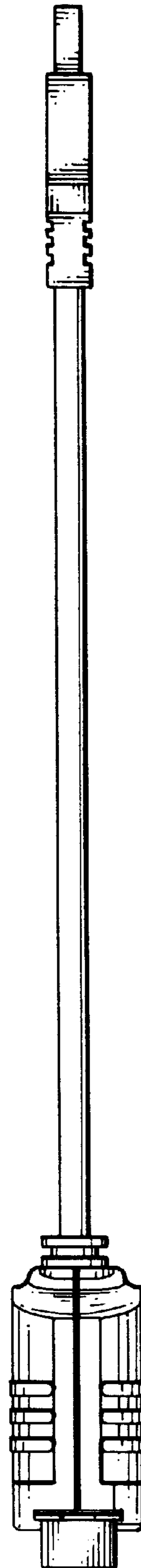


FIG. 5

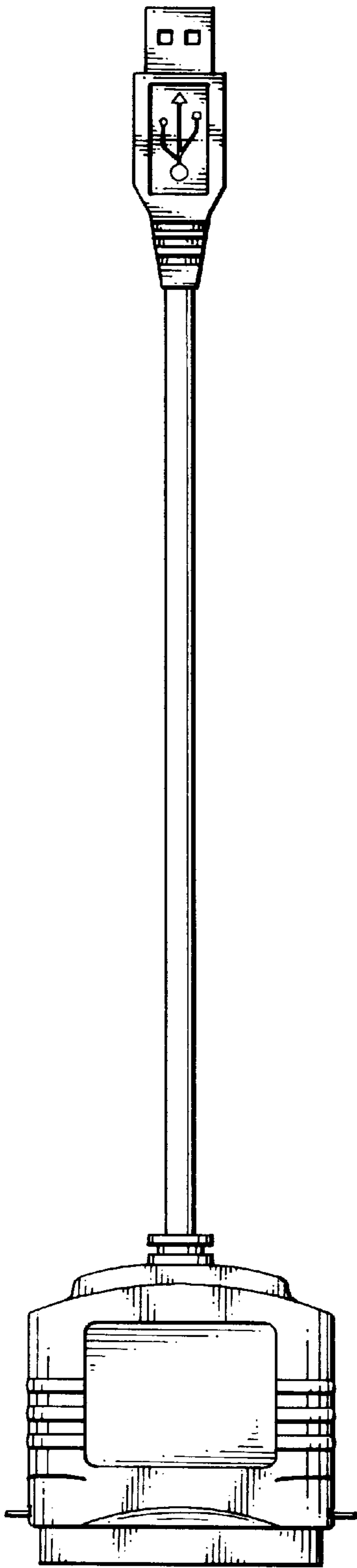


FIG. 6

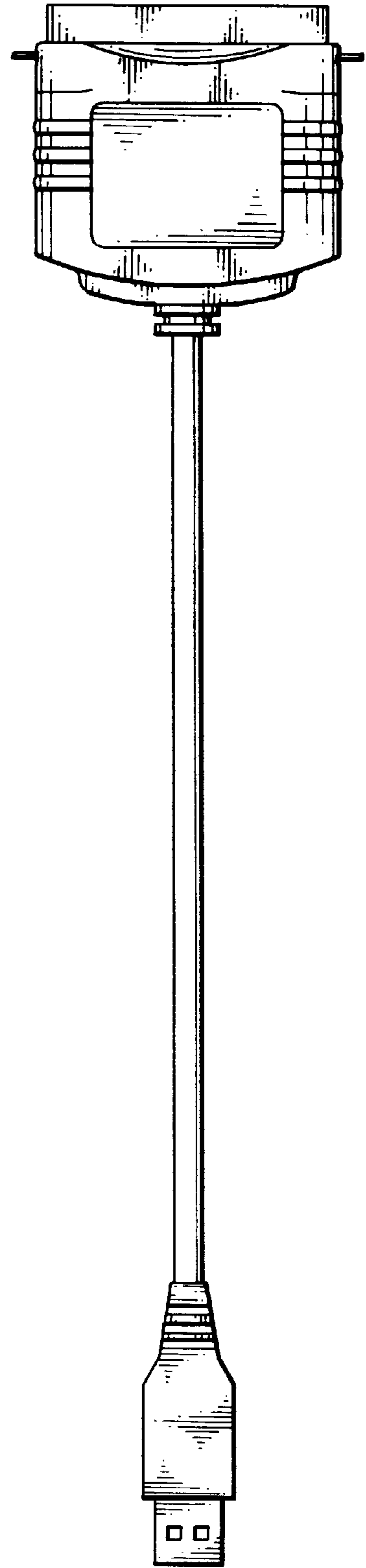


FIG. 7