



US00D416865S

United States Patent [19] Chiou

[11] **Patent Number: Des. 416,865**

[45] **Date of Patent: ** Nov. 23, 1999**

[54] **ELECTRICAL CONNECTOR**

[75] Inventor: **Song-Rong Chiou**, Lin-Kou, Taiwan

[73] Assignee: **Hon Hai Precision Ind. Co., Ltd.**,
Taipei Hsien, Taiwan

[**] Term: **14 Years**

[21] Appl. No.: **29/103,293**

[22] Filed: **Apr. 12, 1999**

[30] **Foreign Application Priority Data**

Oct. 17, 1998 [TW] Taiwan 87307539

[51] **LOC (6) Cl.** **13-03**

[52] **U.S. Cl.** **D13/147**

[58] **Field of Search** D13/133, 146,
D13/147; 439/79, 83, 62, 607

[56] **References Cited**

U.S. PATENT DOCUMENTS

D. 313,007 12/1990 Nakamura D13/147

D. 398,584	9/1998	Hirai et al.	D13/147
D. 407,690	4/1999	Lai et al.	D13/147
5,104,326	4/1992	Smith et al.	439/79 X
5,213,515	5/1993	Ishikawa et al.	439/79
5,533,901	7/1996	Hunt et al.	439/79

Primary Examiner—Joel Sincavage
Attorney, Agent, or Firm—Wei Te Chung

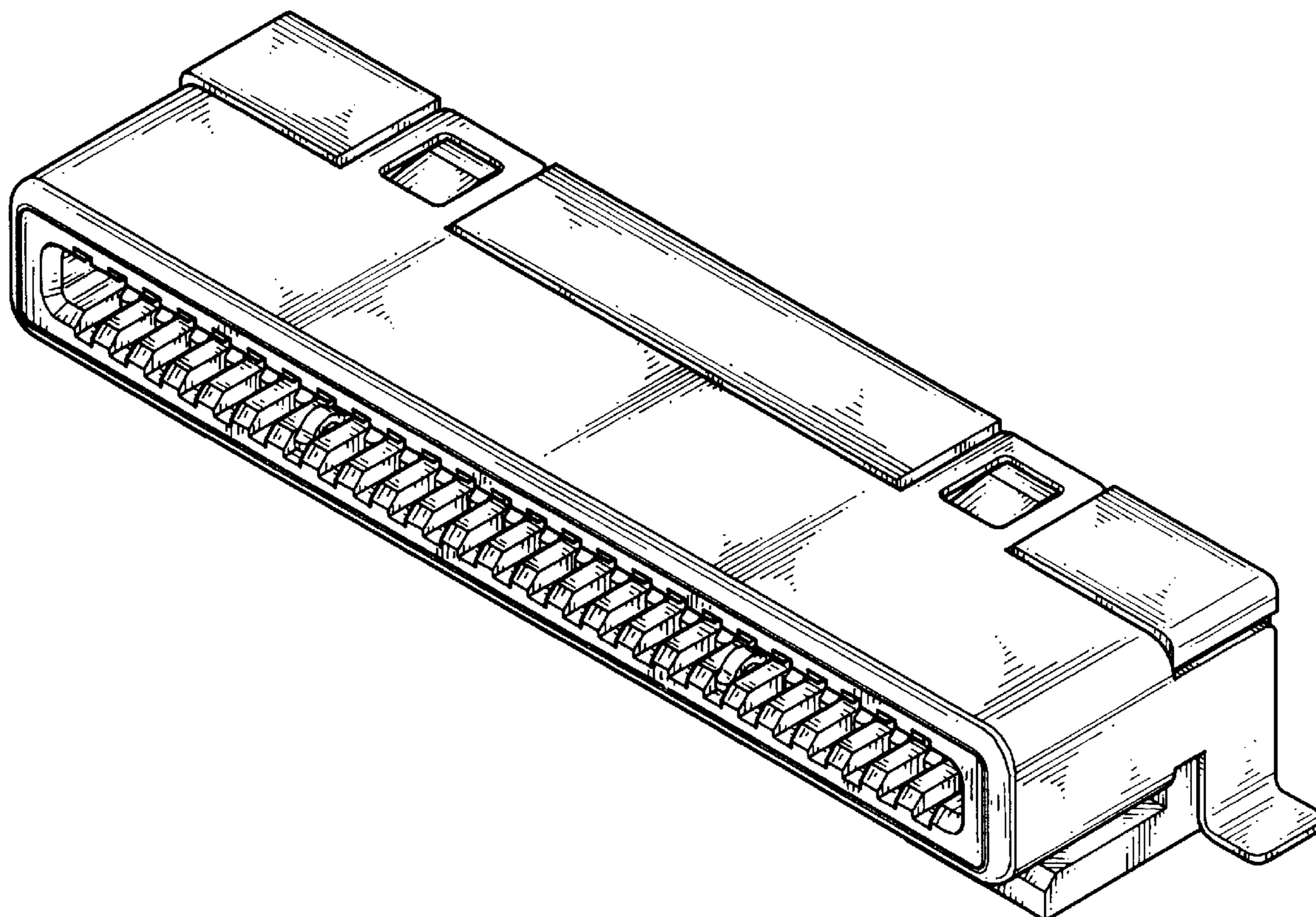
[57] **CLAIM**

The ornamental design for an electrical connector, as shown.

DESCRIPTION

FIG. 1 is a front-right-top perspective view of an electrical connector showing my new design;
FIG. 2 is a front elevational view thereof;
FIG. 3 is a rear elevational view thereof;
FIG. 4 is a left side elevational view thereof;
FIG. 5 is a right side elevational view thereof;
FIG. 6 is a top plan view thereof; and,
FIG. 7 is a bottom plan view thereof.

1 Claim, 4 Drawing Sheets



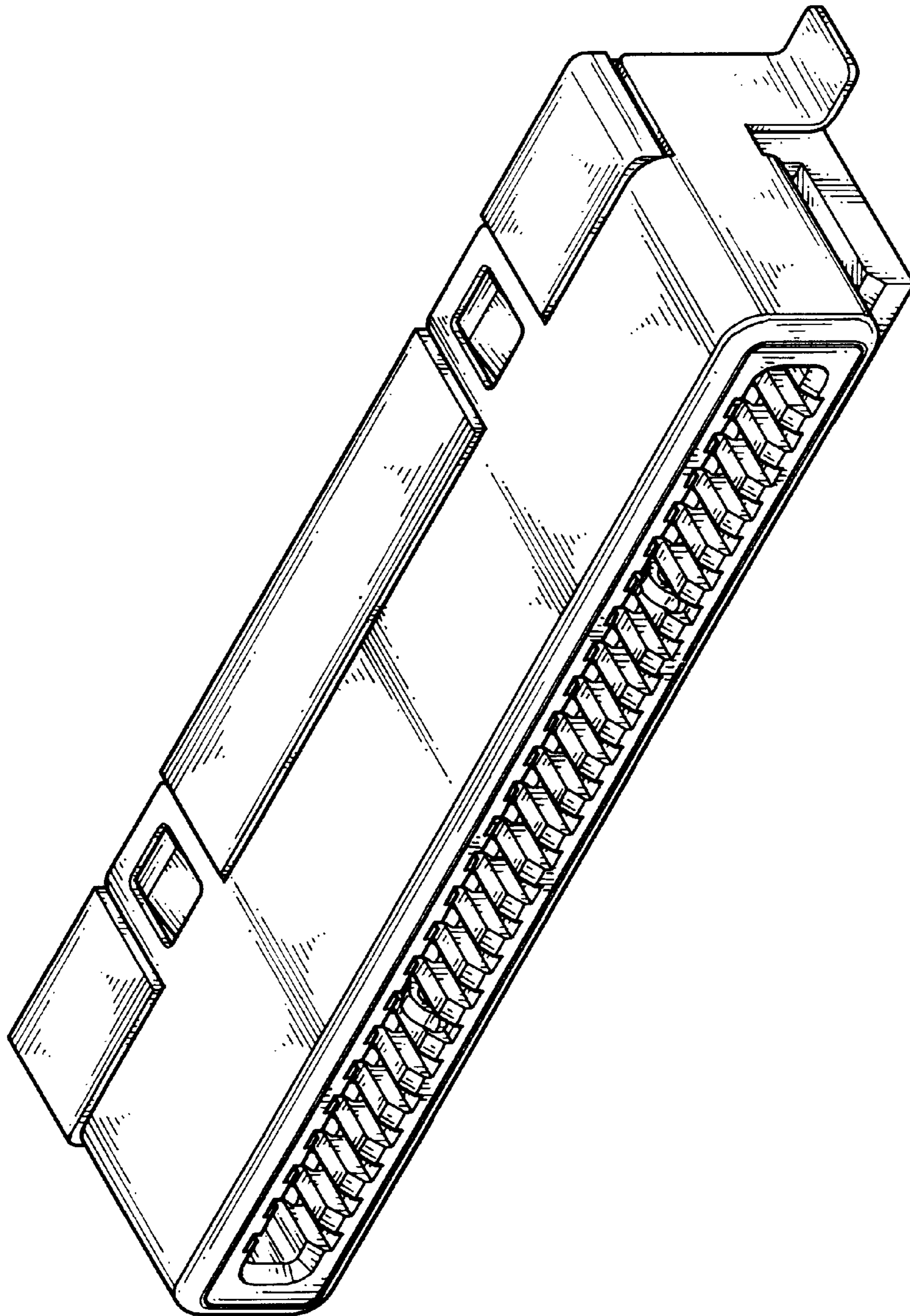


FIG. 1

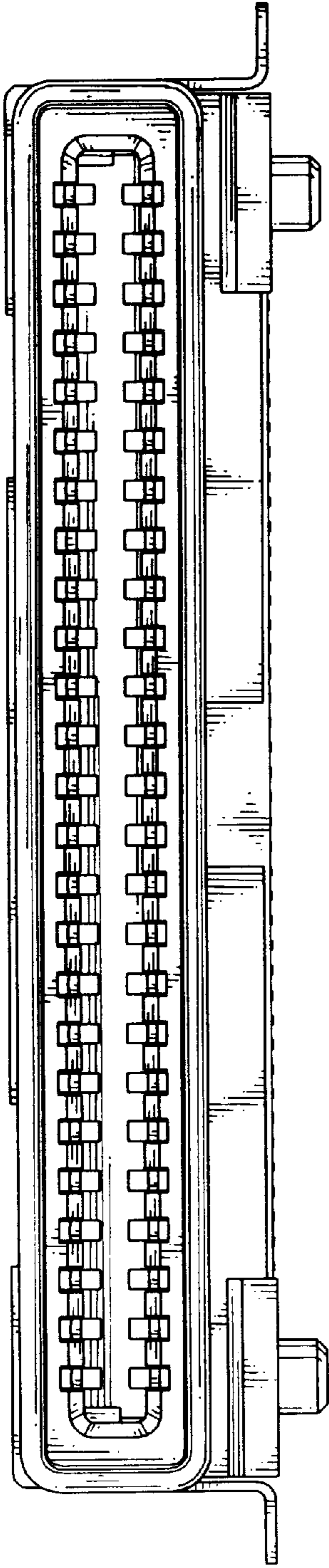


FIG. 2

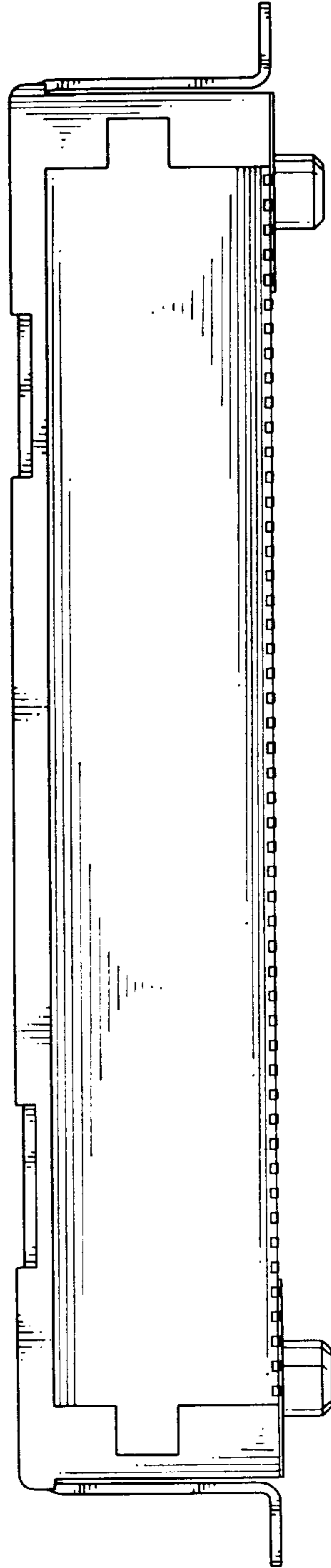


FIG. 3

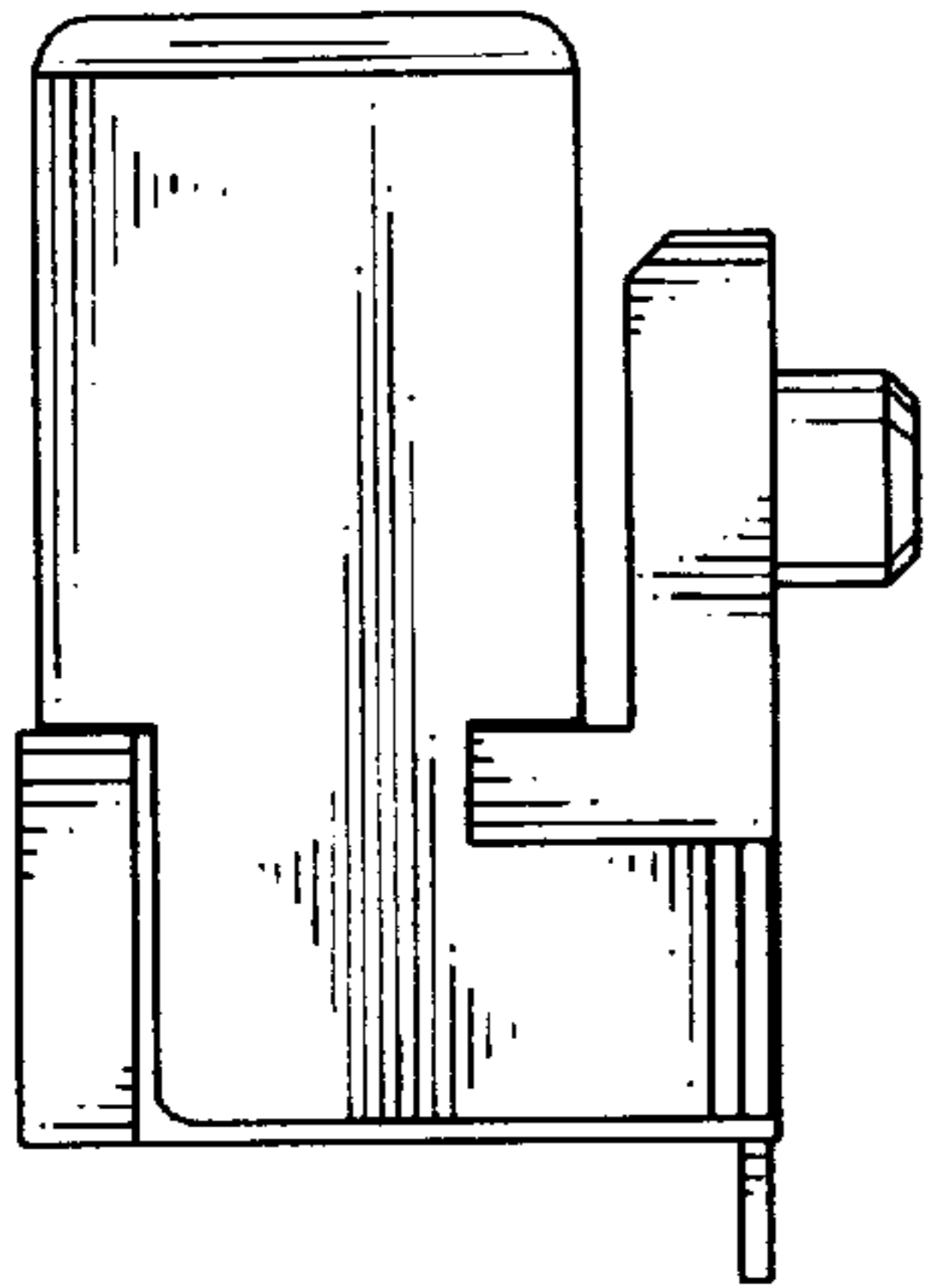


FIG. 4

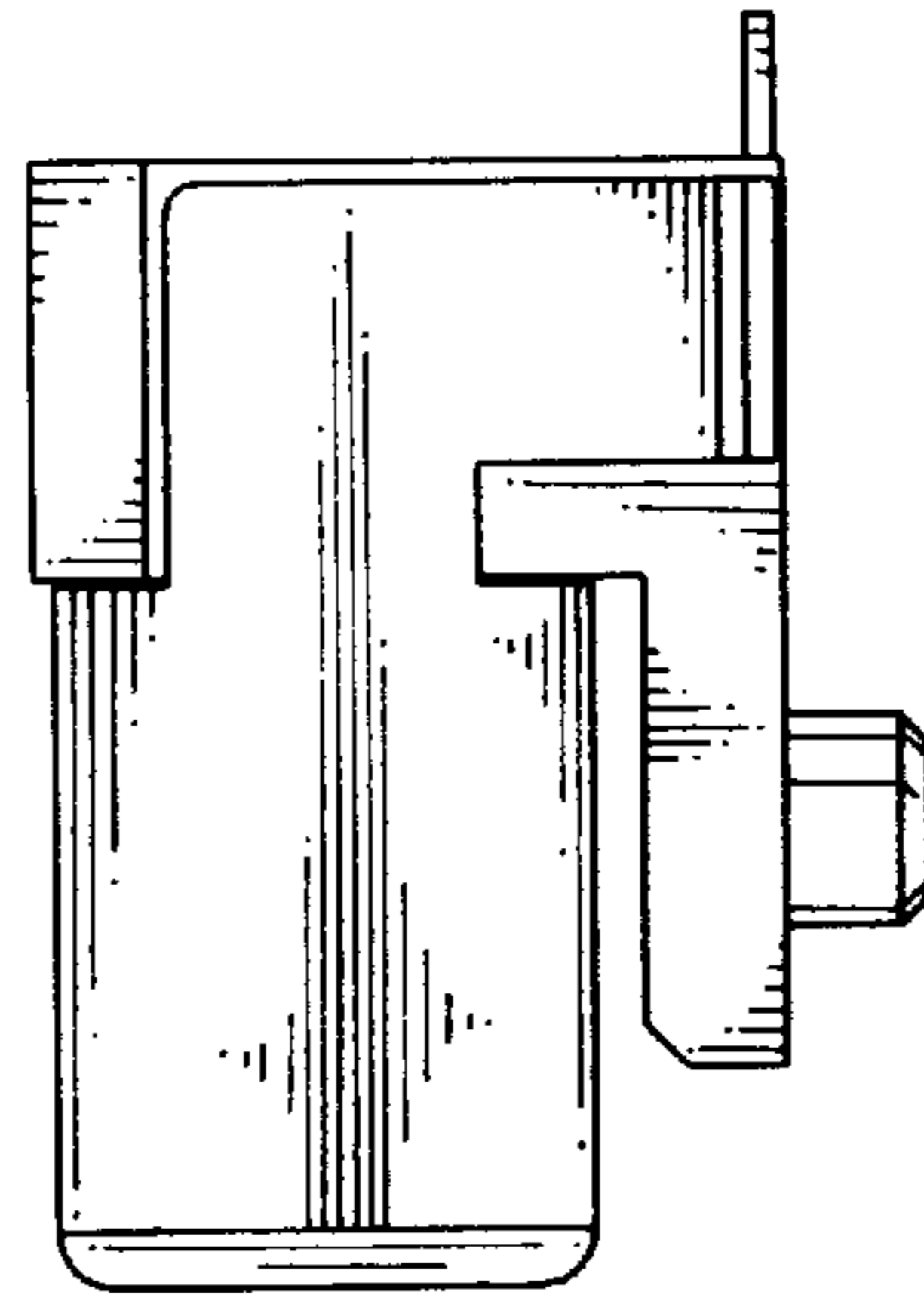


FIG. 5

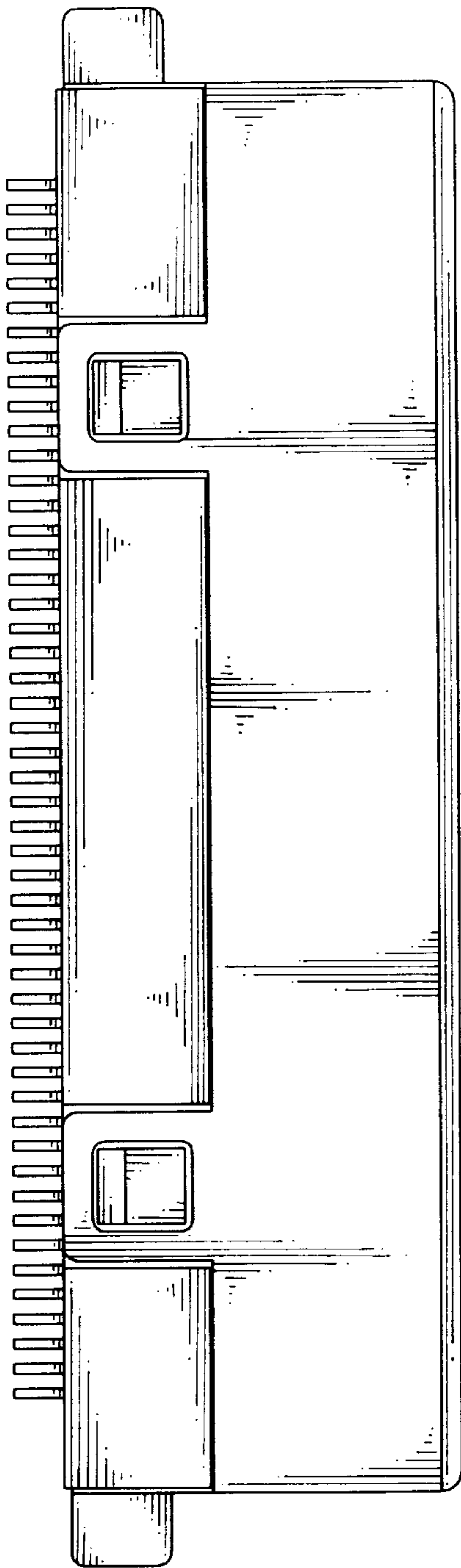


FIG. 6

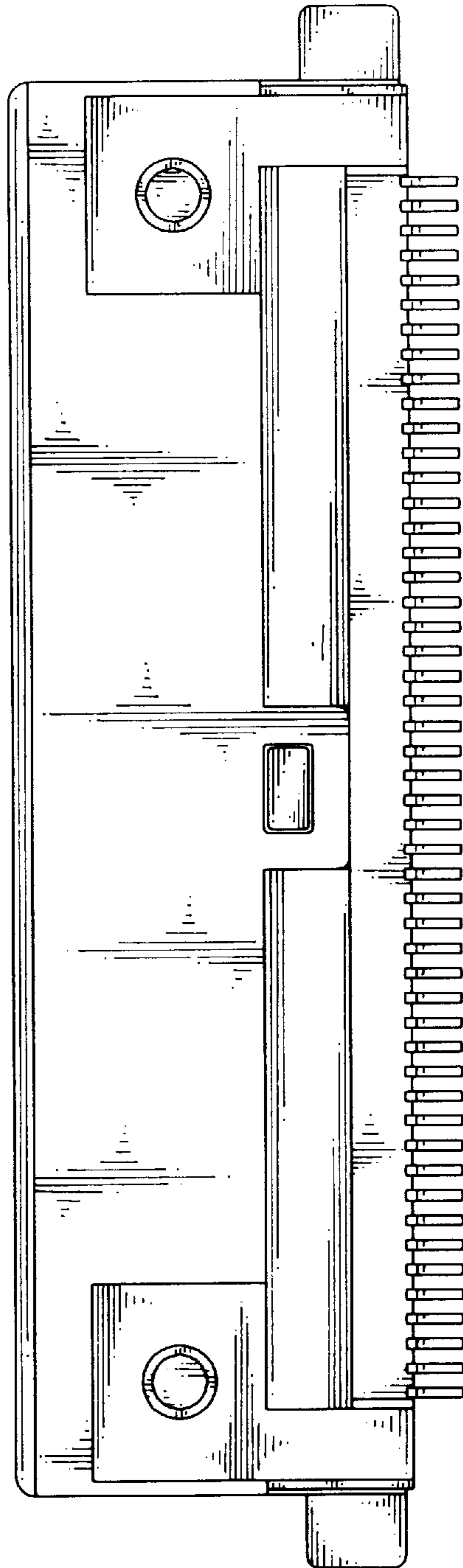


FIG. 7