



US00D416864S

# United States Patent [19] Huang

[11] Patent Number: **Des. 416,864**

[45] Date of Patent: **\*\* Nov. 23, 1999**

[54] **ELECTRICAL CONNECTOR**

[75] Inventor: **Wayne Huang**, Alhambra, Calif.

[73] Assignee: **Hon Hai Precision Ind. Co., Ltd.**,  
Taipei Hsien, Taiwan

[\*\*] Term: **14 Years**

[21] Appl. No.: **29/100,188**

[22] Filed: **Feb. 4, 1999**

[51] **LOC (6) Cl.** ..... **13-03**

[52] **U.S. Cl.** ..... **D13/147**

[58] **Field of Search** ..... D13/146, 147,  
D13/154; 439/362, 636, 610, 607, 608

[56] **References Cited**

**U.S. PATENT DOCUMENTS**

D. 401,905	12/1998	Sato	.....	D13/147
D. 406,819	3/1999	Taguchi	.....	D13/154
4,577,919	3/1986	Waters	.....	439/597
4,861,276	8/1989	Muller et al.	.....	439/365

5,108,294	4/1992	Marsh et al.	.....	439/76.1
5,158,474	10/1992	Frantz	.....	439/362
5,342,216	8/1994	Davis et al.	.....	439/362
5,829,991	11/1998	Murphy et al.	.....	439/98

*Primary Examiner*—Joel Sincavage  
*Attorney, Agent, or Firm*—Wei Te Chung

[57] **CLAIM**

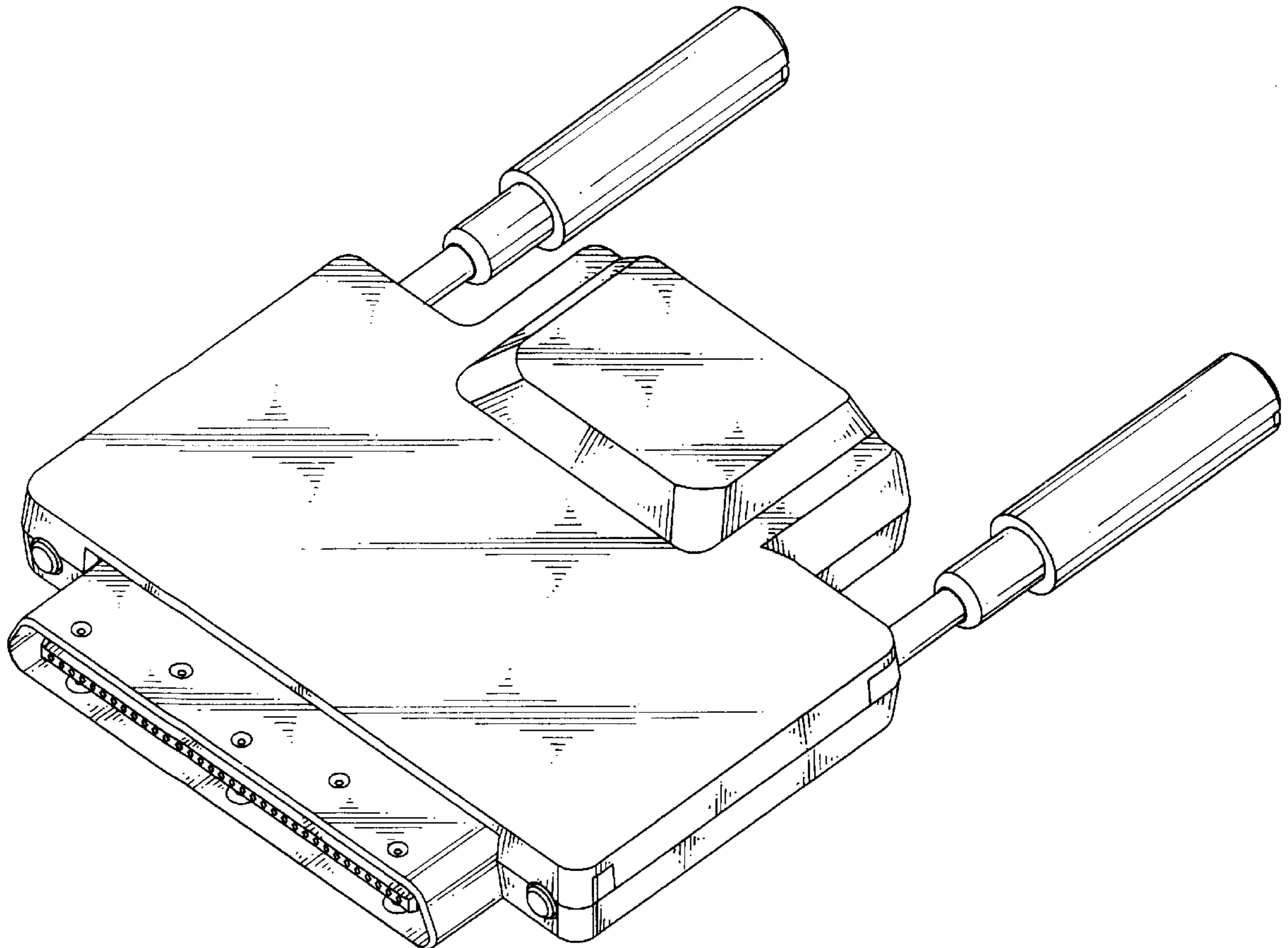
The ornamental design for an electrical connector, as shown and described.

**DESCRIPTION**

FIG. 1 is a front-right-top perspective view of an electrical connector showing my new design;  
FIG. 2 is a front elevational view thereof;  
FIG. 3 is a rear elevational view thereof;  
FIG. 4 is a left side elevational view thereof;  
FIG. 5 is a right side elevational view thereof; and,  
FIG. 6 is a top plan view thereof.

The connector as seen from the bottom forms no part of the claimed design.

**1 Claim, 4 Drawing Sheets**



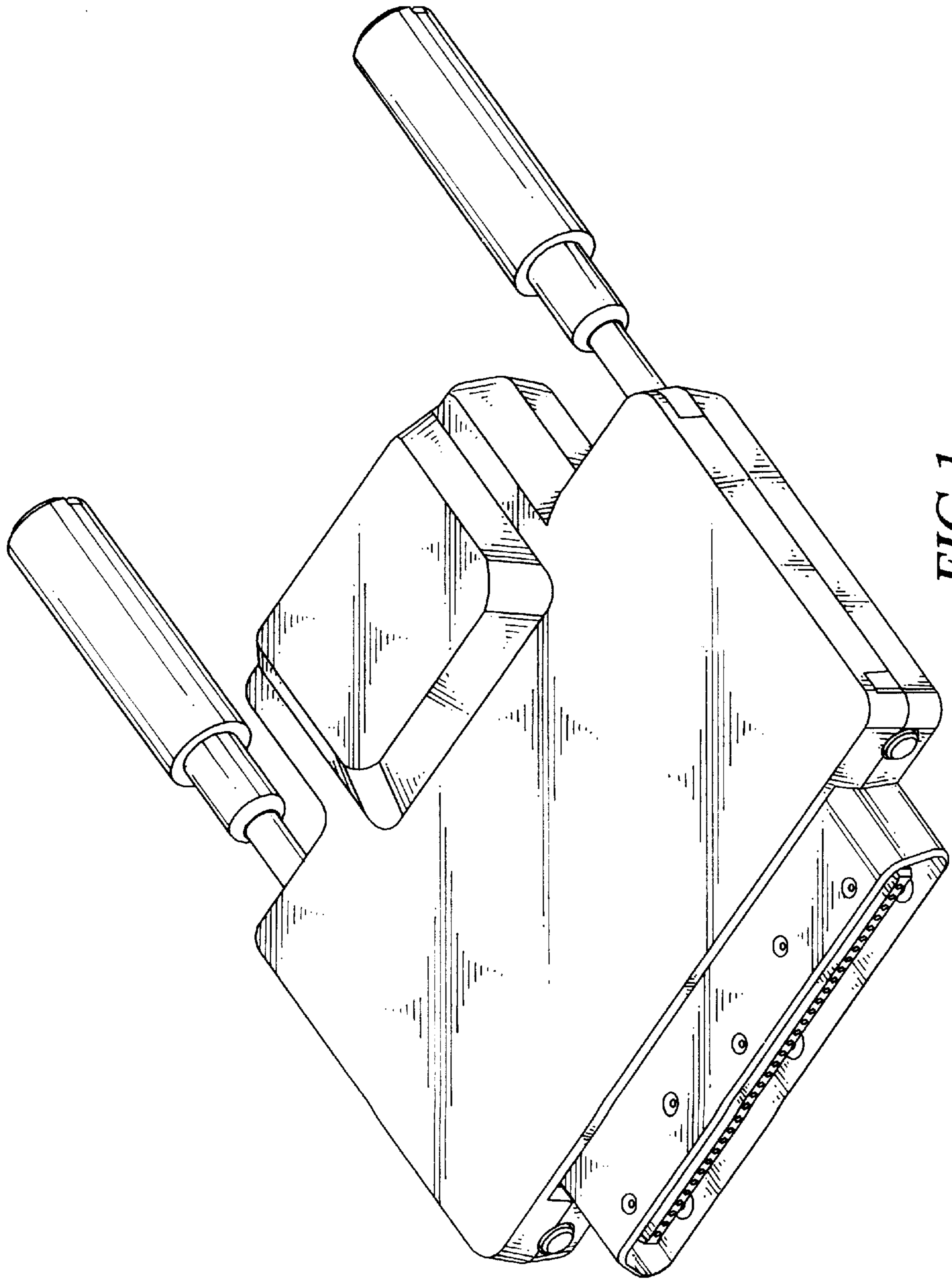
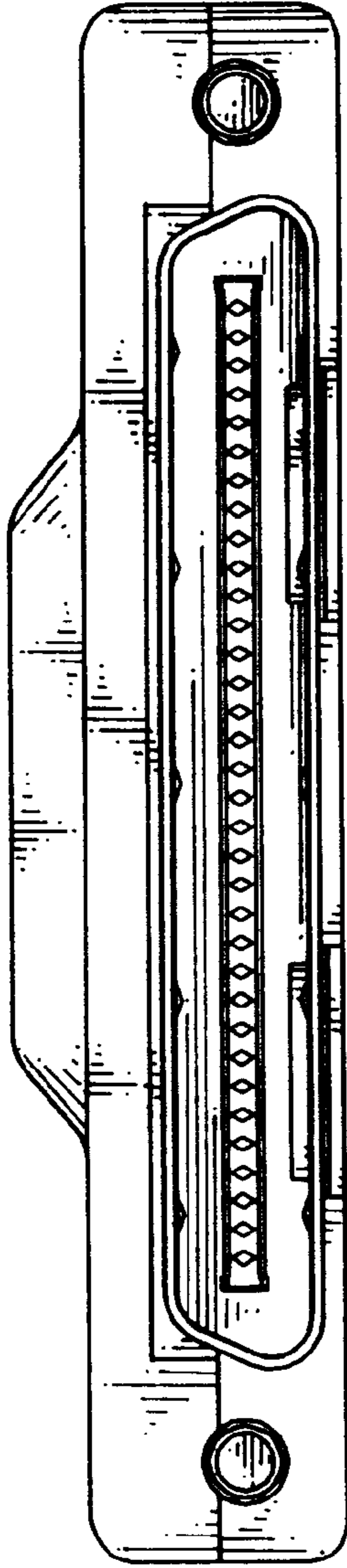
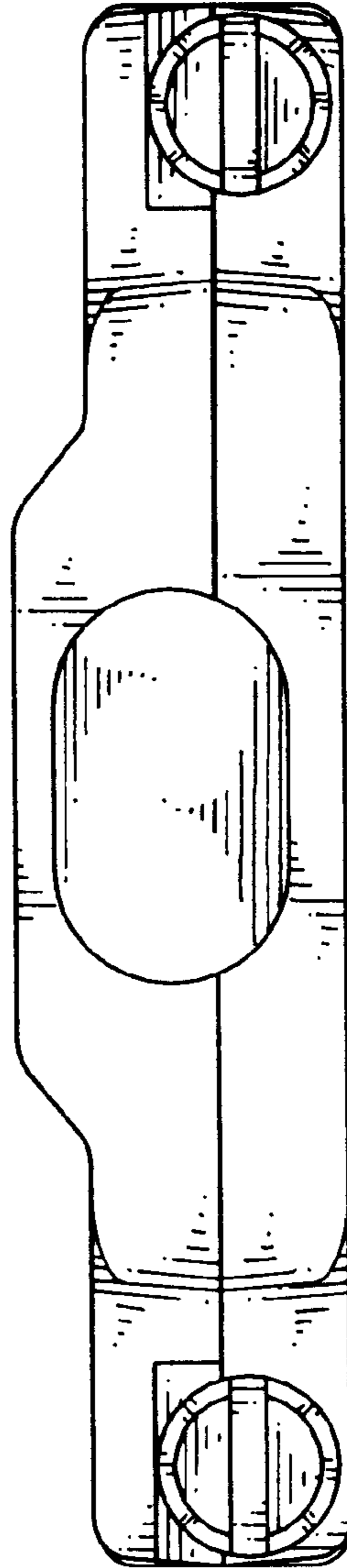


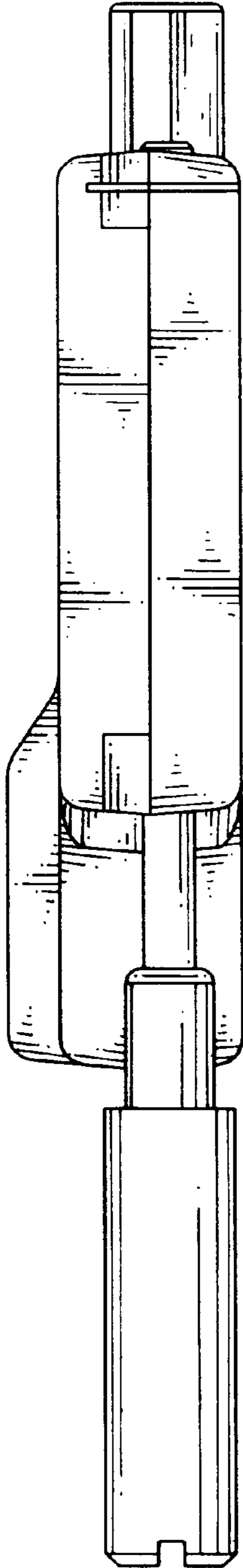
FIG. 1



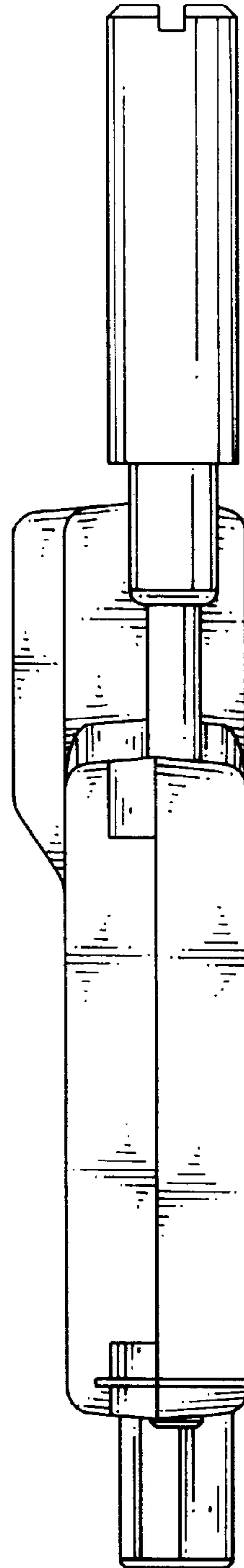
*FIG. 2*



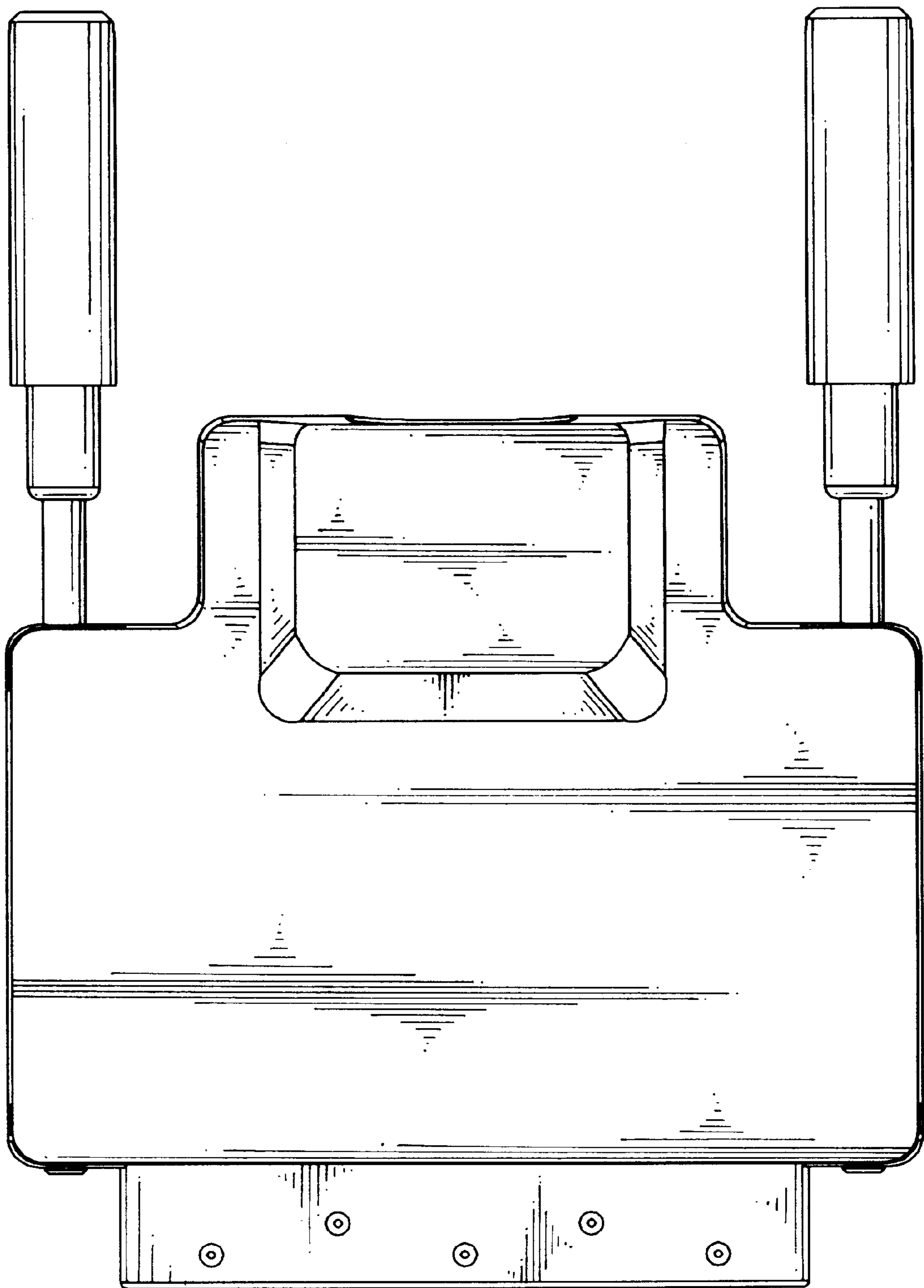
*FIG. 3*



*FIG. 4*



*FIG. 5*



*FIG. 6*