



US00D416862S

United States Patent [19] Chiou

[11] Patent Number: Des. 416,862

[45] Date of Patent: ** Nov. 23, 1999

[54] ELECTRICAL CONNECTOR

[75] Inventor: Song-Rong Chiou, Lin Kou Hsiang,
Taiwan

[73] Assignee: Hon Hai Precision Ind. Co., Ltd.,
Taipei Hsien, Taiwan

[**] Term: 14 Years

[21] Appl. No.: 29/098,226

[22] Filed: Dec. 22, 1998

[30] Foreign Application Priority Data

Aug. 7, 1998 [TW] Taiwan 87305787

[51] LOC (6) Cl. 13-03

[52] U.S. Cl. D13/146

[58] Field of Search D13/146, 147;
439/607, 609, 939, 79

[56] References Cited

U.S. PATENT DOCUMENTS

| | | | | |
|------------|---------|-----------|-------|---------|
| D. 298,312 | 11/1988 | Sekiguchi | | D13/147 |
| D. 310,512 | 9/1990 | Tajima | | D13/146 |
| D. 310,513 | 9/1990 | Tajima | | D13/146 |

| | | | | |
|------------|--------|------------------|-------|---------|
| D. 314,943 | 2/1991 | Tajima | | D13/147 |
| 4,913,664 | 4/1990 | Dixon et al. | | 439/607 |
| 4,983,127 | 1/1991 | kawai et al. | | 439/79 |
| 5,007,862 | 4/1991 | Defibaugh et al. | | 439/607 |
| 5,037,330 | 8/1991 | Fulponi et al. | | 439/607 |
| 5,192,228 | 3/1993 | Collins et al. | | 439/567 |
| 5,281,169 | 1/1994 | Kiat et al. | | 439/607 |
| 5,288,248 | 2/1994 | Chen | | 439/609 |
| 5,622,523 | 4/1997 | Kan et al. | | 439/607 |

Primary Examiner—Joel Sincavage
Attorney, Agent, or Firm—Wei Te Chung

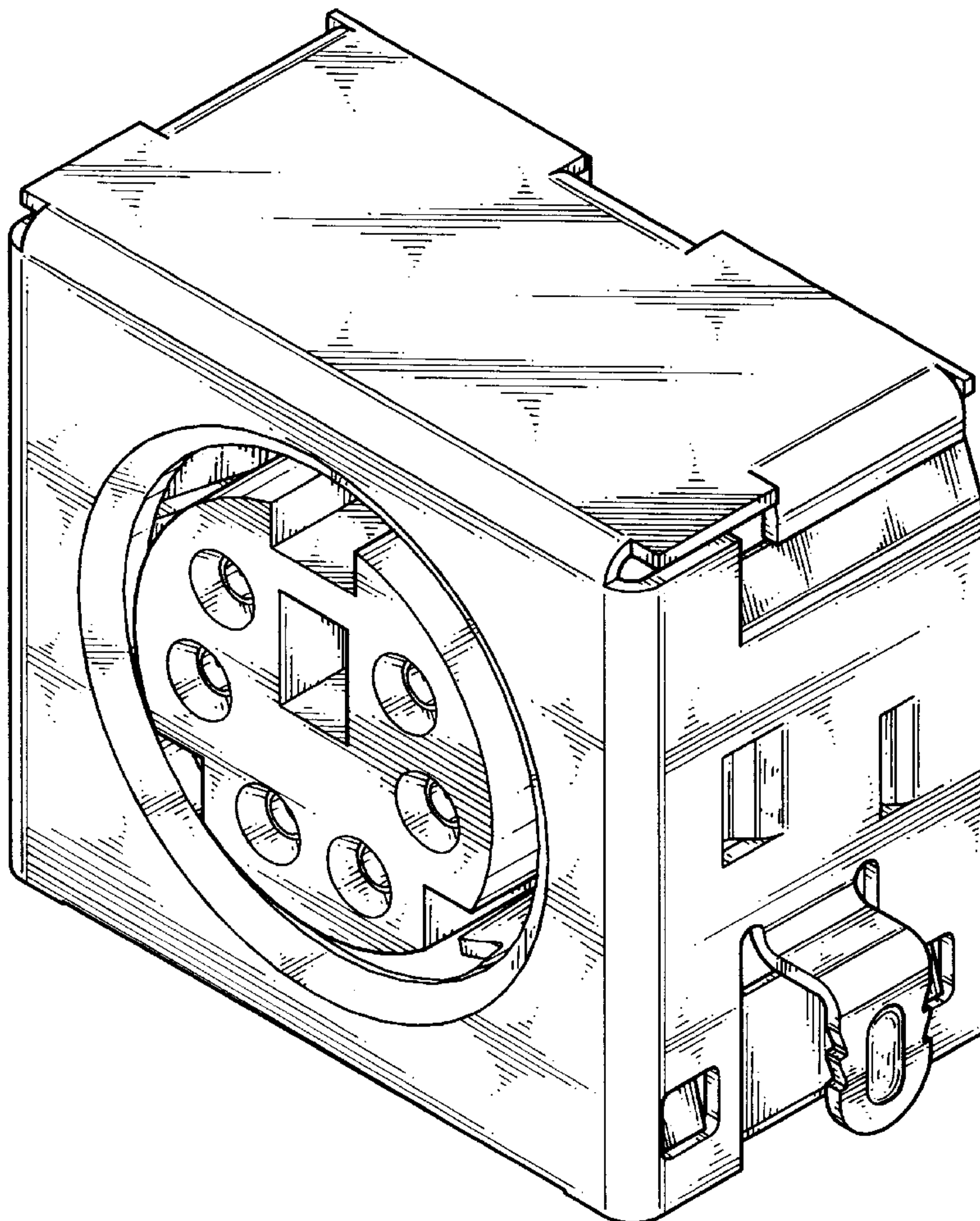
[57] CLAIM

The ornamental design for an electrical connector, as shown.

DESCRIPTION

FIG. 1 is a front, top and right perspective view of an electrical connector showing my new design; FIG. 2 is a front view thereof; FIG. 3 is a rear view thereof; FIG. 4 is a left side elevational view thereof; FIG. 5 is a right side elevational view thereof; FIG. 6 is a top plan view thereof; FIG. 7 is a bottom plan view thereof; and, FIG. 8 is a rear, top and right perspective view thereof.

1 Claim, 8 Drawing Sheets



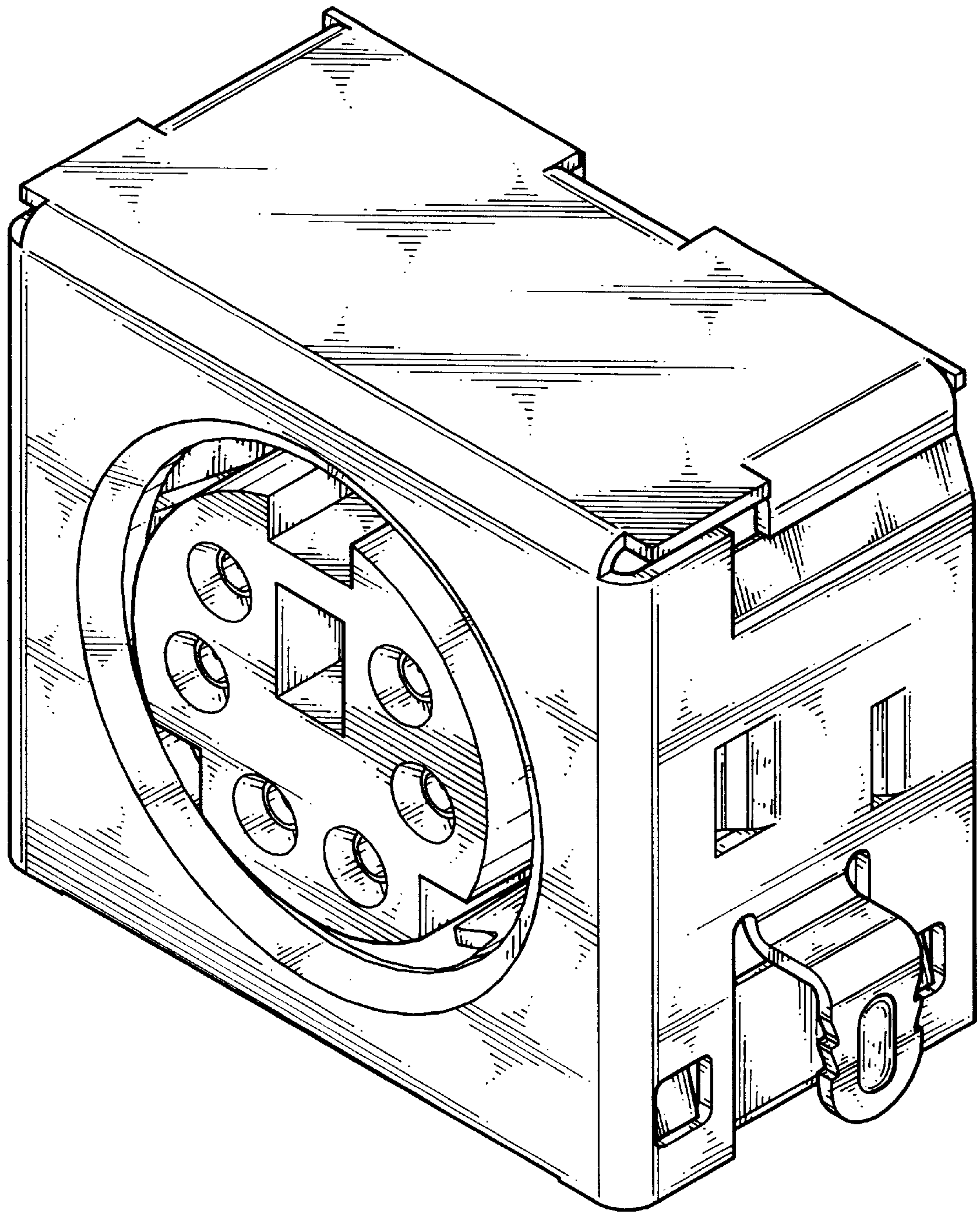


FIG.1

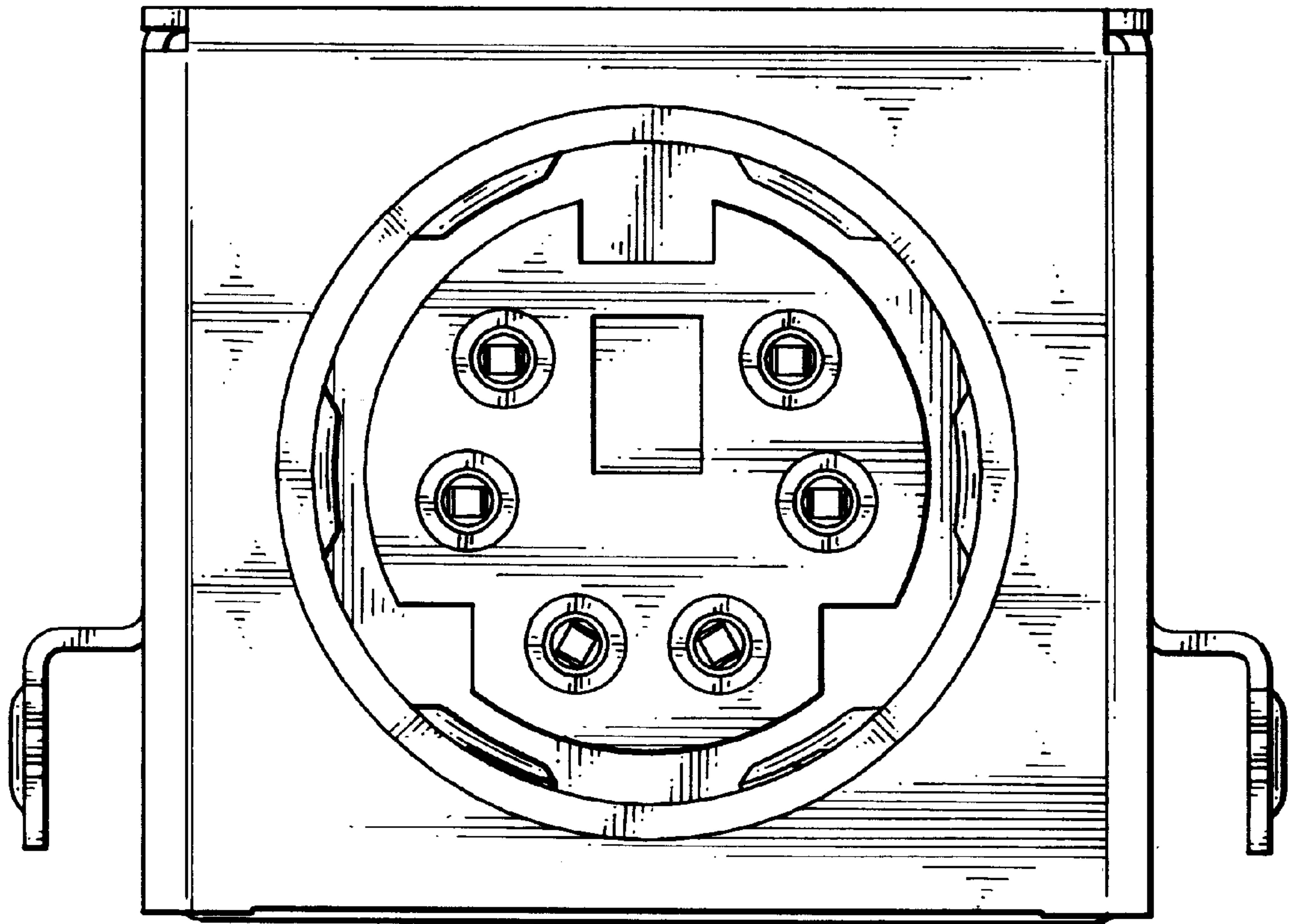


FIG.2

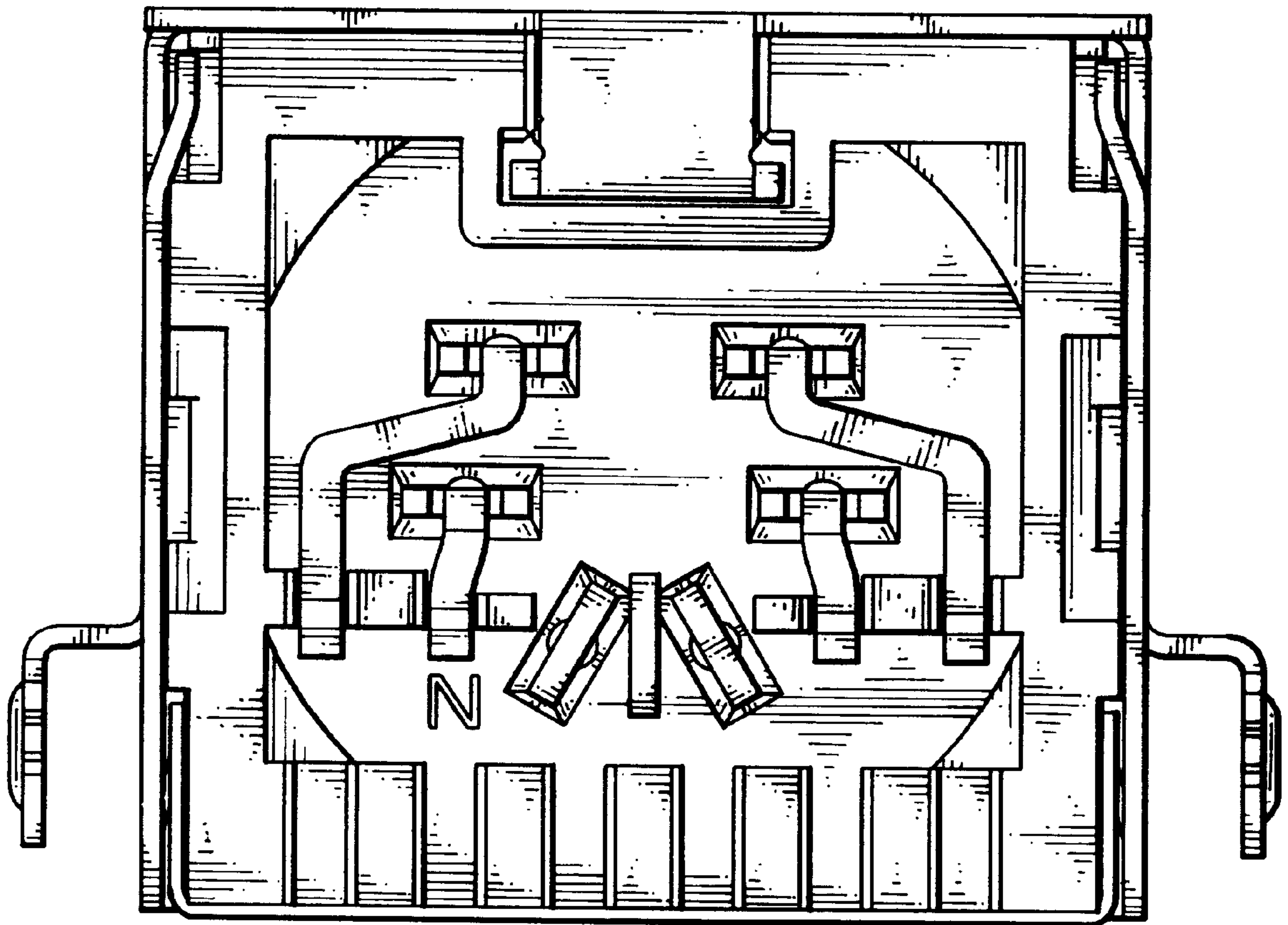


FIG.3

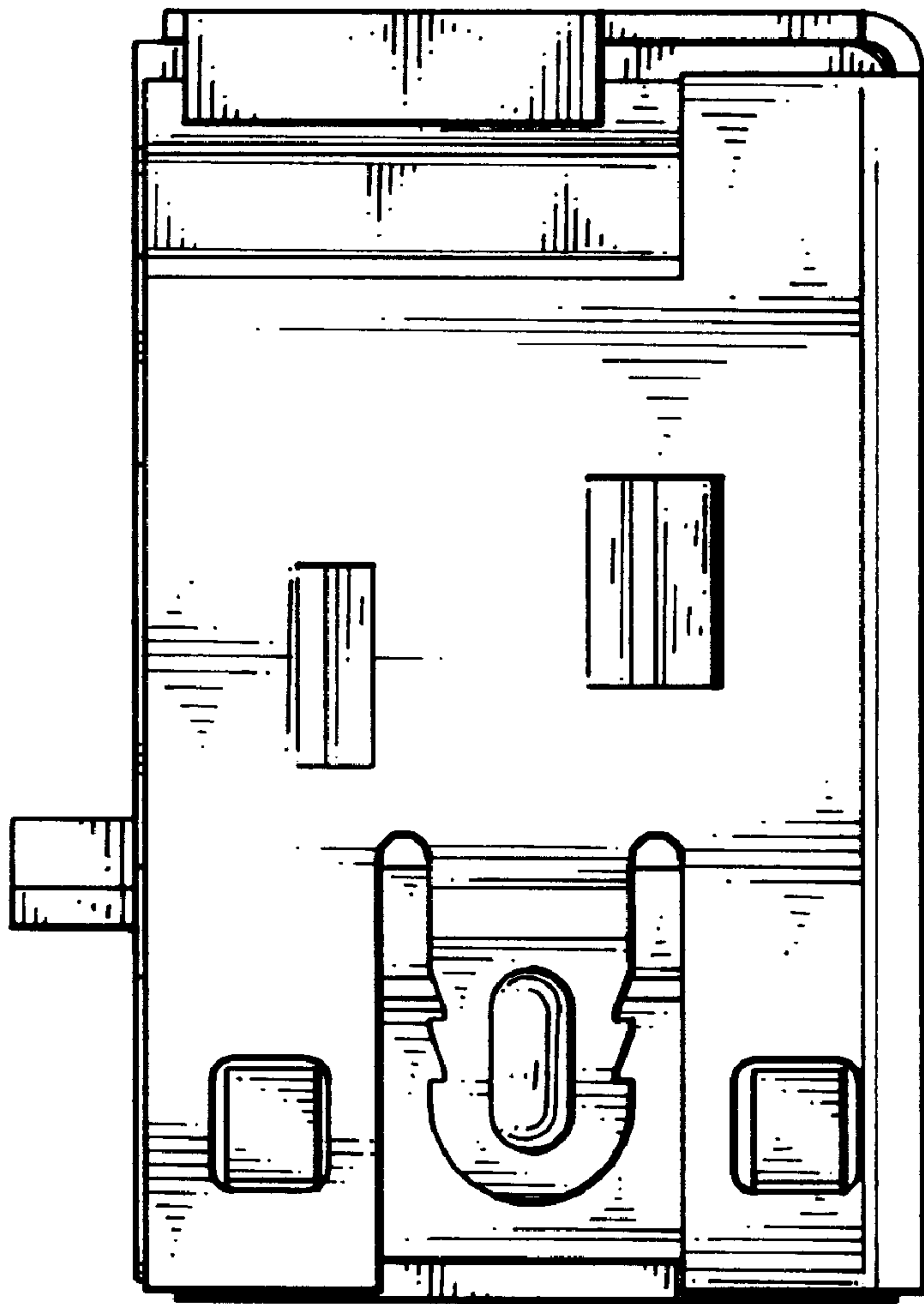


FIG. 4

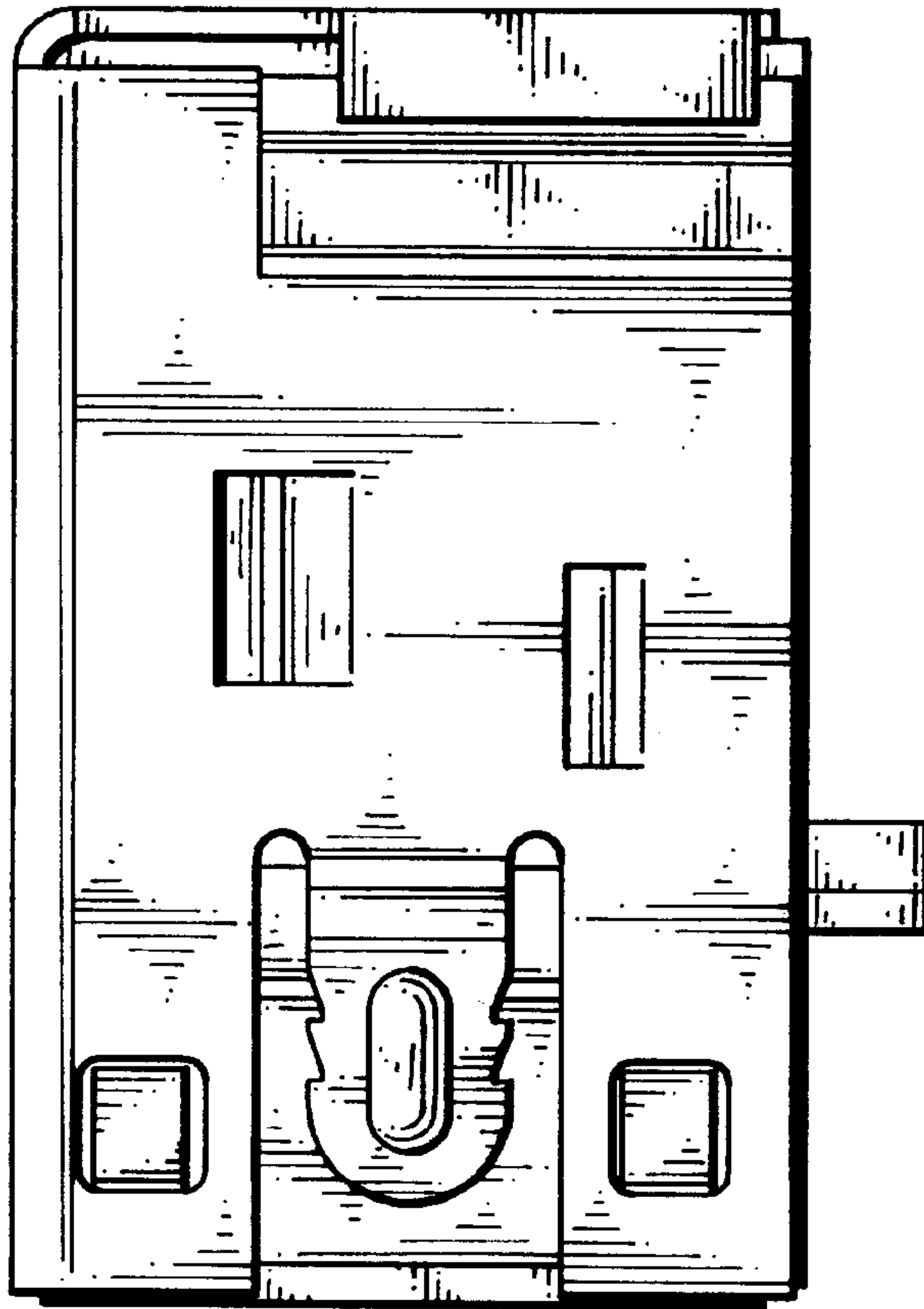


FIG.5

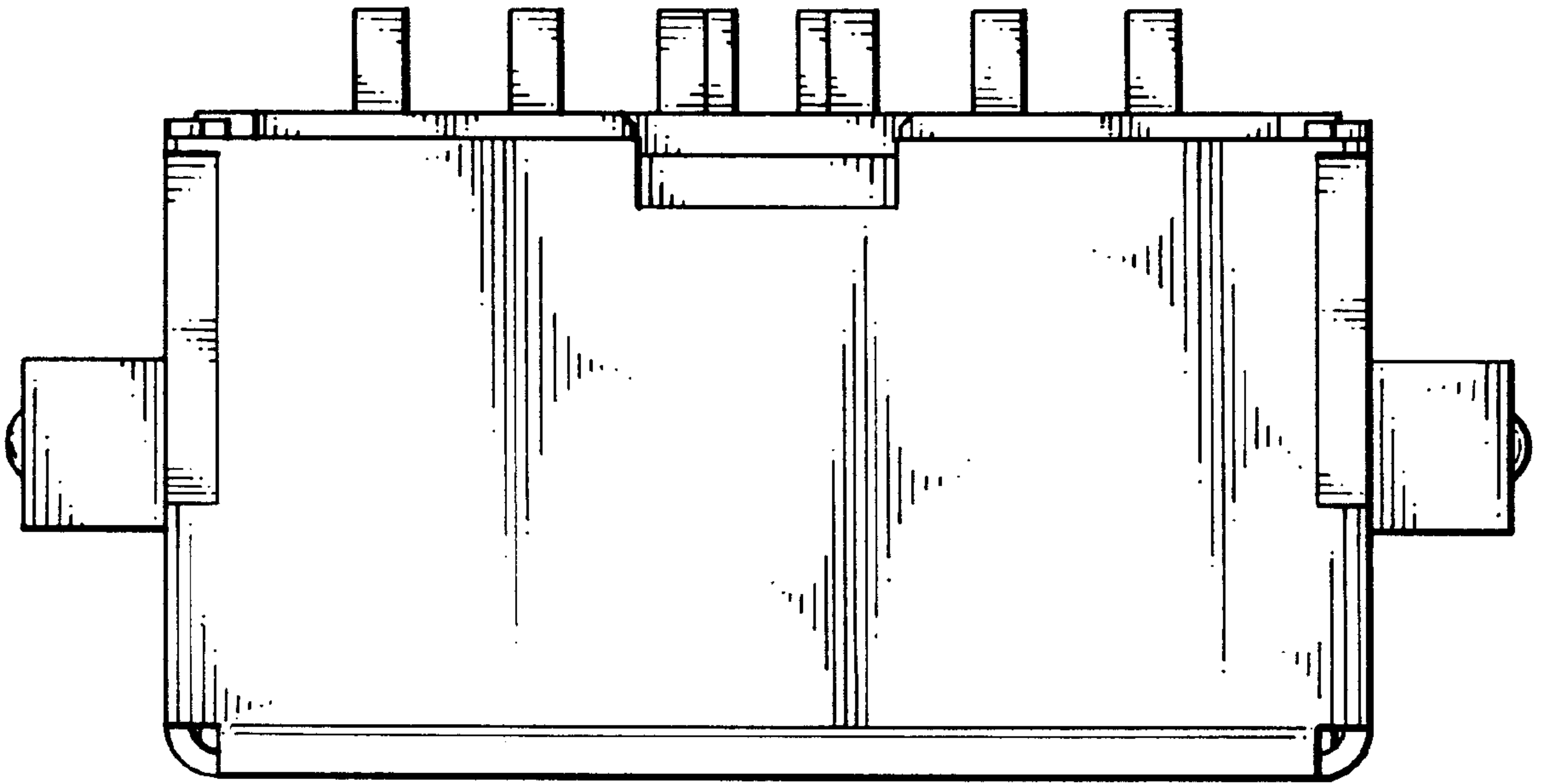


FIG.6

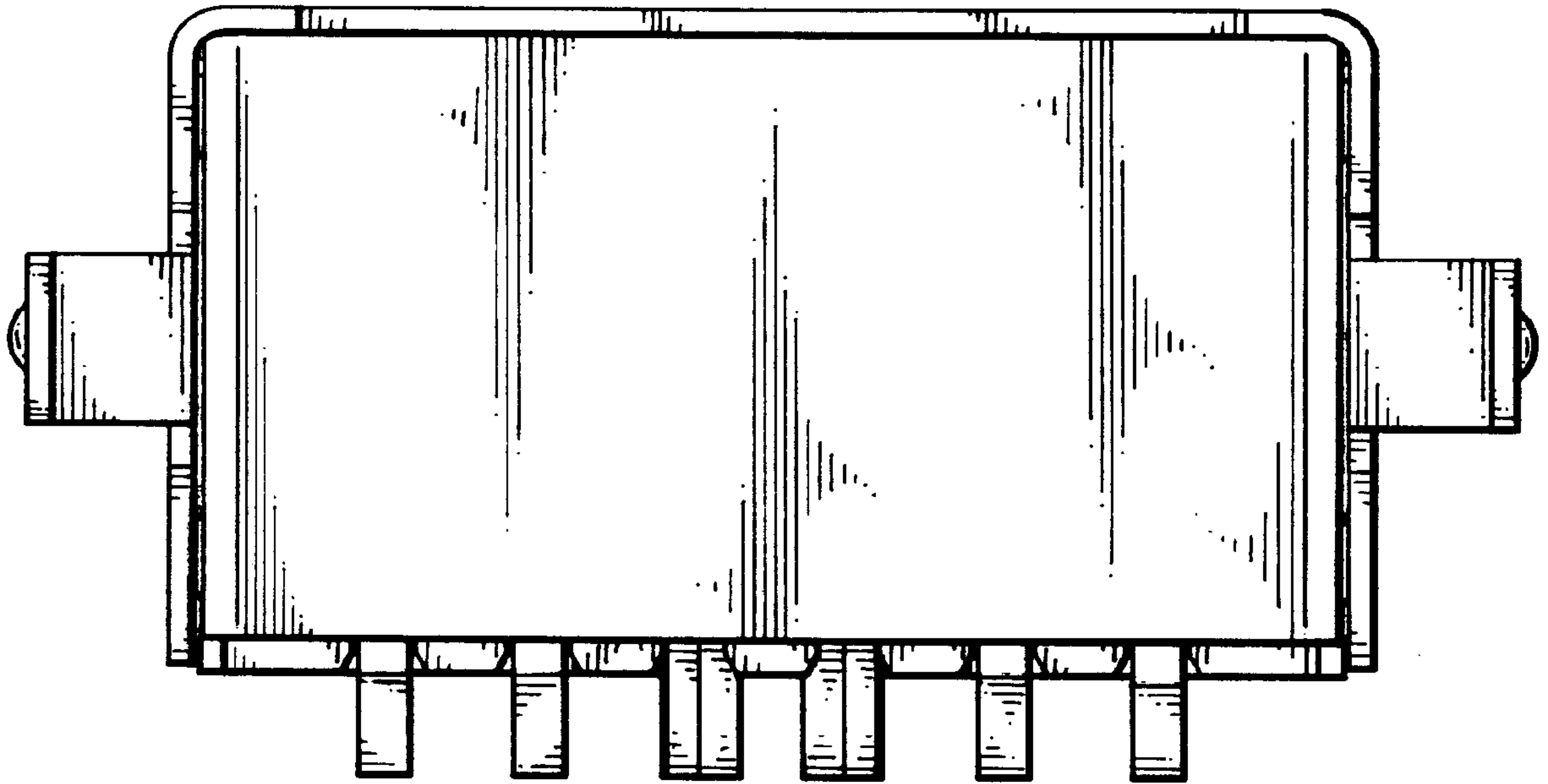


FIG. 7

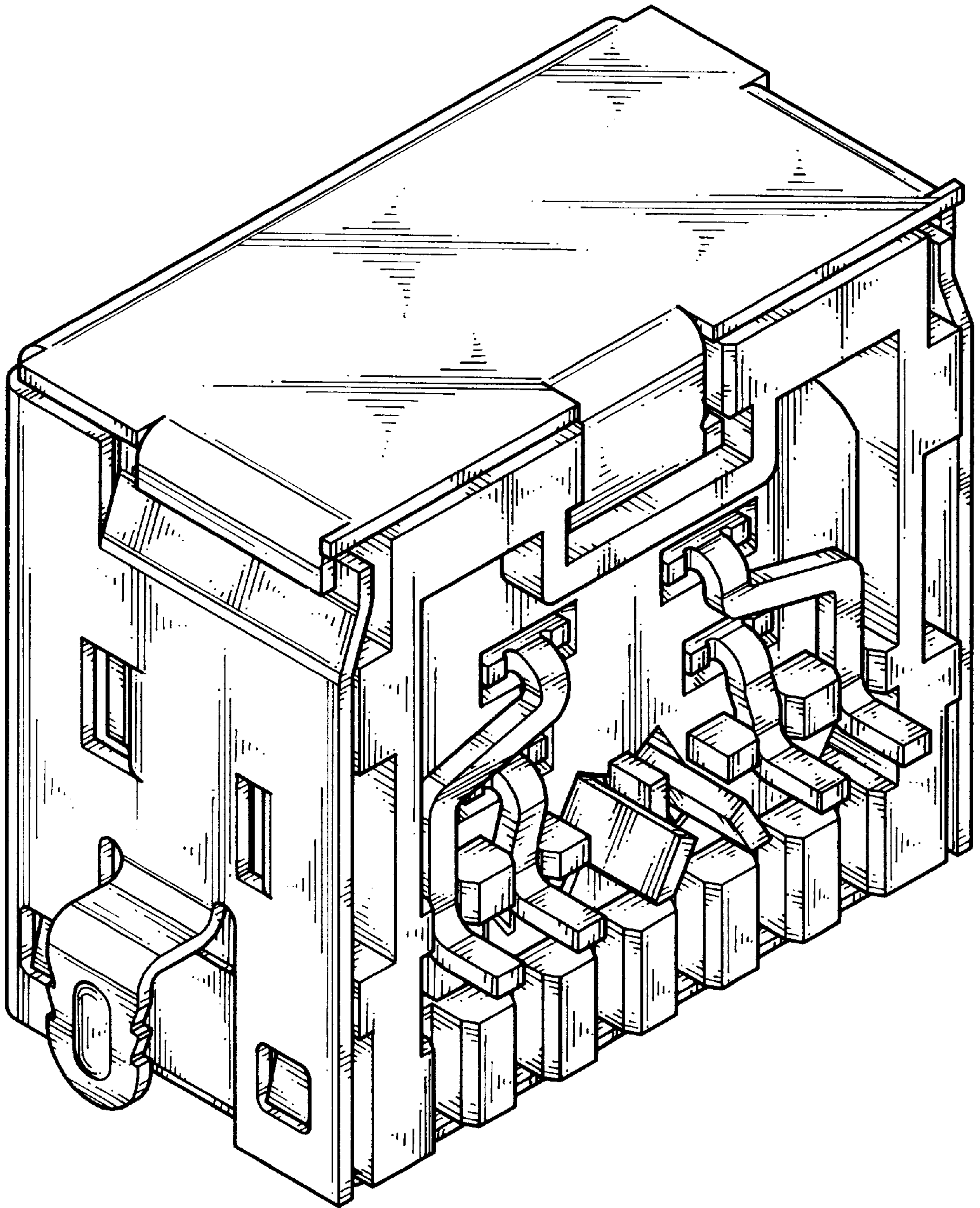


FIG.8