



US00D416860S

**United States Patent** [19]  
**Seiwert et al.**

[11] **Patent Number: Des. 416,860**

[45] **Date of Patent: \*\* Nov. 23, 1999**

[54] **EXTENSION CORD WITH MULTIPLE RECEPTACLES**

[76] Inventors: **Michael R Seiwert; Linda M Seiwert**, both of 714 Gettysburg Dr., Arlington Heights, Ill. 60004

[\*\*] Term: **14 Years**

[21] Appl. No.: **29/078,803**

[22] Filed: **Oct. 31, 1997**

[51] **LOC (6) Cl. .... 13-03**

[52] **U.S. Cl. .... D13/137.4**

[58] **Field of Search** ..... 439/502, 505, 439/650-652, 654; D13/137.1-137.4, 139.1-139.8; 337/189, 198

[56] **References Cited**

**U.S. PATENT DOCUMENTS**

D. 235,265	6/1975	Michener	.....	D13/137.4
D. 256,581	8/1980	Bartin	.....	D13/24
D. 264,330	5/1982	Dumoulin	.....	D13/137.4
D. 324,670	3/1992	Ferraro	.....	D13/137.4
D. 362,229	9/1995	Moses	.....	D13/137.3
2,696,607	12/1954	Witkin	.....	D13/137.4 X

4,080,036	3/1978	Hagel	.....	439/138.1 X
4,099,824	7/1978	Schoppelrey	.....	339/157
4,955,822	9/1990	Look et al.	.....	439/505
5,213,519	5/1993	Dorfman	.....	439/505
5,234,360	8/1993	Kramer, Jr.	.....	439/505
5,236,374	8/1993	Leonard et al.	.....	439/505

*Primary Examiner*—Susan J. Lucas  
*Assistant Examiner*—Jennifer Rivard  
*Attorney, Agent, or Firm*—Goldstein & Canino

[57] **CLAIM**

The ornamental design for an extension cord with multiple receptacles, as shown and described.

**DESCRIPTION**

FIG. 1 is a diagrammatic perspective view of the extension cord with multiple receptacles.

FIG. 2 is a left side elevational view thereof, the right side elevational view being a mirror image of the left side view.

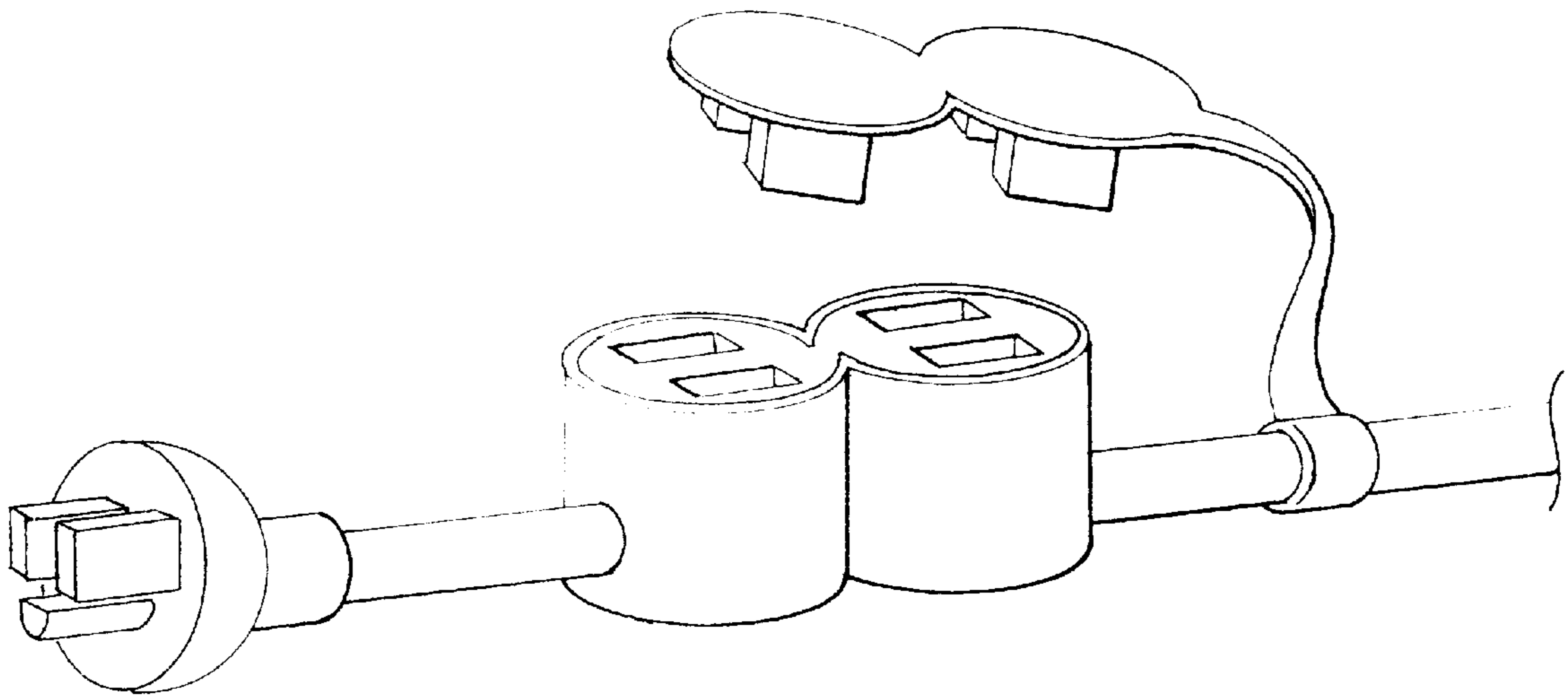
FIG. 3 is a top plan view of the extension cord with multiple receptacles.

FIG. 4 is a bottom plan view thereof.

FIG. 5 is a rear elevational view thereof; and,

FIG. 6 is a front elevational view thereof.

**1 Claim, 3 Drawing Sheets**



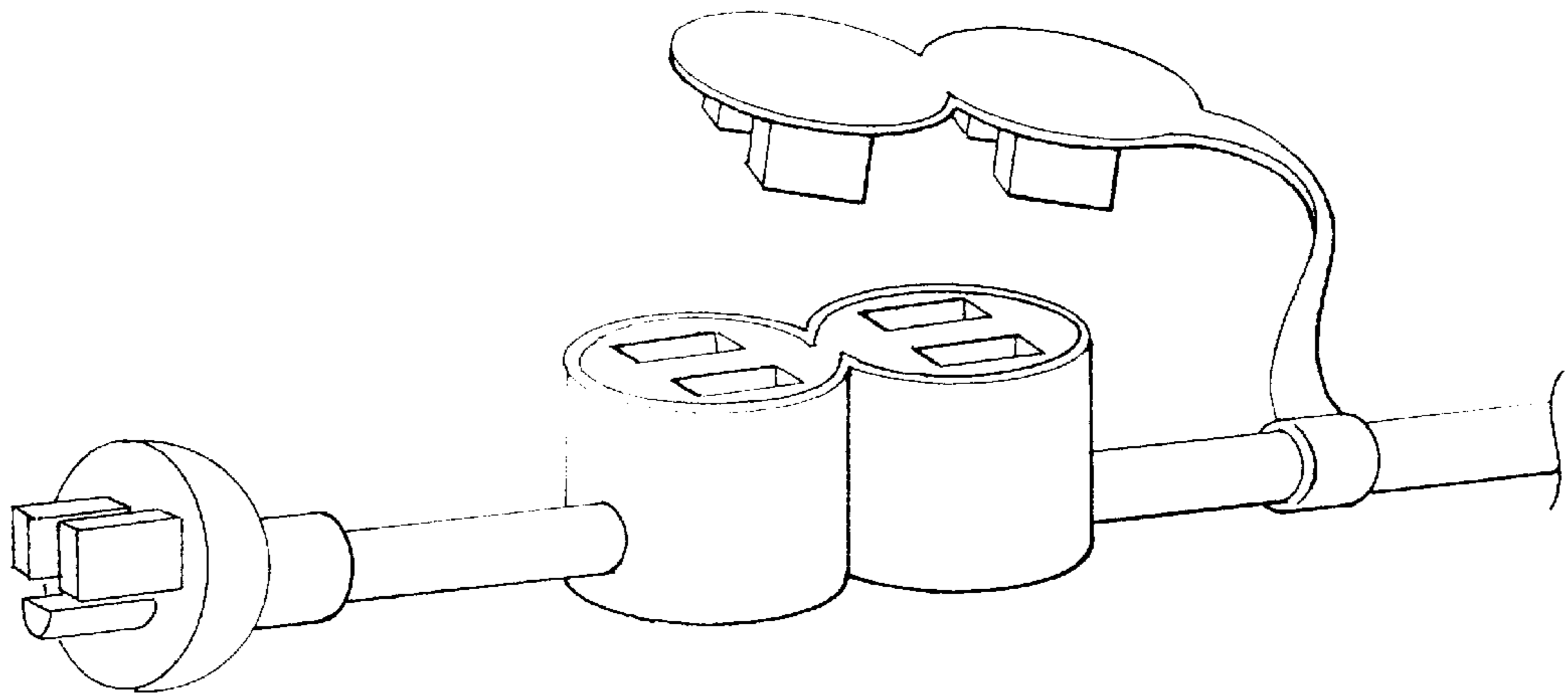


FIG.1

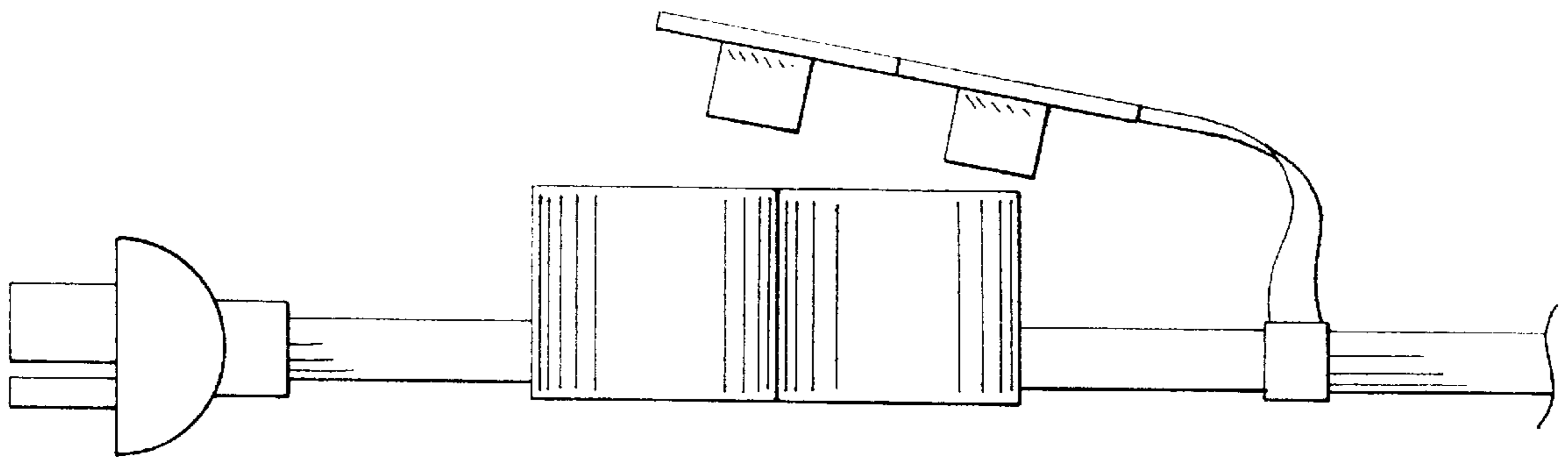


FIG.2

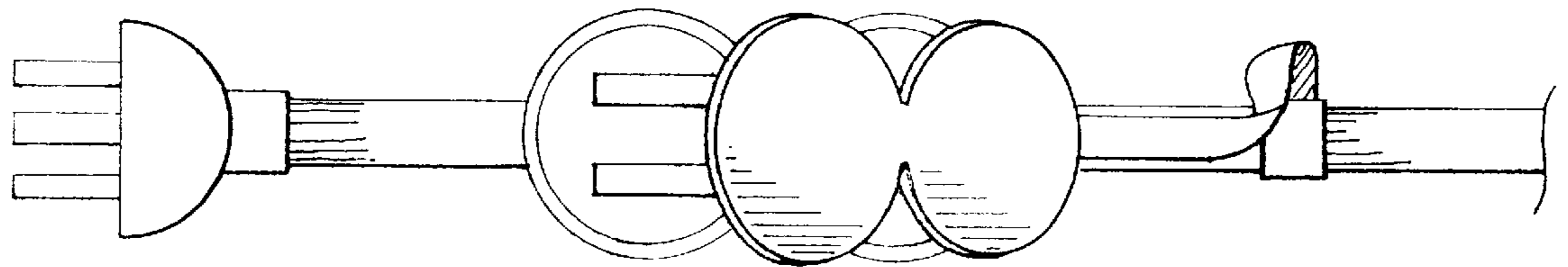


FIG. 3

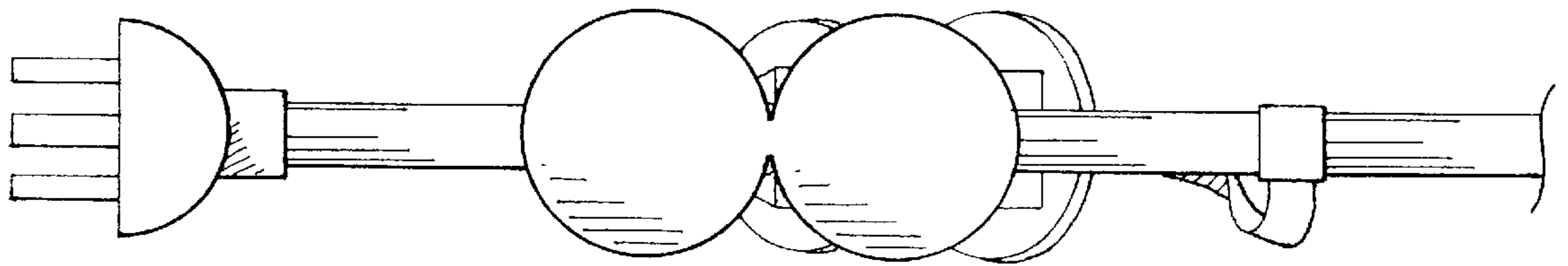


FIG. 4

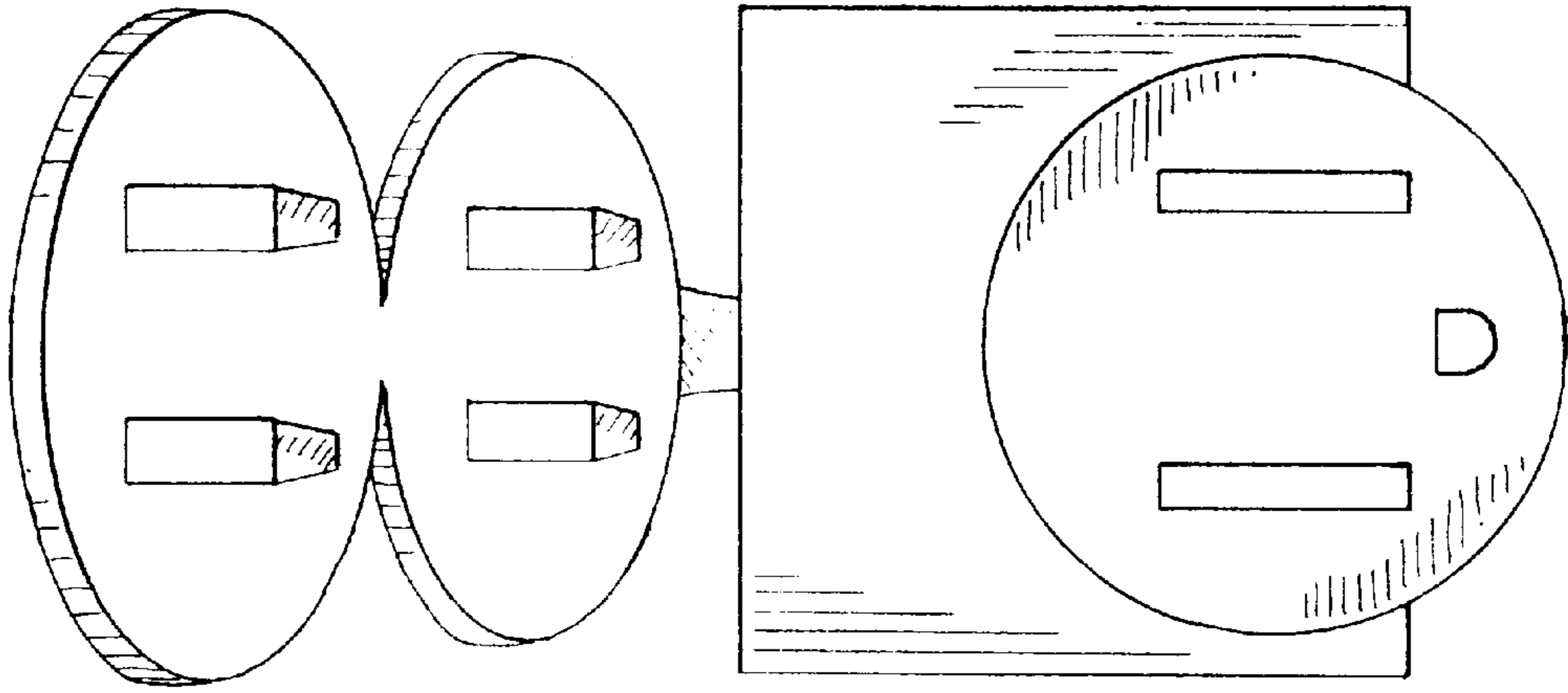


FIG. 5

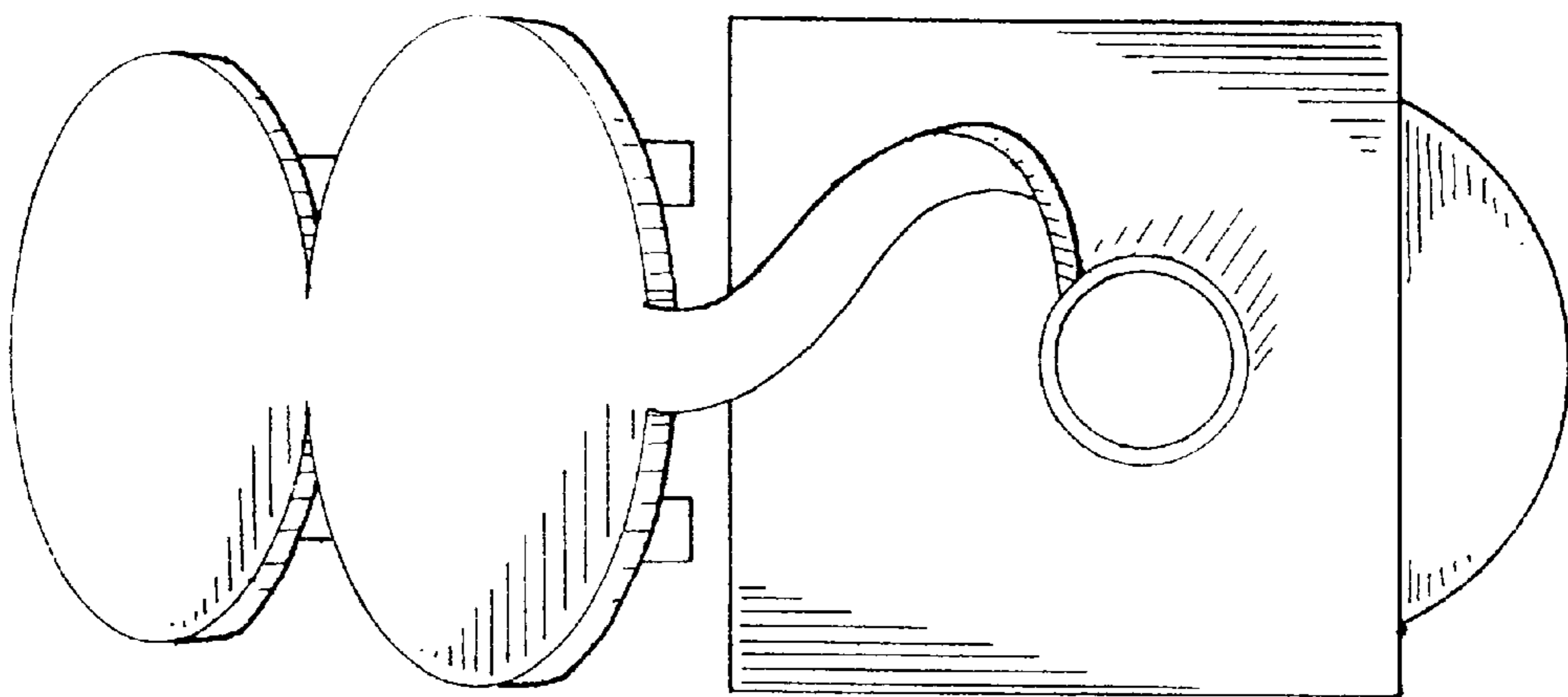


FIG. 6