



US00D416859S

United States Patent [19] Langlie et al.

[11] **Patent Number: Des. 416,859**

[45] **Date of Patent: ** Nov. 23, 1999**

[54] **INSULATOR FOR THE BACKSIDE OF A T-POST**

4,599,488 7/1986 Wilson, Jr. 174/158 R
5,032,693 7/1991 Langlie et al. 174/158 F

[75] Inventors: **Ronald H. Langlie; Jon A. Berg**, both of Ellendale, Minn.

[73] Assignee: **North Central Plastics**, Ellendale, Minn.

[**] Term: **14 Years**

[21] Appl. No.: **29/087,689**

[22] Filed: **May 7, 1998**

[51] **LOC (6) Cl.** **13-03**

[52] **U.S. Cl.** **D13/129**

[58] **Field of Search** D13/129, 131, D13/132; 174/158 F, 163 F, 175

[56] **References Cited**

U.S. PATENT DOCUMENTS

D. 243,343	2/1977	Berg, Jr. et al.	D13/129
D. 248,750	8/1978	Langlie et al.	D8/364
D. 248,850	8/1978	Langlie et al.	D8/364
D. 330,008	10/1992	Berg et al.	D13/128
D. 331,221	11/1992	Langlie et al.	D13/131
D. 347,823	6/1994	Berg et al.	D13/132
4,028,489	6/1977	Berg, Jr. et al.	174/166 R
4,049,905	9/1977	Maranell	174/163 F
4,077,611	3/1978	Wilson	256/10
4,263,477	4/1981	Wilson, Sr.	174/158 F

OTHER PUBLICATIONS

Dare Products, Inc., Advertising Brochure, Reversed T Post Insulator, Undated.

Primary Examiner—Joel Sincavage
Attorney, Agent, or Firm—Merchant & Gould P.C.

[57] **CLAIM**

The ornamental design for an insulator for the backside of a T-post, as shown and described.

DESCRIPTION

FIG. 1 is a top plan view of an insulator for the backside of a T-post showing our new design; FIG. 2 is a bottom plan view of the insulator; FIG. 3 is an elevational view of one side of the insulator; FIG. 4 is an elevational view of the opposite side of the insulator; FIG. 5 is an elevational view of one end of the insulator; FIG. 6 is an elevational view of the opposite end of the insulator; and, FIG. 7 is a perspective view of the insulator. The broken line showing of the T-post is included for the purpose of illustrating environmental structure only and forms no part of the claimed design.

1 Claim, 2 Drawing Sheets

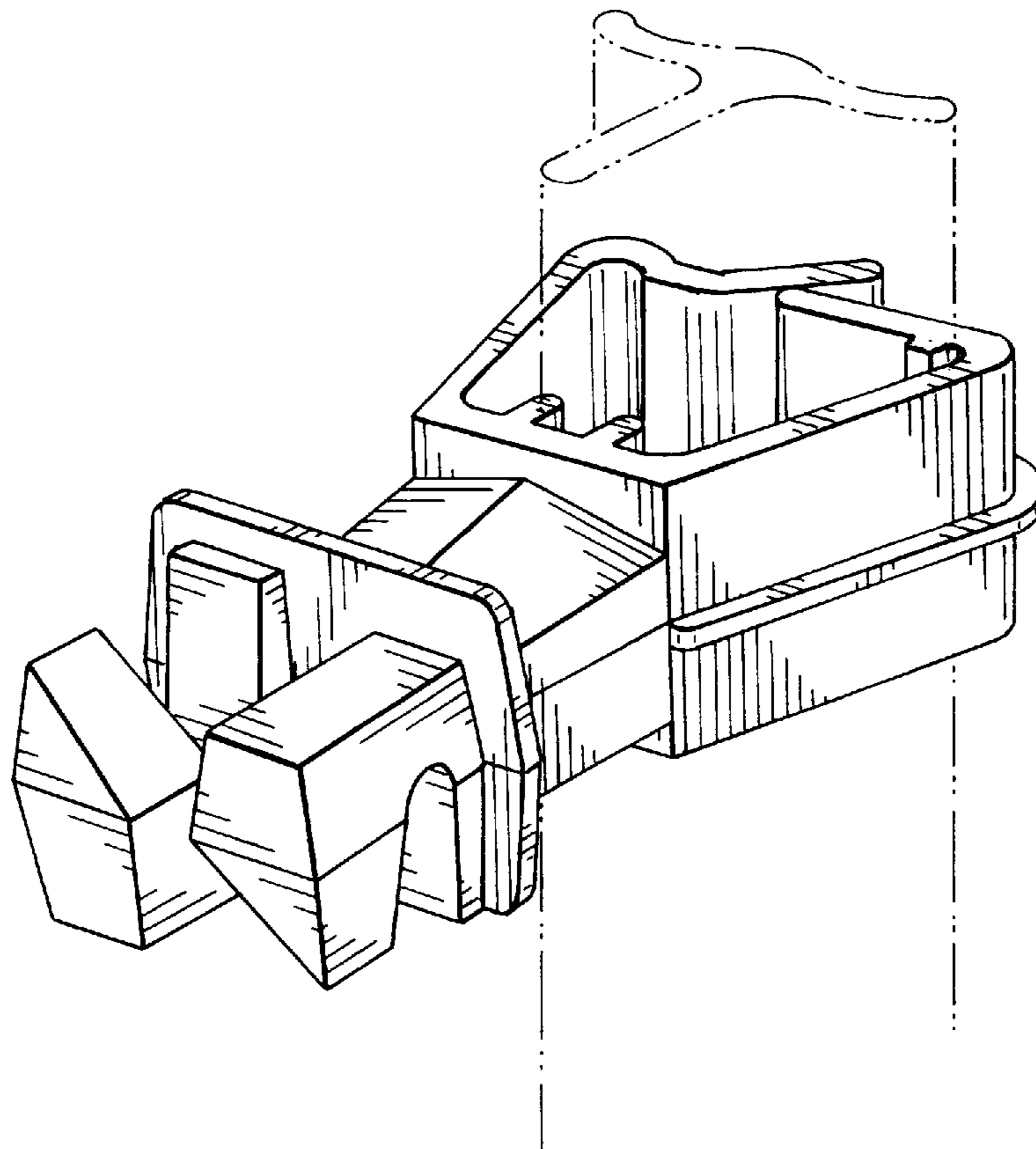


FIG. 1

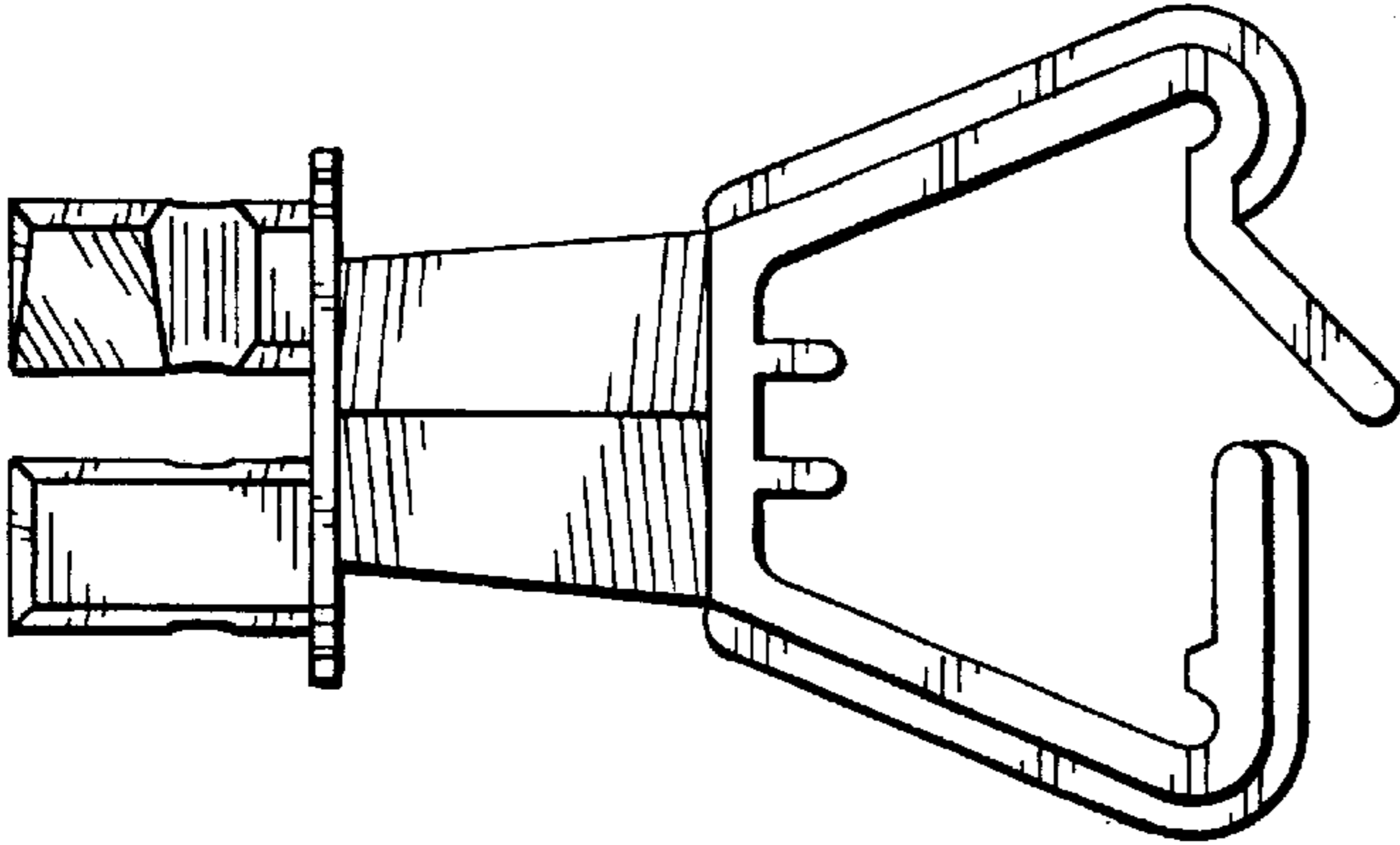


FIG. 2

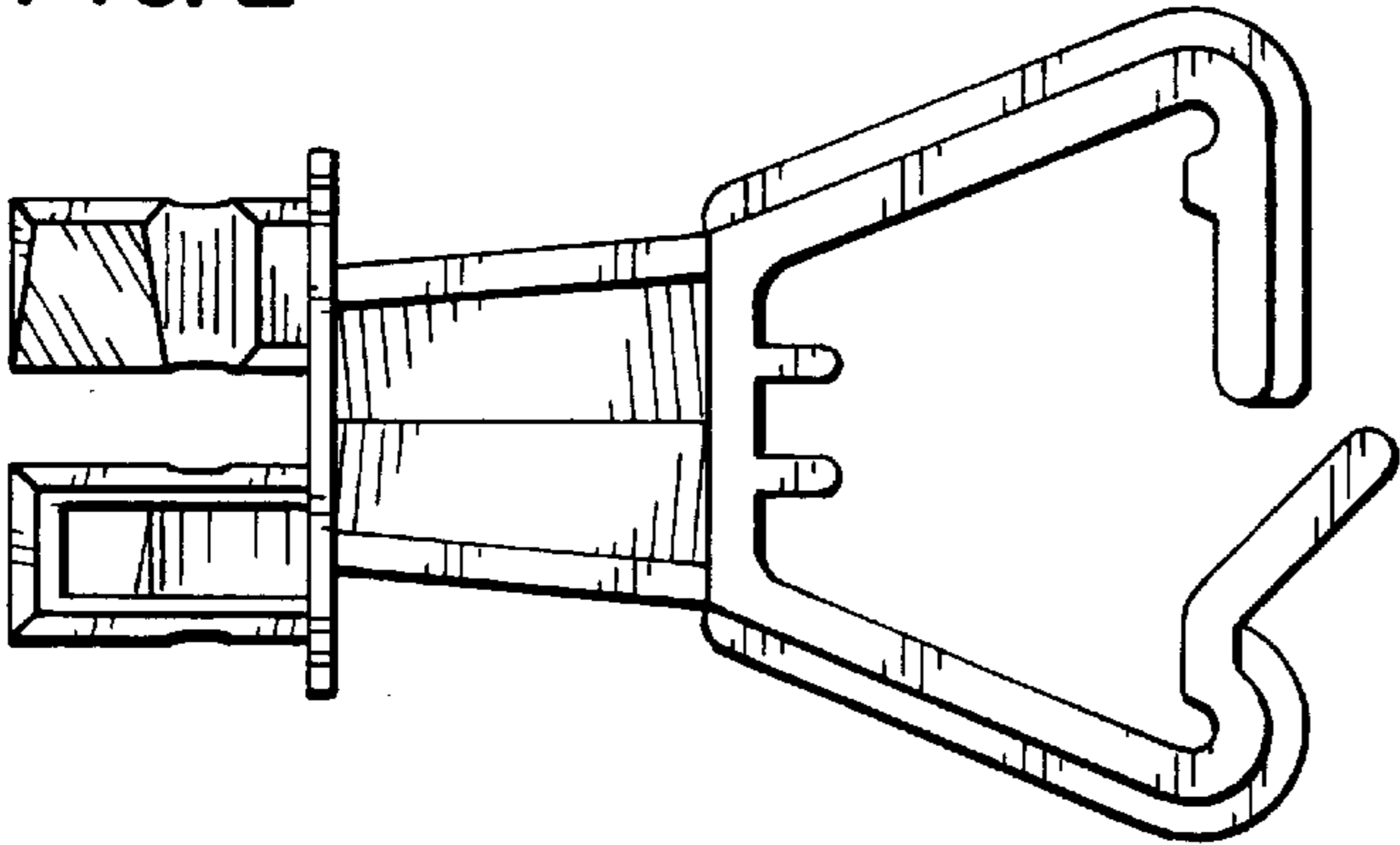


FIG. 3

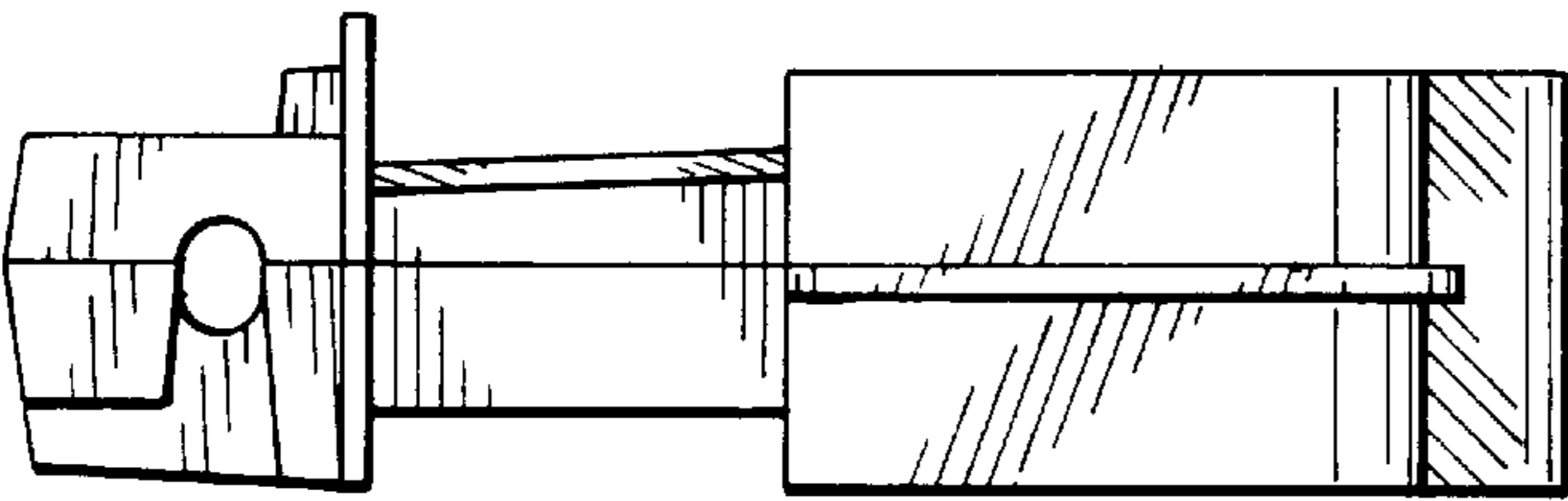


FIG. 4

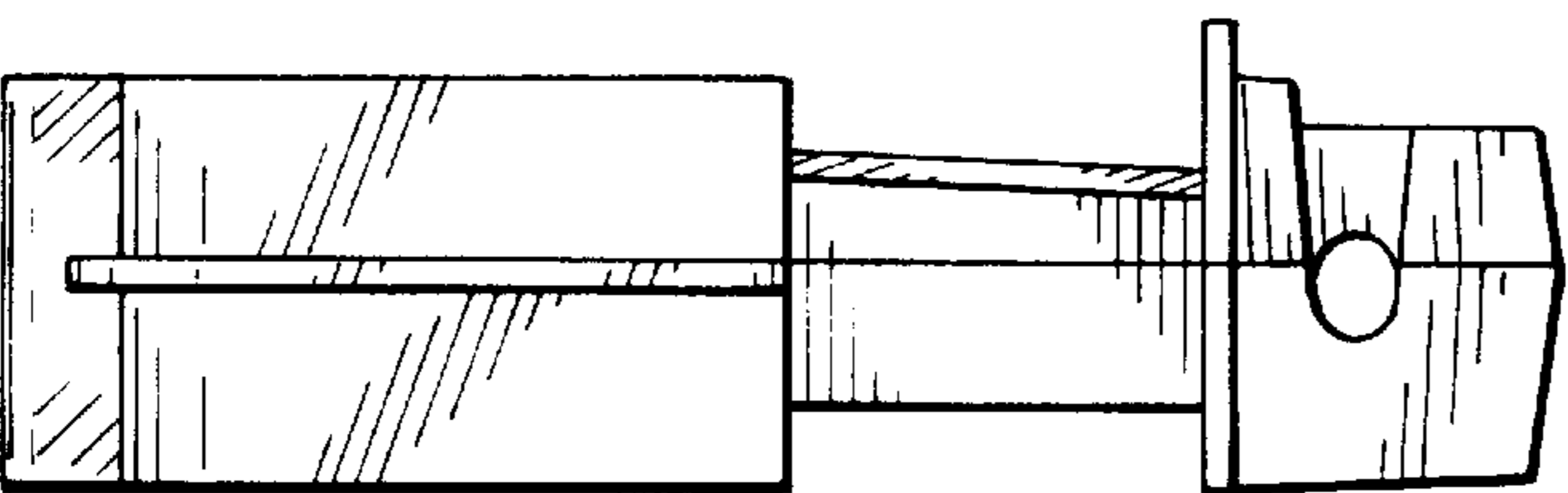


FIG. 5

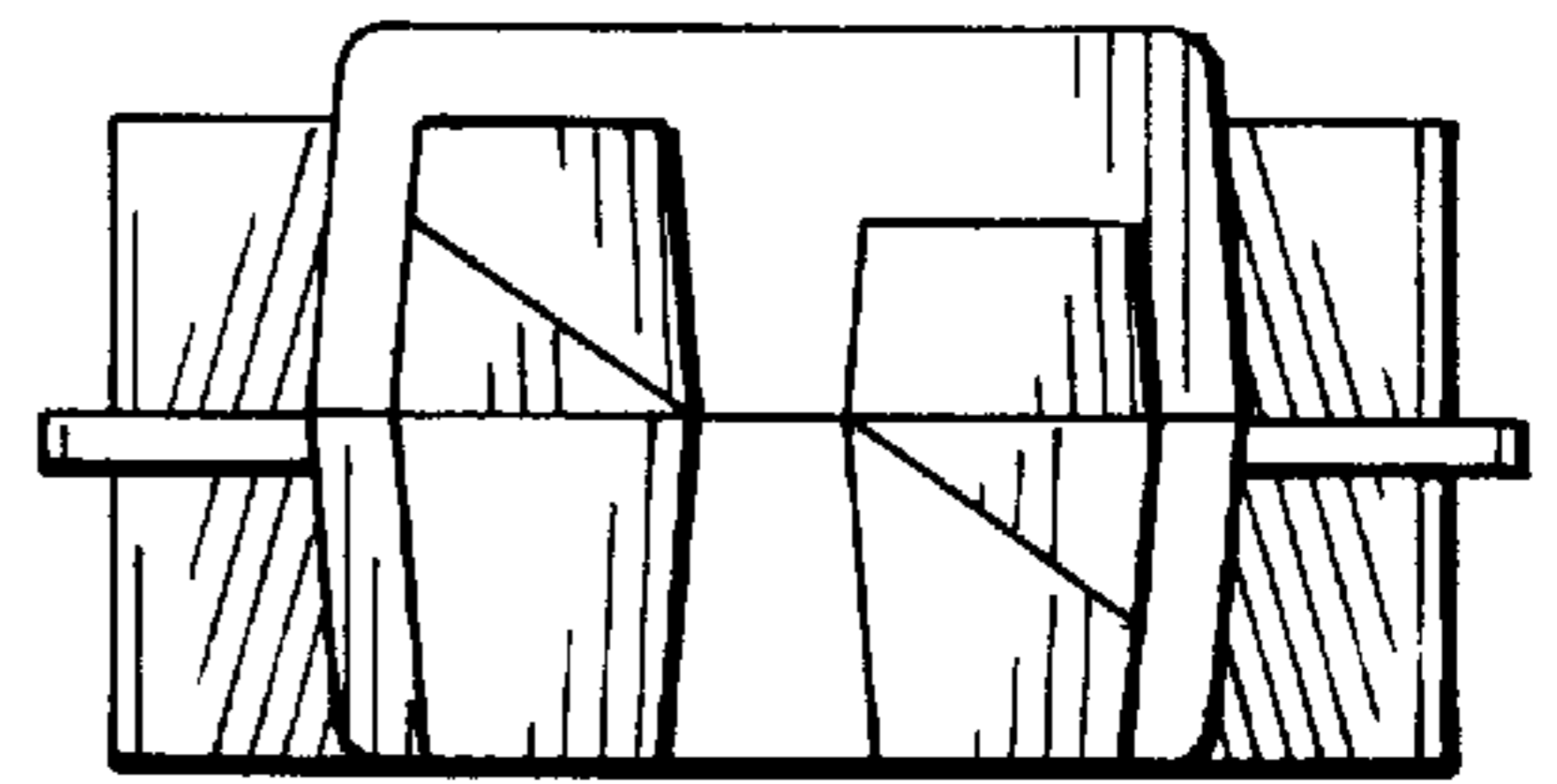


FIG. 6

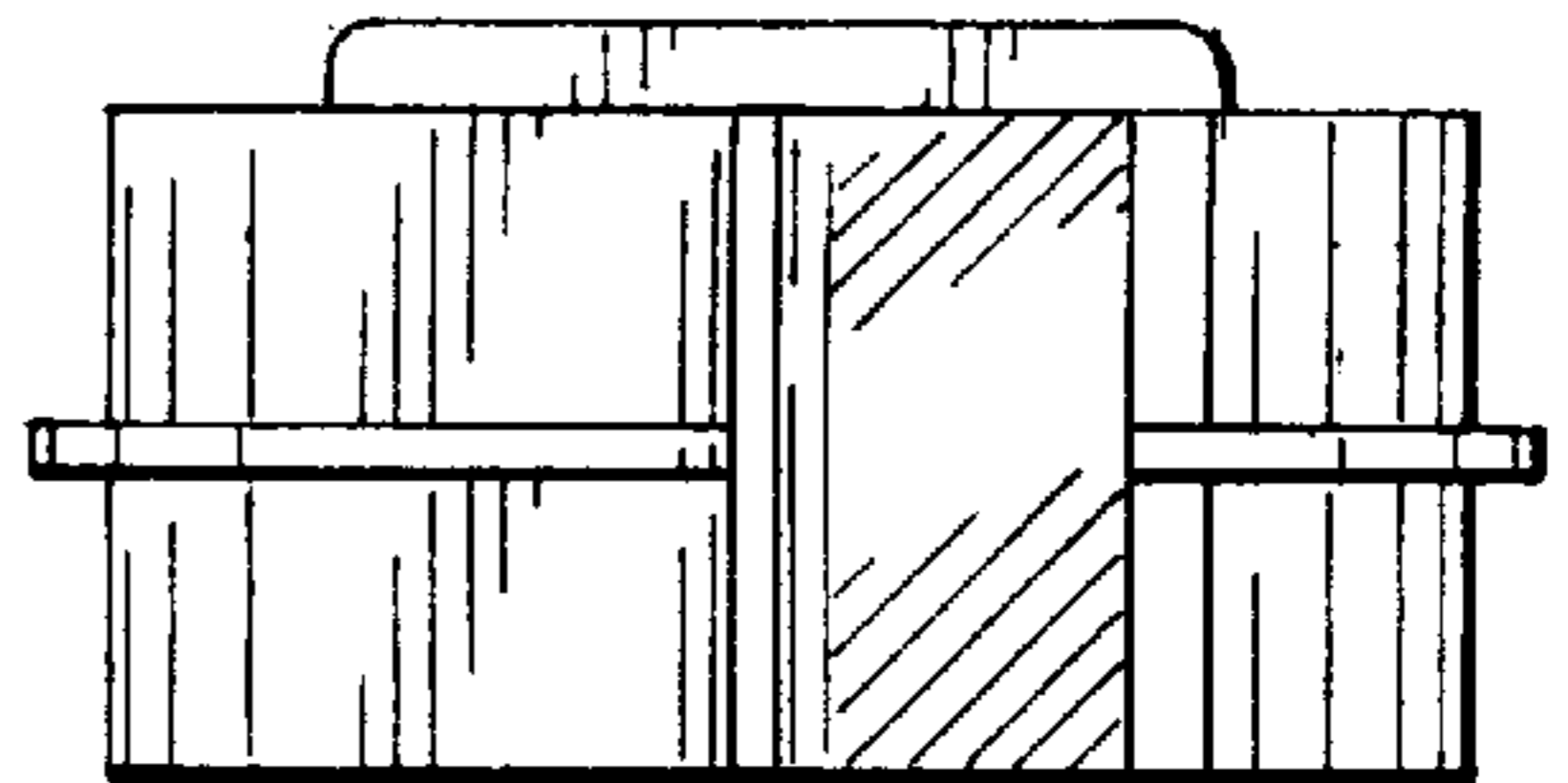


FIG. 7

