



US00D416858S

United States Patent [19] Domanski

[11] Patent Number: **Des. 416,858**

[45] Date of Patent: **** Nov. 23, 1999**

[54] **MOBILE GENERATOR**

[75] Inventor: **Daniel J. Domanski**, Muskego, Wis.

[73] Assignee: **Wacker Corporation**, Menomonee Falls, Wis.

[**] Term: **14 Years**

[21] Appl. No.: **29/094,243**

[22] Filed: **Sep. 29, 1998**

[51] **LOC (6) Cl.** **13-02**

[52] **U.S. Cl.** **D13/114**

[58] **Field of Search** D13/112, 114,
D13/116; D12/101; 290/1 A, 1 B; 307/150;
296/181; 123/2, 3; 322/1; 363/174, 175,
176

[56] **References Cited**

U.S. PATENT DOCUMENTS

D. 210,937	5/1968	Clark	D12/101
D. 211,166	5/1968	Pelsue	D12/101
D. 266,235	9/1982	Hughes	D12/101
D. 382,853	8/1997	Crawford	D13/112

4,376,250	3/1983	Baker, Jr. et al.	307/150
4,556,247	12/1985	Mahaffey	322/1
4,759,560	7/1988	Virgulti	280/47.26
4,914,373	4/1990	Rivkine	322/1
5,559,420	9/1996	Kohchi	320/2

Primary Examiner—Joel Sincavage
Attorney, Agent, or Firm—Nilles & Nilles, S.C.

[57] **CLAIM**

The ornamental design for a mobile generator, as shown and described.

DESCRIPTION

FIG. 1 is perspective view of a mobile generator incorporating my new design, viewed from the right, behind, and above the mobile generator

FIG. 2 is a right-side elevation view of the mobile generator of FIG. 1;

FIG. 3 is a left-side elevation view thereof;

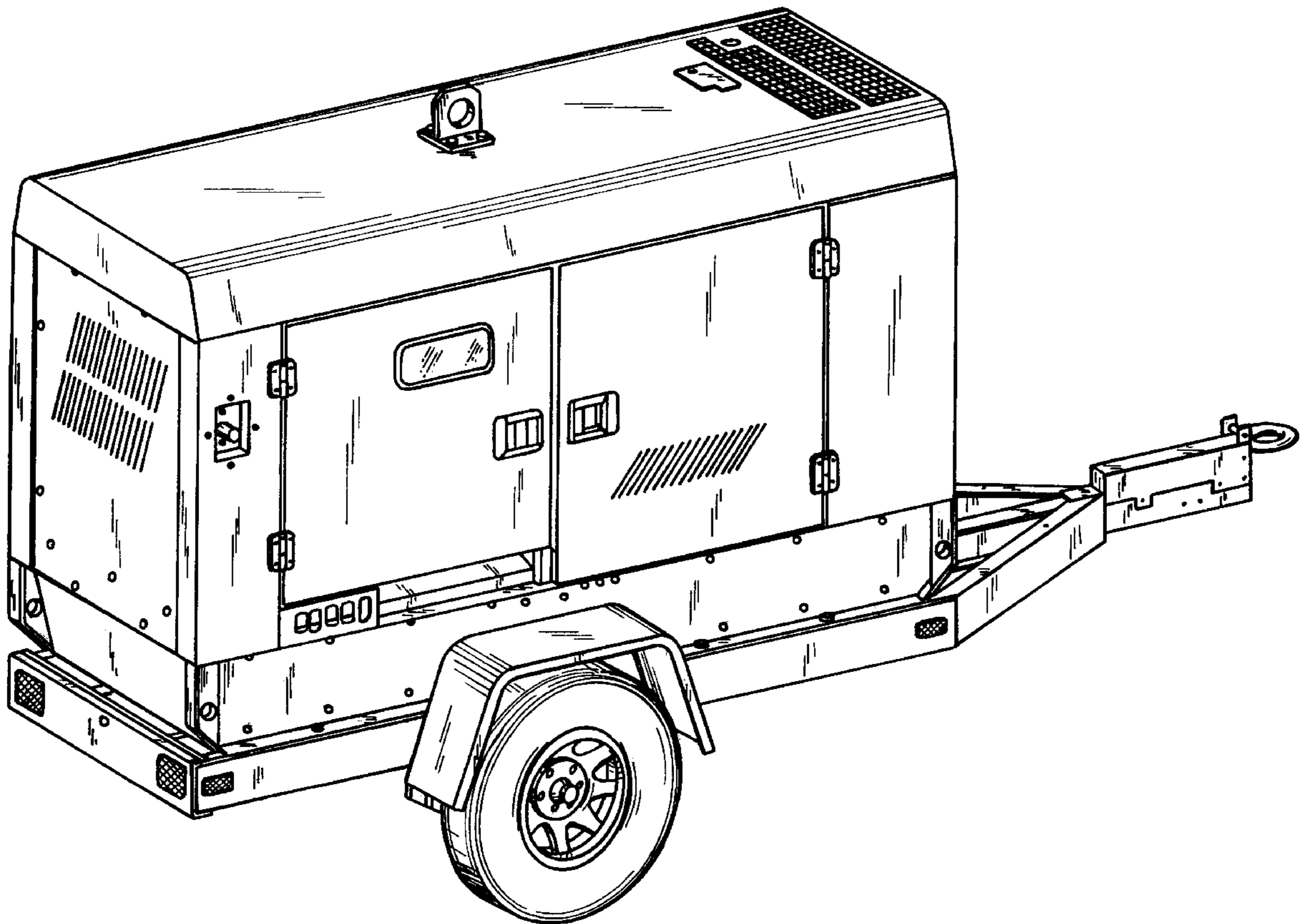
FIG. 4 is a front elevation view thereof;

FIG. 5 is a rear elevation view thereof;

FIG. 6 is a top plan view thereof; and,

FIG. 7 is a bottom plan view thereof.

1 Claim, 4 Drawing Sheets



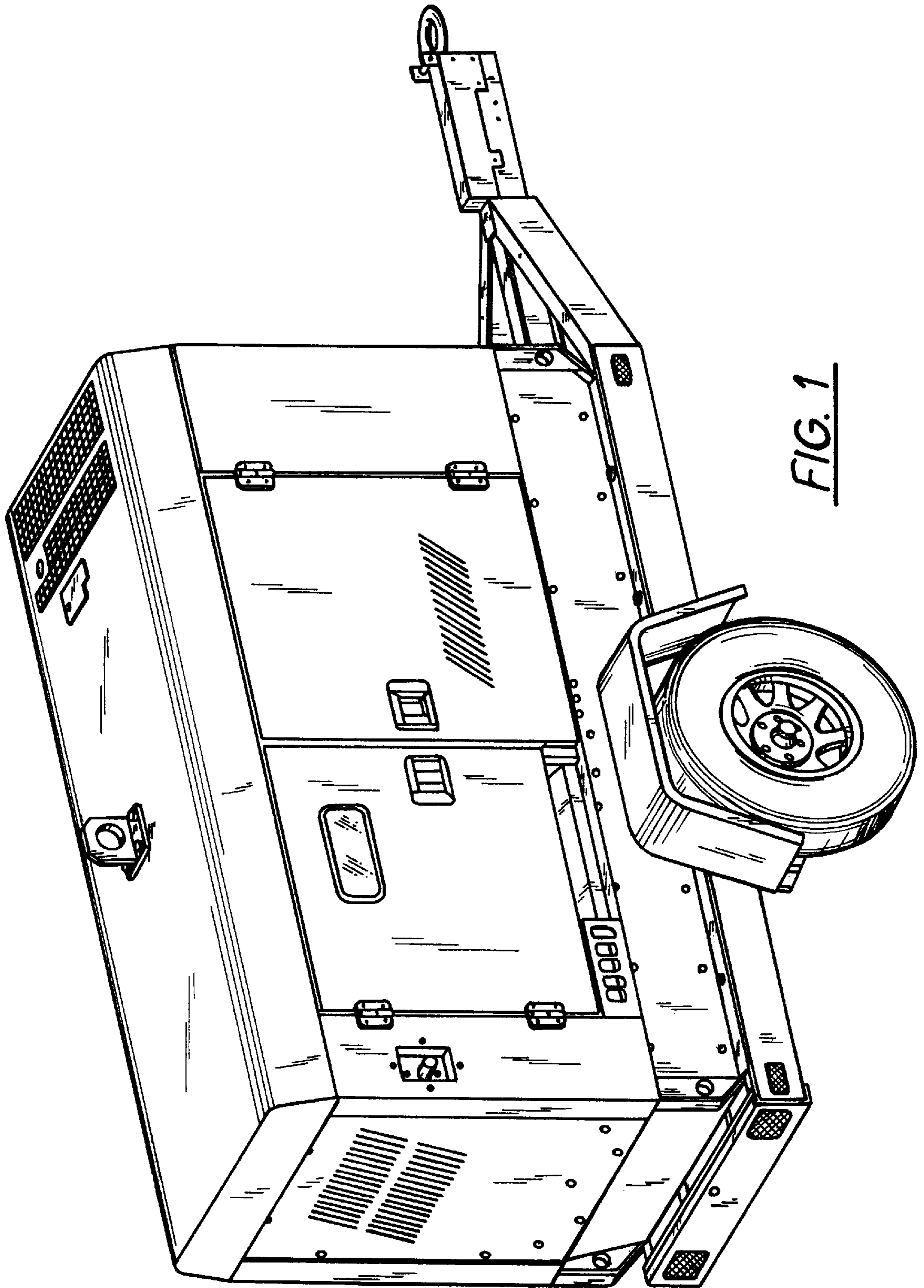


FIG. 1

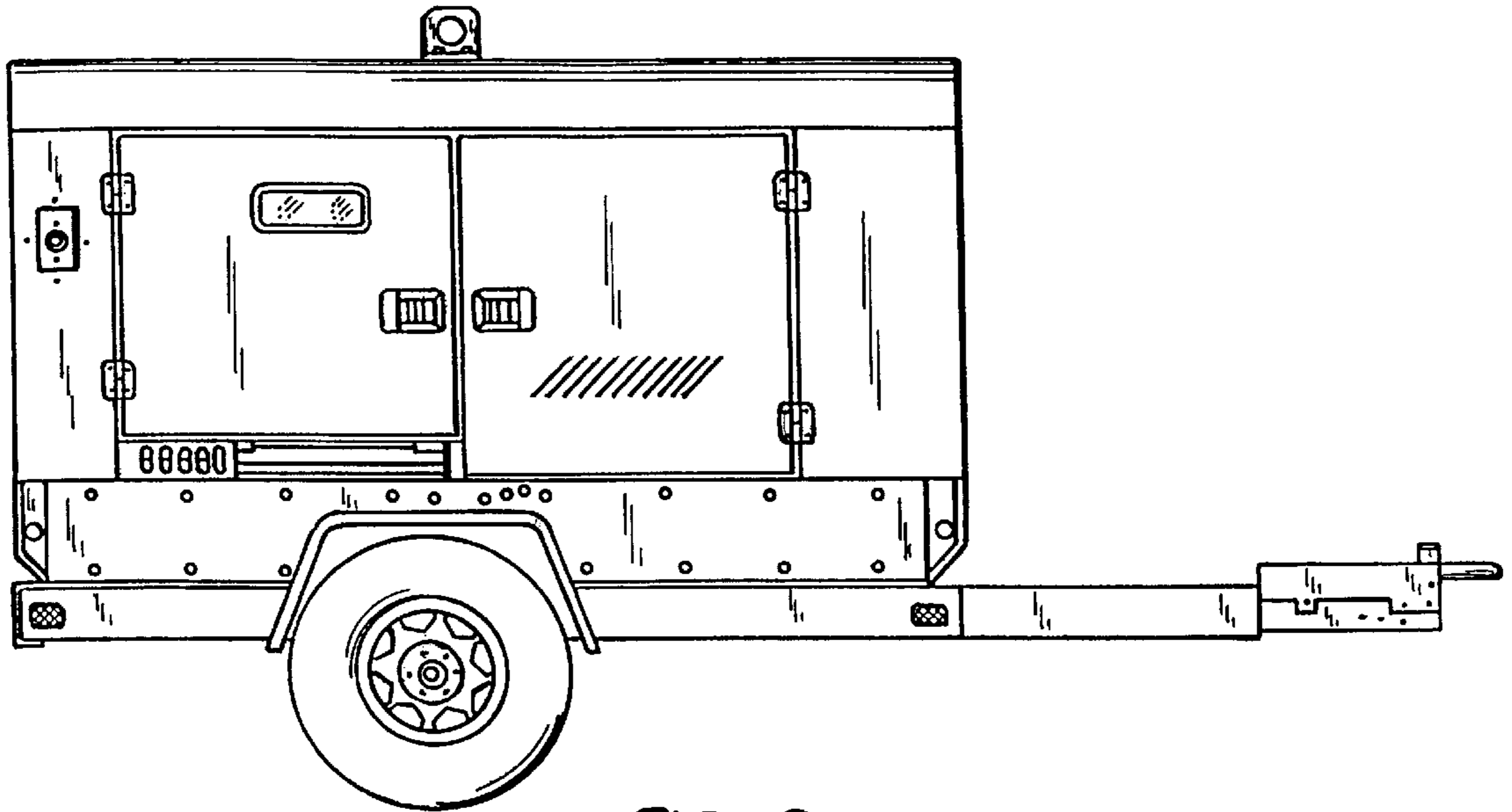


FIG. 2

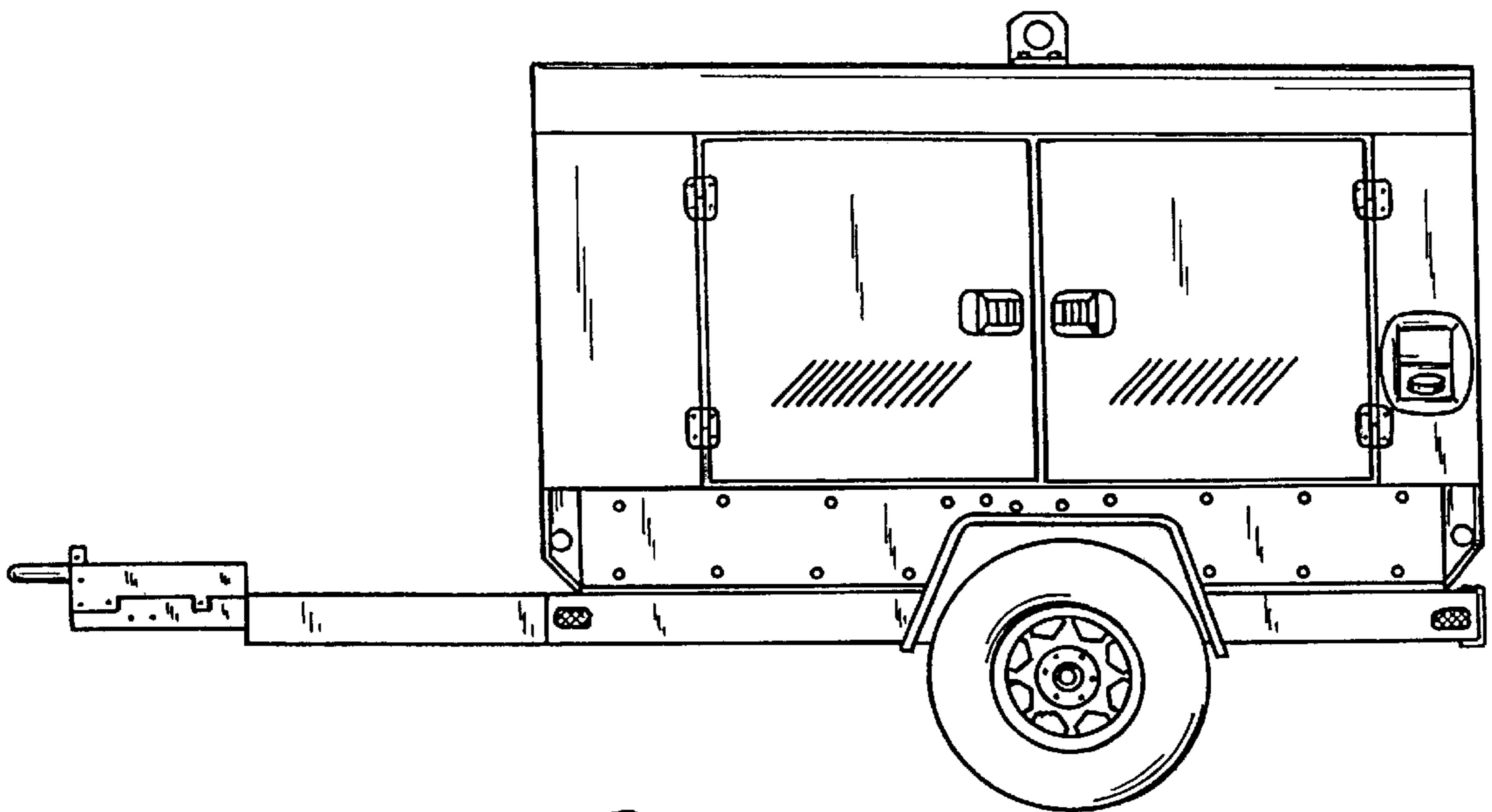


FIG. 3

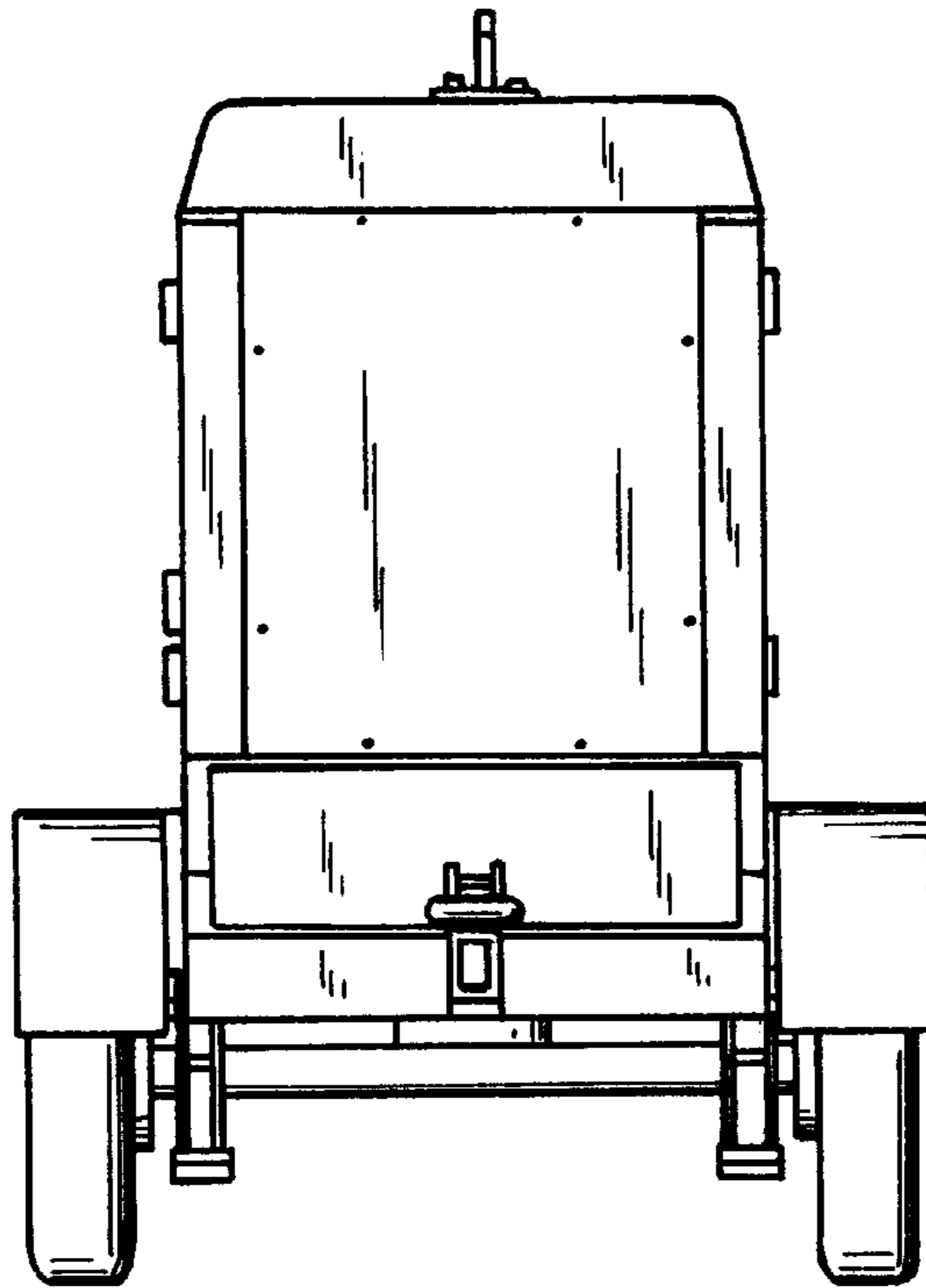


FIG. 4

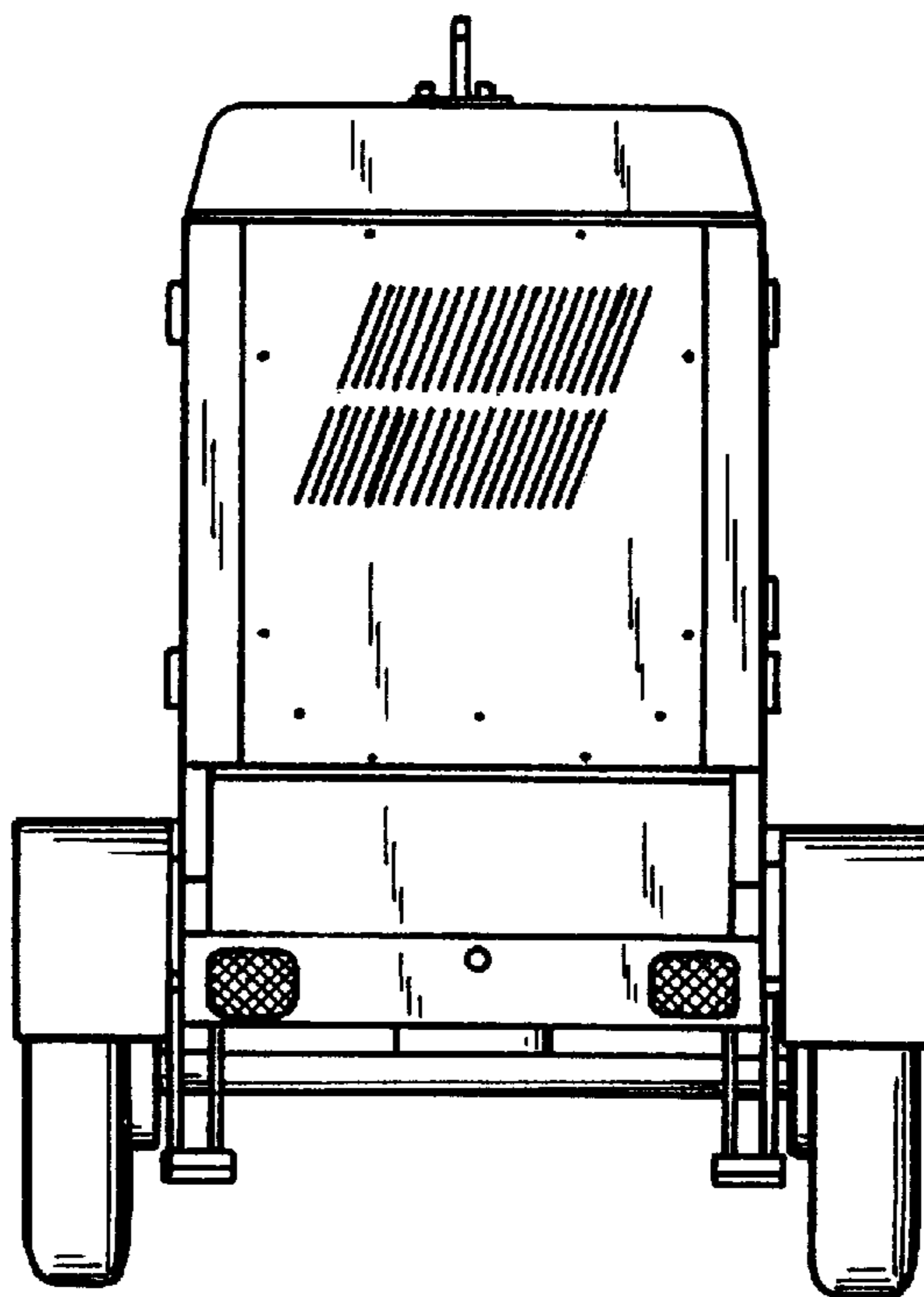


FIG. 5

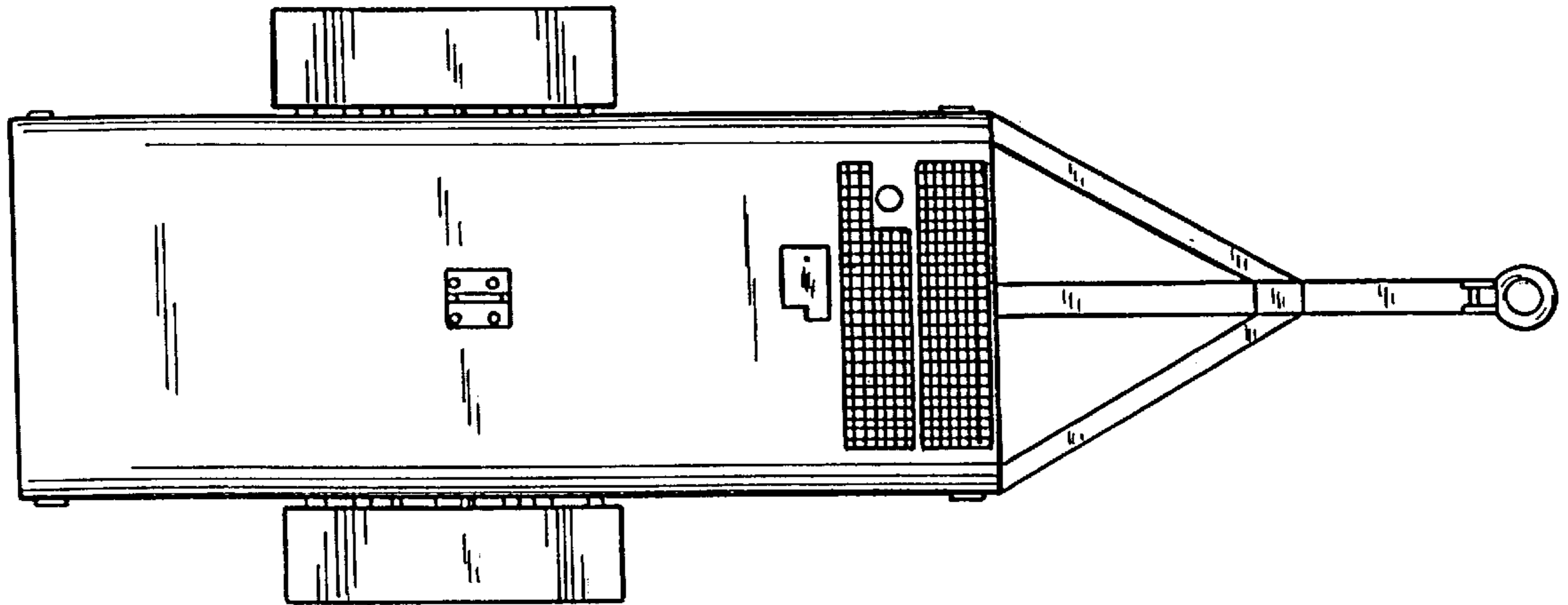


FIG. 6

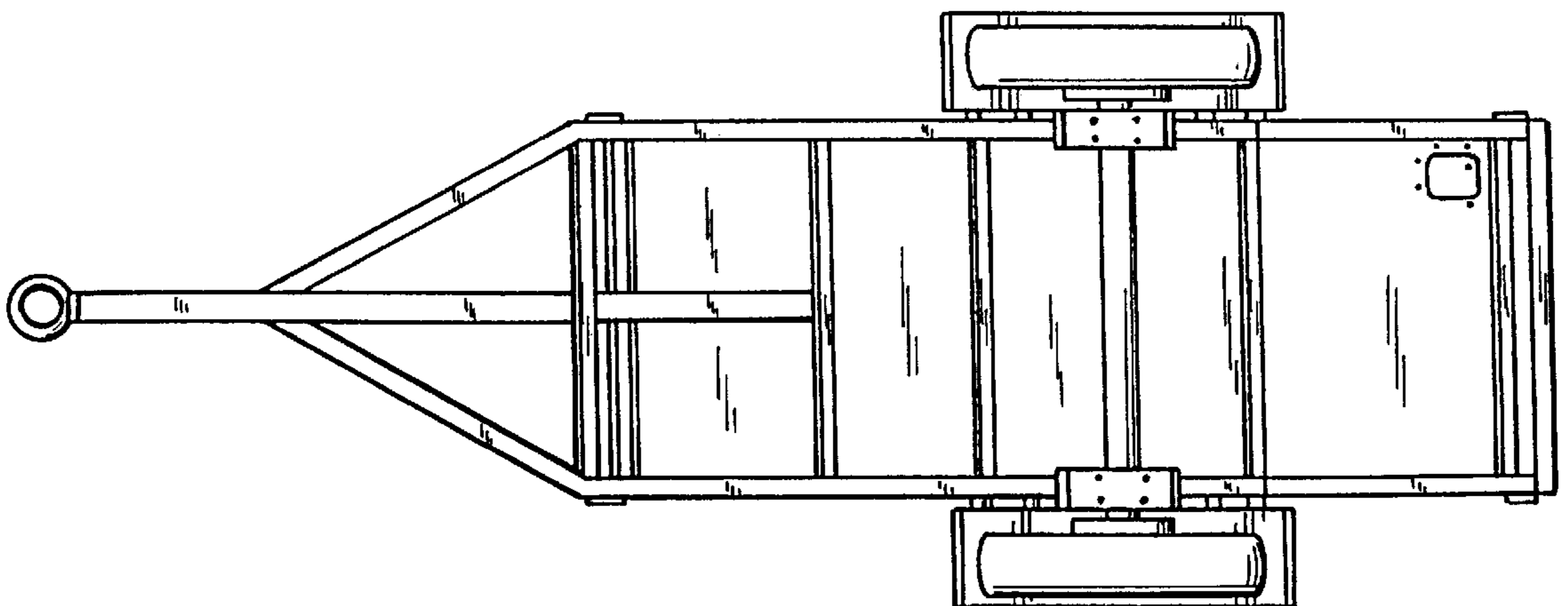


FIG. 7