



US00D416857S

United States Patent [19]

Gauld et al.

[11] Patent Number: **Des. 416,857**

[45] Date of Patent: **** Nov. 23, 1999**

[54] **BATTERY HOUSING FOR A PCMCIA CARD MODEM**

[75] Inventors: **Craig S. Gauld**, Vancouver; **Trent McKeen**, North Vancouver; **Ronald J. Vanderhelm**, Surrey, all of Canada

[73] Assignee: **Sierra Wireless, Inc.**, Richmond, Canada

[**] Term: **14 Years**

[21] Appl. No.: **29/096,226**

[22] Filed: **Nov. 6, 1998**

[51] **LOC (6) Cl.** **13-02**

[52] **U.S. Cl.** **D13/103**

[58] **Field of Search** D13/103; 429/96-100, 429/163, 176

[56] **References Cited**

U.S. PATENT DOCUMENTS

- D. 236,492 8/1975 Helgesson D13/103
- D. 349,483 8/1994 Weaver et al. D13/103
- D. 397,670 9/1998 Davies et al. D13/103

D. 405,754 2/1999 Barkley et al. D13/103

Primary Examiner—Joel Sincavage
Attorney, Agent, or Firm—Burns, Doane, Swecker & Mathis, LLP

[57] **CLAIM**

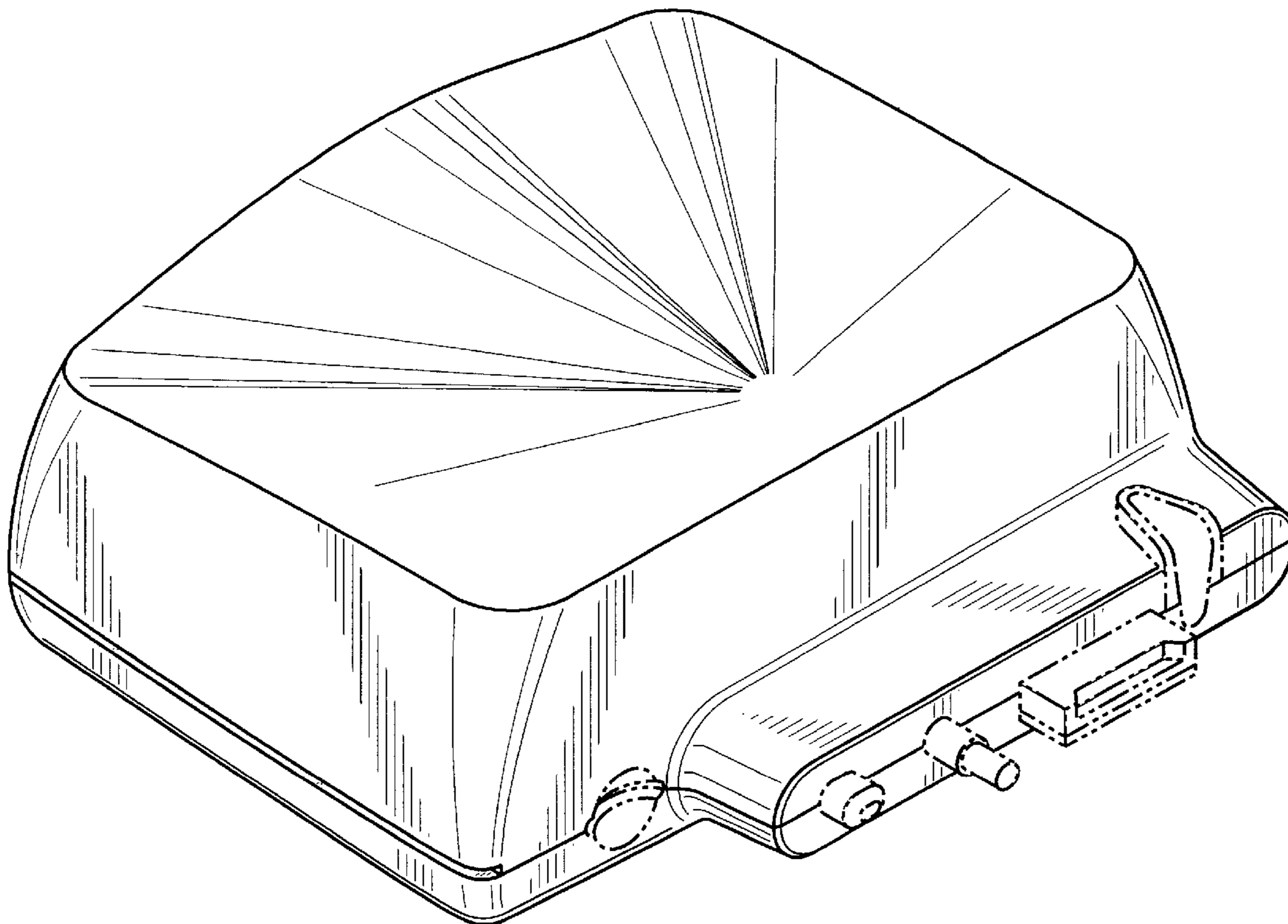
The ornamental design for a battery housing for a PCMCIA card modem, as shown and described.

DESCRIPTION

FIG. 1 is a perspective view as seen from the front and upper right of a battery housing for a PCMCIA card modem; FIG. 2 is a perspective view thereof; FIG. 3 is a front view thereof; FIG. 4 is a side view thereof; FIG. 5 is a rear elevational view thereof; FIG. 6 is a side view thereof; FIG. 7 is a top view thereof; and, FIG. 8 is a bottom plan view thereof.

The broken line showing the connectors, indicator lights and connecting screw are for illustrative purposes only and form no part of the claim design.

1 Claim, 4 Drawing Sheets



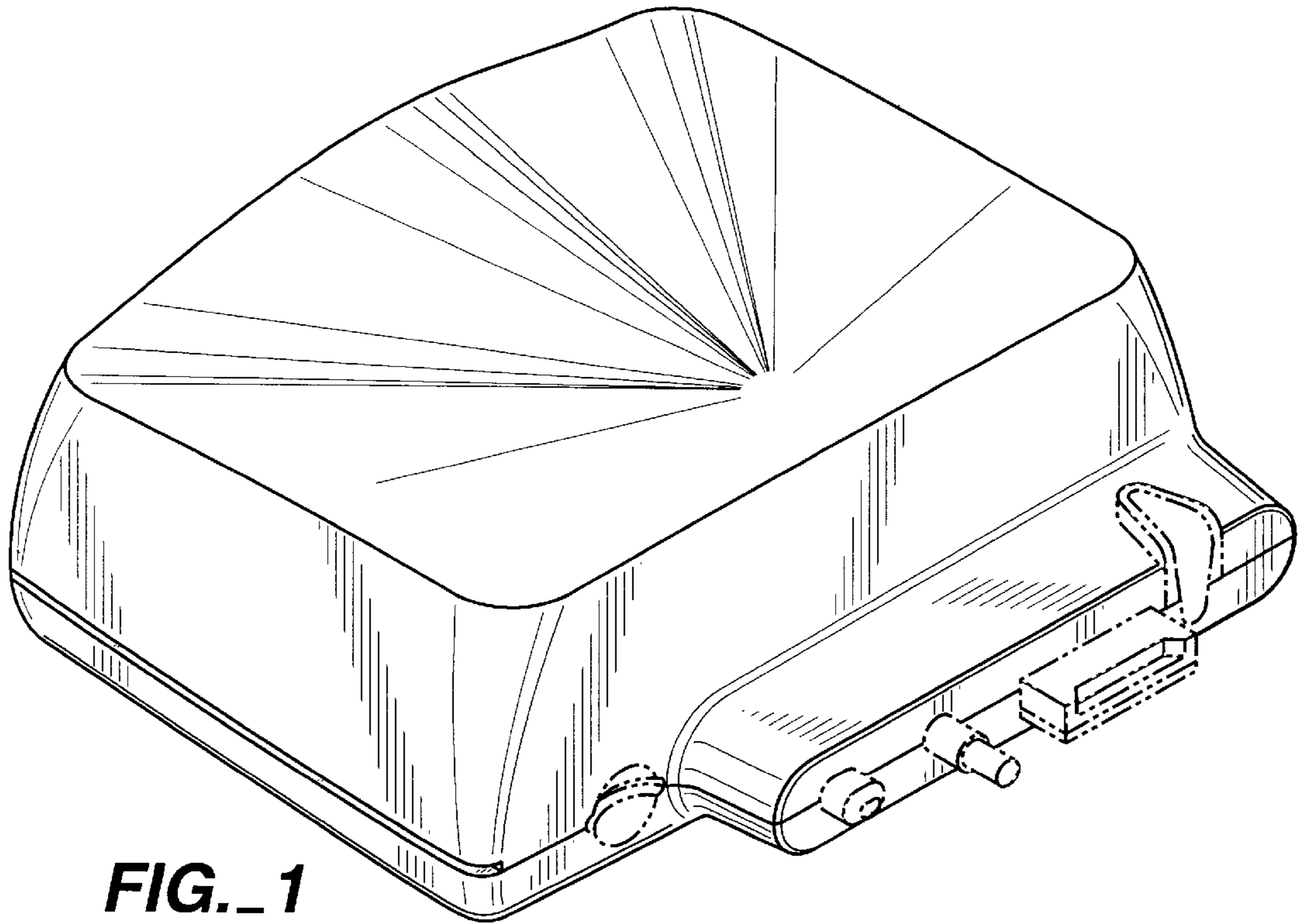


FIG. 1

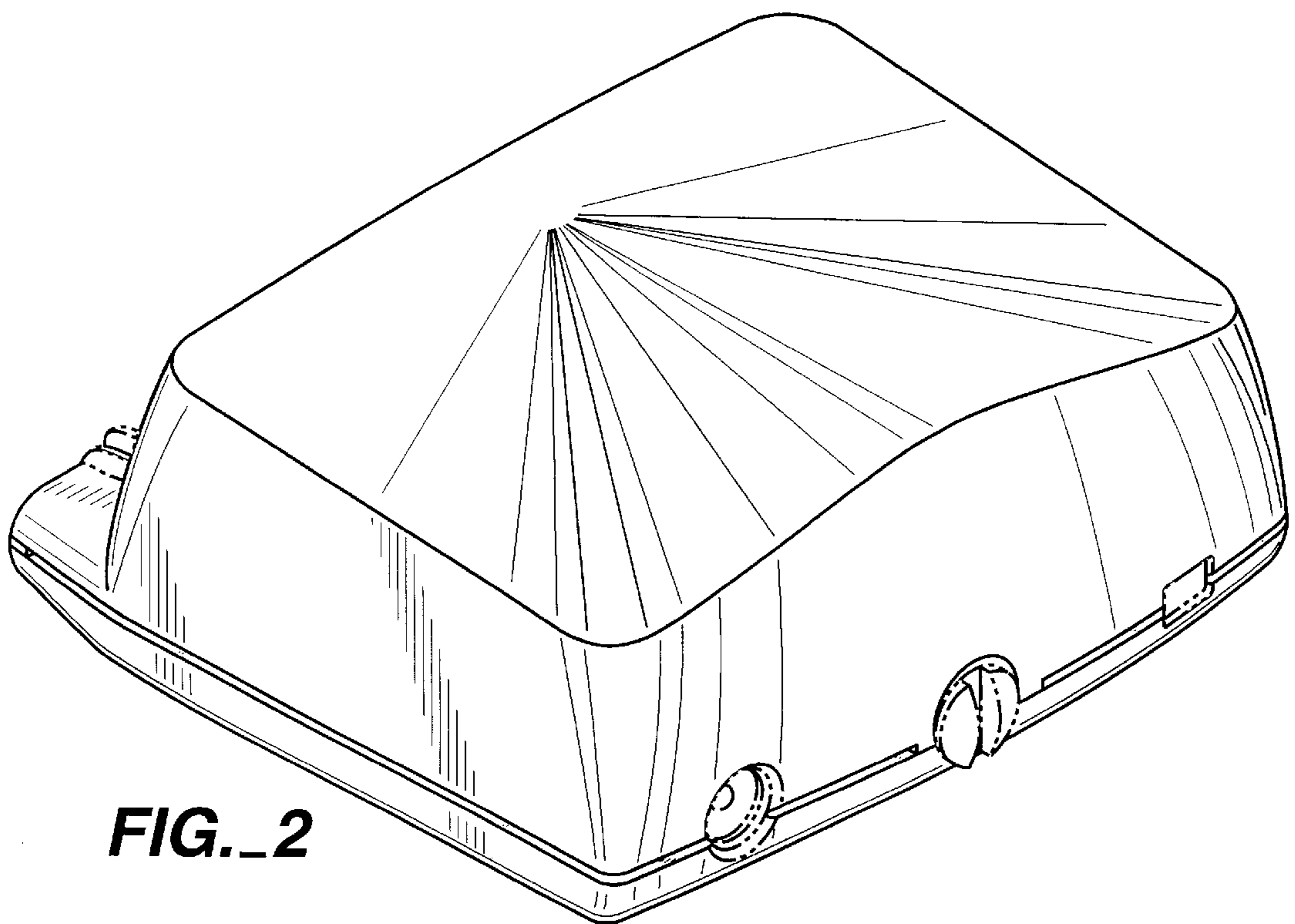


FIG. 2

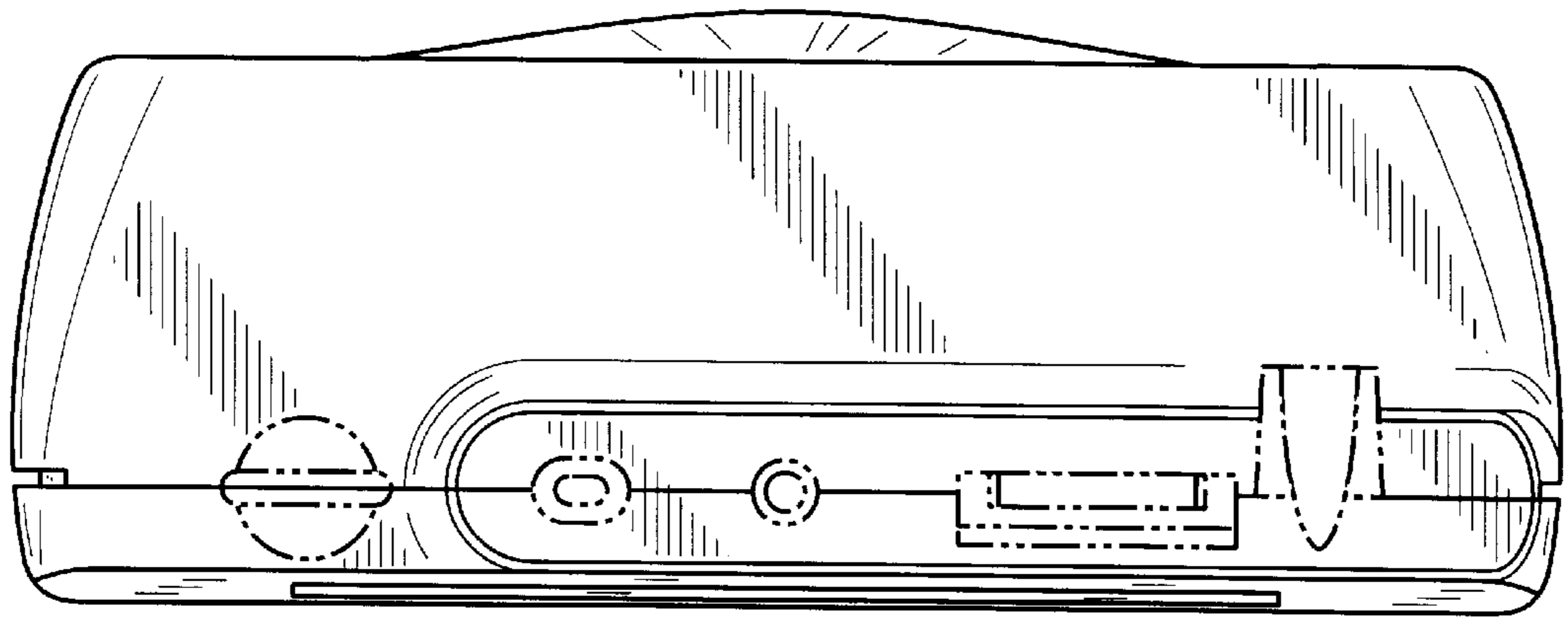


FIG. 3

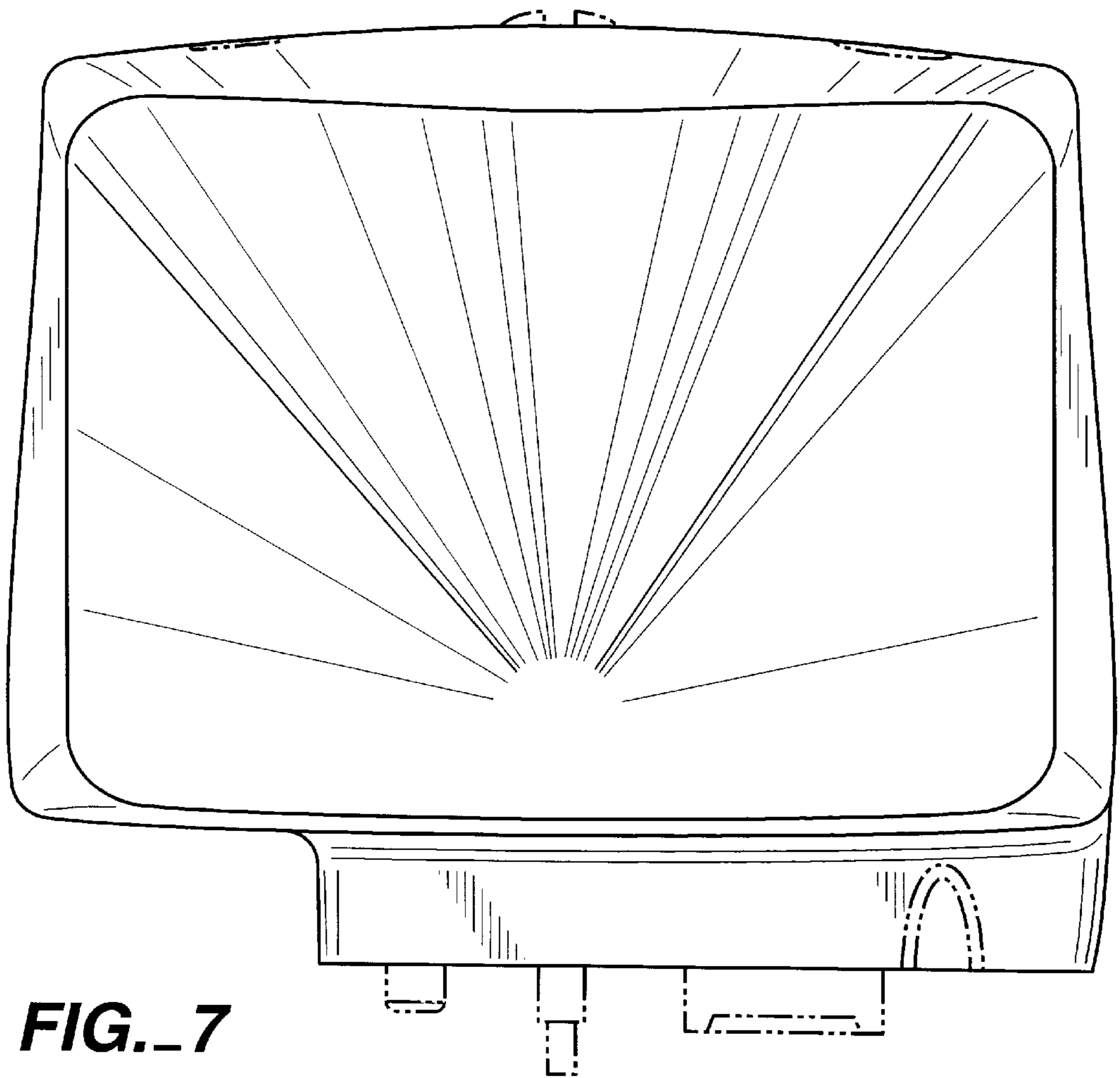


FIG. 7

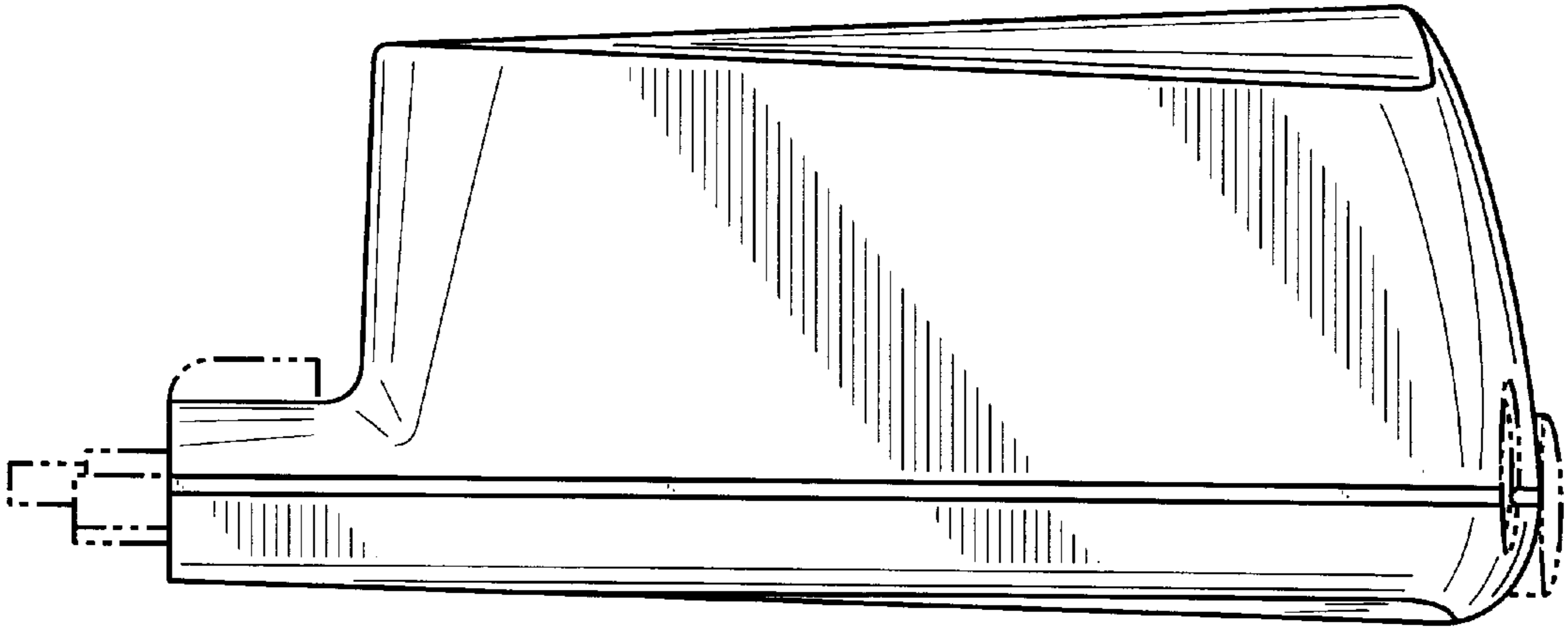


FIG._4

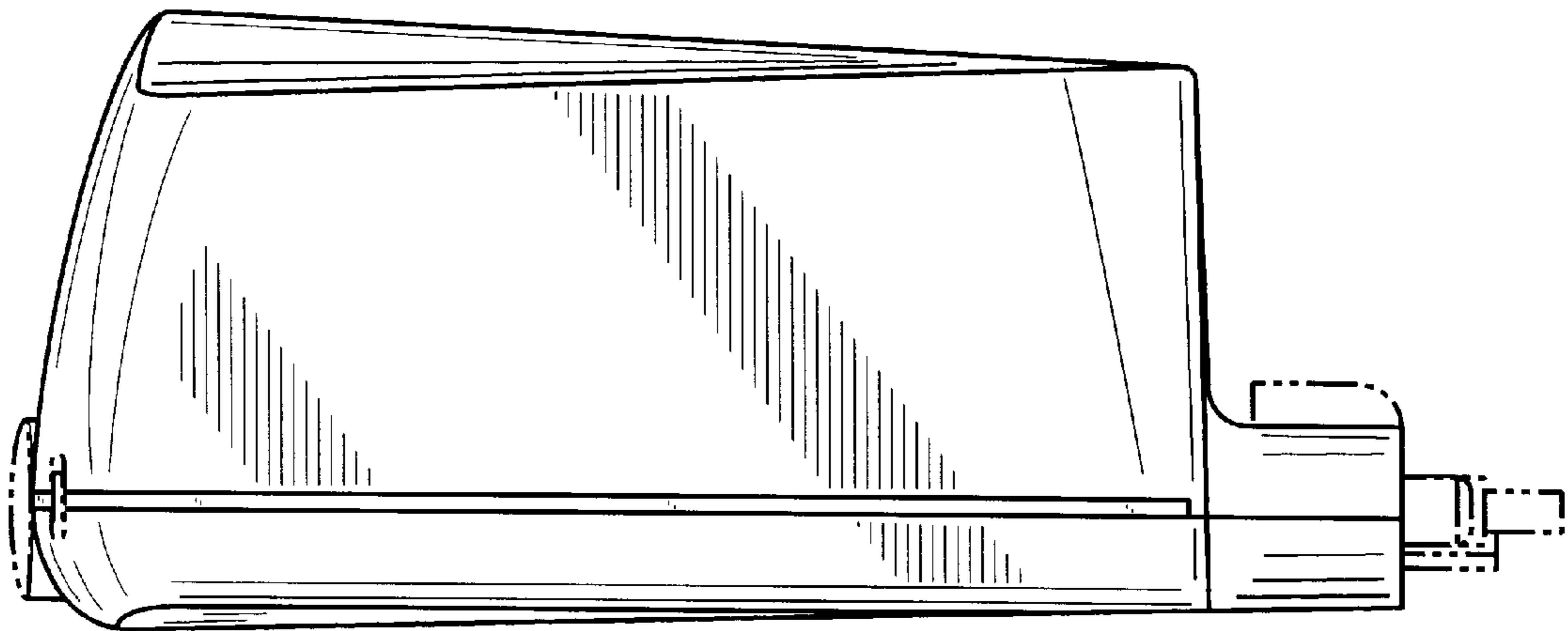


FIG._6

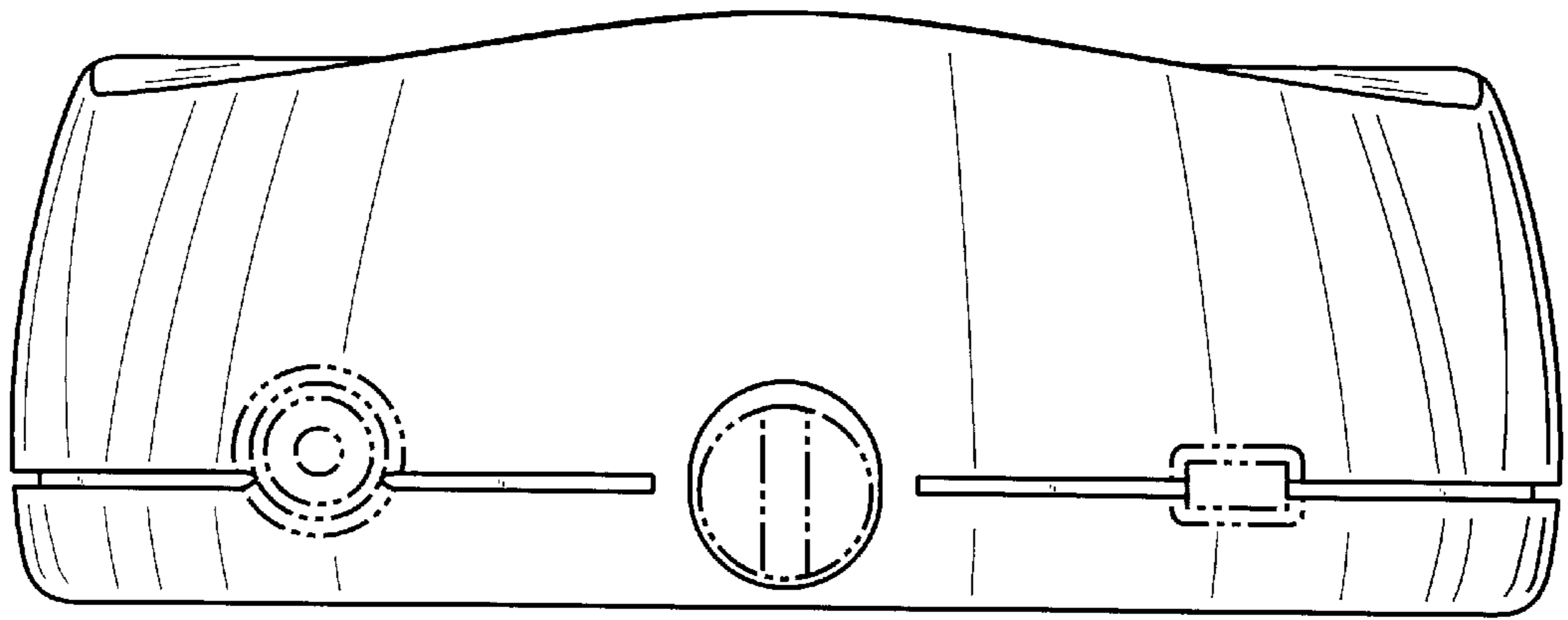


FIG. 5

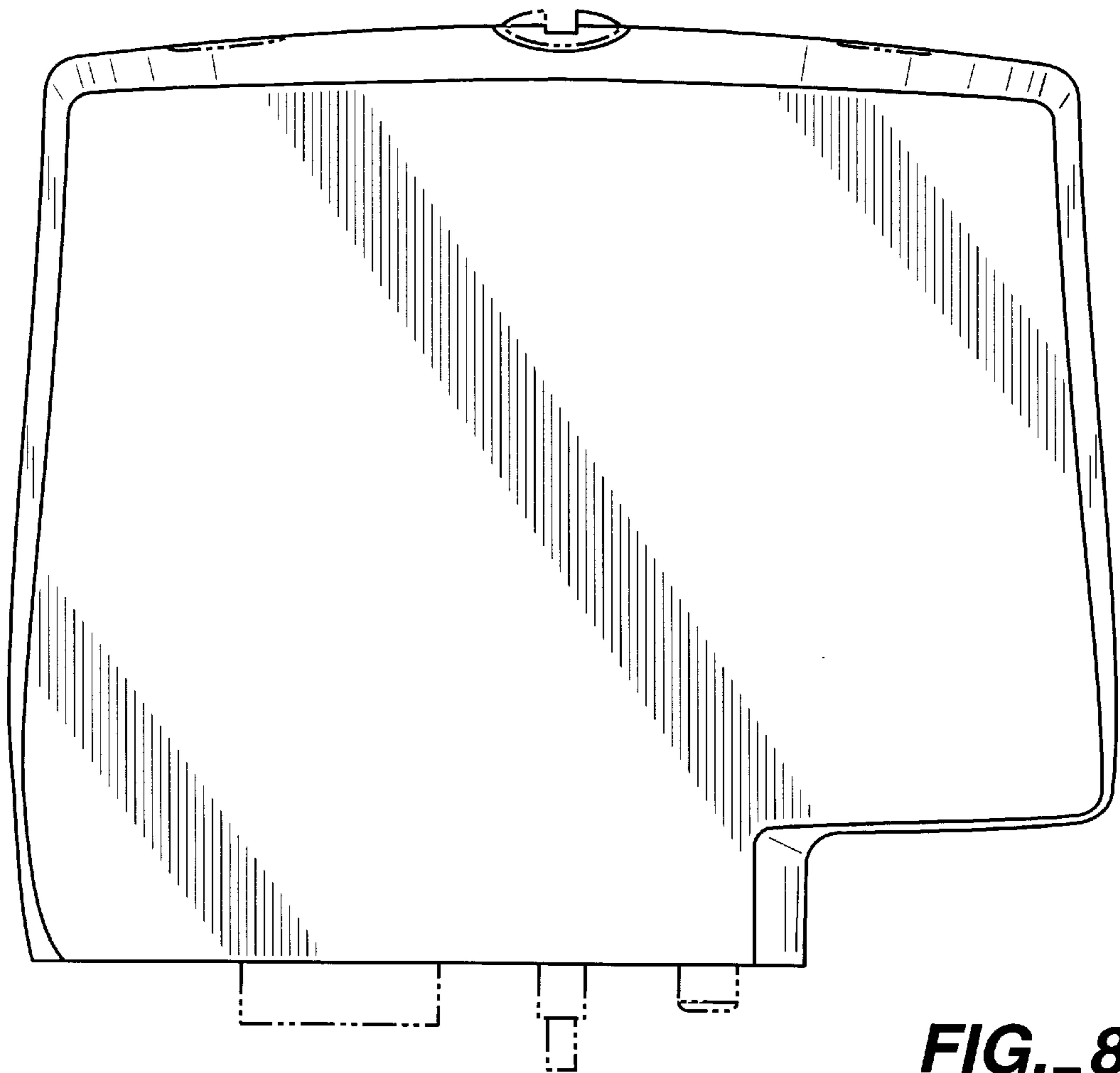


FIG. 8