



US00D416856S

United States Patent [19] Onose

[11] **Patent Number: Des. 416,856**

[45] **Date of Patent: ** Nov. 23, 1999**

[54] **ROTATING LASER**

4,830,489 5/1989 Cain et al. 356/141.1 X
5,689,330 11/1997 Gerard et al. 356/138
5,898,490 4/1999 Ohmoto et al. 356/141.3

[75] Inventor: **Jun Onose**, Tokyo, Japan

[73] Assignee: **Kabushiki Kaisha**, Tokyo, Japan

[**] Term: **14 Years**

Primary Examiner—Joel Sincavage
Attorney, Agent, or Firm—Thelen Reid & Priest L.L.P.

[21] Appl. No.: **29/087,802**

[22] Filed: **Apr. 23, 1998**

[57] CLAIM

The ornamental design for a rotating laser, as shown and described.

[30] Foreign Application Priority Data

Nov. 11, 1997 [JP] Japan 9-74542

[51] **LOC (6) Cl.** **13-02**

[52] **U.S. Cl.** **D13/101; D10/66**

[58] **Field of Search** D13/101; D10/65,
D10/66; 356/138, 141.1, 141.3, 152.1; 33/DIG. 21

DESCRIPTION

FIG. 1 is a perspective view of the rotating laser as viewed from an upper, right, front position thereof; FIG. 2 is a front view of the rotating laser; FIG. 3 is a left side view of the rotating laser, right side view appears symmetric to the left side view; FIG. 4 is a rear view of the rotating laser; FIG. 5 is a plan view of the rotating laser; FIG. 6 is a bottom view of the rotating laser; and, FIG. 7 is a supplemental perspective view of the rotating laser shown in operation with the remote controller taken off.

[56] References Cited

U.S. PATENT DOCUMENTS

D. 383,075 9/1997 Sawaguchi et al. D10/66
4,519,705 5/1985 Morrow 356/138
4,676,634 6/1987 Petersen 356/141.3 X

1 Claim, 3 Drawing Sheets

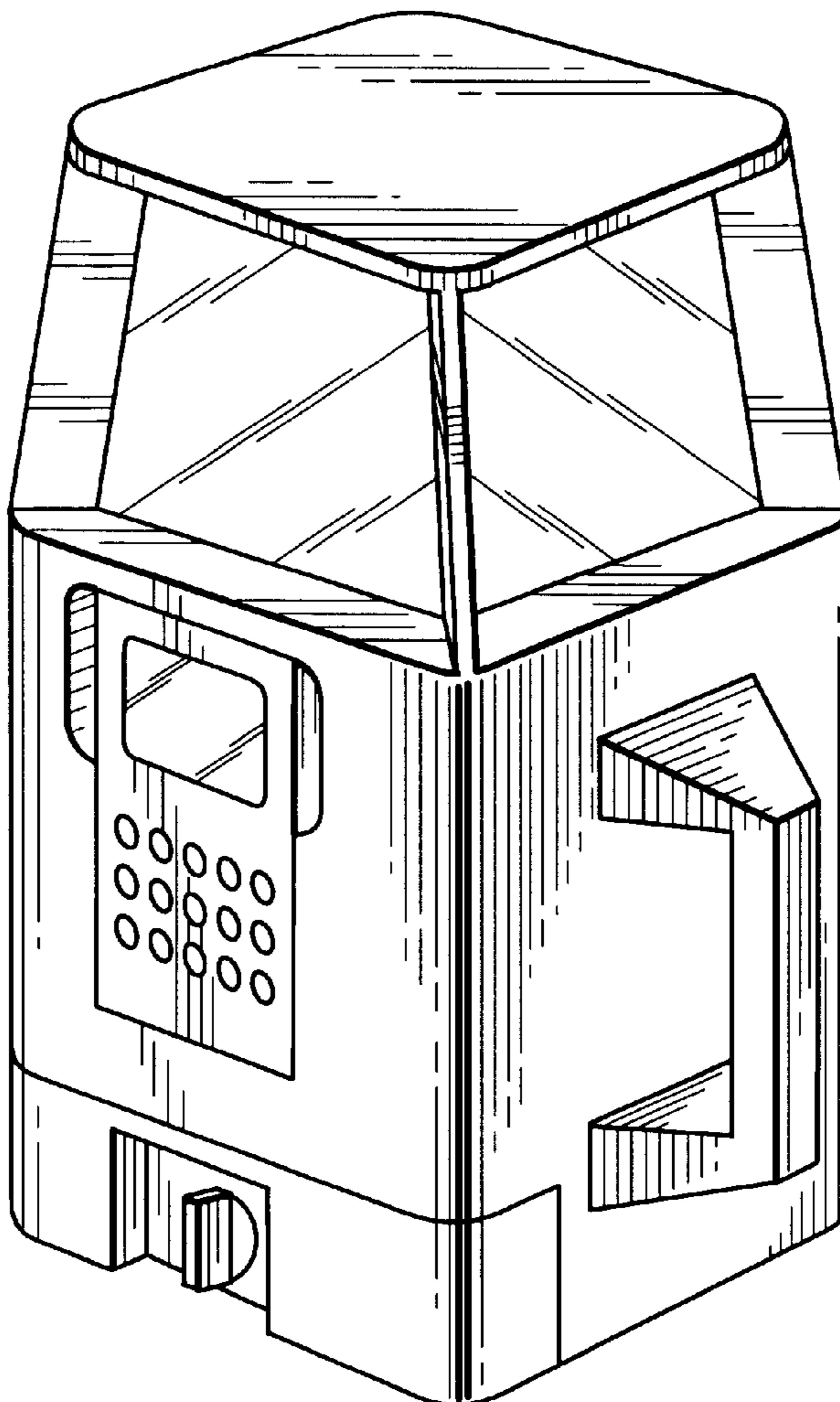


FIG. 1

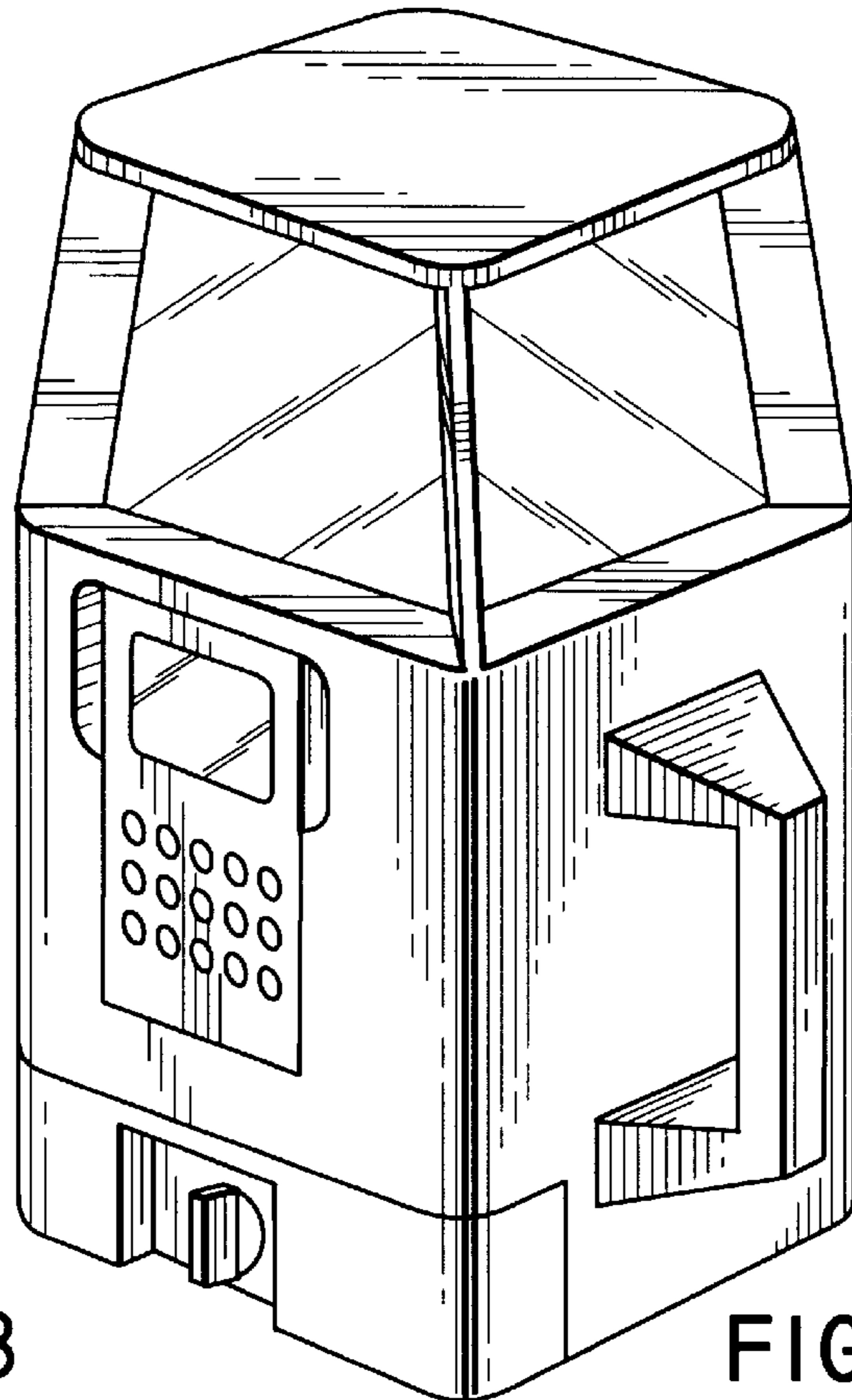


FIG. 3

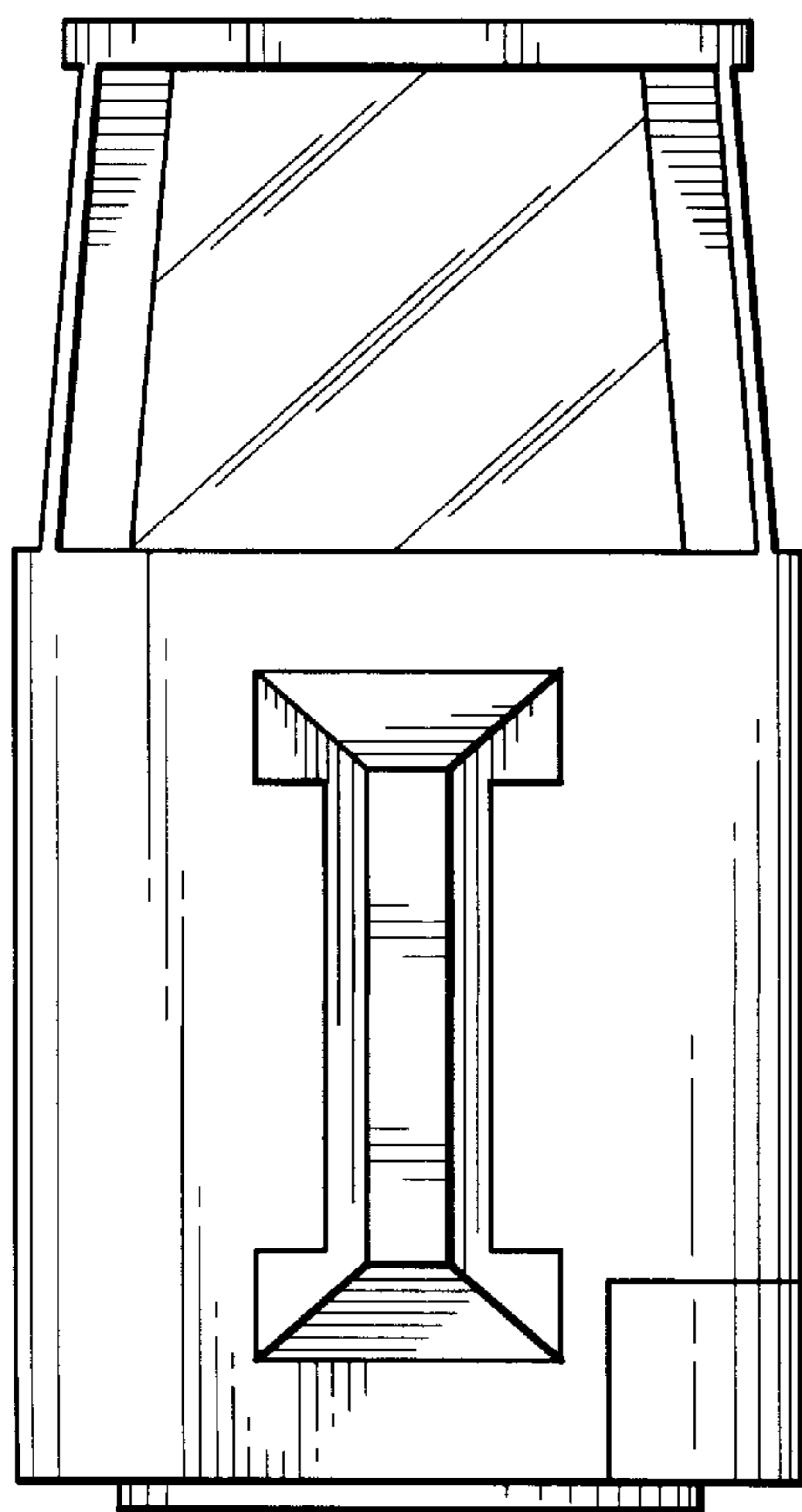


FIG. 2

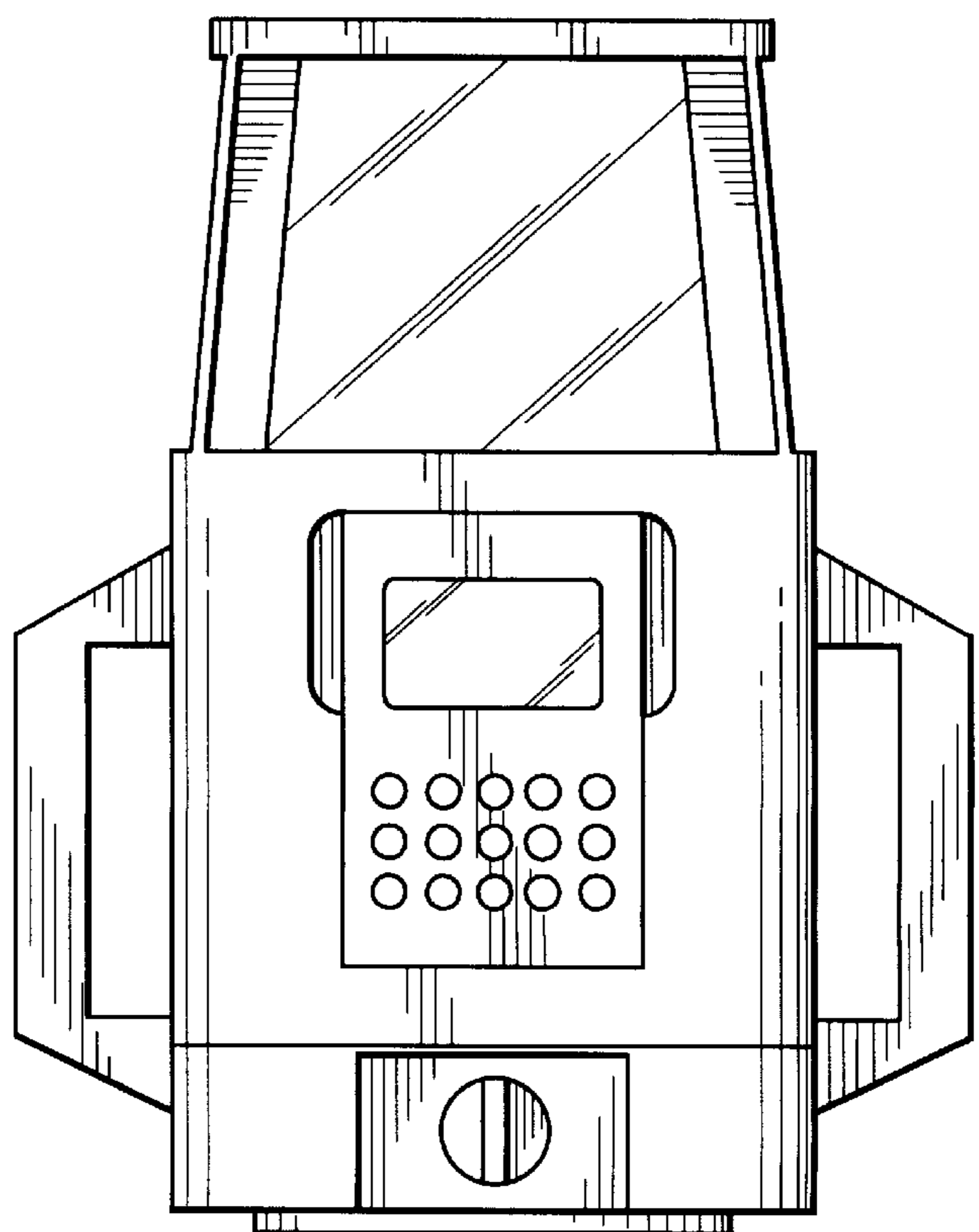


FIG. 4

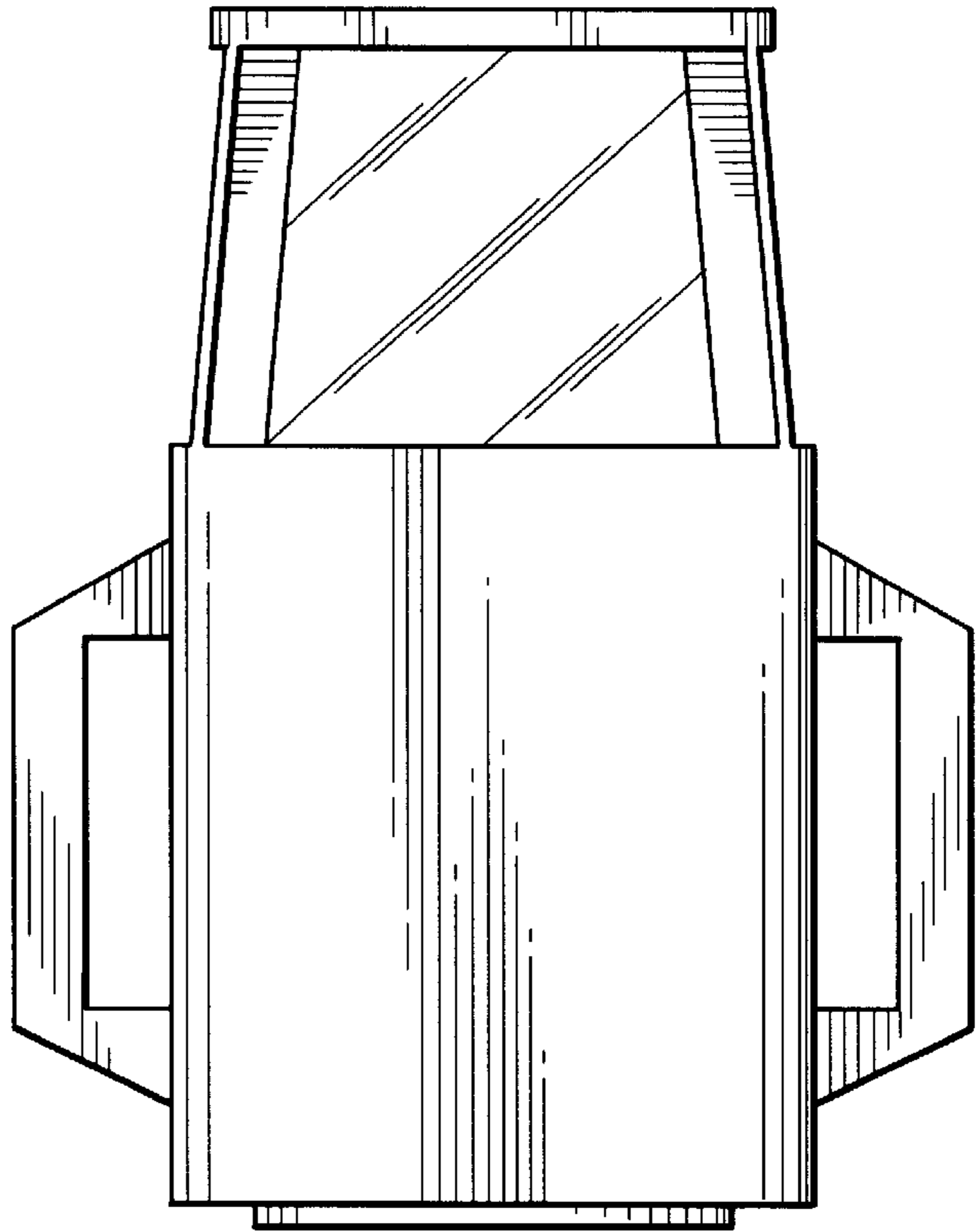


FIG. 5

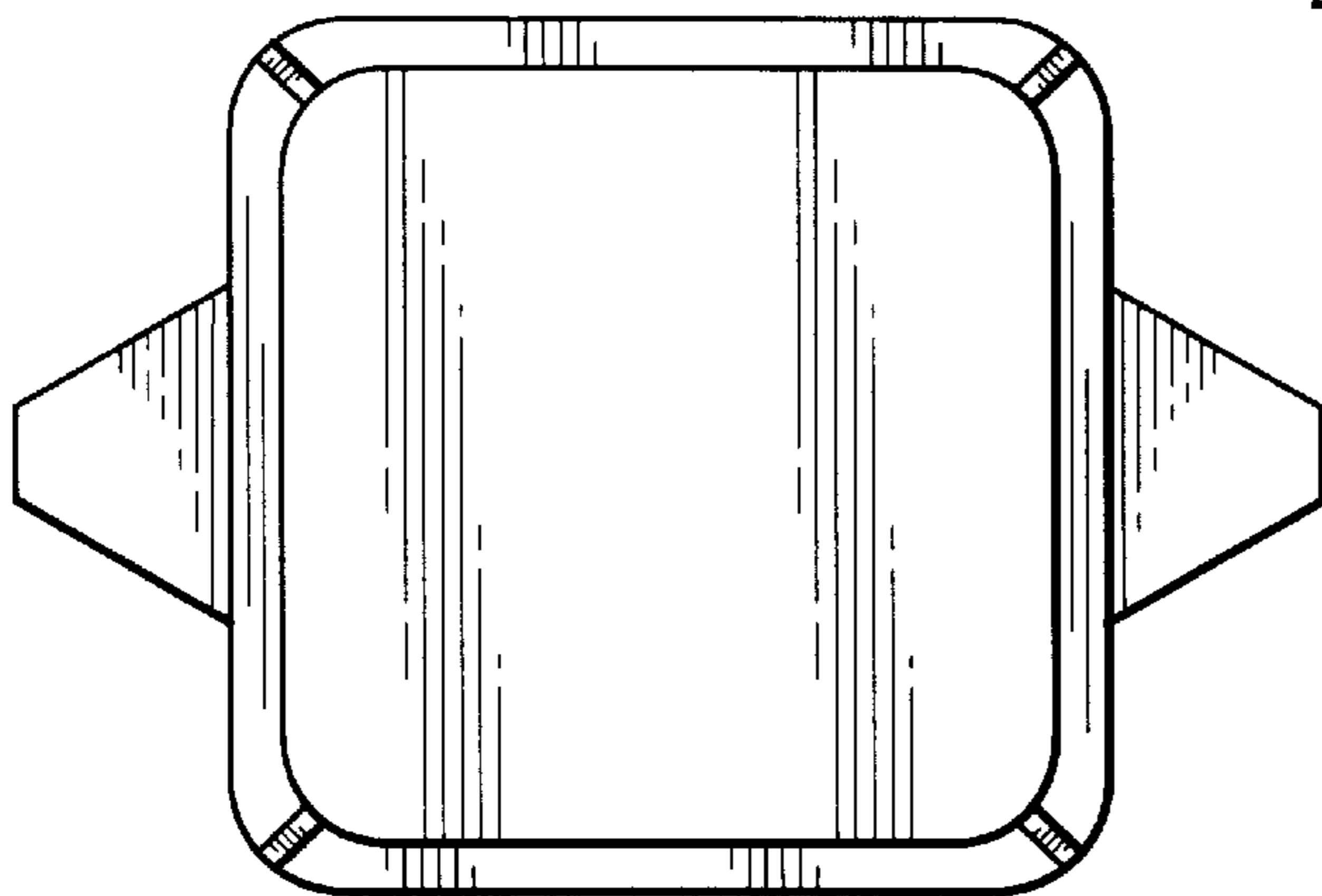


FIG. 6

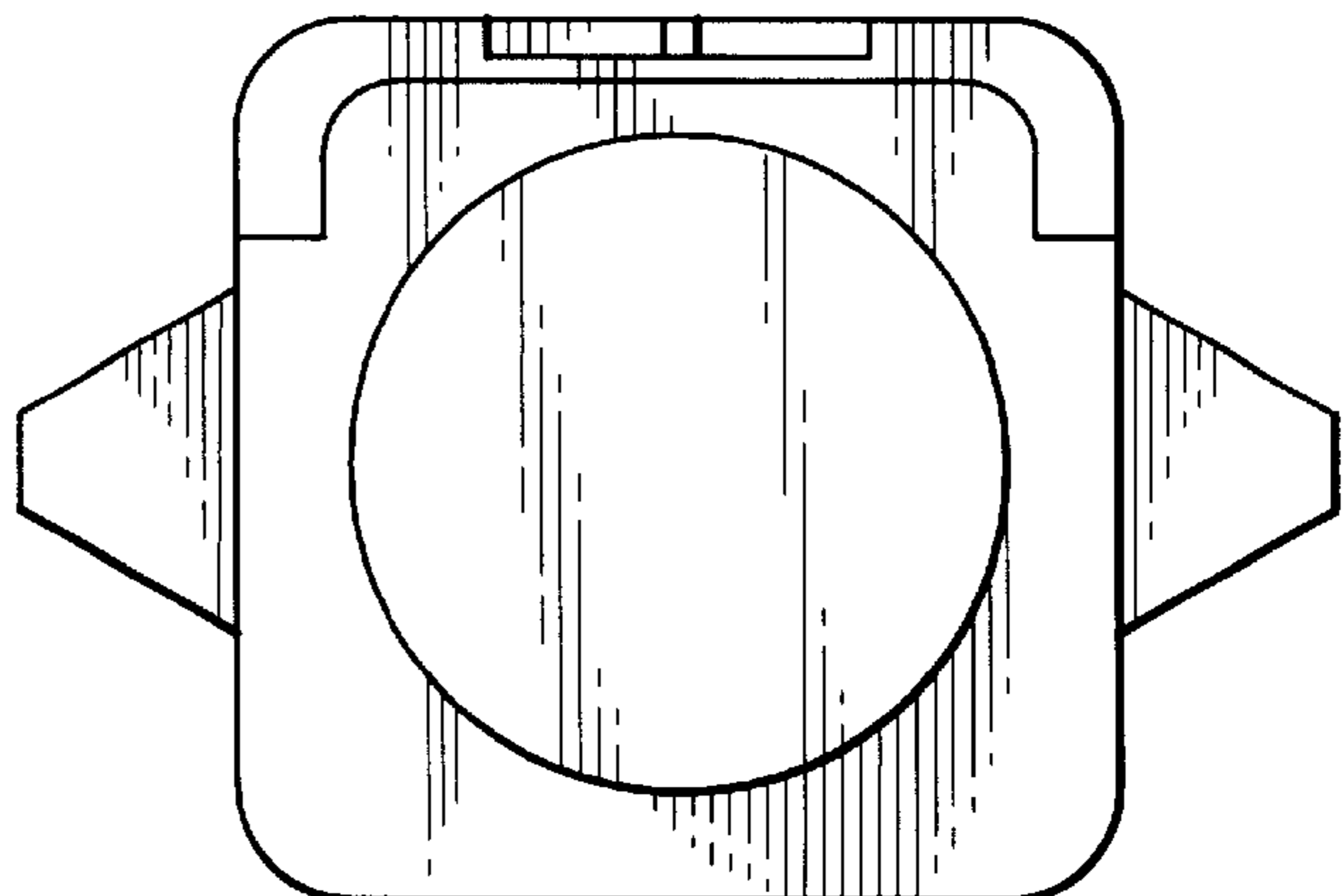
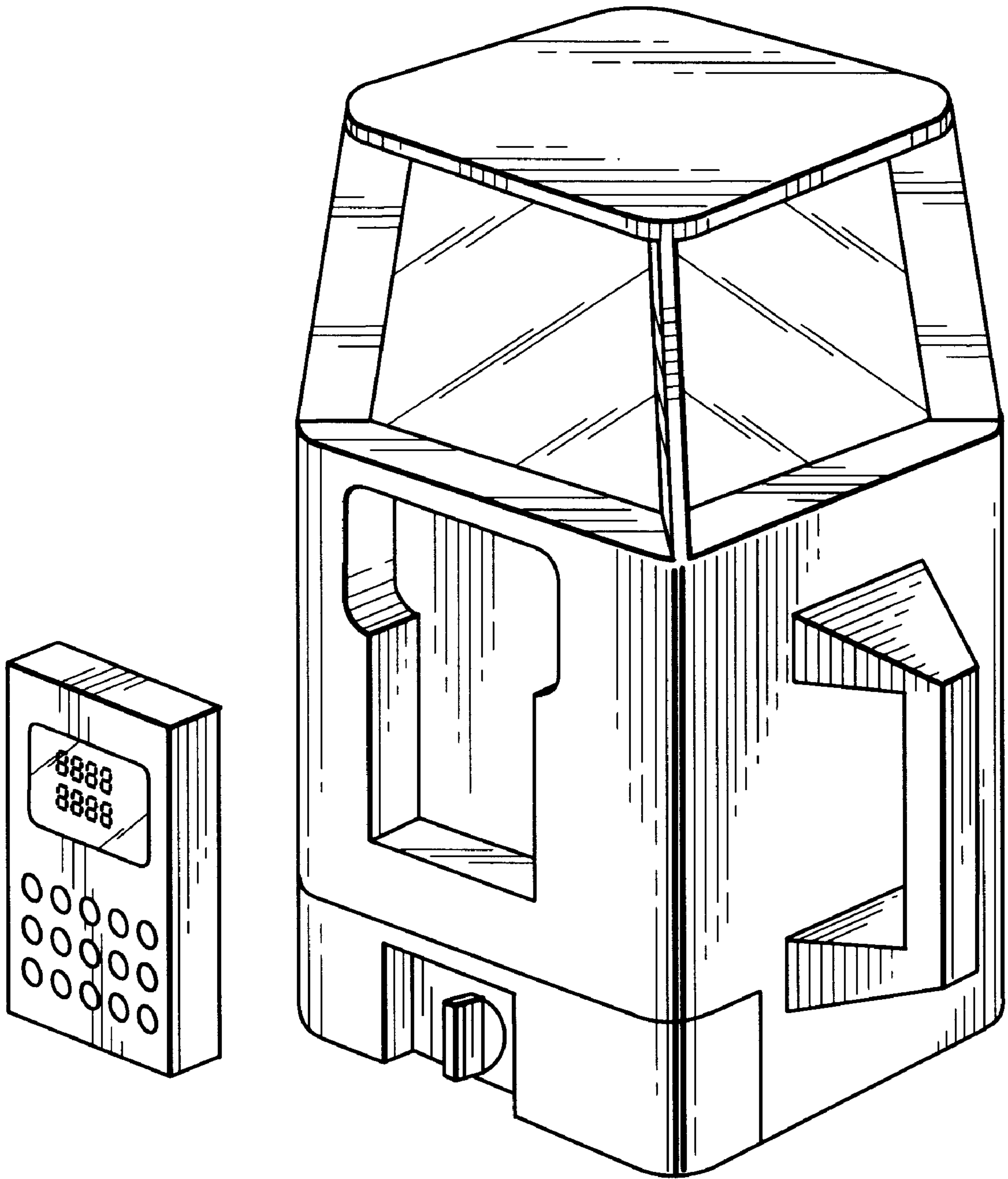


FIG. 7



UNITED STATES PATENT AND TRADEMARK OFFICE
CERTIFICATE OF CORRECTION

PATENT NO. : Des 416,856
DATED : November 23, 1999
INVENTOR(S) : Jun Onose

Page 1 of 1

It is certified that error appears in the above-identified patent and that said Letters Patent is hereby corrected as shown below:

Title page, item [73],

Please change the Assignee's name from "Kabushiki Kaisha" to -- Kabushiki Kaisha Topcon --.

Signed and Sealed this

Second Day of October, 2001

Attest:

Nicholas P. Godici

Attesting Officer

NICHOLAS P. GODICI
Acting Director of the United States Patent and Trademark Office