



US00D416853S

**United States Patent** [19]  
**Aitken**

[11] **Patent Number: Des. 416,853**

[45] **Date of Patent: \*\* Nov. 23, 1999**

[54] **BOLLARD CAP**

3,780,690 12/1973 McGahee ..... 114/218  
4,437,427 3/1984 Mampaeij ..... 114/218

[75] Inventor: **John W. Aitken**, Littleton, Colo.

*Primary Examiner*—Kay H. Chin

[73] Assignees: **Jeffrey Aitken; Jill Carlile**, both of Littleton, Colo.

*Attorney, Agent, or Firm*—Dorr, Carson, Sloan & Birney, P.C.

[\*\*] Term: **14 Years**

[57] **CLAIM**

[21] Appl. No.: **29/089,344**

The ornamental design for a bollard cap, as shown and described.

[22] Filed: **Jun. 12, 1998**

**DESCRIPTION**

[51] **LOC (6) Cl.** ..... **12-06**

FIG. 1 is a front perspective view of a bollard cap showing my new design.

[52] **U.S. Cl.** ..... **D12/317**

FIG. 2 is a front elevational view of the bollard cap, with the rear elevational view being the same as FIG. 1.

[58] **Field of Search** ..... D12/317; 114/218, 114/230

FIG. 3 is a left side elevational view of the bollard cap, with the right side elevational view being the same as FIG. 3.

[56] **References Cited**

FIG. 4 is a top plan view of the bollard cap.

**U.S. PATENT DOCUMENTS**

FIG. 5 is a bottom plan view of the bollard cap; and,

- D. 204,332 4/1966 Hargraves ..... D12/317
- 1,694,312 12/1928 Clark ..... 114/218
- 3,270,705 9/1966 Roegen ..... 114/218

FIG. 6 is a cross-sectional view of the bollard cap.

**1 Claim, 2 Drawing Sheets**

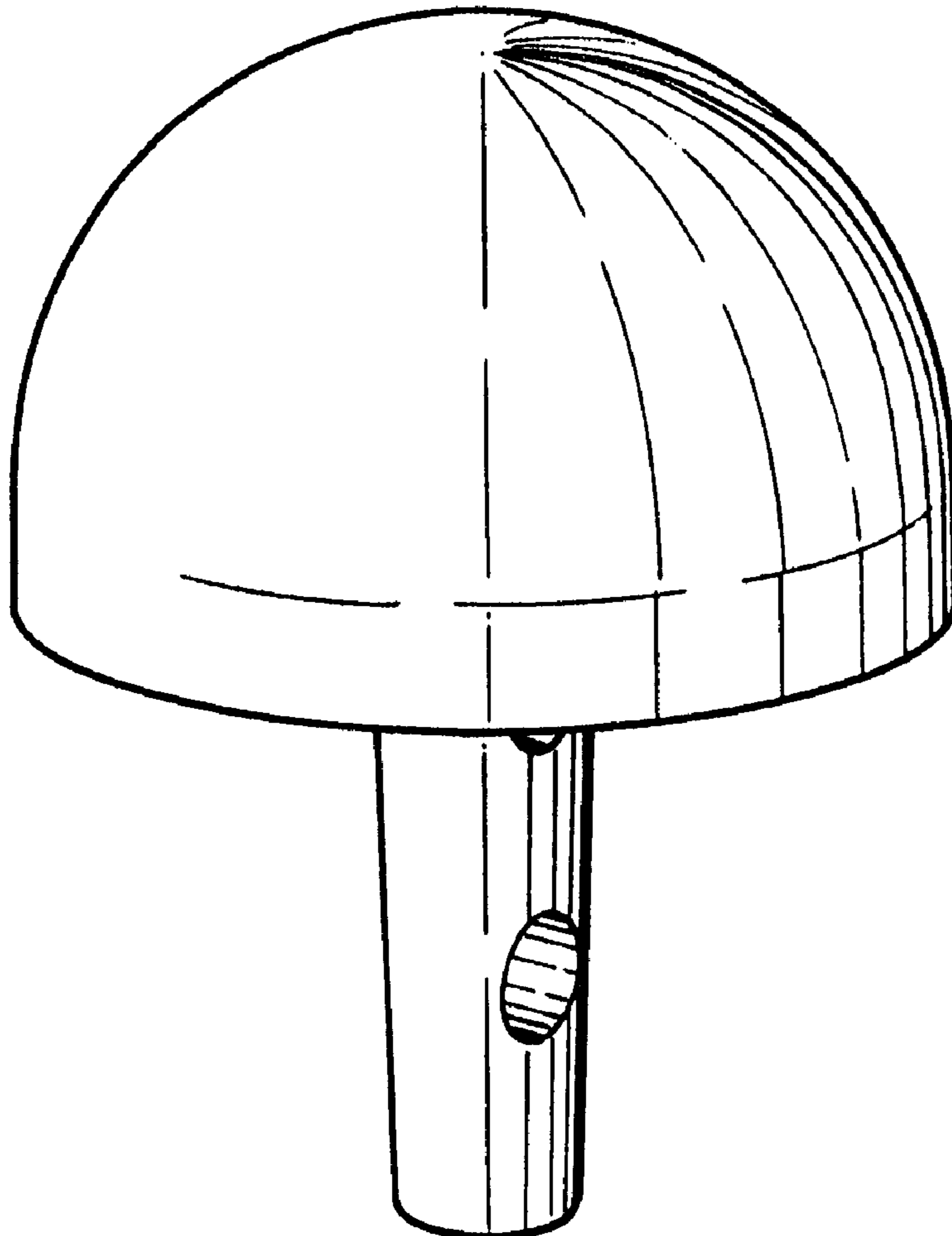


Fig. 1

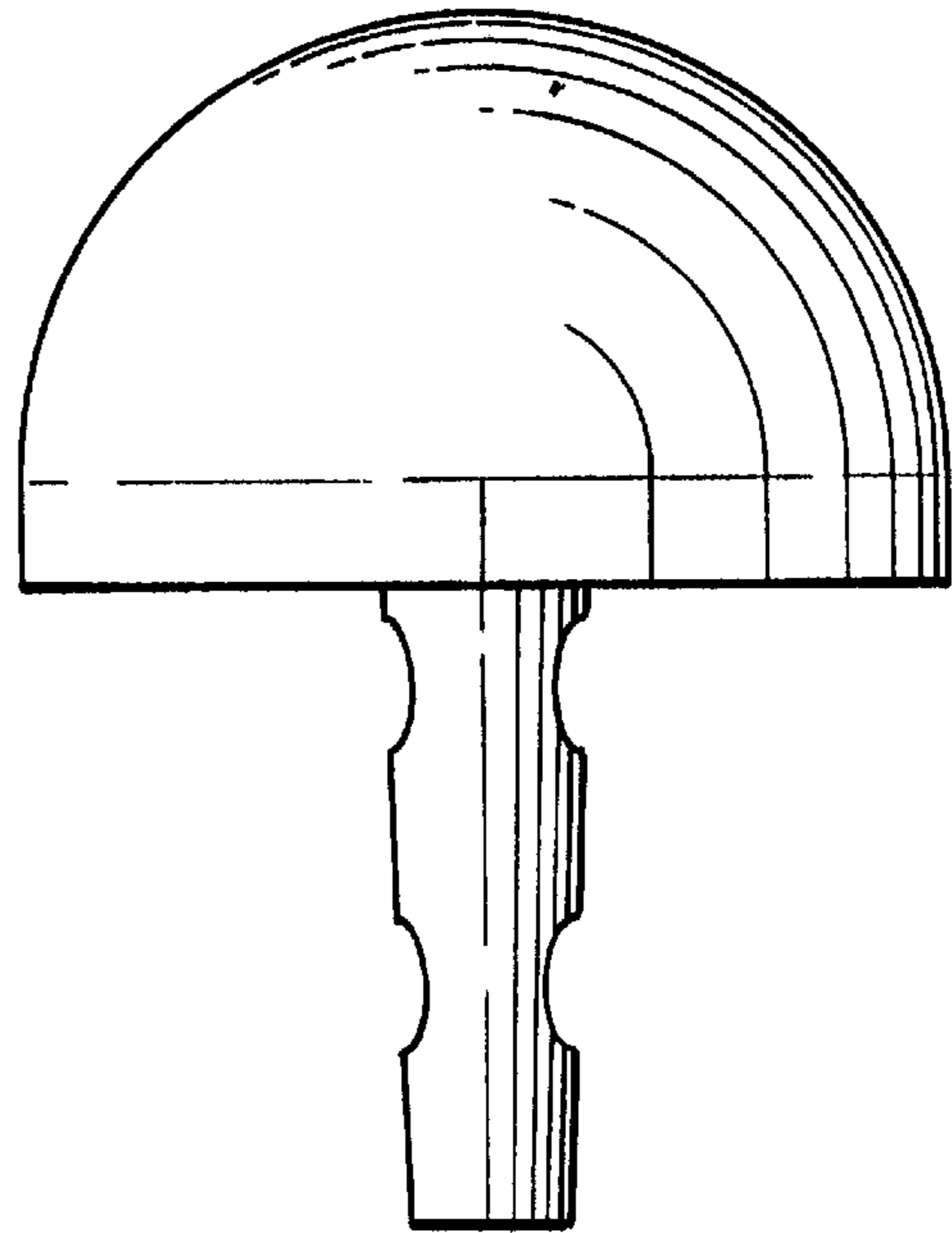
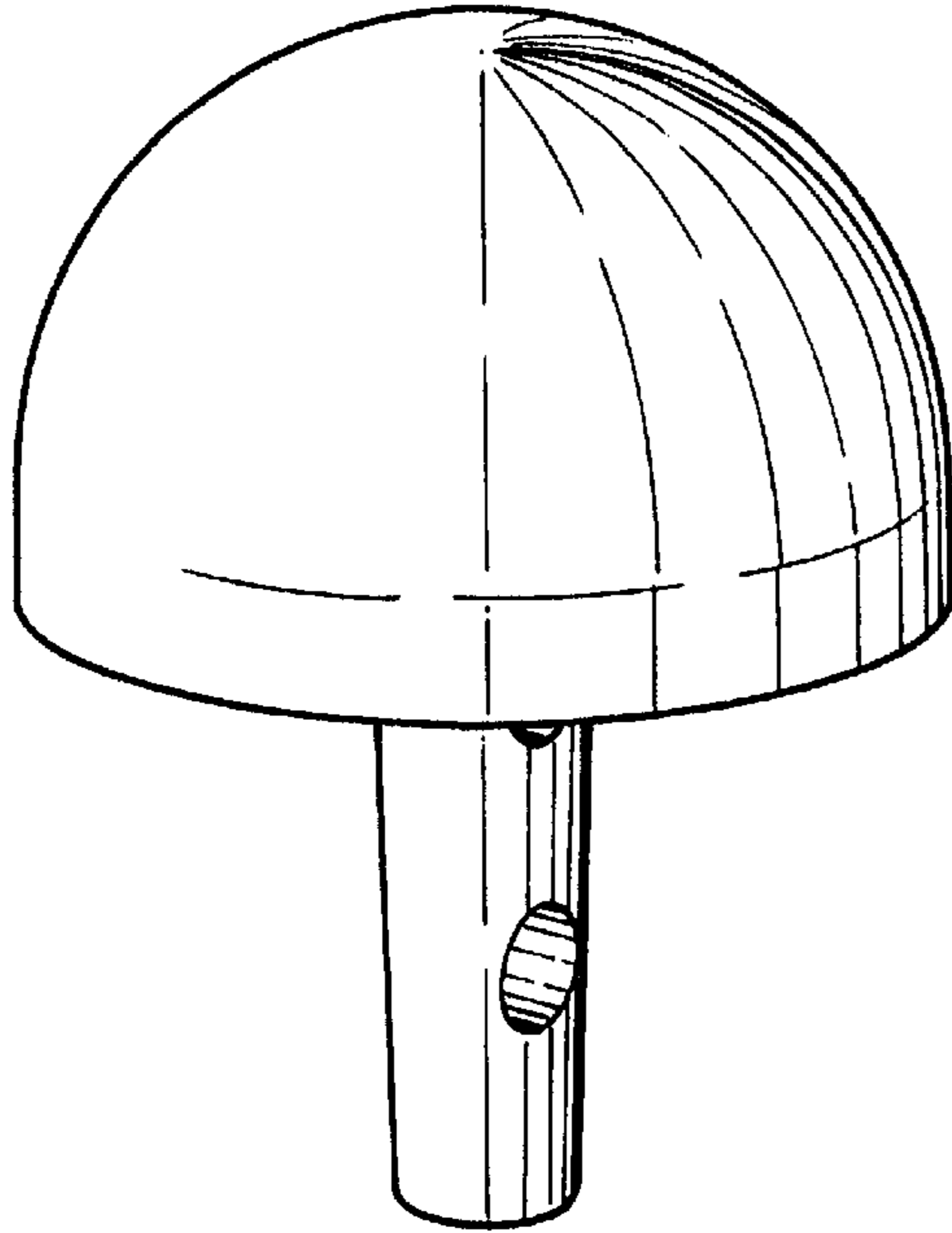


Fig. 3

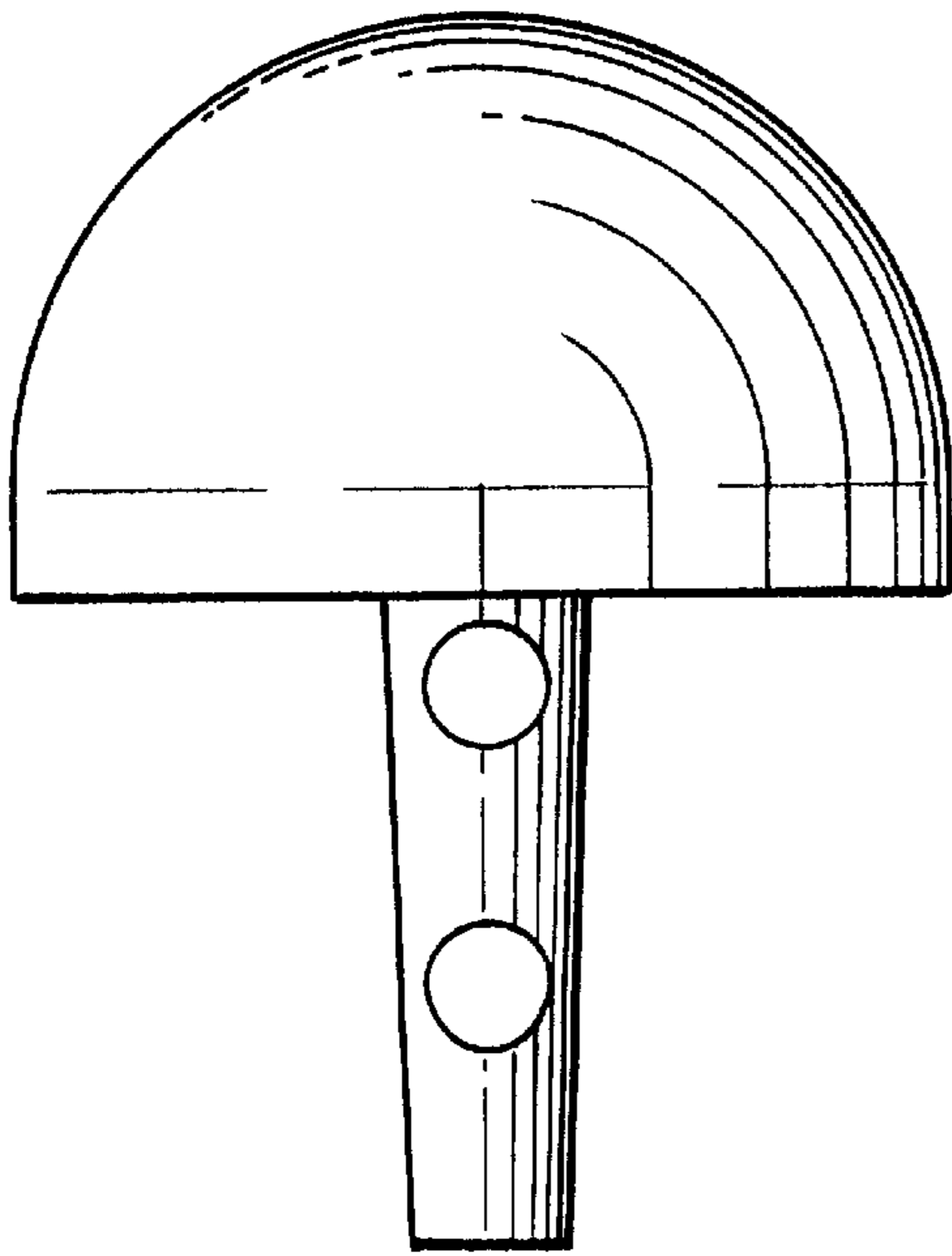


Fig. 2

Fig. 4

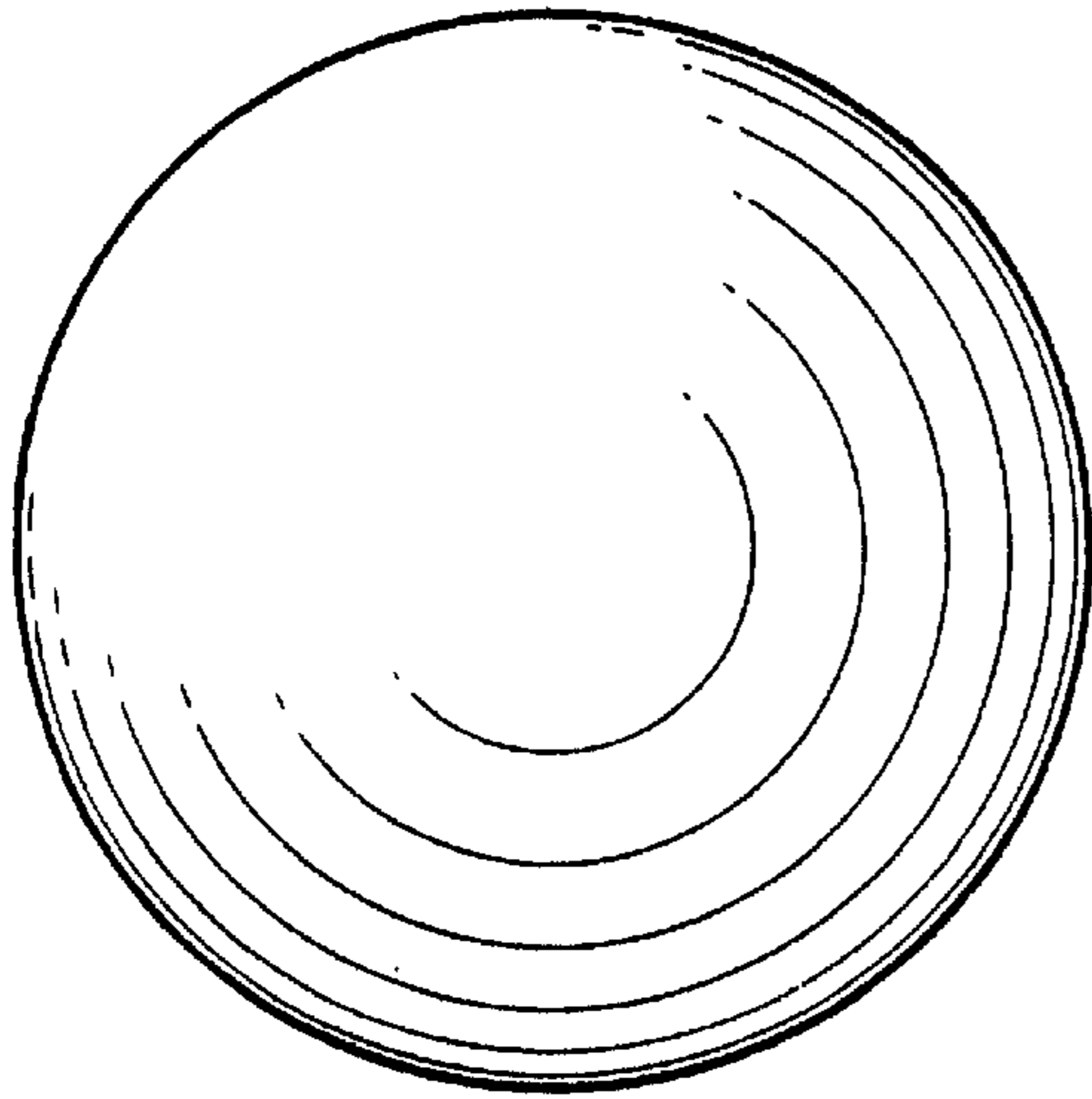


Fig. 5

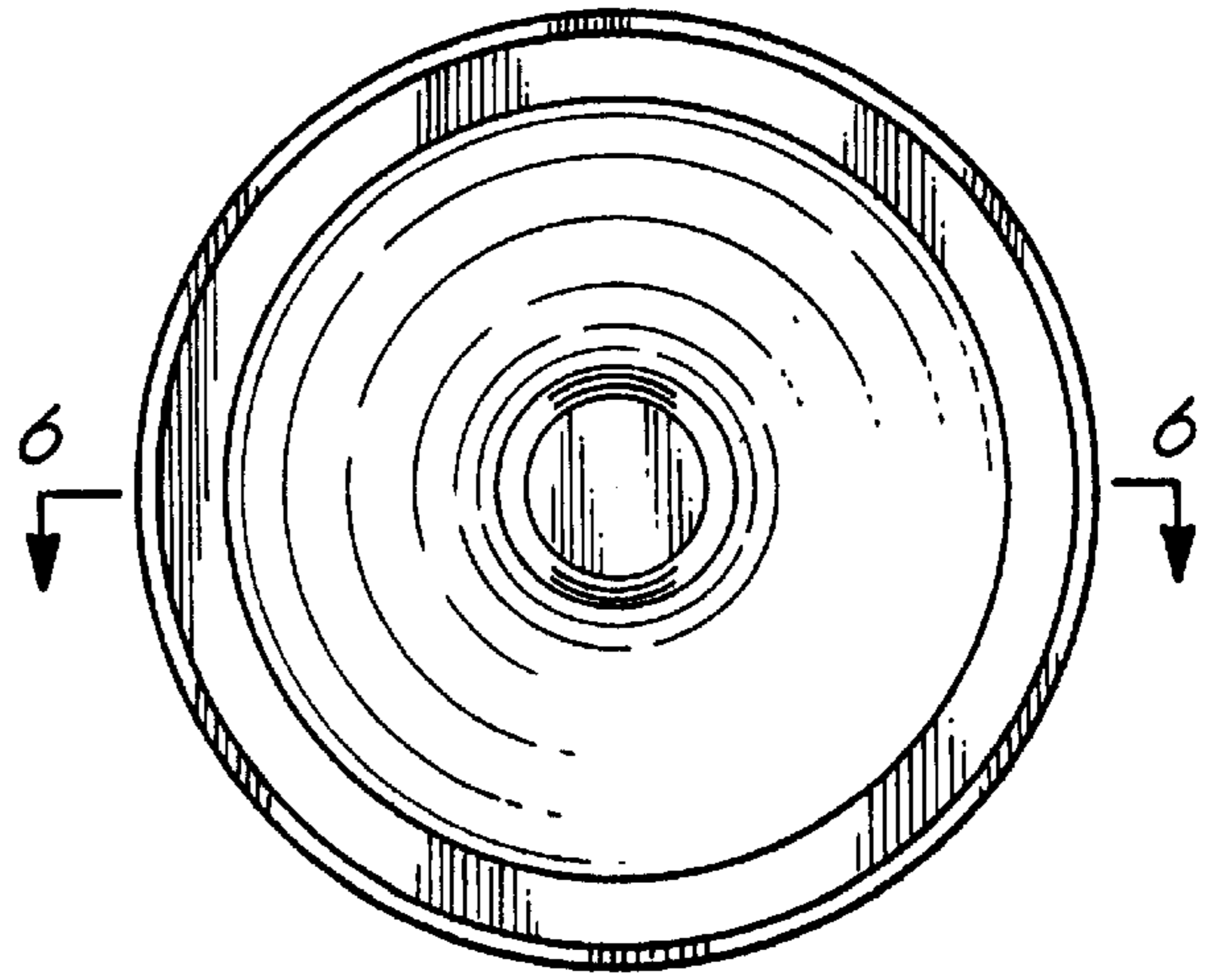


Fig. 6

