



US00D416852S

# United States Patent [19] Clarke

[11] **Patent Number: Des. 416,852**

[45] **Date of Patent: \*\* Nov. 23, 1999**

[54] **BOAT**

[76] **Inventor: Robert Leslie Clarke, 37 Bednal Rd.,  
Springwood N. S. W. 2777, Australia**

[\*\*] **Term: 14 Years**

[21] **Appl. No.: 29/099,280**

[22] **Filed: Jan. 19, 1999**

### [30] Foreign Application Priority Data

Jul. 20, 1998 [AU] Australia ..... 2138/1998

[51] **LOC (6) Cl. .... 12-06**

[52] **U.S. Cl. .... D12/310; D12/300; D12/314**

[58] **Field of Search .... D12/300-318;  
114/61, 56, 57, 355, 357, 283, 290**

### [56] References Cited

#### U.S. PATENT DOCUMENTS

D. 336,887 6/1993 Granie et al. .... D12/310

D. 348,039 6/1994 Kline ..... D12/314  
D. 402,618 12/1998 Veazey ..... D12/310  
5,435,260 7/1995 Granie et al. .... 114/61

*Primary Examiner—Kay H. Chin*  
*Attorney, Agent, or Firm—Finnegan, Henderson, Farabow,  
Garrett & Dunner, L.L.P.*

### [57] CLAIM

The ornamental design for a boat, as shown and described.

### DESCRIPTION

FIG. 1 is a top plan view of a boat embodying my design;  
FIG. 2 is a left side view thereof, the right side view being  
a mirror image in appearance.

FIG. 3 is a bottom plan view thereof;

FIG. 4 is a front view thereof;

FIG. 5 is a back view thereof; and,

FIG. 6 is a top perspective view thereof.

**1 Claim, 2 Drawing Sheets**

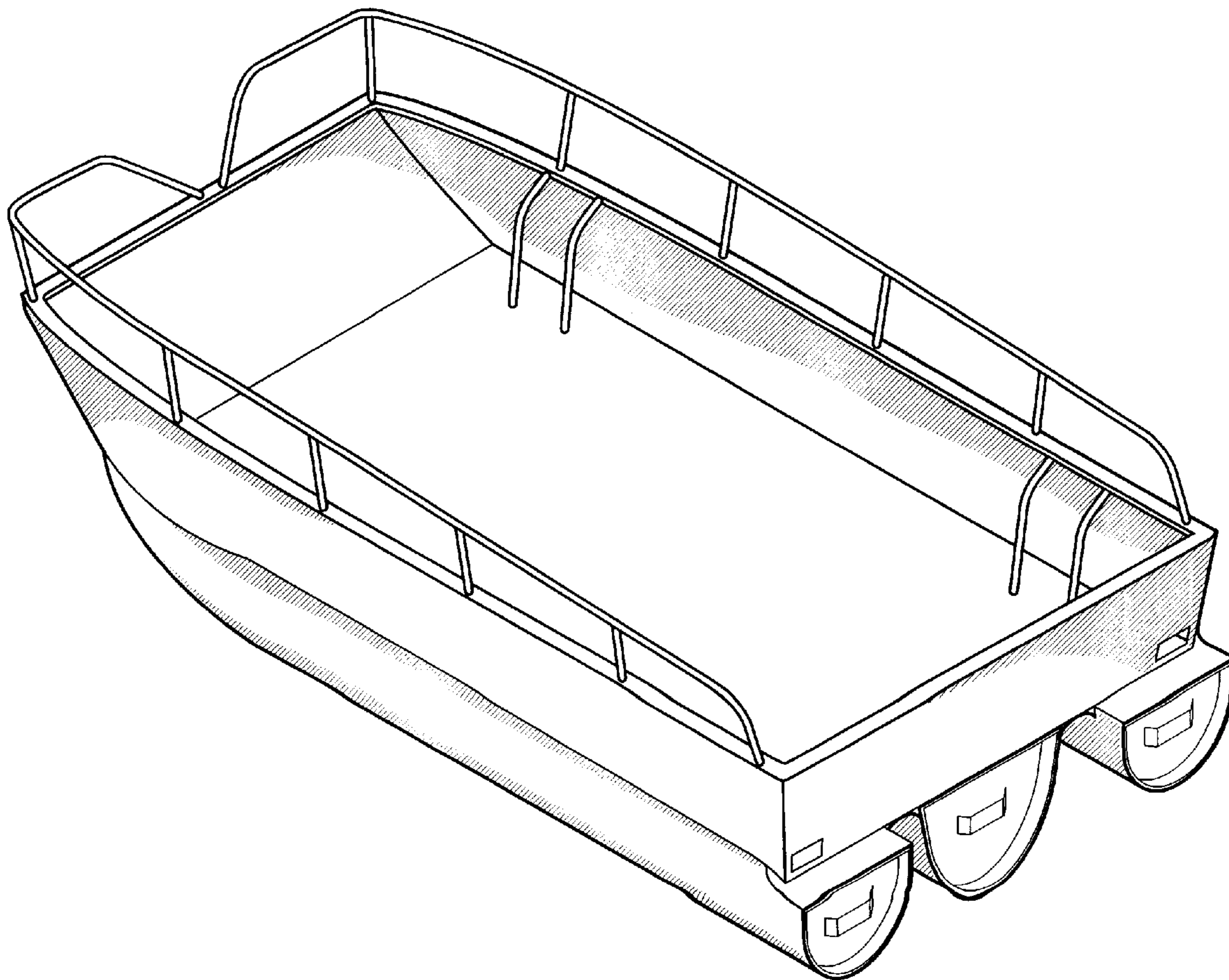


Fig 1.

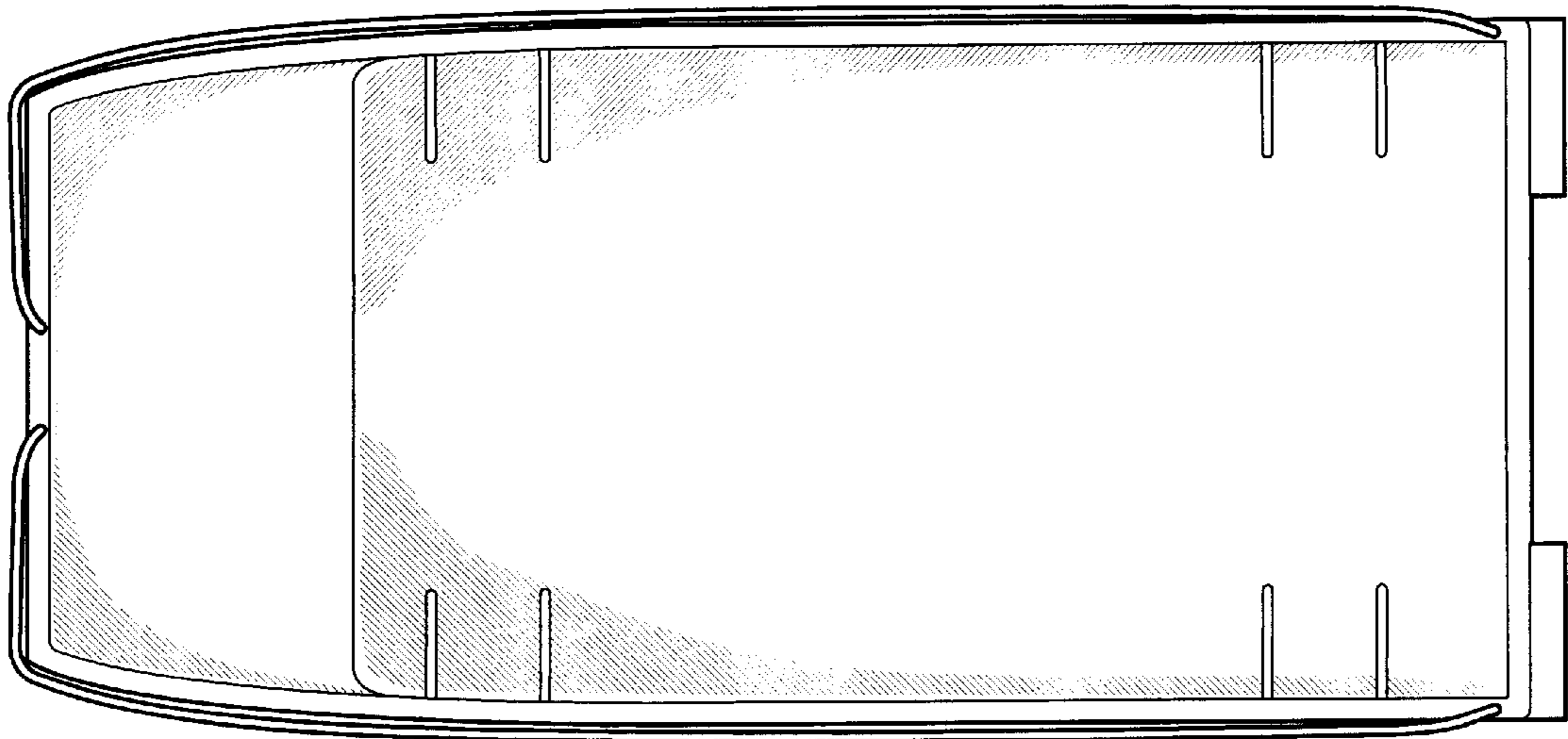


Fig 2.

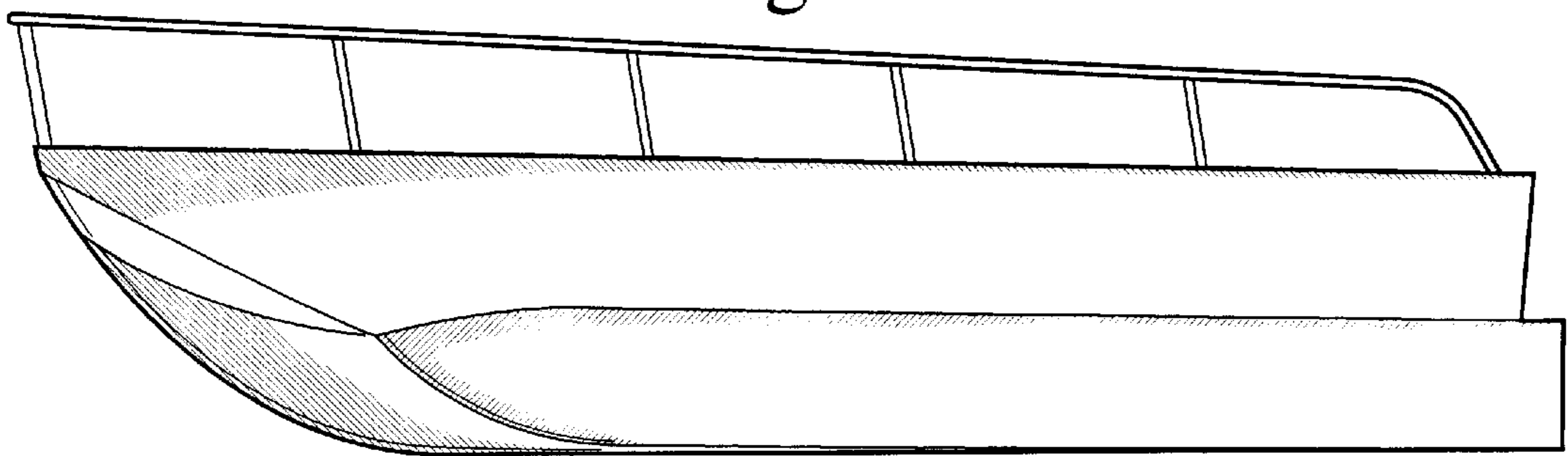


Fig 3.

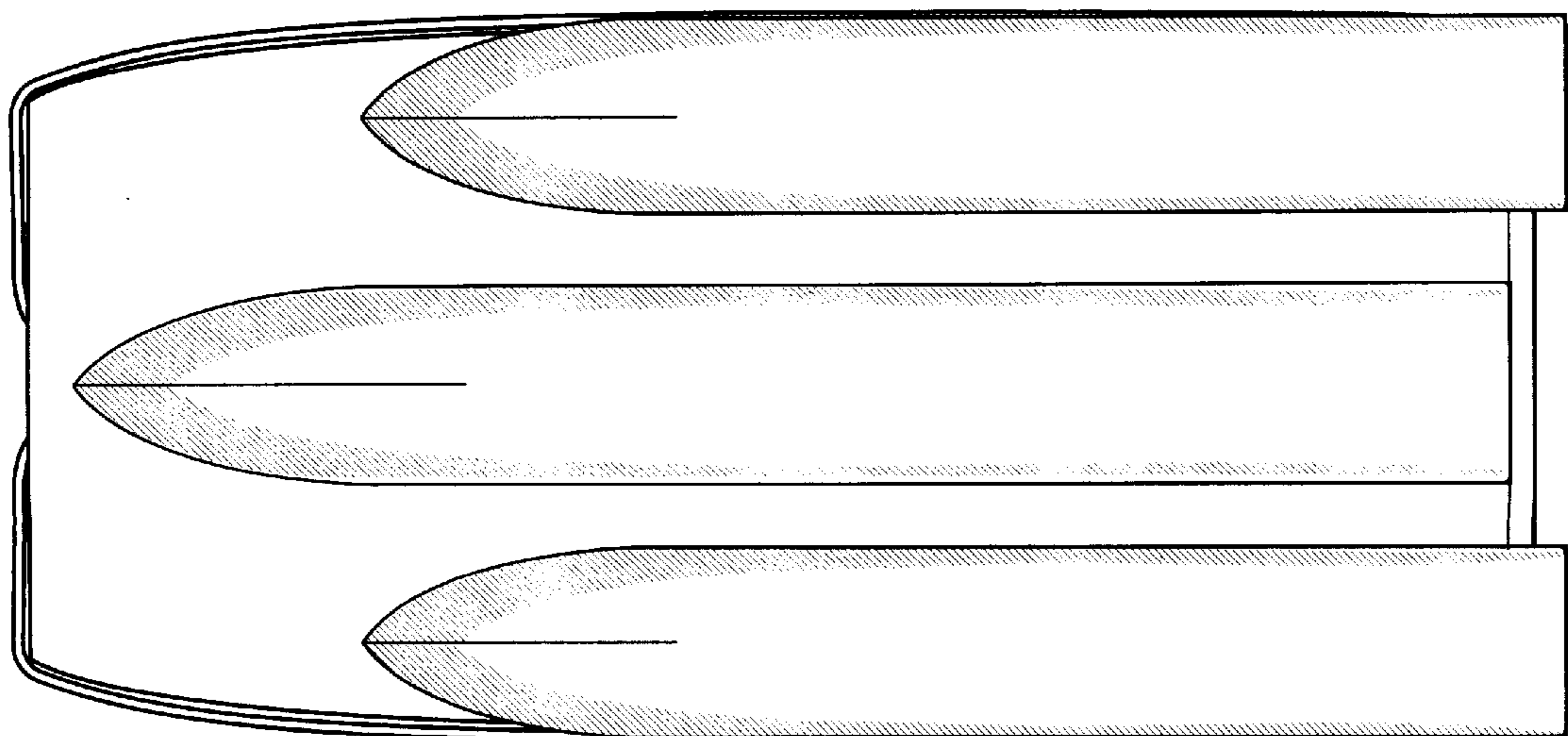


Fig 4.

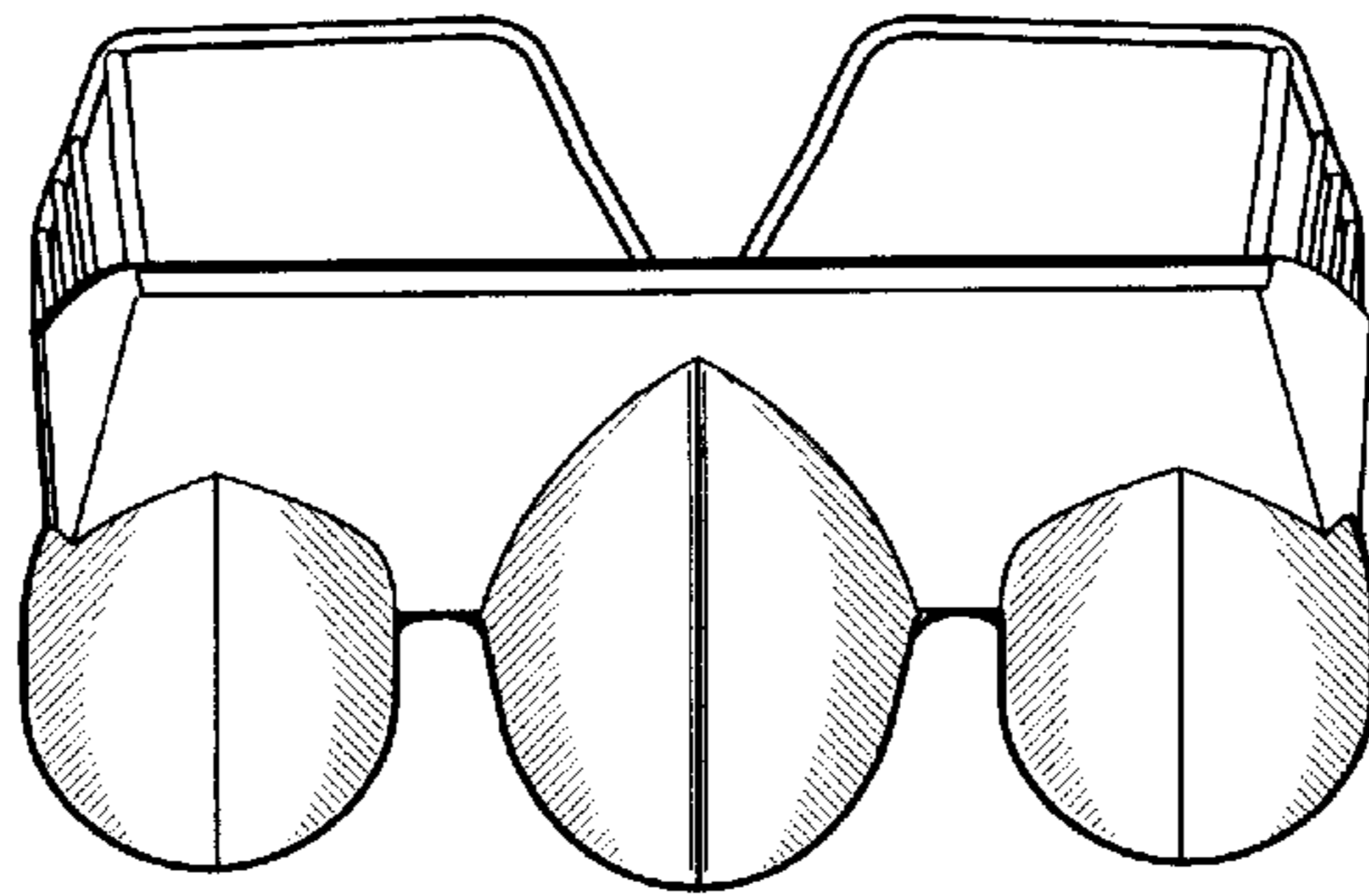


Fig 5.

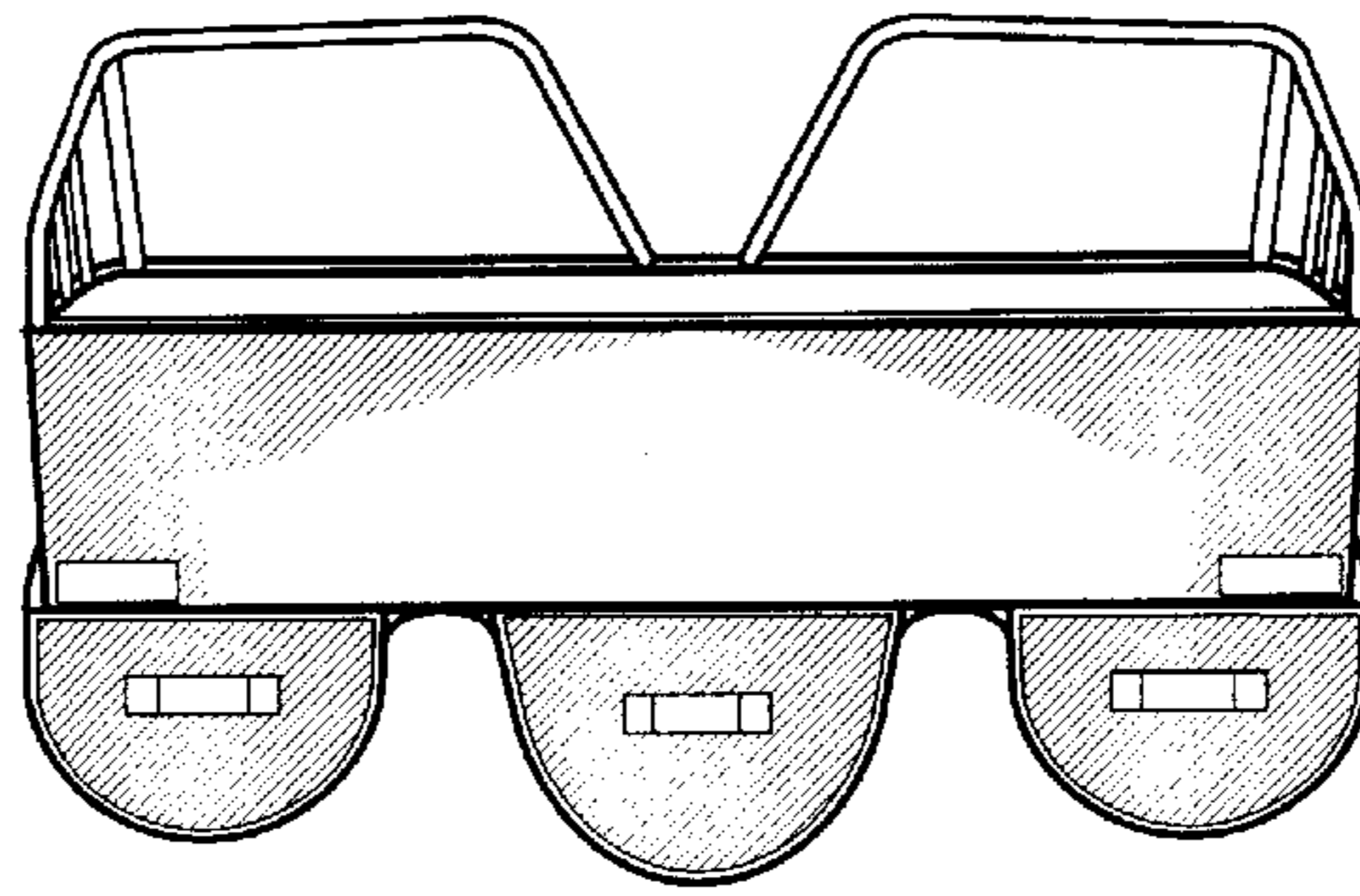


Fig 6.

