



US00D416850S

United States Patent [19]

Cohen et al.

[11] Patent Number: **Des. 416,850**

[45] Date of Patent: **** Nov. 23, 1999**

[54] **FRONT FACE OF A VEHICLE WHEEL**

[75] Inventors: **Dennis Cohen**, Irvine; **Terence Scheckter**, Laguna Beach; **Rich Brown**, La Palma, all of Calif.

[73] Assignee: **Just Wheels & Tires**, Santa Ana, Calif.

[**] Term: **14 Years**

[21] Appl. No.: **29/095,793**

[22] Filed: **Oct. 30, 1998**

[51] **LOC (6) Cl.** **12-16**

[52] **U.S. Cl.** **D12/211**

[58] **Field of Search** D12/204-213;
301/64, 65, 37.1

[56] **References Cited**

U.S. PATENT DOCUMENTS

D. 32,459	4/1900	Conner	D12/211
D. 225,626	12/1972	Davidson	D12/211
D. 270,344	8/1983	Cunard et al.	D12/211
D. 294,821	3/1988	Danbom	D12/211
D. 327,049	6/1992	Boyer	D12/211

D. 339,561	9/1993	Maiworm et al.	D12/211
D. 344,924	3/1994	Braungart et al.	D12/211
D. 375,075	10/1996	Kugler	D12/209
D. 402,951	12/1998	Wechner	D12/211
D. 406,807	3/1999	Shikado	D12/211

Primary Examiner—Doris V. Coles
Assistant Examiner—Stacia Sinuik
Attorney, Agent, or Firm—Liniak, Berenat, Longacre & White

[57] **CLAIM**

The ornamental design for a front face of a vehicle wheel, as shown and described.

DESCRIPTION

FIG. 1 is a front elevational view of the front face of a vehicle according to the invention; and FIG. 2 is a perspective view of the front face of a vehicle wheel as shown in FIG. 1.

The broken line showing the rear portion of the vehicle wheel in FIG. 2 is for illustrative purposes and forms no part of the claimed design.

1 Claim, 2 Drawing Sheets

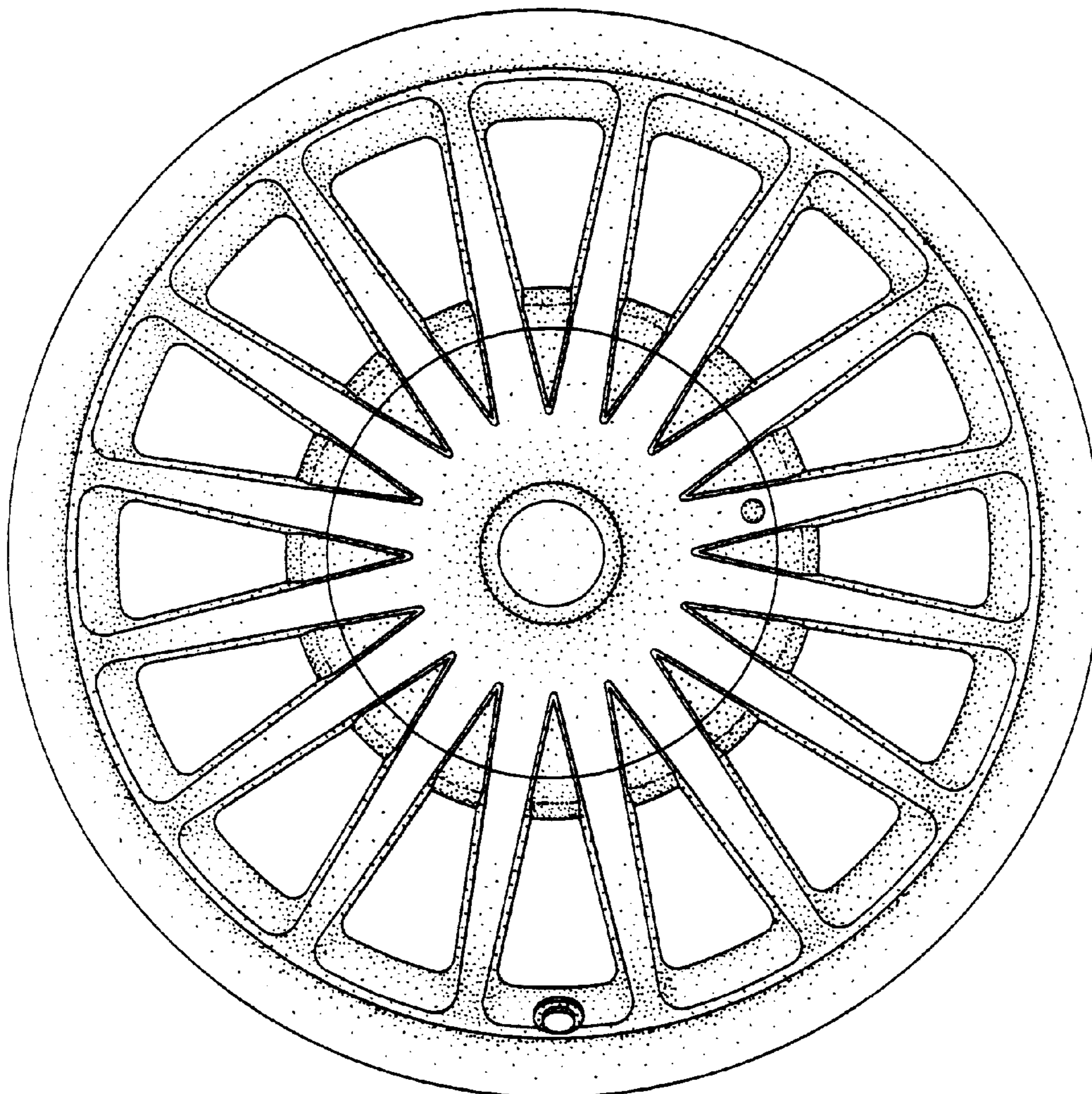


Fig. 1

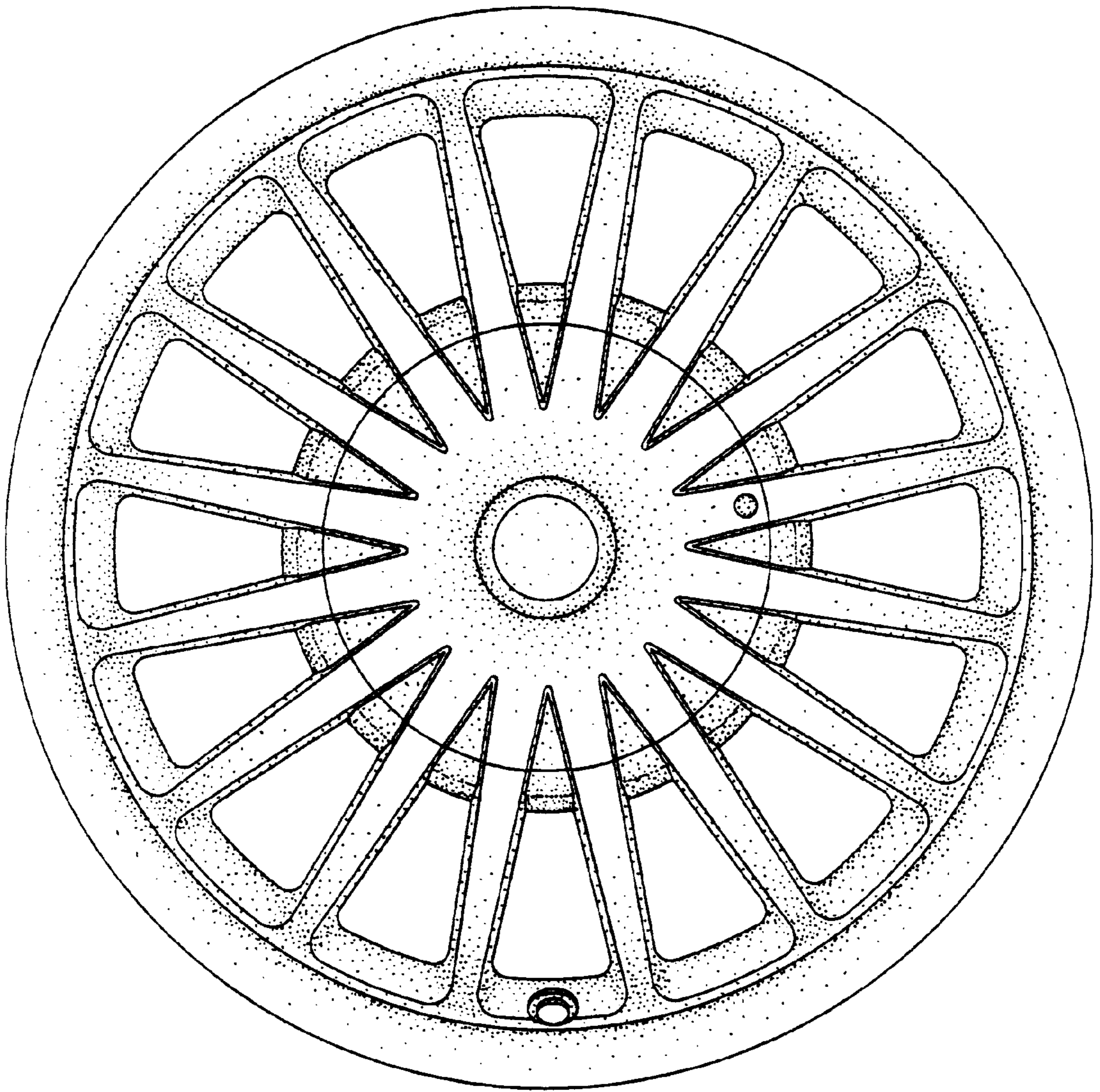


Fig. 2

