



US00D416849S

United States Patent [19]

Weidhase

[11] Patent Number: Des. 416,849

[45] Date of Patent: ** Nov. 23, 1999

[54] FRONT FACE OF A VEHICLE WHEEL

[75] Inventor: Ulf Weidhase, Garching, Germany

[73] Assignee: Bayerische Motoren Werke
Aktiengesellschaft, Munich, Germany

[**] Term: 14 Years

[21] Appl. No.: 29/093,375

[22] Filed: Sep. 4, 1998

[51] LOC (6) Cl. 12-16

[52] U.S. Cl. D12/211

[58] Field of Search D12/204-213;
301/64.1, 65, 37.1

D. 394,838	6/1998	Suprihanto	D12/211
D. 395,270	6/1998	Baumgartner et al.	D12/211
D. 398,898	9/1998	Baumgartner et al.	D12/211
D. 401,206	11/1998	Ivanova	D12/209
D. 402,951	12/1998	Wechner	D12/211
D. 405,409	2/1999	Baumgartner	D12/211
D. 405,749	2/1999	Kulla	D12/211

Primary Examiner—Doris V. Coles
Assistant Examiner—Stacia Sinuik
Attorney, Agent, or Firm—Evenson, McKeown, Edwards & Lenahan, P.L.L.C.

[57] CLAIM

The ornamental design for a front face of a vehicle wheel, as shown and described.

DESCRIPTION

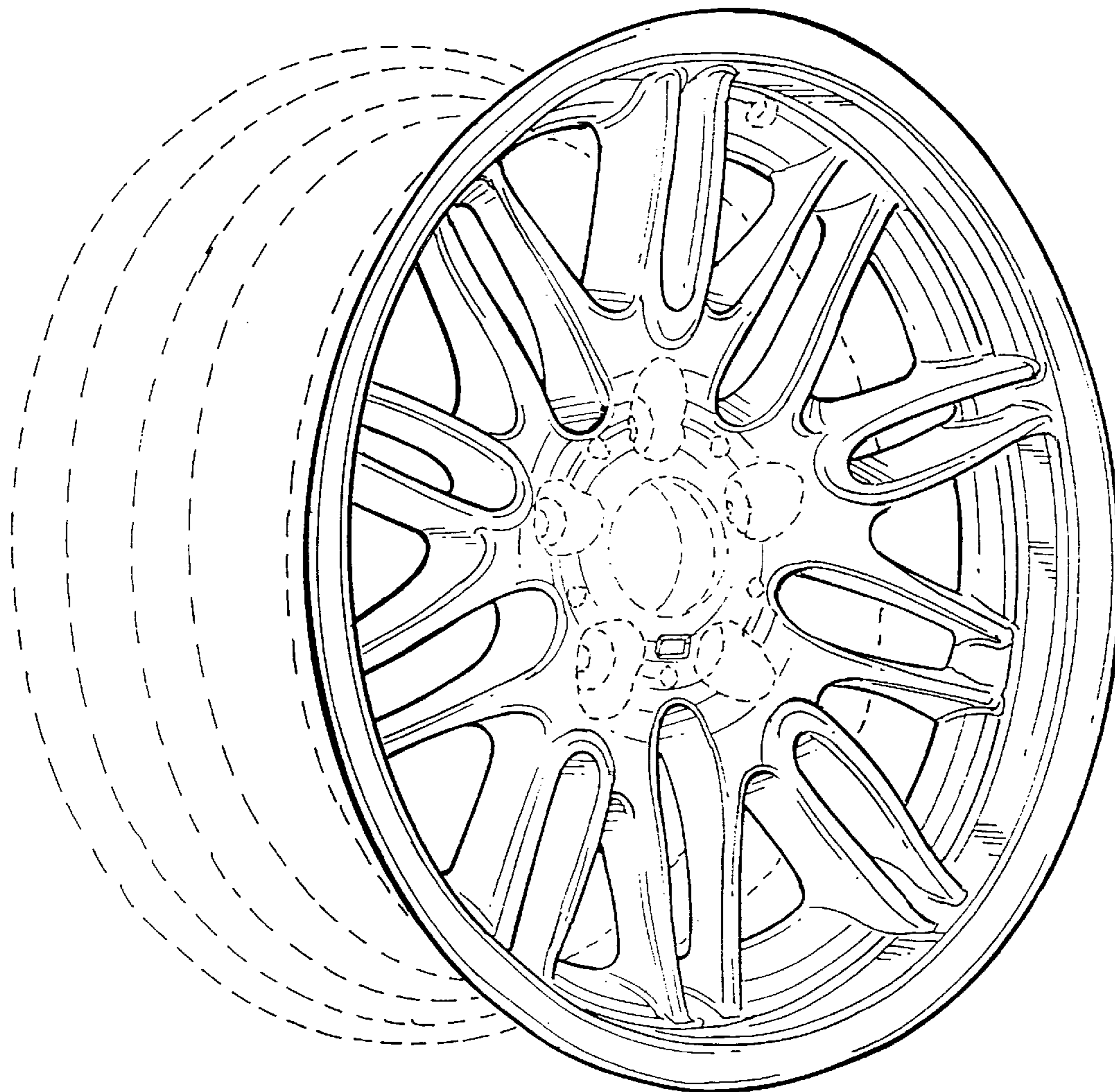
FIG. 1 is a front view of a front face of a vehicle wheel according to my novel design; and, FIG. 2 is a front perspective view of a front face of a vehicle wheel according to my novel design. The dash line included depicts environment and is not part of the claimed design.

1 Claim, 2 Drawing Sheets

[56] References Cited

U.S. PATENT DOCUMENTS

D. 348,243	6/1994	Echazabal et al.	D12/211
D. 350,932	9/1994	Echazabal	D12/211
D. 376,125	12/1996	Fikse	D12/211
D. 380,431	7/1997	Brown et al.	D12/209
D. 380,432	7/1997	Hettler	D12/209
D. 384,633	10/1997	Syring	D12/211



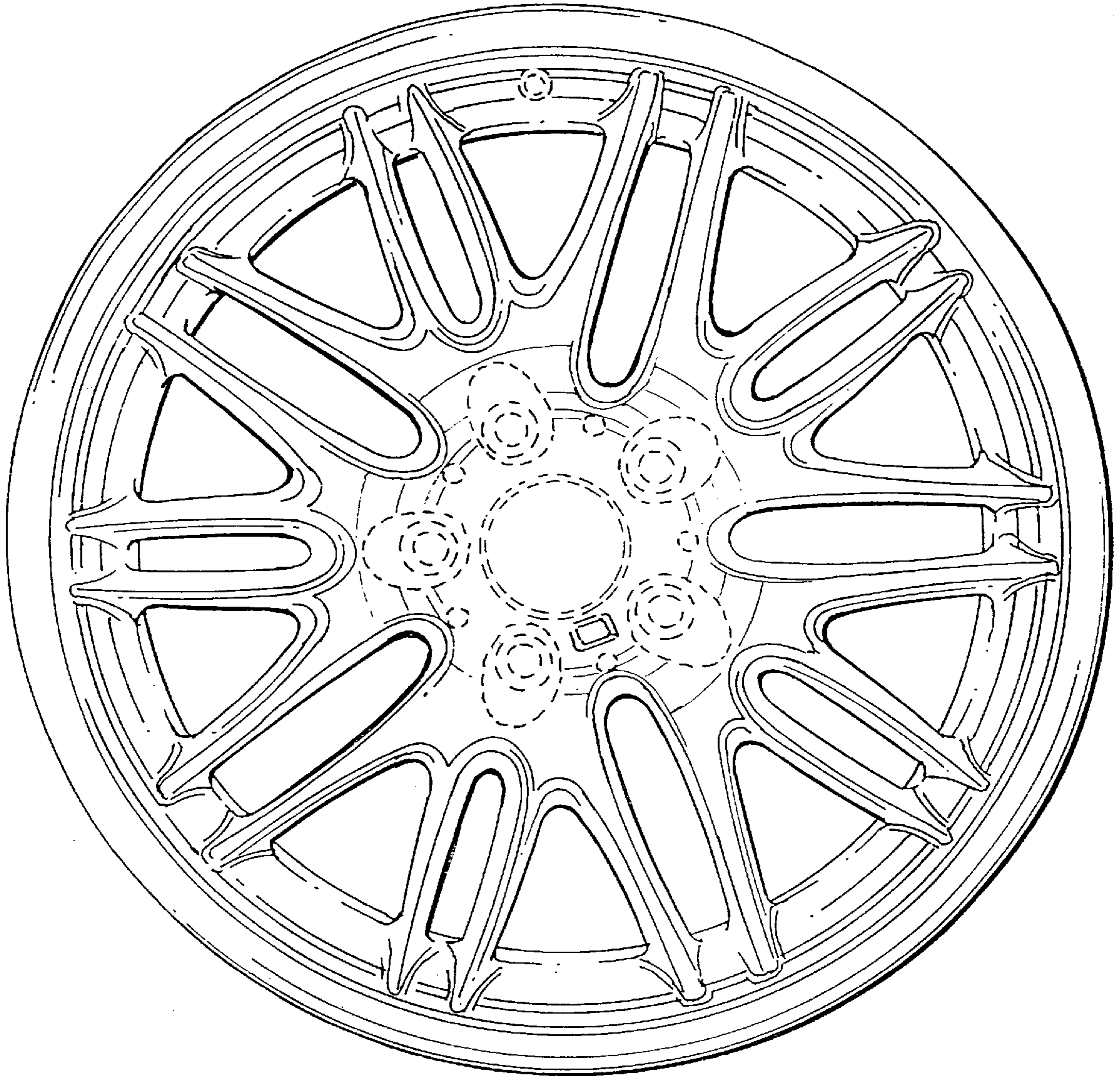


FIG. 1

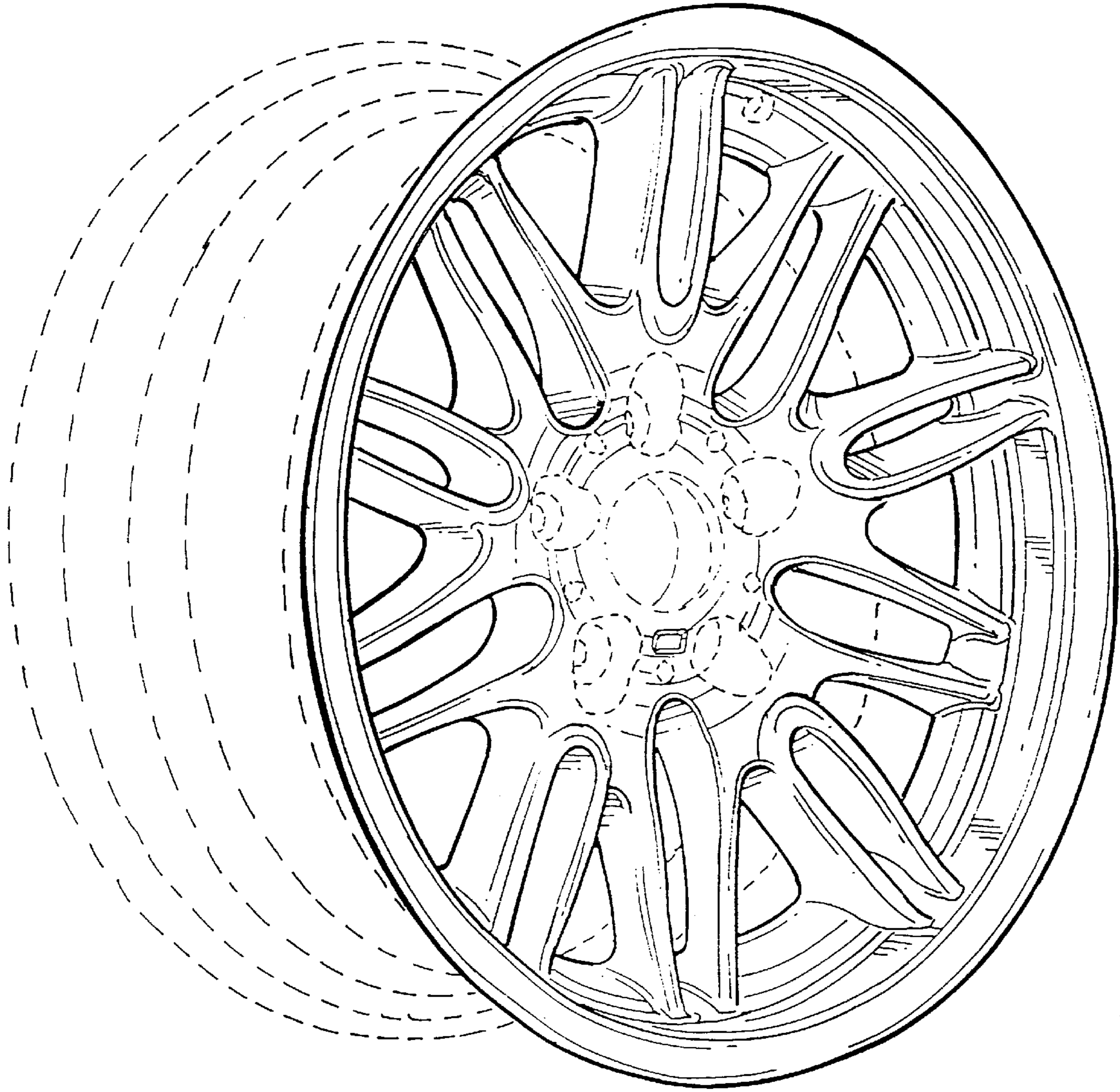


FIG. 2