



US00D416845S

United States Patent [19] Frueh

[11] Patent Number: **Des. 416,845**

[45] Date of Patent: **** Nov. 23, 1999**

[54] **FRONT FACE OF A VEHICLE WHEEL**

[75] Inventor: **Jochen Frueh**, Lampertheim, Germany

[73] Assignee: **Claus Ettensberger Corporation**,
Gardena, Calif.

[**] Term: **14 Years**

[21] Appl. No.: **29/090,775**

[22] Filed: **Jul. 15, 1998**

[51] **LOC (6) Cl.** **12-16**

[52] **U.S. Cl.** **D12/209**

[58] **Field of Search** D12/204-213;
301/64.1, 65, 37.1

| | | | | |
|------------|---------|---------|-------|---------|
| D. 403,288 | 12/1998 | Cullen | | D12/209 |
| D. 403,291 | 12/1998 | Cullen | | D12/211 |
| D. 403,648 | 1/1999 | Feriero | | D12/209 |
| D. 403,649 | 1/1999 | Moreno | | D12/211 |
| D. 409,131 | 5/1999 | Cullen | | D12/209 |

Primary Examiner—Doris V. Coles
Assistant Examiner—Stacia Sinuik
Attorney, Agent, or Firm—Liniak, Berenato, Longacre & White

[57] CLAIM

The ornamental design for a front face of a vehicle wheel, as shown and described.

DESCRIPTION

FIG. 1 is a perspective view of the front face of a vehicle wheel according to the present invention; and, FIG. 2 is a front elevational view of the front face of a vehicle wheel according to the present invention. The broken line showing of environment is for illustrative purposes only and forms no part of the claimed design.

[56] References Cited

U.S. PATENT DOCUMENTS

| | | | | |
|------------|---------|-----------|-------|---------|
| D. 384,027 | 9/1997 | Roesianto | | D12/209 |
| D. 391,913 | 3/1998 | Chung | | D12/209 |
| D. 397,077 | 8/1998 | Cullen | | D12/209 |
| D. 402,252 | 12/1998 | Kulla | | D12/211 |

1 Claim, 1 Drawing Sheet

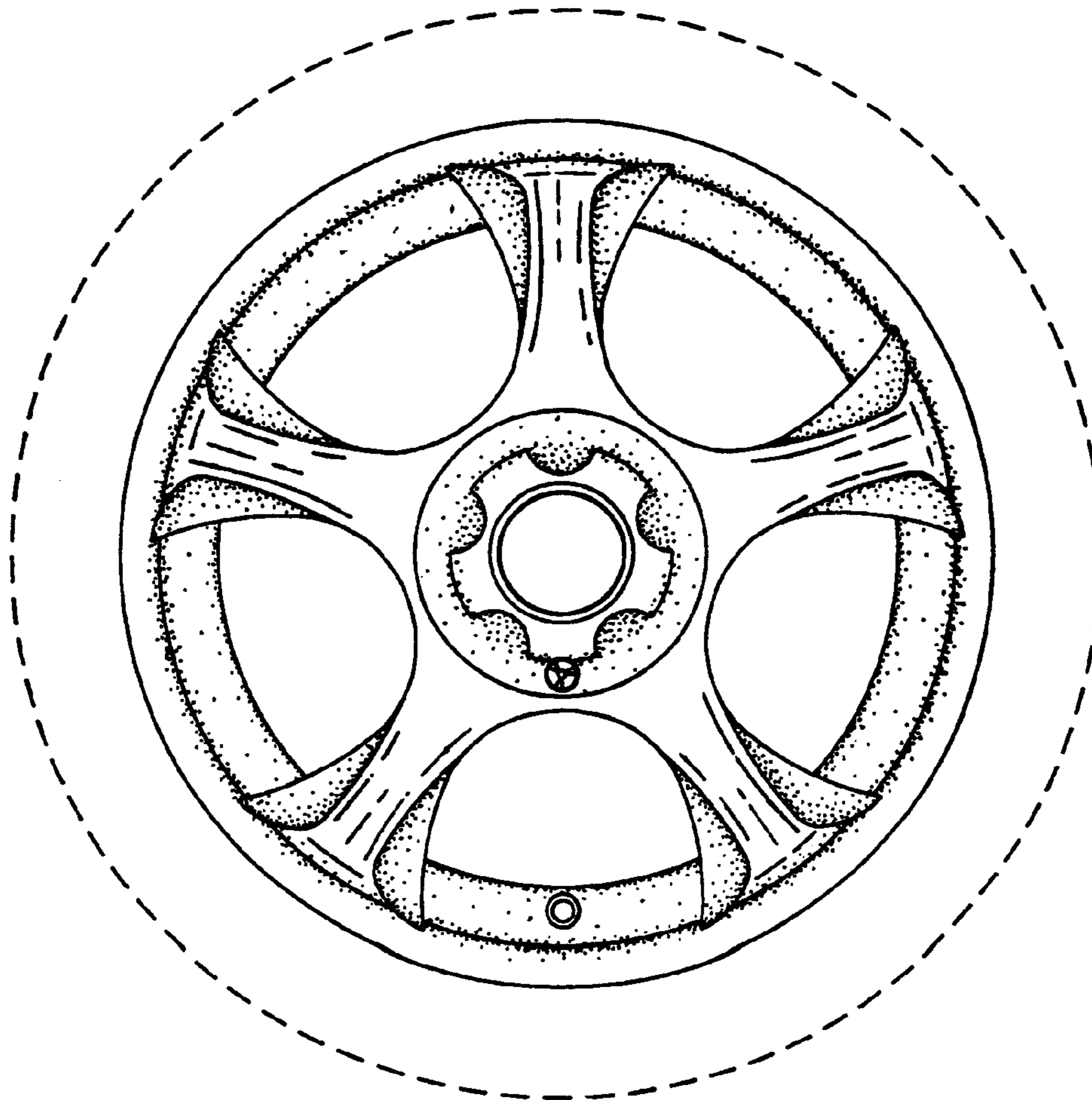


FIG. 1

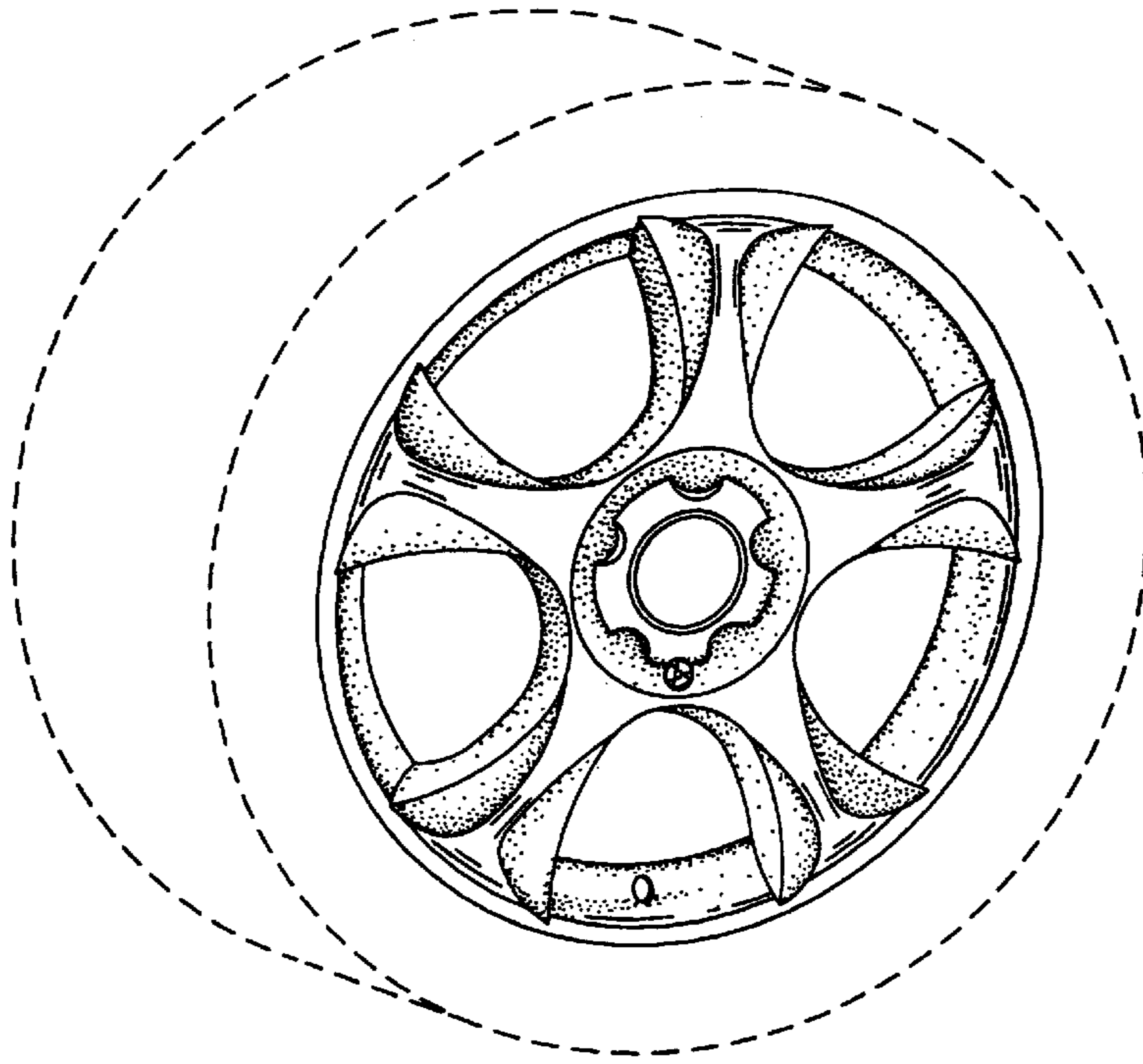


FIG. 2

