



US00D416844S

# United States Patent [19] Neeper

[11] **Patent Number: Des. 416,844**

[45] **Date of Patent: \*\* Nov. 23, 1999**

[54] **FRONT FACE OF A MOTOR VEHICLE WHEEL**

[75] Inventor: **Mark Neeper**, Denver, Colo.

[73] Assignee: **KMC Products, Inc.**, Riverside, Calif.

[\*\*] Term: **14 Years**

[21] Appl. No.: **29/083,756**

[22] Filed: **Feb. 17, 1998**

[51] **LOC (6) Cl.** ..... **12-16**

[52] **U.S. Cl.** ..... **D12/209**

[58] **Field of Search** ..... D12/204-213;  
301/64.1, 65, 37.1

[56] **References Cited**

**U.S. PATENT DOCUMENTS**

|            |         |                  |       |         |
|------------|---------|------------------|-------|---------|
| D. 311,896 | 11/1990 | Mori             | ..... | D12/209 |
| D. 329,416 | 9/1992  | Braungart et al. | ..... | D12/209 |
| D. 351,581 | 10/1994 | Chung            | ..... | D12/209 |
| D. 360,866 | 8/1995  | Echazabal et al. | ..... | D12/209 |
| D. 366,641 | 1/1996  | Neeper           | ..... | D12/209 |
| D. 372,698 | 8/1996  | Mantua           | ..... | D12/209 |
| D. 374,420 | 10/1996 | Neeper           | ..... | D12/209 |
| D. 377,640 | 1/1997  | Neeper           | ..... | D12/209 |
| D. 380,724 | 7/1997  | Brown et al.     | ..... | D12/209 |
| D. 385,842 | 11/1997 | Cullen           | ..... | D12/209 |
| D. 386,740 | 11/1997 | Cullen           | ..... | D12/209 |
| D. 390,822 | 2/1998  | Neeper           | ..... | D12/209 |
| D. 392,930 | 3/1998  | Embrador         | ..... | D12/209 |
| D. 393,442 | 4/1998  | Noriega          | ..... | D12/209 |

**OTHER PUBLICATIONS**

Street Rodder, Sep. 1997, p. 148, Author—Eric Geisert.  
Giovanna Wheels, Distributed by: WTW, Inc., Wholesale  
Tires & Wheels, Whittier, CA 90601 (No Date).  
R4 by Radius Advanced Automotive Technologies, Inc,  
Laguna Hills, CA 92653 (No Date).

Vision Custom Wheels, Decatur, AL 35603 (No Date).  
TSW Alloy Wheels, 1998.  
Luxury Alloy Wheels by Raptor (No Date).  
ALBA Performance Wheels; R Reflections Wheels;  
307-Cyclone; 508-Galaxy; 500-Frontier; and 903 Legacy,  
DM Tech America, Inc. (1998).  
These Wheels are Made for Rollin; Carusi Professional  
Sport Wheels for Cars and Trucks, Corona, CA (No Date).  
ASA Licensed by BBS, The Reinvention of the Wheel.  
Alessio Sport Wheels Promotion (No Date).  
ALBA Visions Series, ALBA Performance Wheels (No  
Date).  
WELD, Forged; Weld Racing, Inc., Kansas City, MO 64101.  
Carusi Line (No Date).  
AUTO, Dec. 1995, Supercar.  
Primo Piano, Salone Di Tokyo (No Date).  
American Racing Custom Wheels, 1997 Collection, Nov. 5,  
1996.  
Custom Wheels Art in Motion 1996, Buena Park, CA 90620.  
Pure Custom Wheels, Riverside, CA 92504, USA (No Date).  
Progressive Custom Wheels, Riverside, CA 92504 (No  
Date).

*Primary Examiner*—Doris V. Coles  
*Assistant Examiner*—Stacia Sinuik  
*Attorney, Agent, or Firm*—Dykema Gossett PLLC

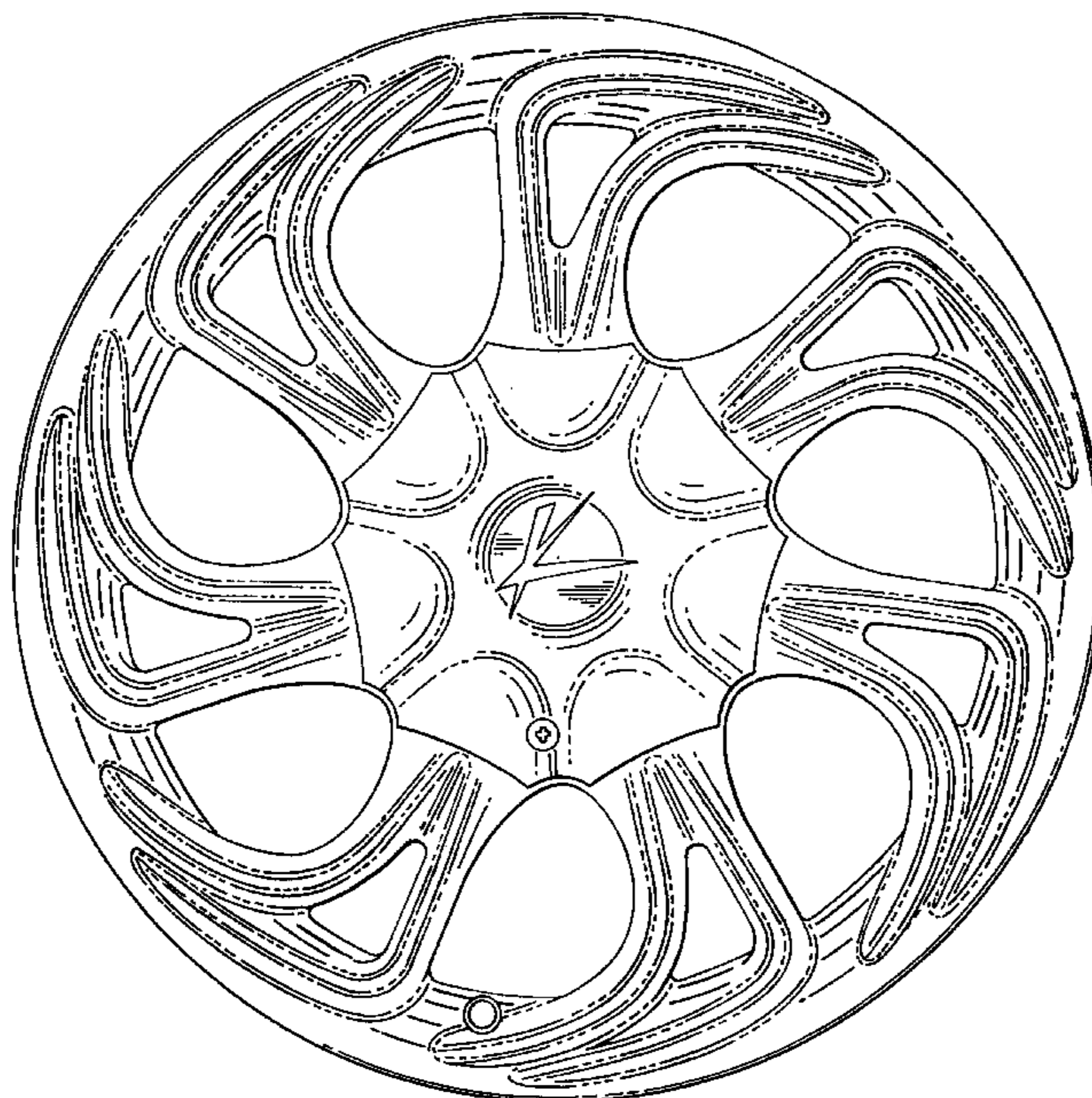
[57] **CLAIM**

The ornamental design for a front face of a motor vehicle wheel, as shown and described.

**DESCRIPTION**

FIG. 1 is a front elevational view of a front face of a motor vehicle wheel, showing my new design; and, FIG. 2 is front perspective view thereof. The broken line showing of environment is for illustrative purposes only and forms no part of the claimed design.

**1 Claim, 2 Drawing Sheets**



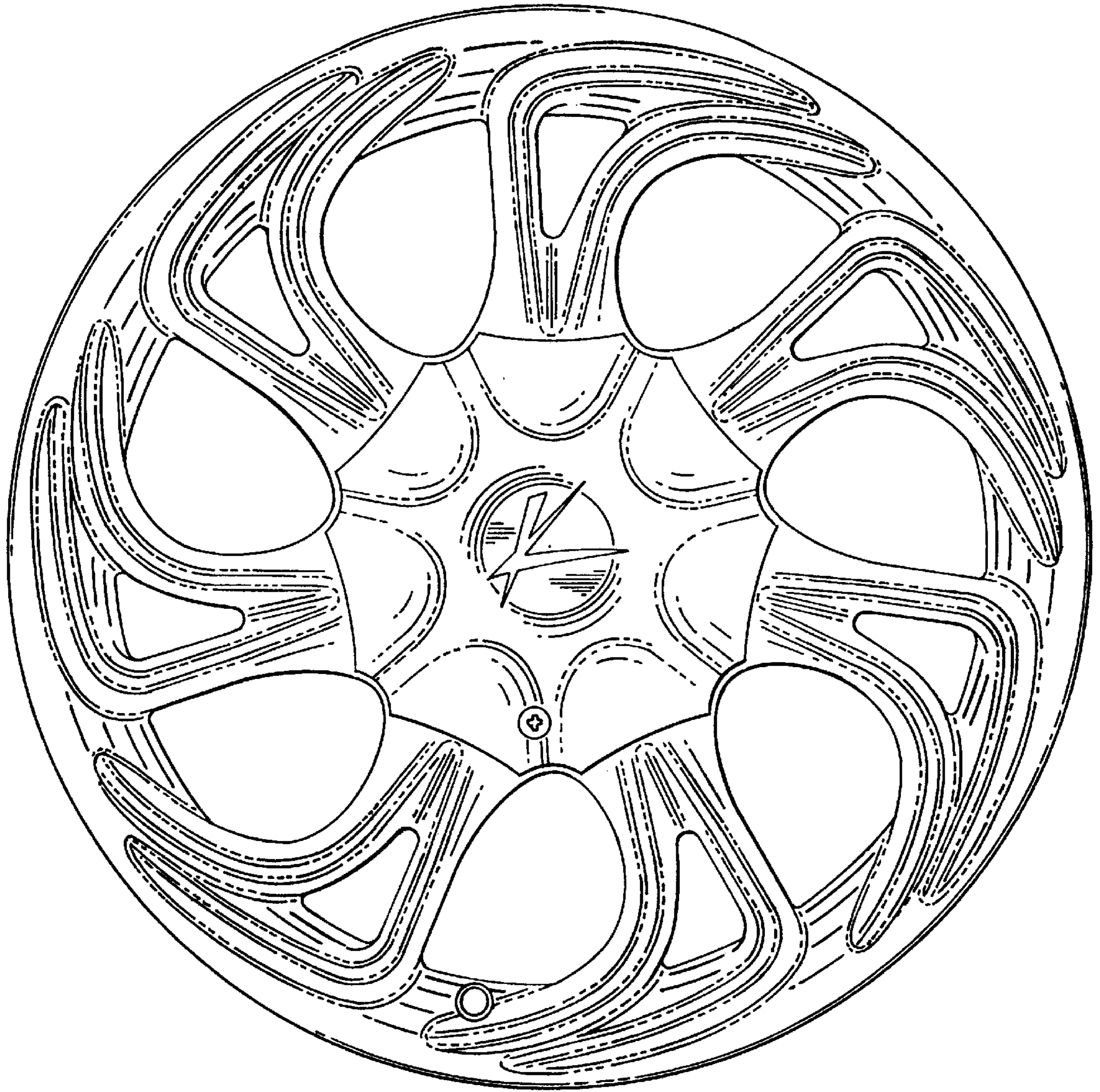


FIG. 1



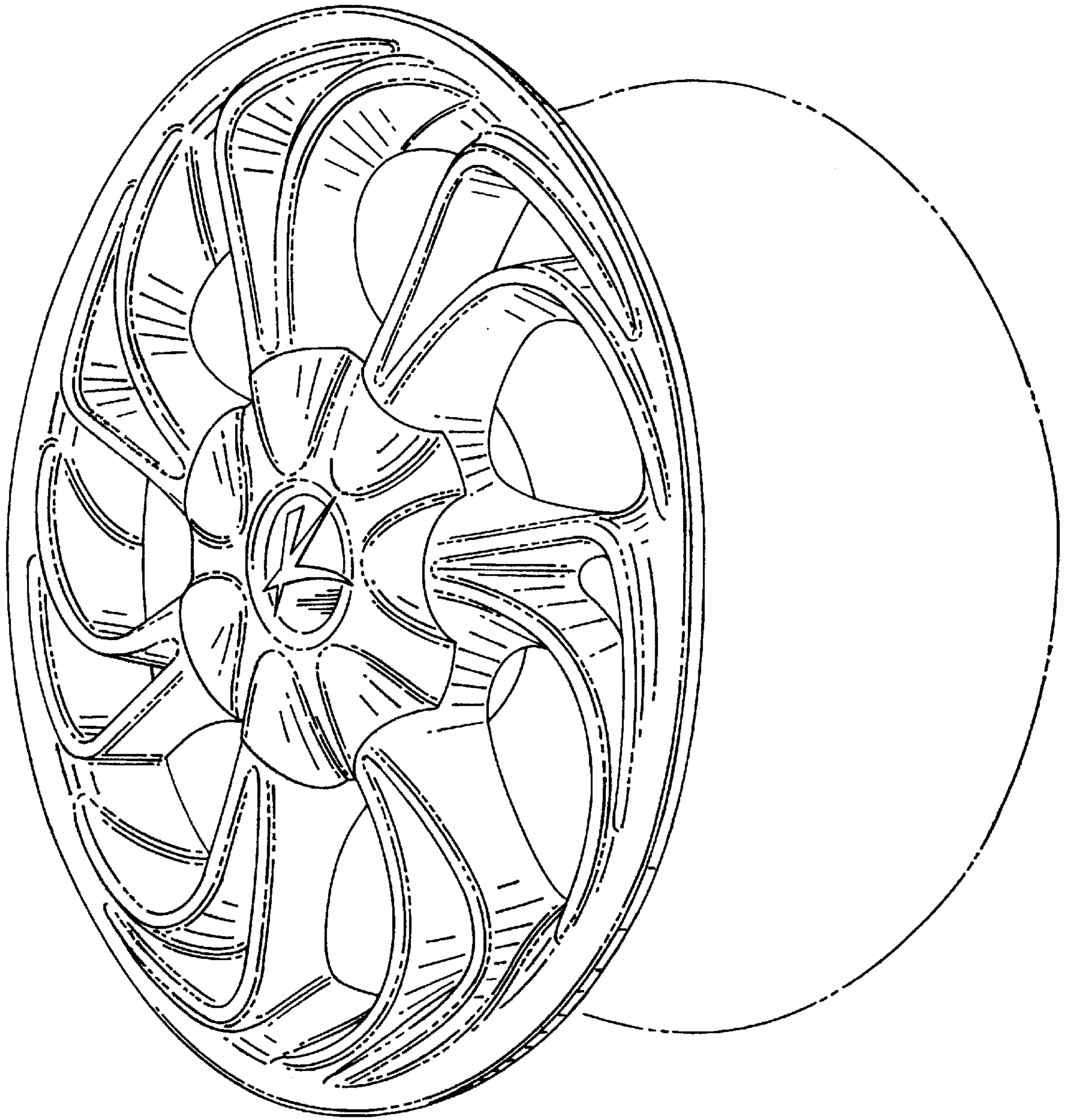


FIG. 2