



US00D416841S

United States Patent [19]
Akana

[11] **Patent Number: Des. 416,841**

[45] **Date of Patent: ** Nov. 23, 1999**

[54] **FRONT PORTION OF A MOTOR VEHICLE**

[75] Inventor: **Satoru Akana**, Hiroshima, Japan

[73] Assignee: **Mazda Motor Corporation**,
Hiroshima-Ken, Japan

[**] Term: **14 Years**

[21] Appl. No.: **29/097,183**

[22] Filed: **Nov. 30, 1998**

[51] **LOC (6) Cl.** **12-16**

[52] **U.S. Cl.** **D12/196; D12/163**

[58] **Field of Search** D12/196, 163,
D12/90-92, 169; 296/185

[56] **References Cited**

U.S. PATENT DOCUMENTS

D. 362,831	10/1995	Minowa et al.	D12/91
D. 373,331	9/1996	Ohkura et al.	D12/91
D. 395,619	6/1998	Cho	D12/91
D. 396,022	7/1998	Kim	D12/92
D. 396,677	8/1998	Sacco et al.	D12/163
D. 400,836	11/1998	Reynard et al.	D12/163
D. 403,285	12/1998	Abalos et al.	D12/163
D. 403,989	1/1999	Honda et al.	D12/91
D. 406,795	3/1999	Maguro et al.	D12/91
D. 407,349	3/1999	Murukami et al.	D12/91

Primary Examiner—Melody N. Brown
Attorney, Agent, or Firm—Sidley & Austin; Hugh A. Abrams

[57] **CLAIM**

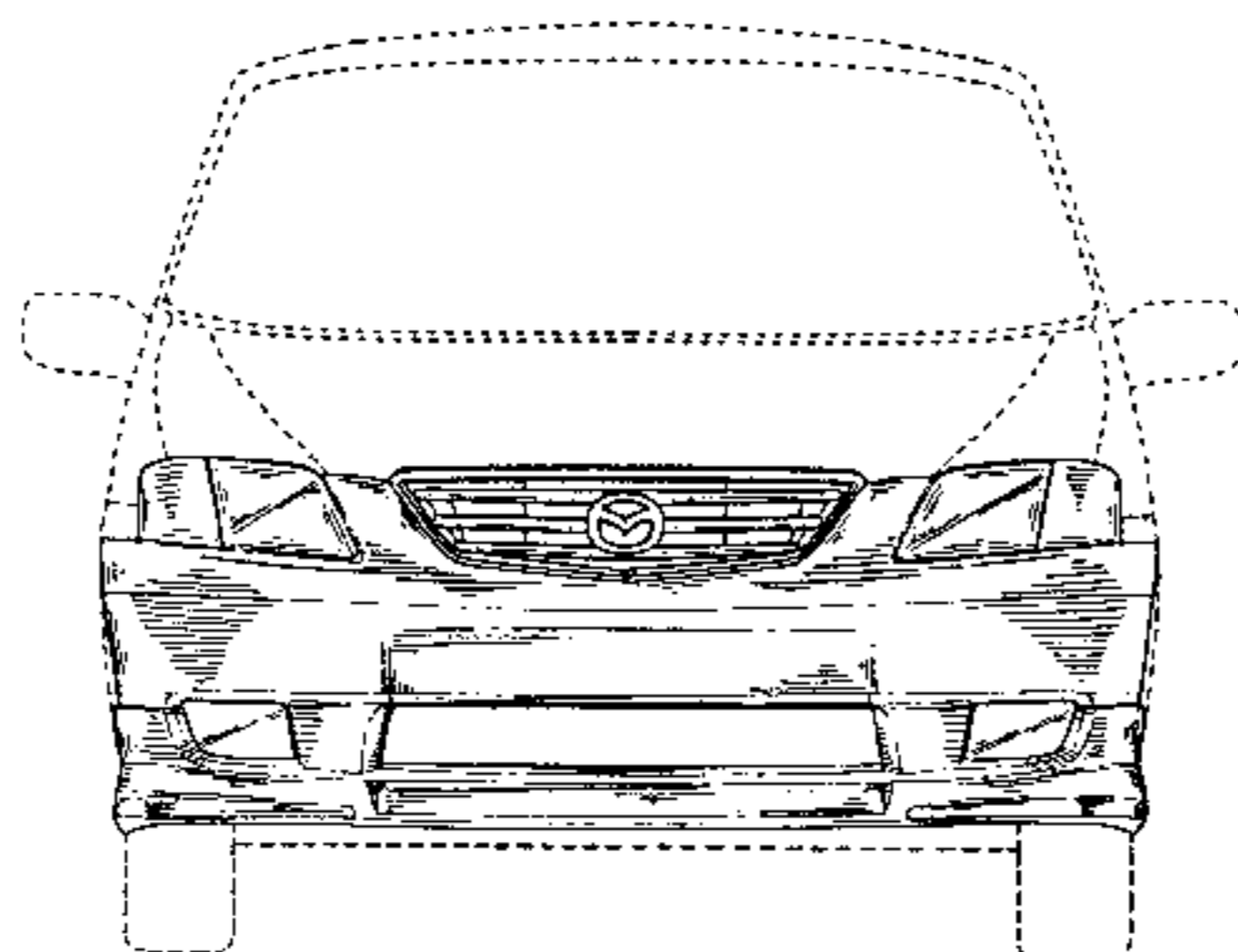
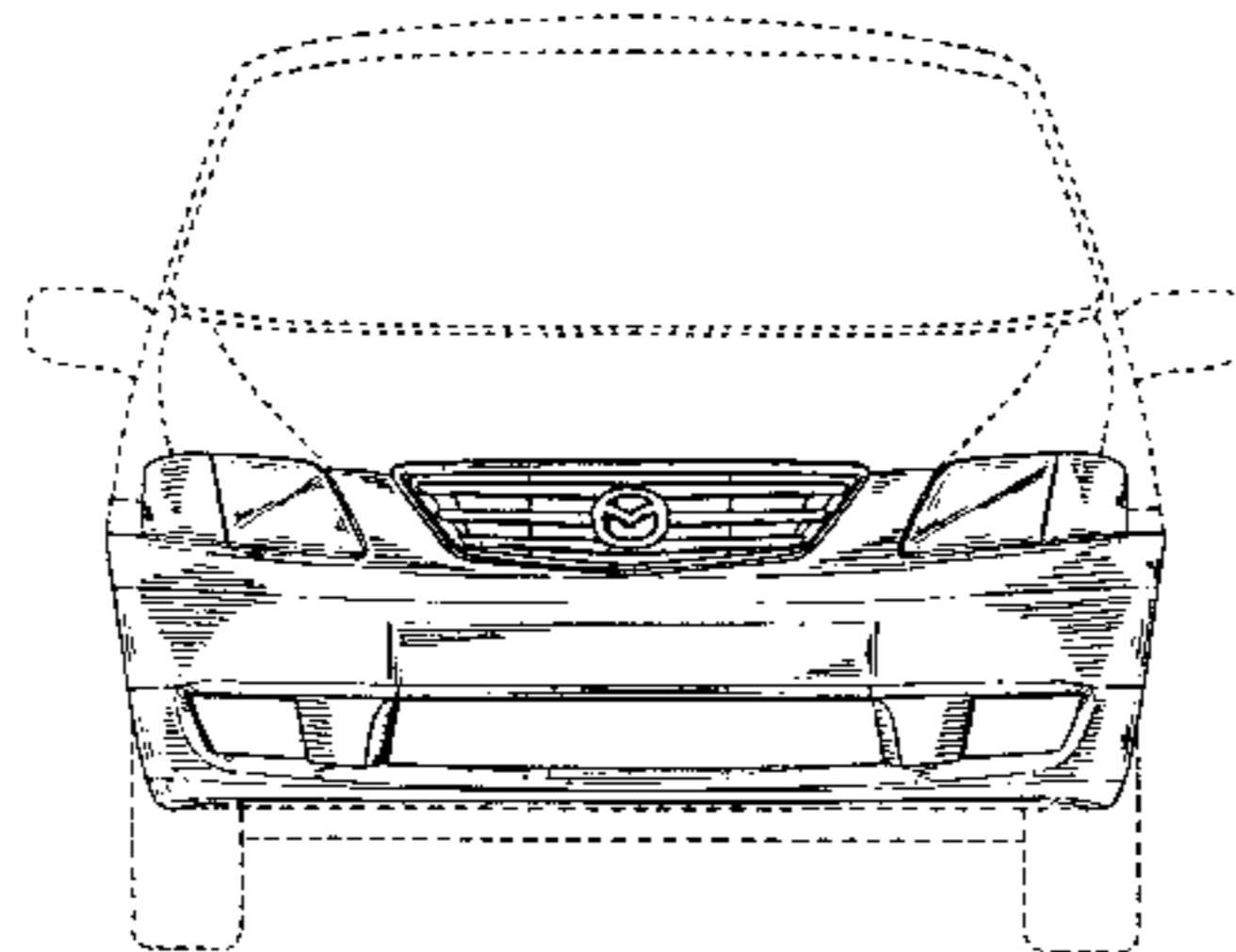
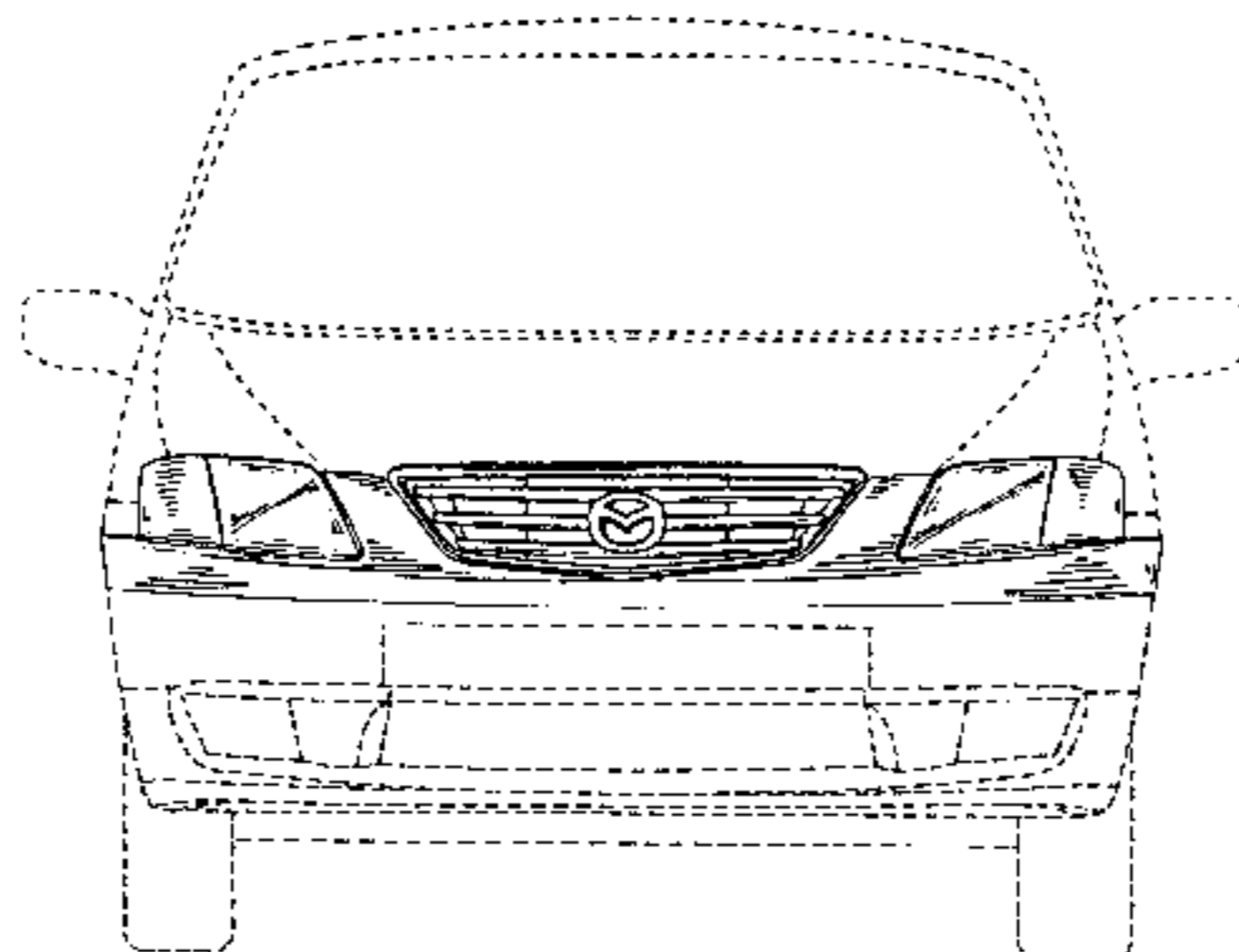
The ornamental design for a front portion of a motor vehicle, as shown and described.

DESCRIPTION

FIG. 1 is a perspective view of a front portion of a motor vehicle showing a first embodiment of my new design; FIG. 2 is a front view thereof; FIG. 3 is a rear view thereof; FIG. 4 is a right side view thereof; FIG. 5 is a left side view thereof; FIG. 6 is a top view thereof; FIG. 7 is a perspective view of a front portion showing a second embodiment of my new design; FIG. 8 is a front view thereof; FIG. 9 is a rear view thereof; FIG. 10 is a right side view thereof; FIG. 11 is a left side view thereof; FIG. 12 is a top view thereof; FIG. 13 is a perspective view of a front portion showing a third embodiment of my new design; FIG. 14 is a front view thereof; FIG. 15 is a rear view thereof; FIG. 16 is a right side view thereof; FIG. 17 is a left side view thereof; and, FIG. 18 is a top view thereof.

The portion of the motor vehicle shown in broken lines is for illustrative purpose only and forms no part of the claimed design.

1 Claim, 15 Drawing Sheets



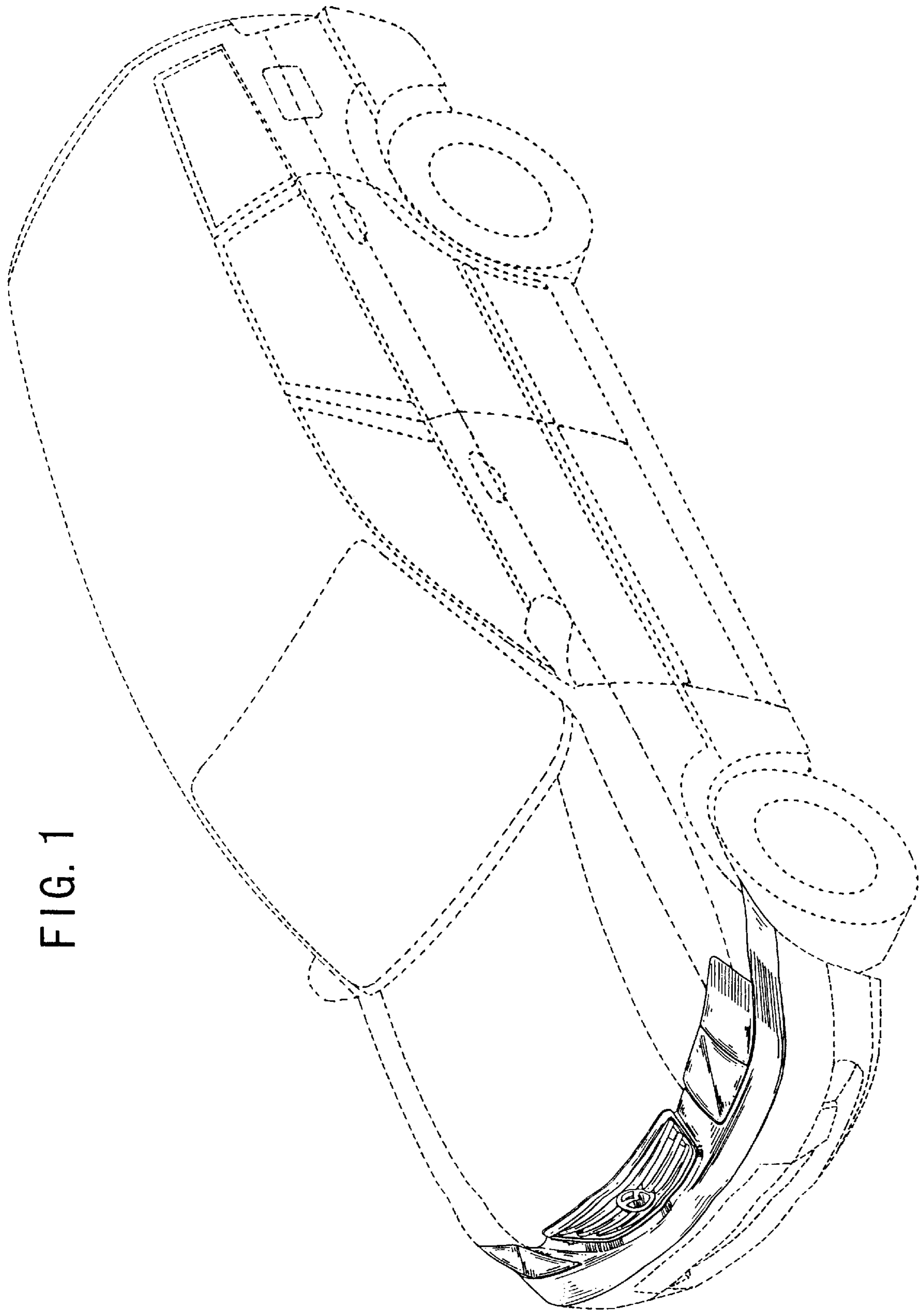


FIG. 1

FIG. 2

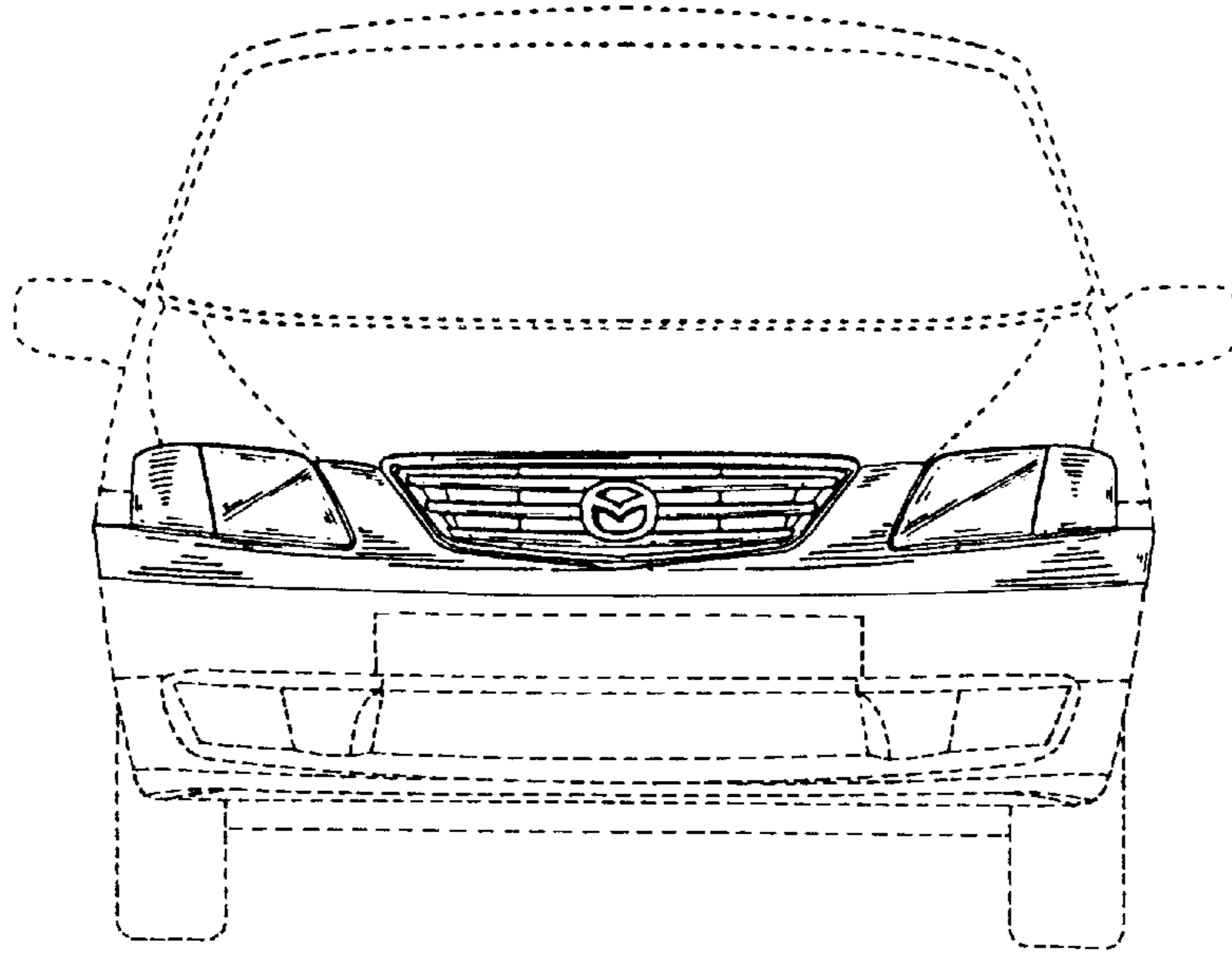


FIG. 3

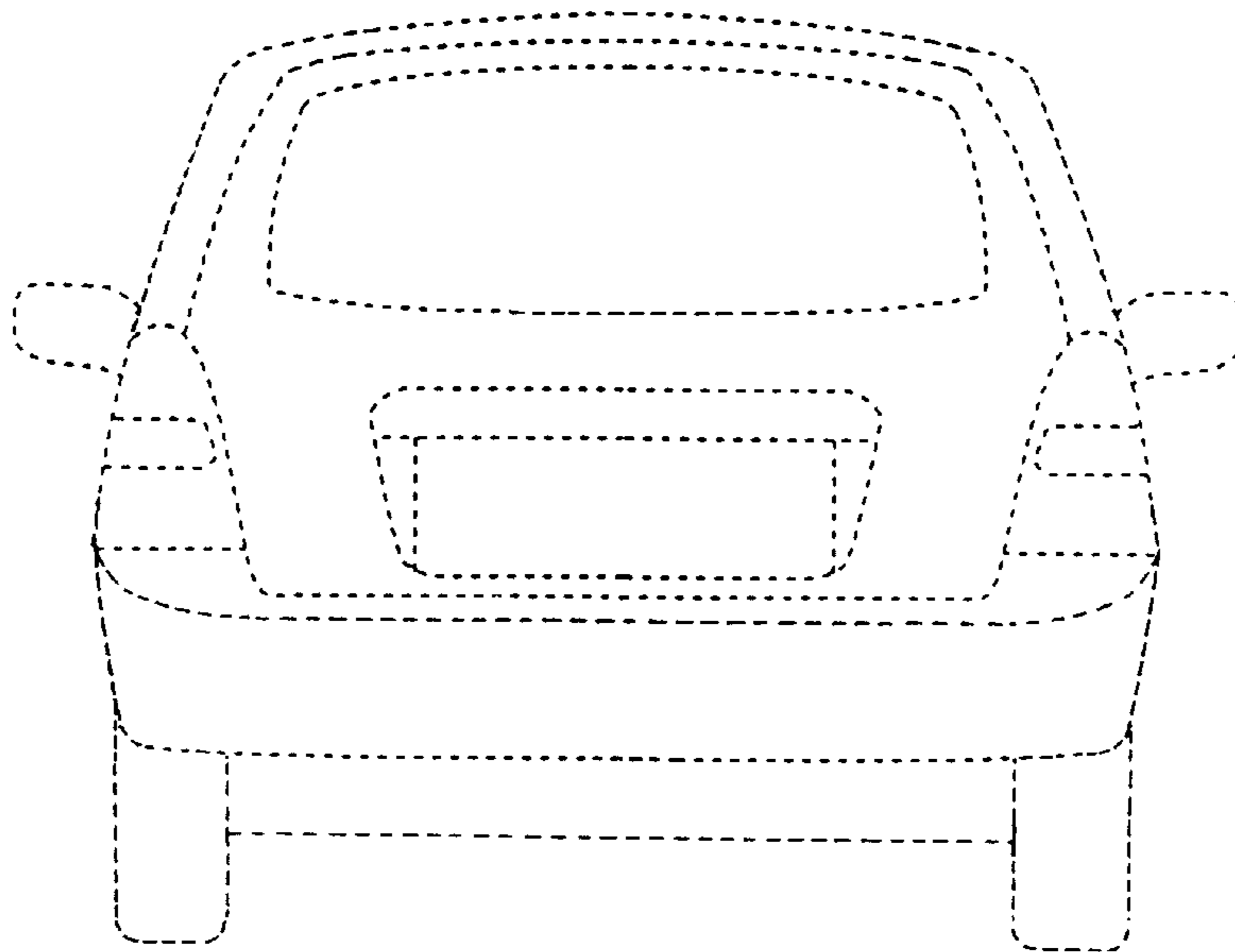


FIG. 4

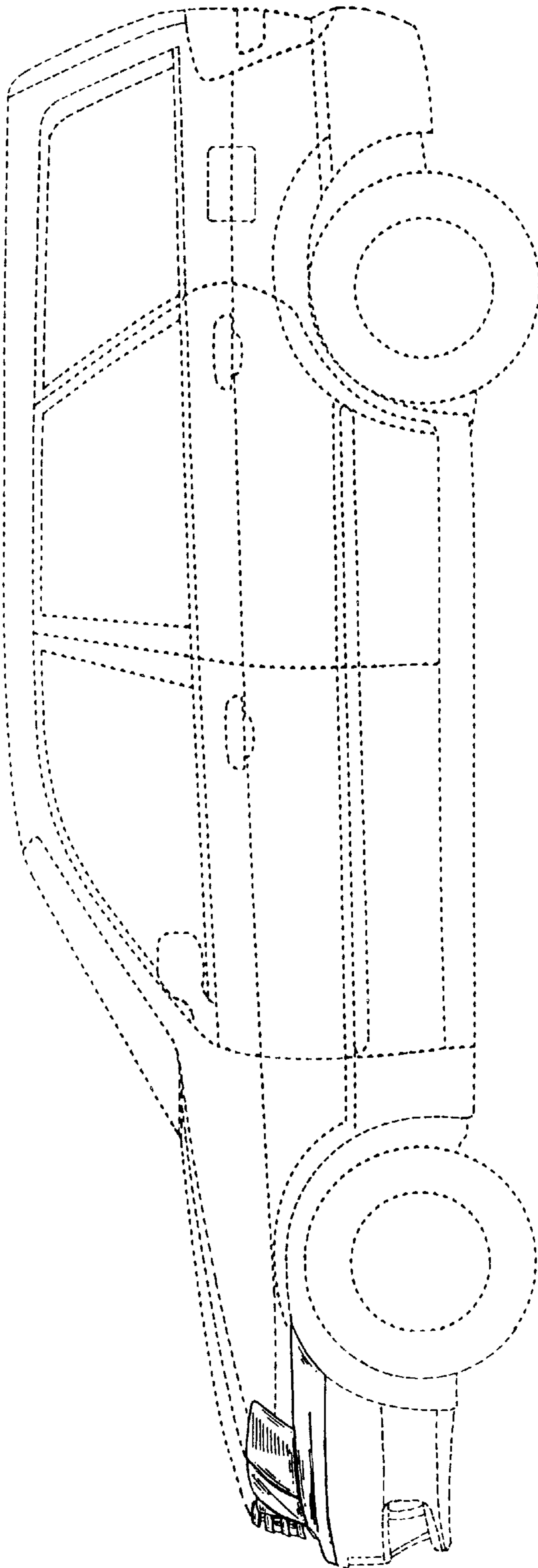


FIG. 5

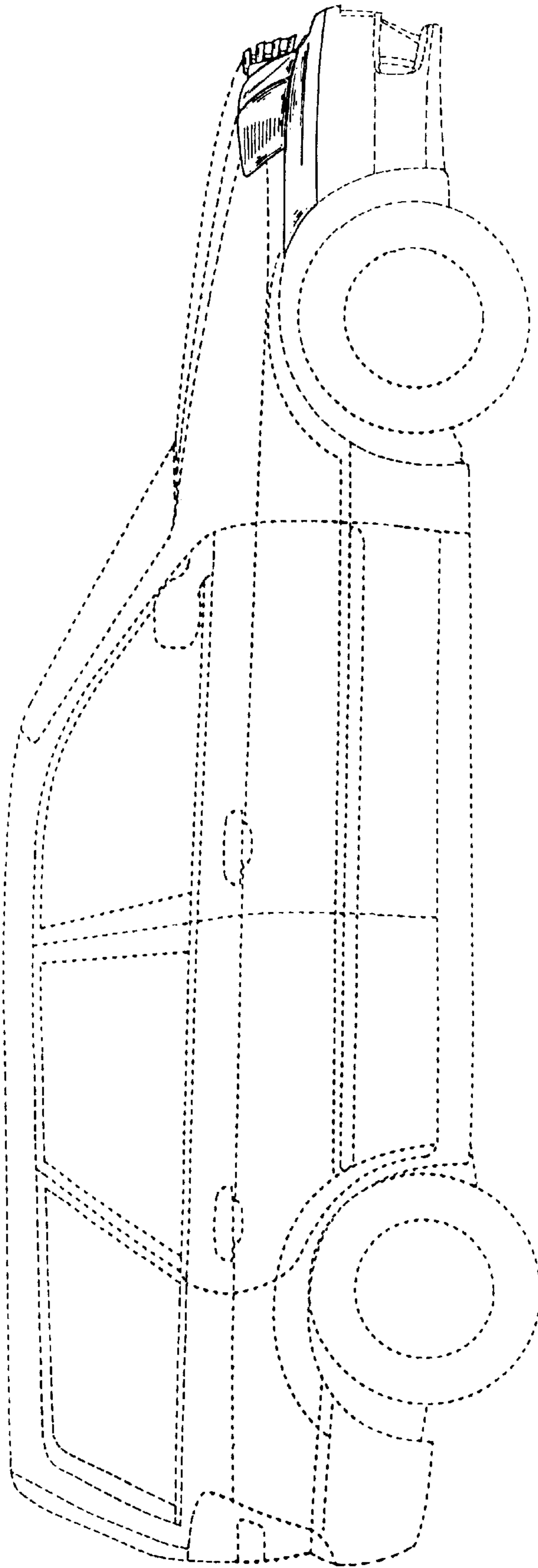
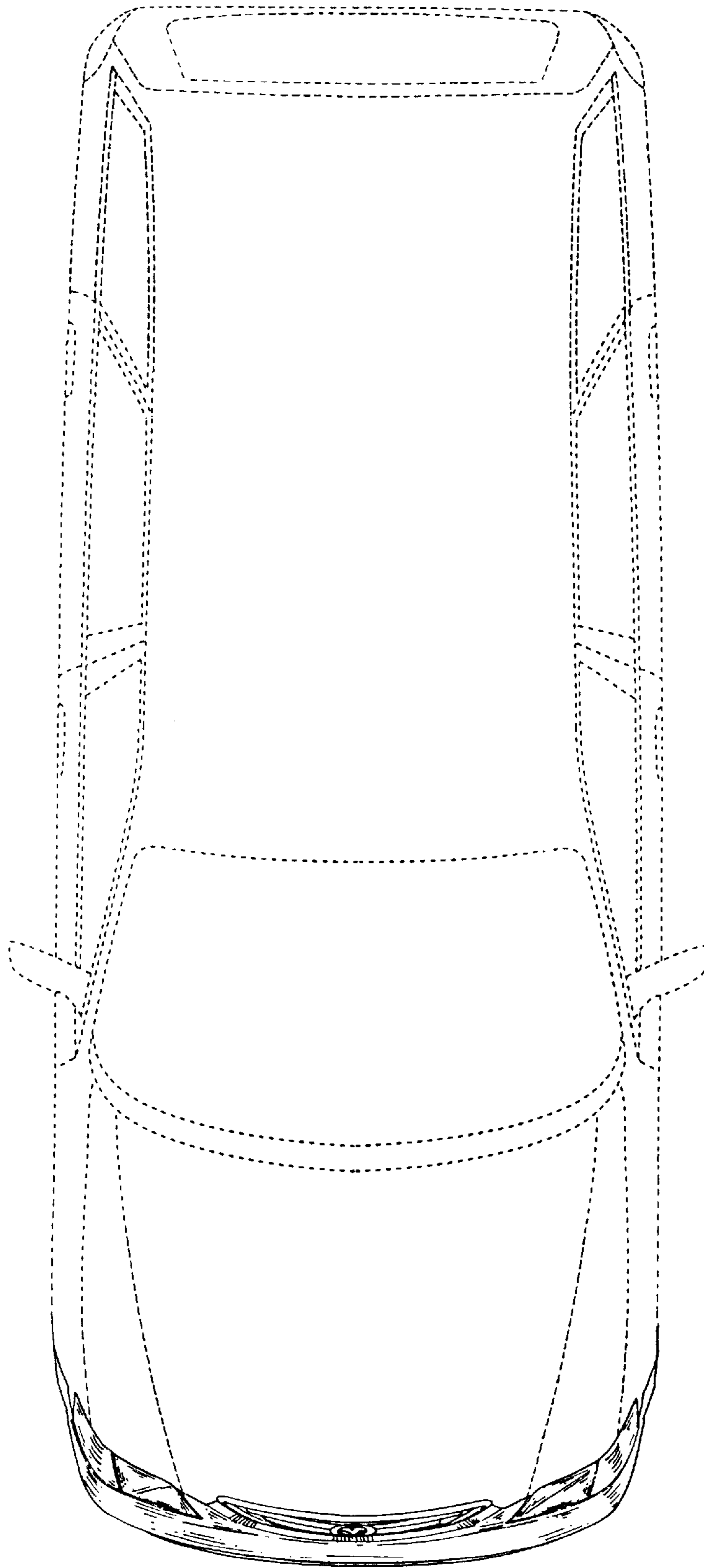


FIG. 6



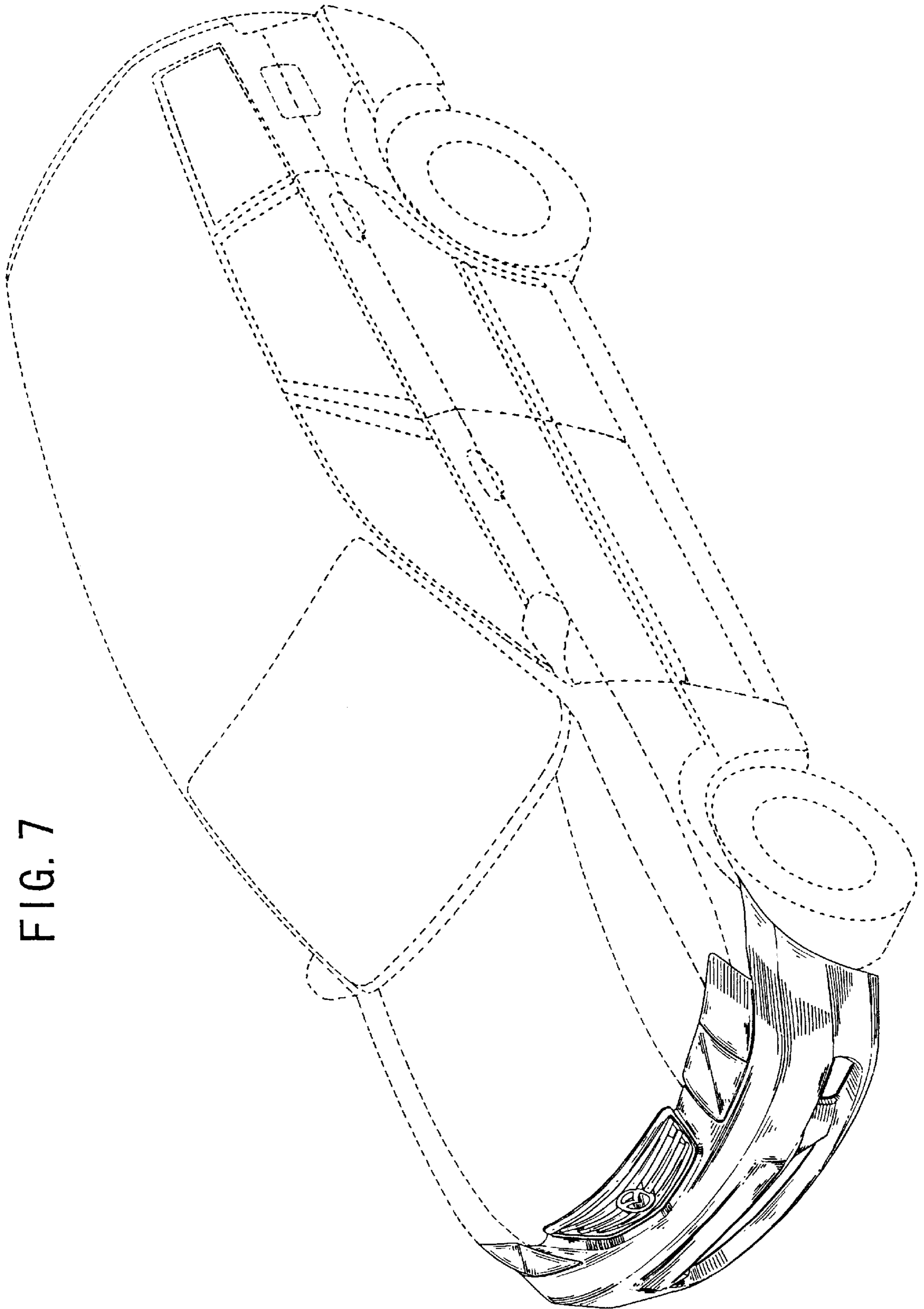


FIG. 7

FIG. 8

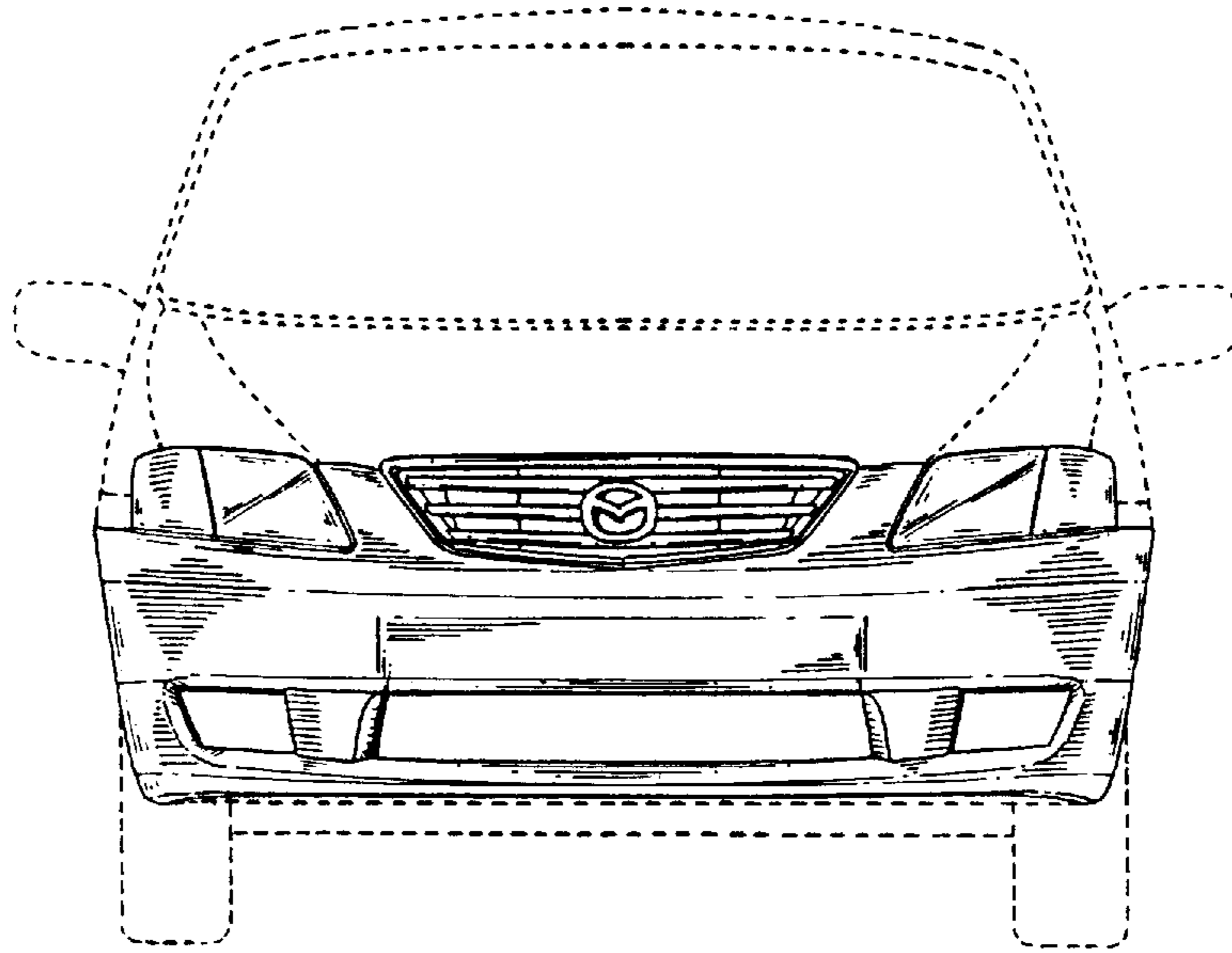


FIG. 9

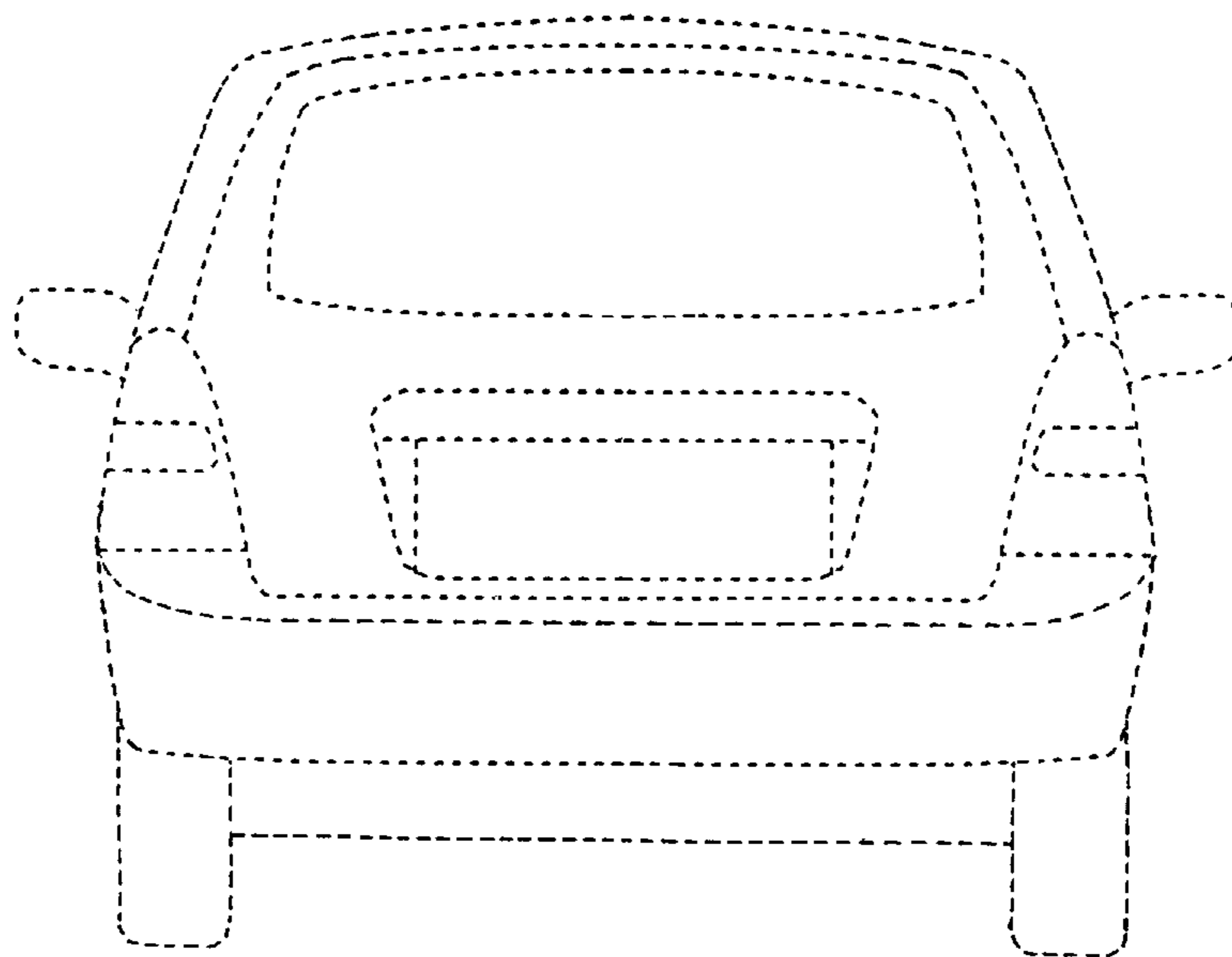


FIG. 10

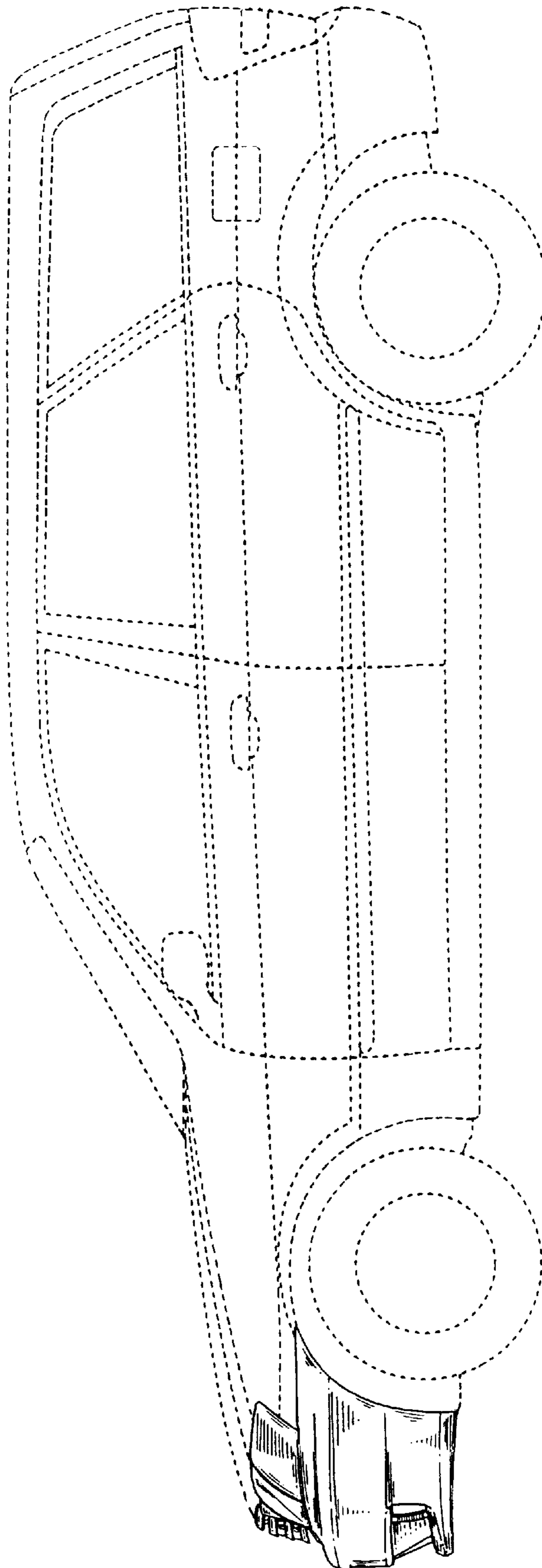


FIG. 11

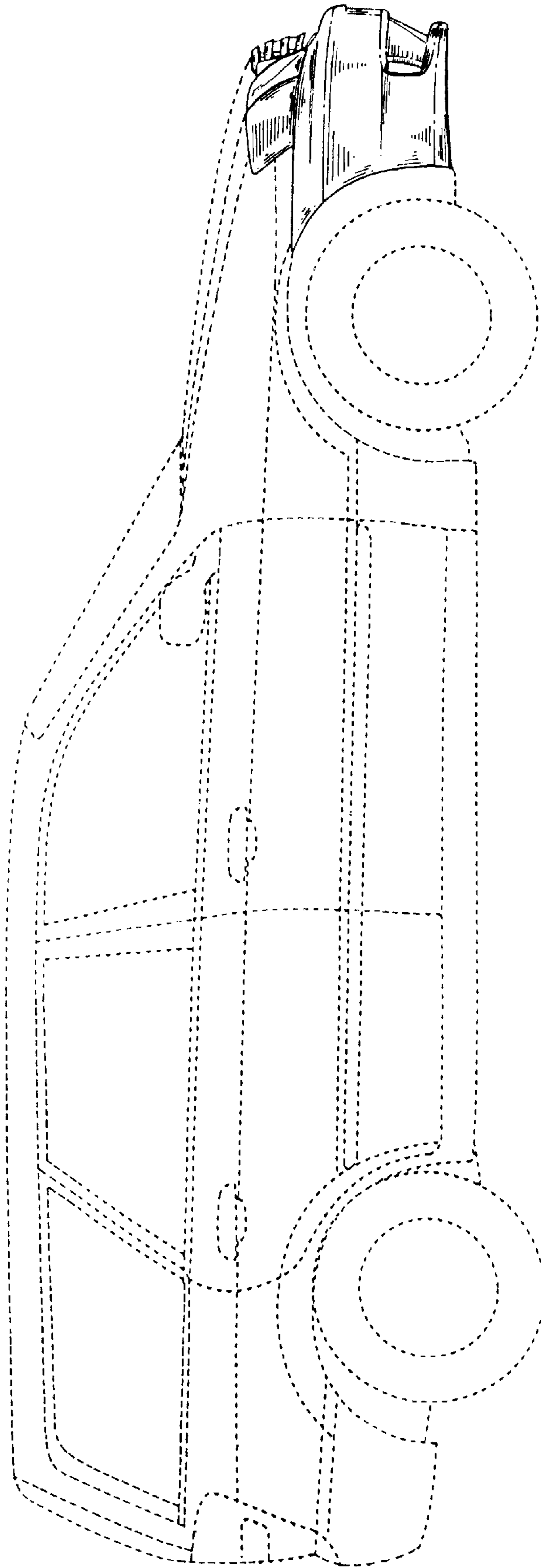


FIG. 12

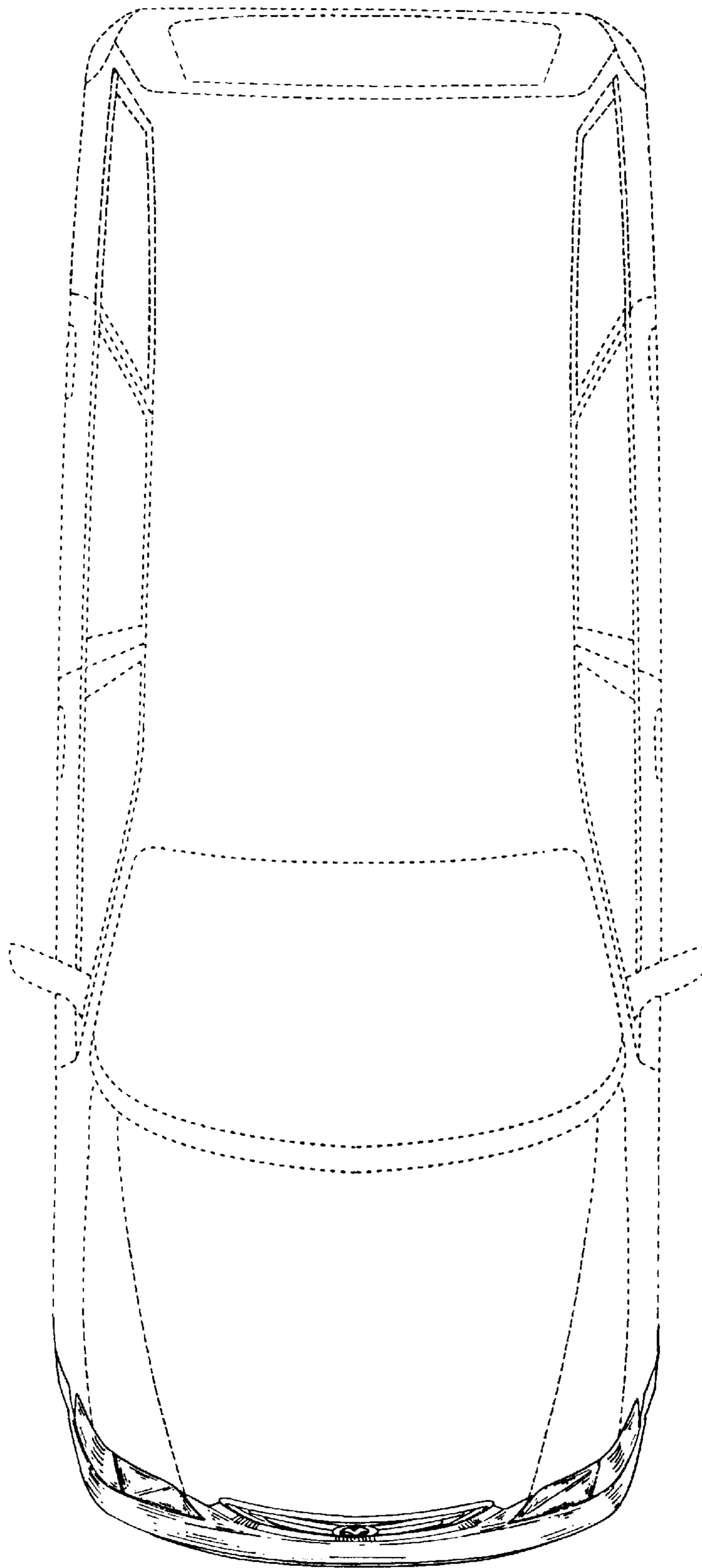


FIG. 13

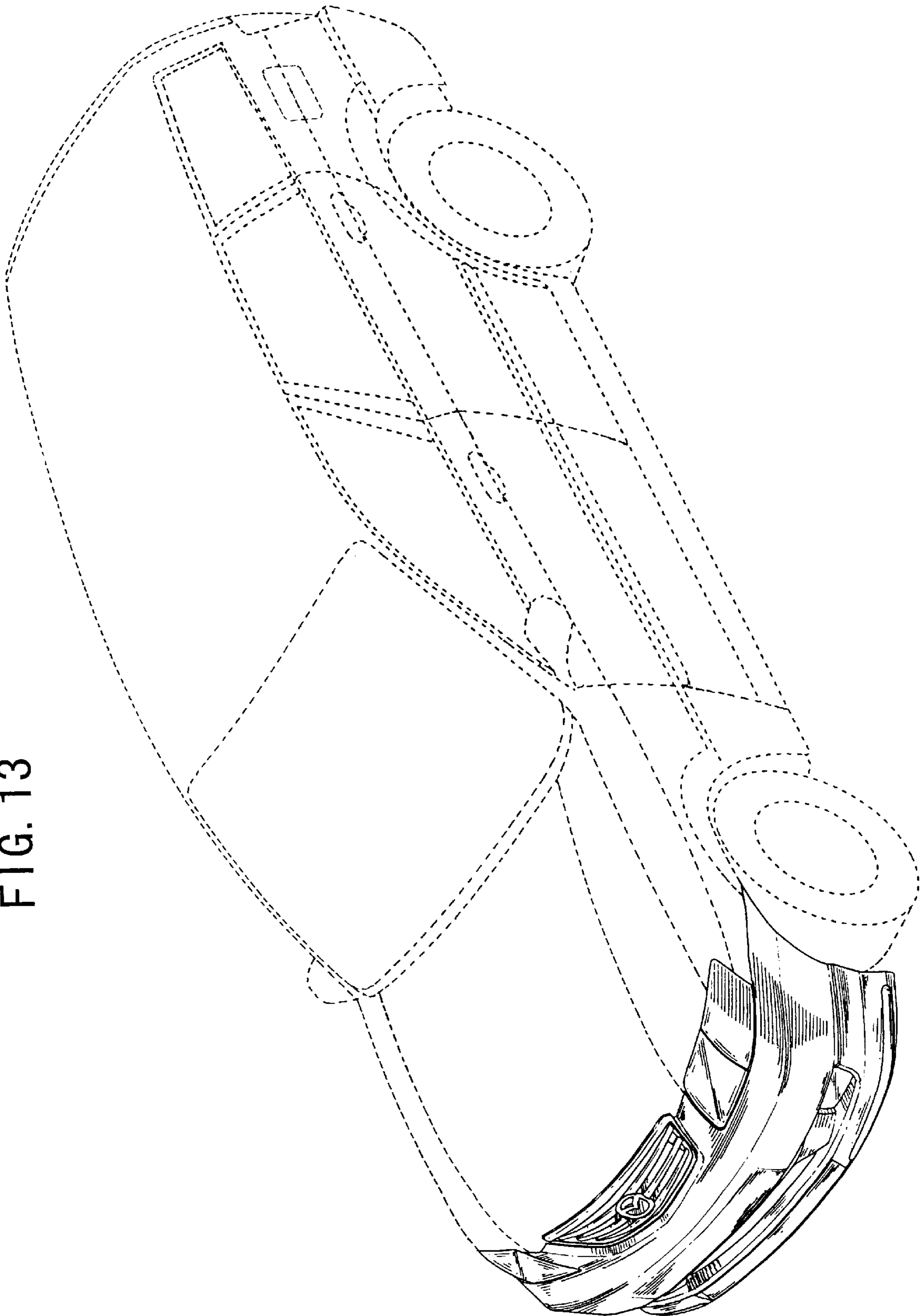


FIG. 14

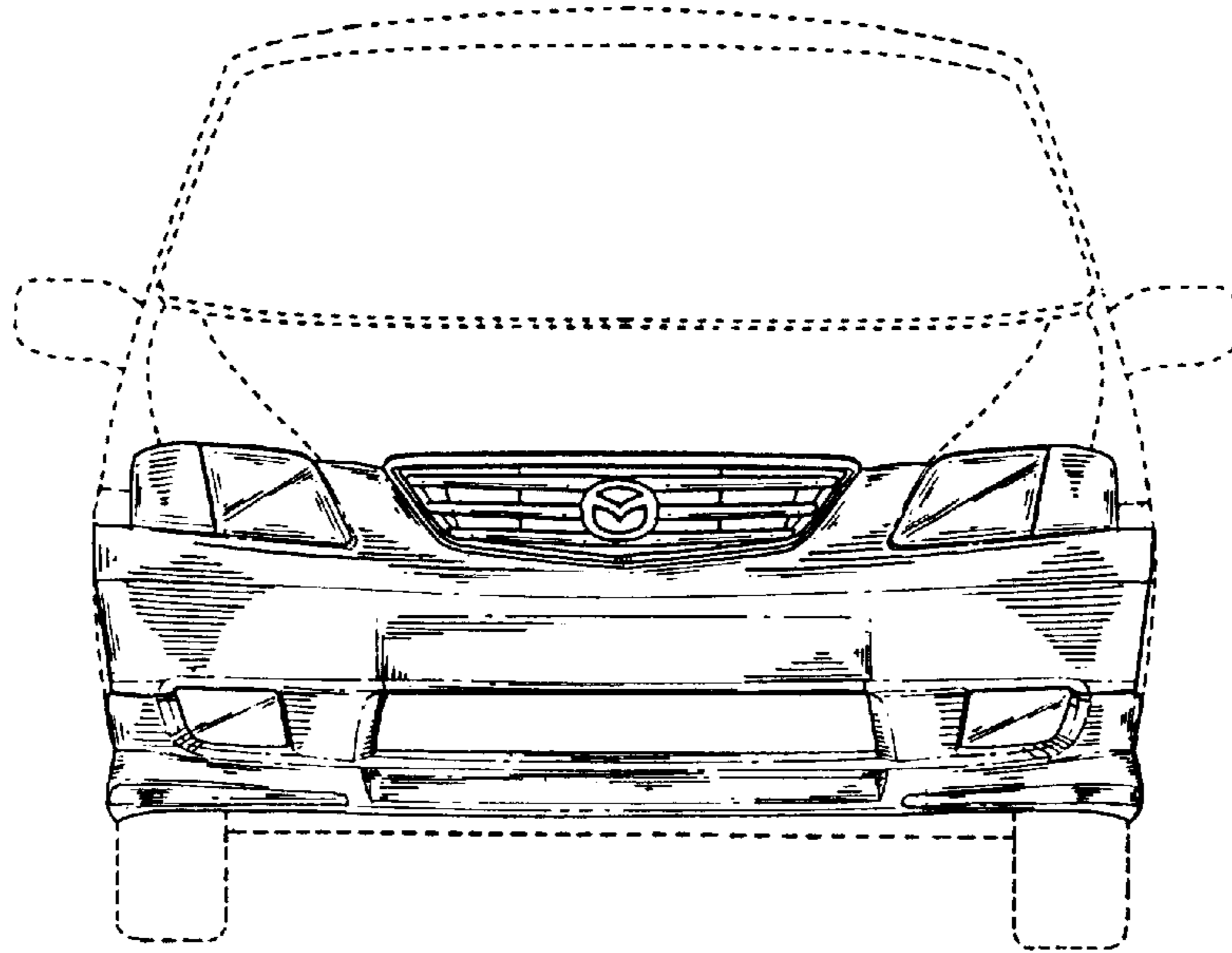


FIG. 15

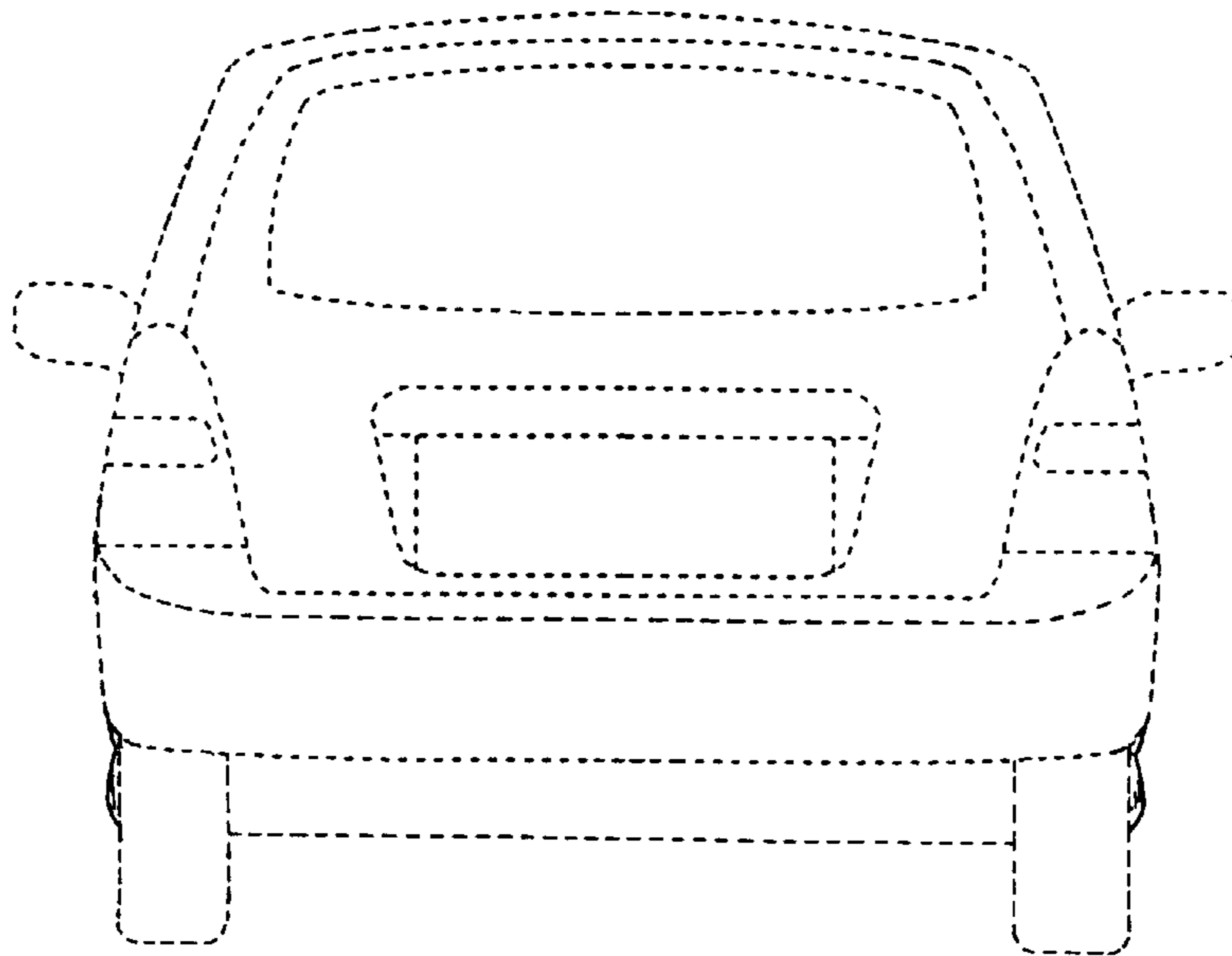


FIG. 16

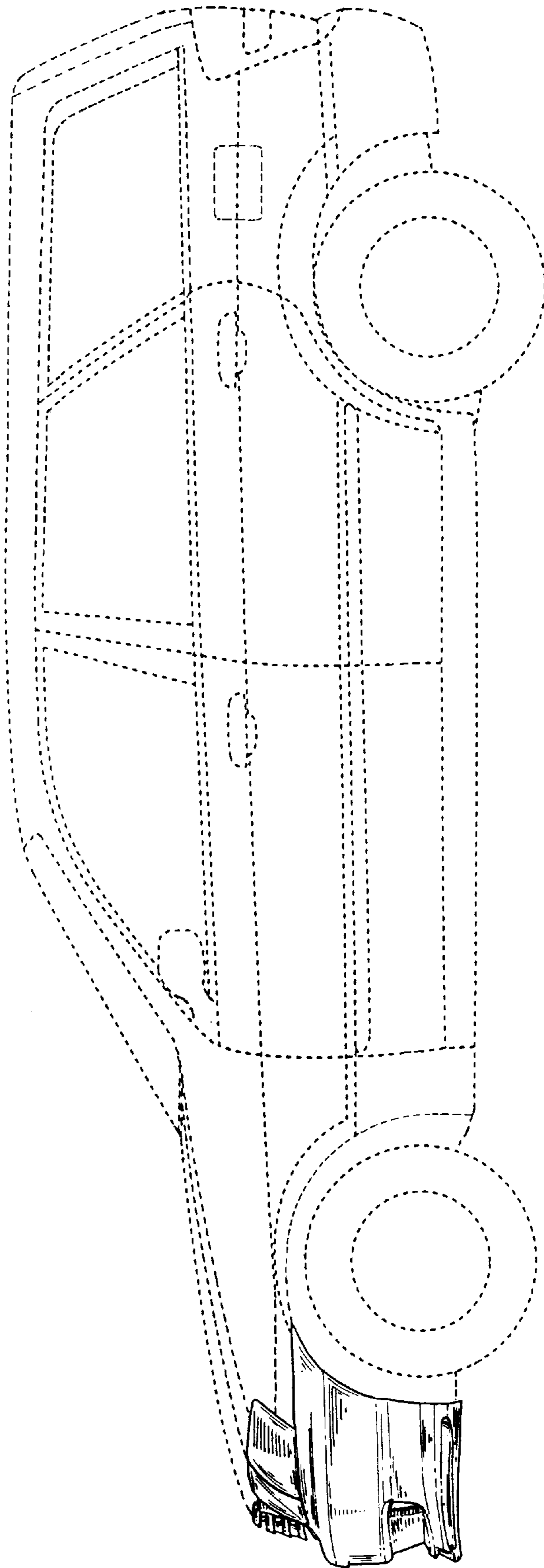


FIG. 17

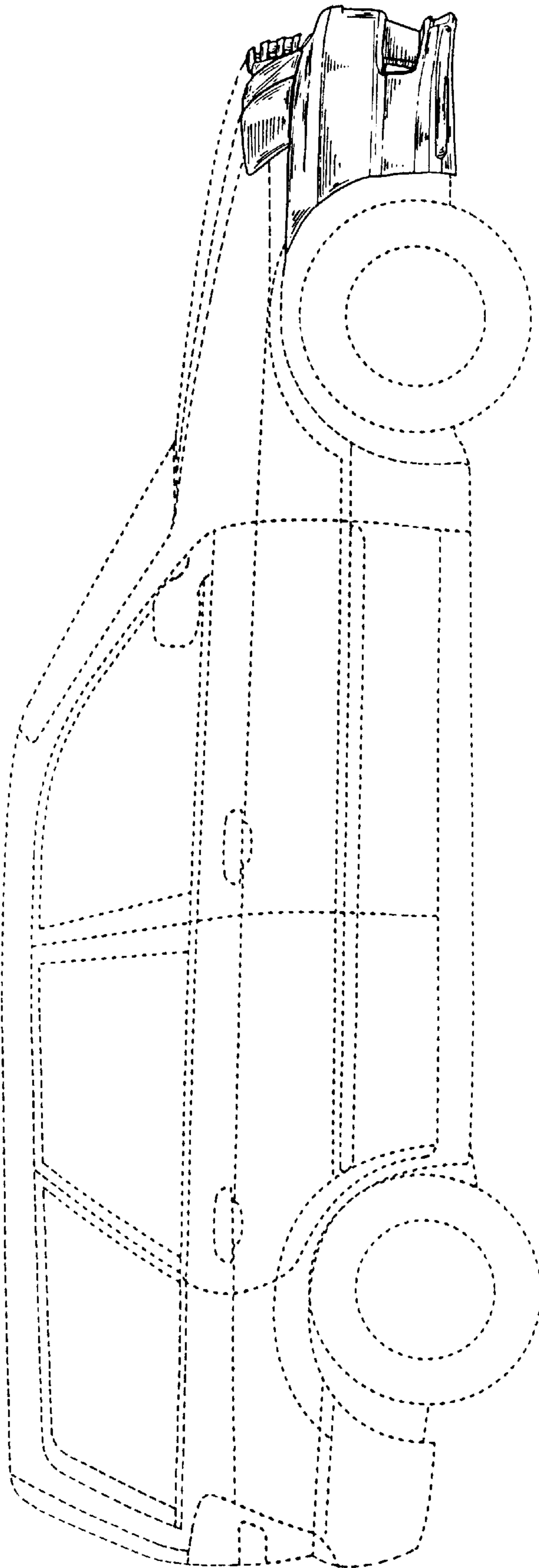


FIG. 18

