



US00D416840S

**United States Patent** [19]  
**Gabath**

[11] **Patent Number: Des. 416,840**

[45] **Date of Patent: \*\* Nov. 23, 1999**

[54] **SURFACE CONFIGURATION OF A REAR PANEL FOR A VEHICLE**

[75] Inventor: **Peter Gabath**, Starnberg, Germany

[73] Assignee: **Bayerische Motoren Werke Aktiengesellschaft**, Munich, Germany

[\*\*] Term: **14 Years**

[21] Appl. No.: **29/097,533**

[22] Filed: **Dec. 9, 1998**

[30] **Foreign Application Priority Data**

Jun. 10, 1998 [DE] Germany ..... 98 05 818

[51] **LOC (6) Cl.** ..... **12-16**

[52] **U.S. Cl.** ..... **D12/169**

[58] **Field of Search** ..... D12/169, 167; 293/102, 113, 115, 120; 296/180.1, 180.2

[56] **References Cited**

**U.S. PATENT DOCUMENTS**

- D. 327,242 6/1992 Falik et al. .... D12/169
- D. 360,865 8/1995 Hanson ..... D12/169
- D. 367,028 2/1996 Fairweather ..... D12/169
- D. 374,201 10/1996 Nagashewa ..... D12/169

*Primary Examiner*—Melody N. Brown  
*Attorney, Agent, or Firm*—Evenson, McKeown, Edwards & Lenahan, P.L.L.C.

[57] **CLAIM**

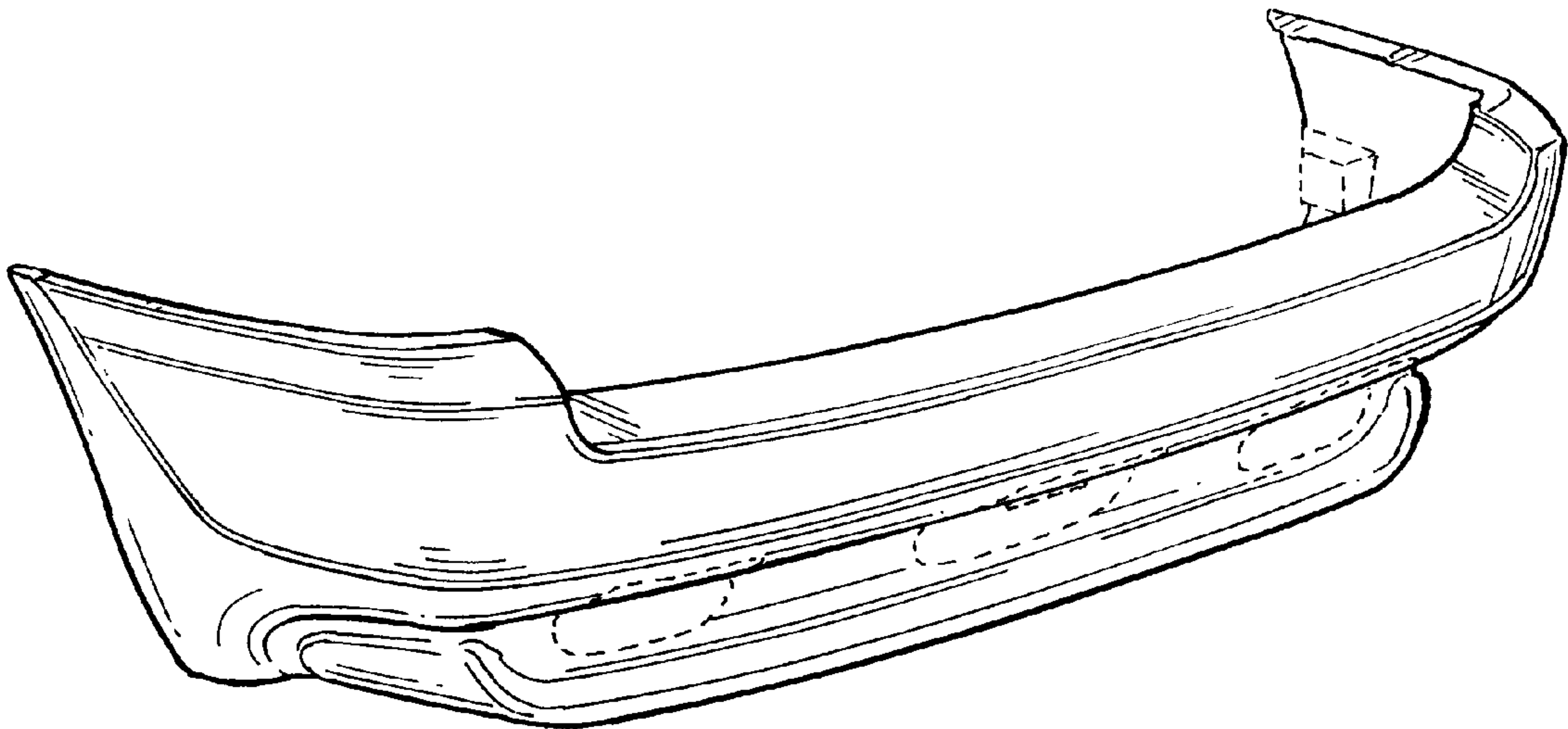
The ornamental design for a surface configuration of a rear panel for a vehicle, as shown and described.

**DESCRIPTION**

FIG. 1 is a front view of a surface configuration of a rear panel for a vehicle according to my novel design;  
 FIG. 2 is a left side view of a surface configuration of a rear panel for a vehicle according to my novel design, the right side view being mirror symmetrical;  
 FIG. 3 is a top view of a surface configuration of a rear panel for a vehicle according to my novel design;  
 FIG. 4 is a bottom view of a surface configuration of a rear panel for a vehicle according to my novel design; and,  
 FIG. 5 is a perspective view from the front left of a surface configuration for a rear panel of a vehicle according to my novel design, the perspective view from the front right being mirror symmetrical.

The broken lines shown in all drawing views are for illustrative purposes only and form no part of the claimed design.

**1 Claim, 2 Drawing Sheets**



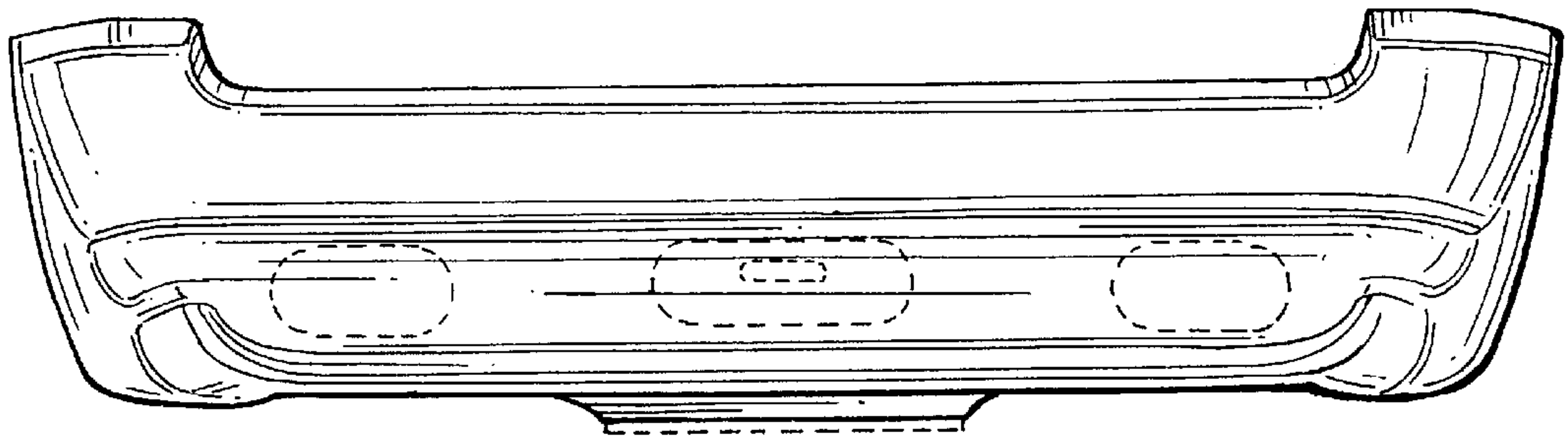


FIG. 1

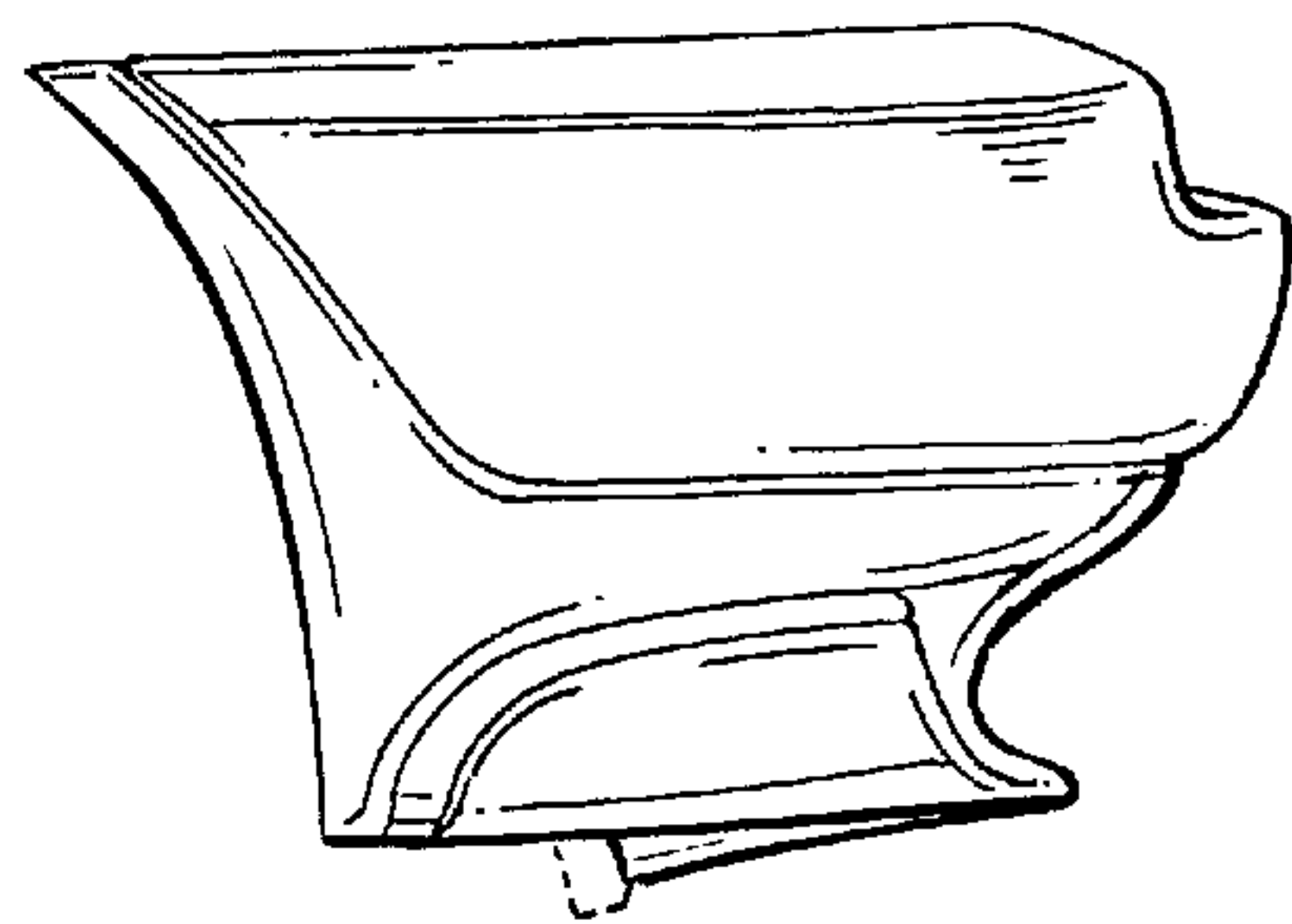


FIG. 2

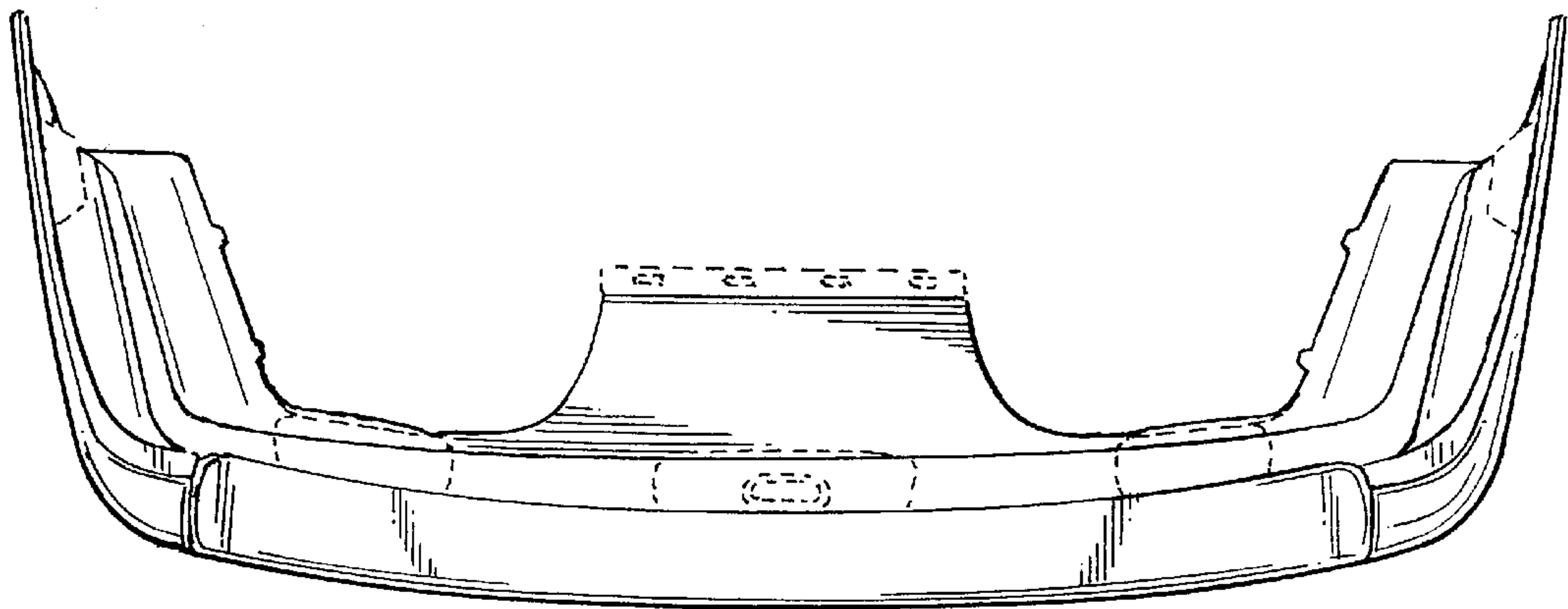


FIG. 3

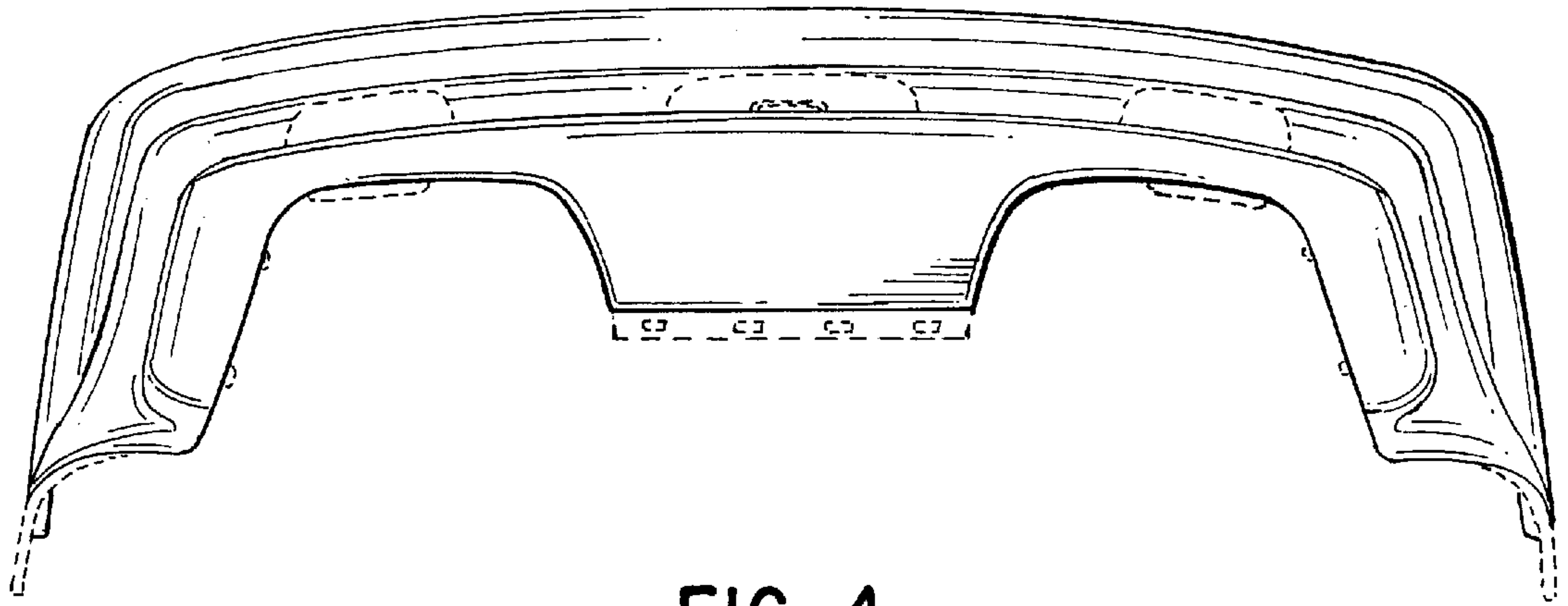


FIG. 4

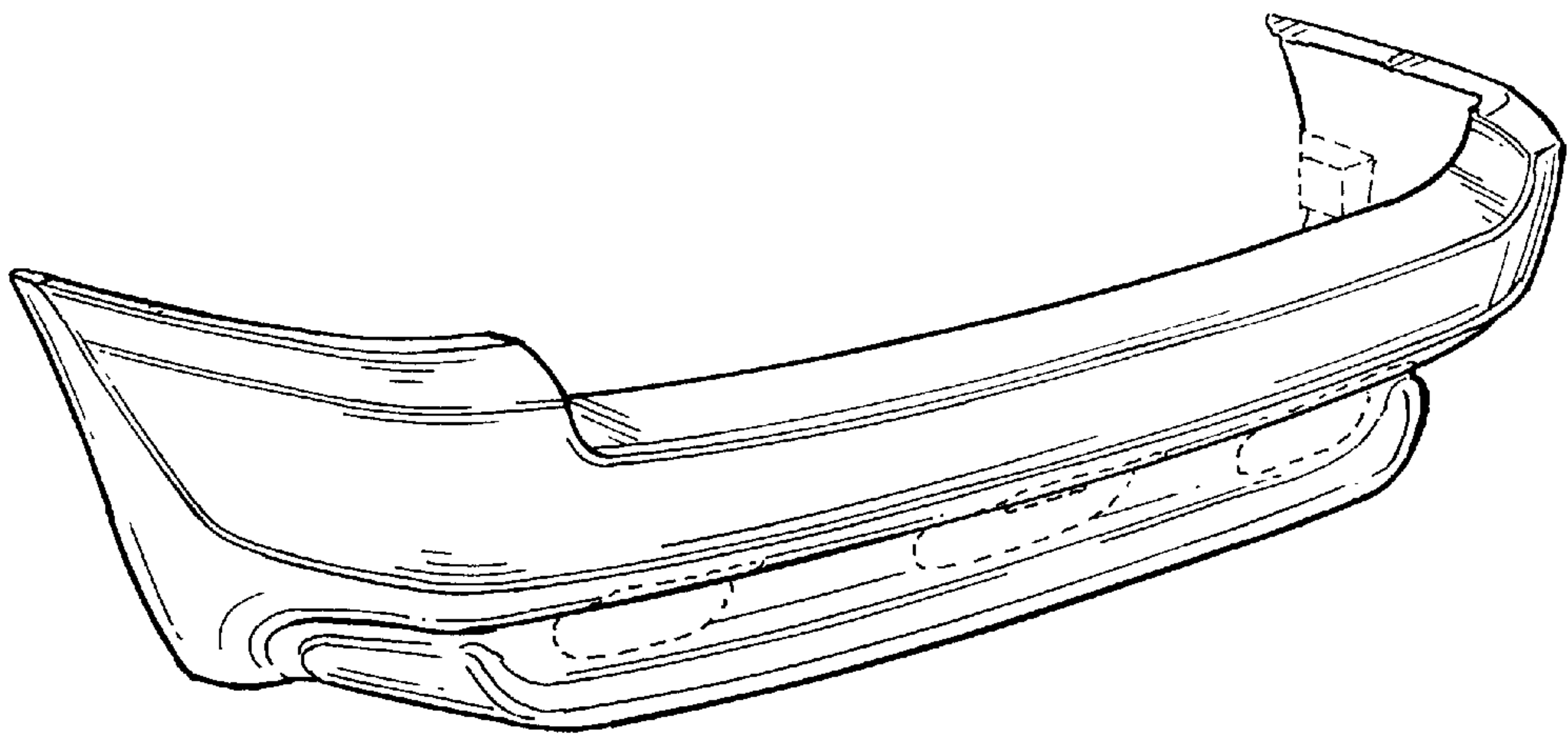


FIG. 5