



US00D416833S

United States Patent [19]

Weber et al.

[11] Patent Number: **Des. 416,833**

[45] Date of Patent: **** Nov. 23, 1999**

[54] **TIRE TREAD**

D. 386,456 11/1997 Yukawa D12/147
D. 389,793 1/1998 Murata D12/147

[75] Inventors: **Michael Joseph Weber**, Mogadore, Ohio; **Kevin Alan Reid**, Asheville, N.C.

OTHER PUBLICATIONS

Kumho Power Racer II Tire, 1997 Tread Design Guide, p. 44, Jan. 1997.

[73] Assignee: **The Goodyear Tire & Rubber Company**, Akron, Ohio

Primary Examiner—Robert M. Spear
Attorney, Agent, or Firm—T P Lewandowski

[**] Term: **14 Years**

[21] Appl. No.: **29/097,856**

[57] **CLAIM**

[22] Filed: **Dec. 16, 1998**

The ornamental design for a tire tread, as shown and described.

[51] **LOC (6) Cl.** **12-15**

DESCRIPTION

[52] **U.S. Cl.** **D12/146; D12/143**

FIG. 1 is a perspective view of a tire tread showing our new design, it being understood that the pattern repeats uniformly throughout the circumference of the tread;

[58] **Field of Search** D12/136-152;
152/209.1, 209.8, 209.9, 209.11, 209.12,
209.13, 209.16, 209.18, 209.19, 209.21,
209.28, 900, 901, 902, 903

FIG. 2 is a front elevational view thereof;

FIG. 3 is a side elevational view thereof, the opposite side elevational view being identical thereto; and,

FIG. 4 is an enlarged fragmentary perspective view.

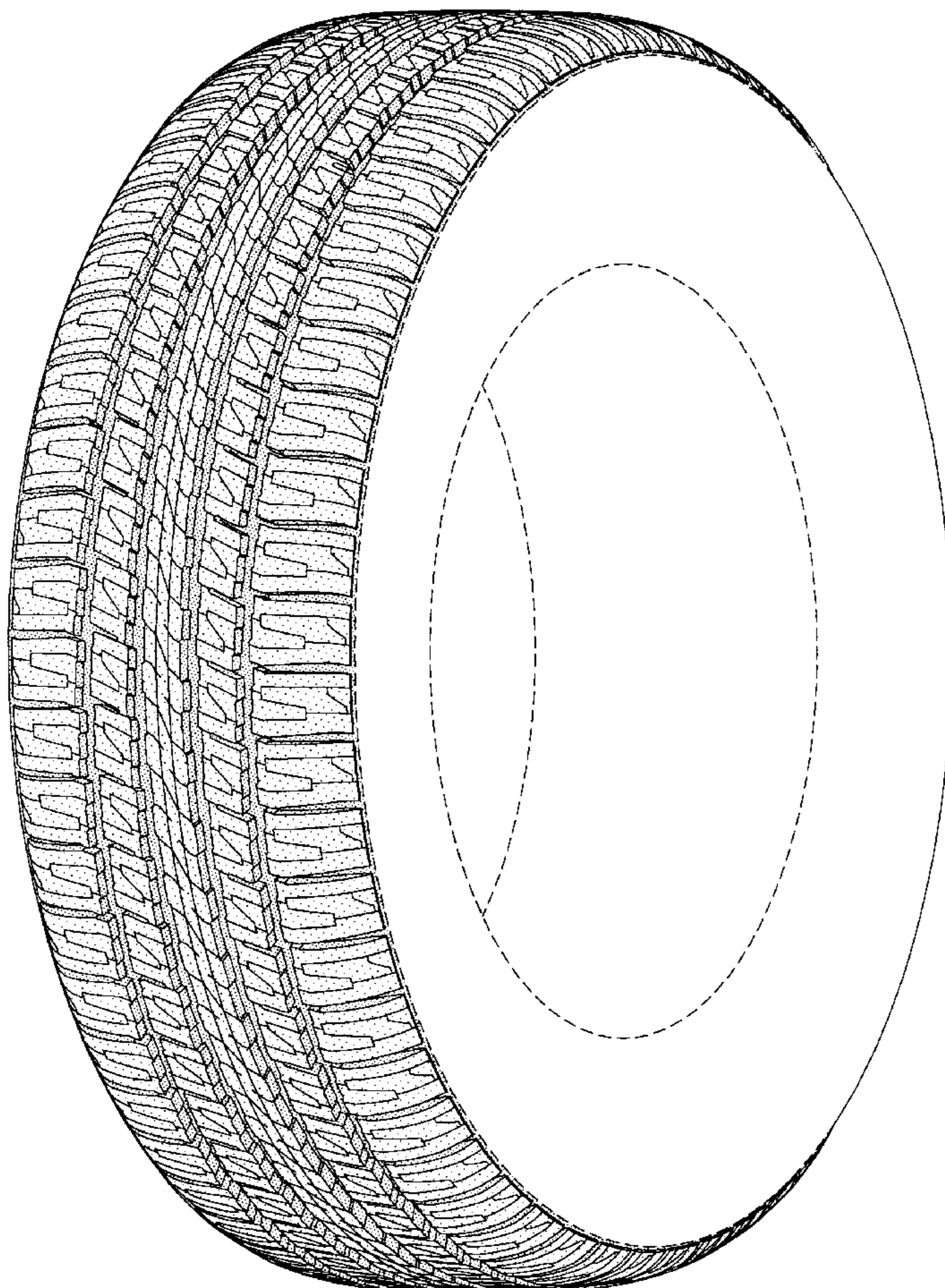
In the drawings, the broken lines defining the inner bead of the sidewall and the peripheral boundary between the tire tread and the sidewall are for illustrative purposes only and form no part of the claimed design.

[56] **References Cited**

U.S. PATENT DOCUMENTS

D. 283,212	4/1986	Martini et al.	D12/143
D. 287,580	1/1987	Cain	D12/147
D. 342,469	12/1993	Diensthuber	D12/147
D. 350,719	9/1994	Graas et al.	D12/147
D. 351,126	10/1994	Manestar	D12/146
D. 384,605	10/1997	Aoki	D12/143

1 Claim, 4 Drawing Sheets



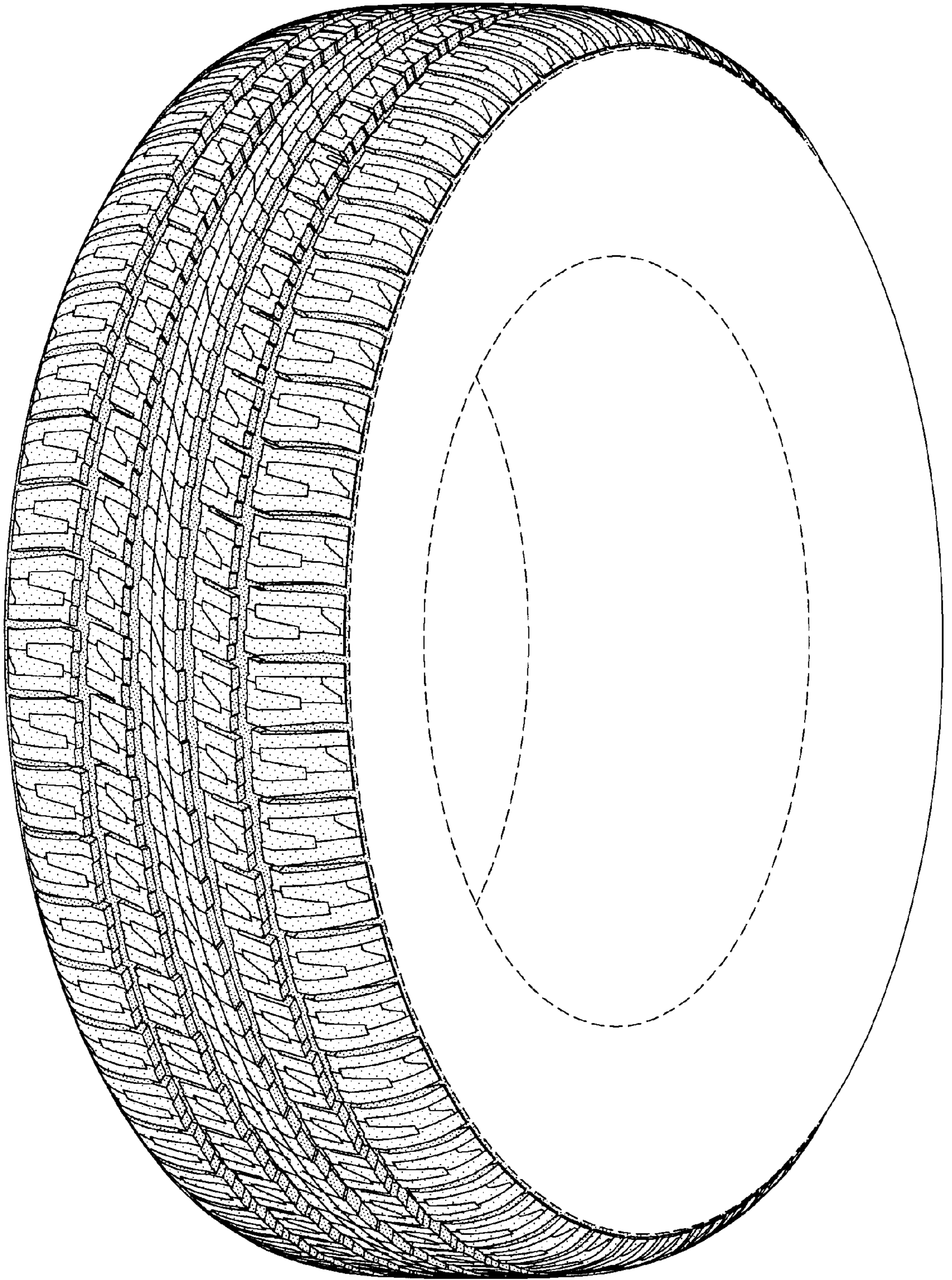


FIG-1

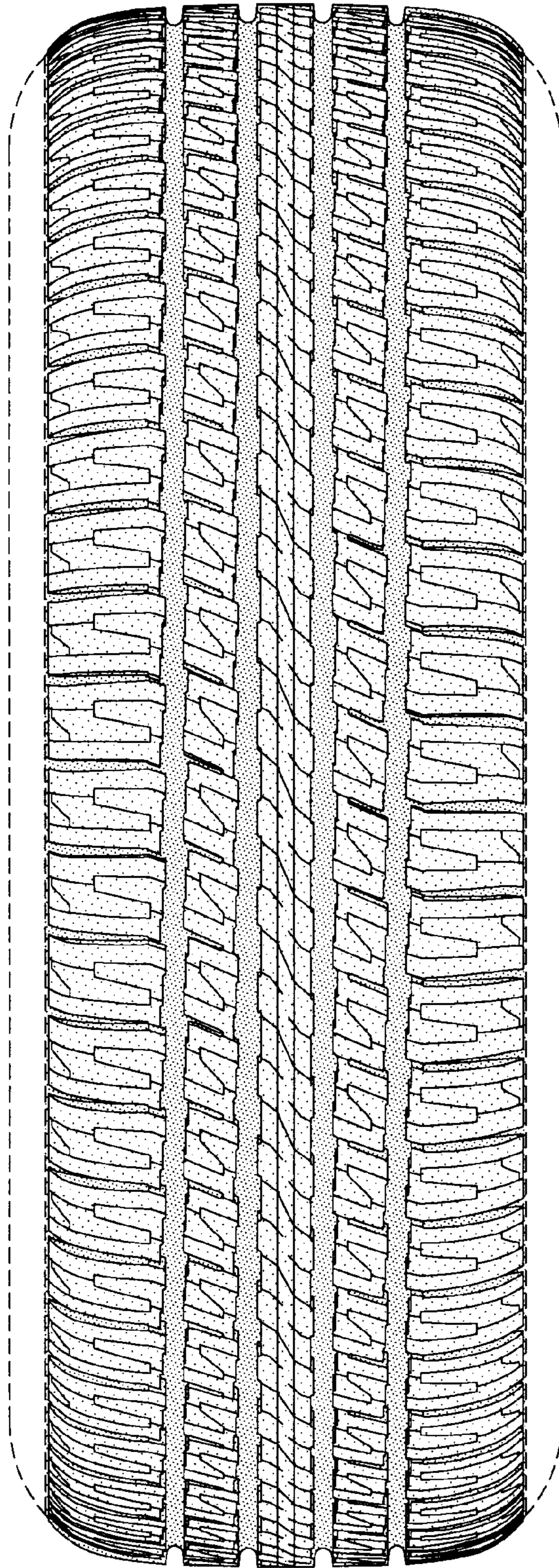


FIG-2

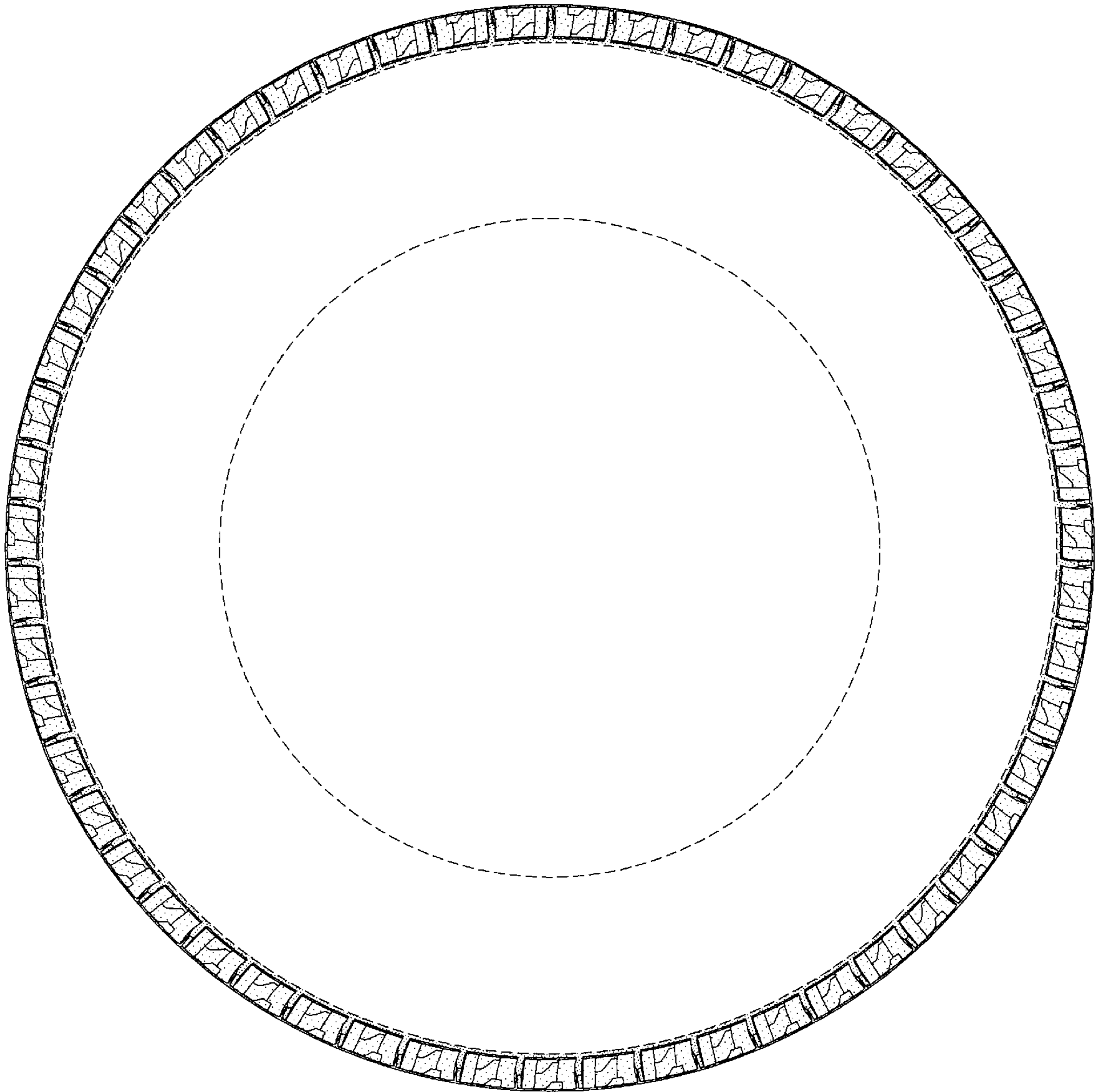


FIG-3

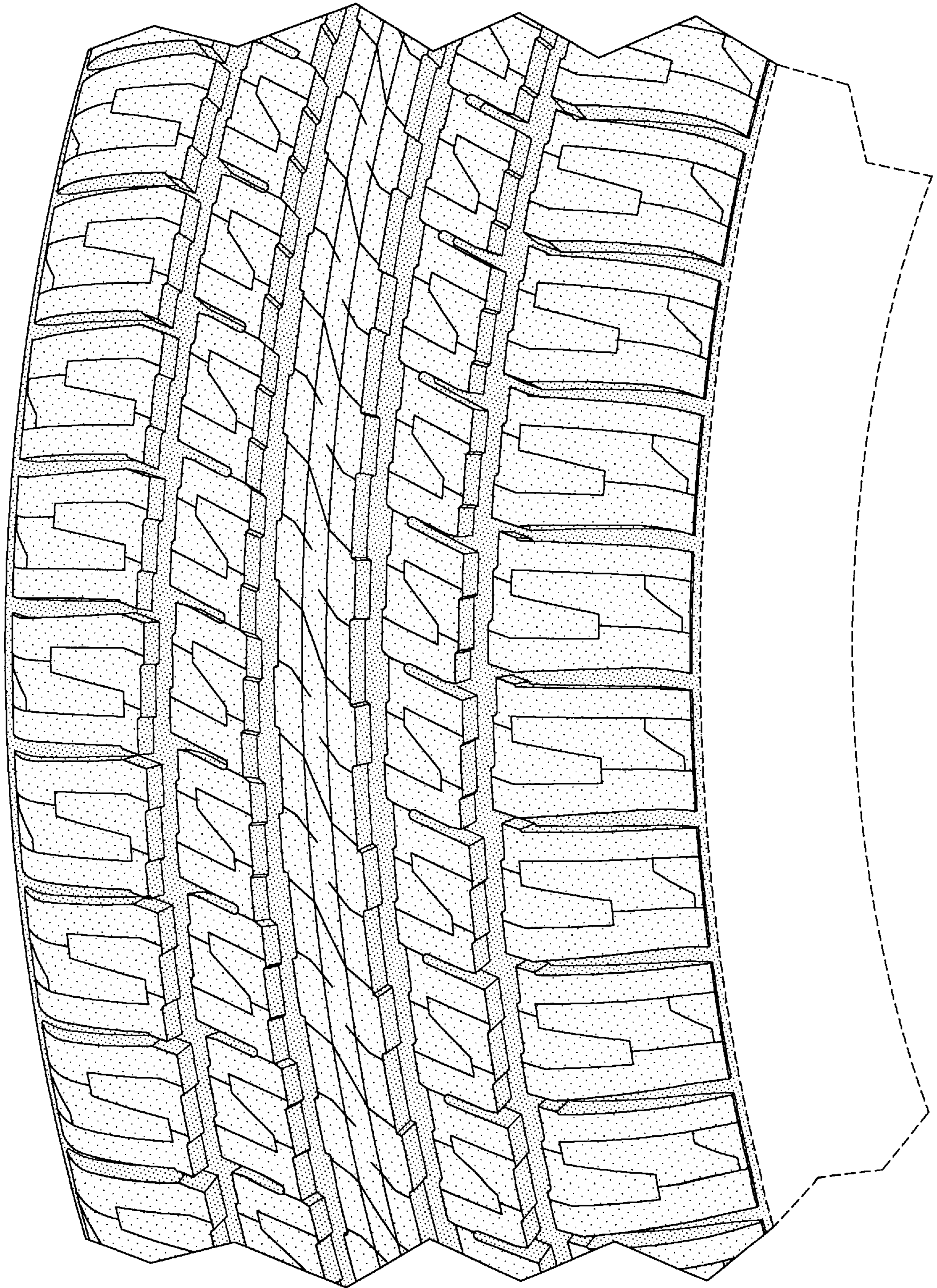


FIG-4