



US00D416828S

United States Patent [19]
Hwang

[11] **Patent Number: Des. 416,828**

[45] **Date of Patent: ** Nov. 23, 1999**

[54] **BELT BUCKLE**

[76] Inventor: **Jin Shin Hwang**, P.O. Box 23-487,
Changhua, Taiwan

[**] Term: **14 Years**

[21] Appl. No.: **29/089,555**

[22] Filed: **Jun. 17, 1998**

[30] **Foreign Application Priority Data**

Mar. 12, 1998 [TW] Taiwan 87301652

[51] **LOC (6) Cl.** **02-07**

[52] **U.S. Cl.** **D11/237**

[58] **Field of Search** D11/200, 230-241;
24/163 R, 163 K, 170, 185, 188, 191-193,
197, 199, 265 R; 63/2

[56] **References Cited**

U.S. PATENT DOCUMENTS

10,704 5/1854 Crane D11/237

27,205	6/1860	Fussell	D11/237
33,455	10/1861	Ross	D11/200
D. 97,955	12/1935	Putman	D11/236
D. 98,368	1/1936	Putman	D11/237
237,506	2/1881	Ewart	D11/237
D. 290,589	6/1987	Watanabe	D11/234
600,331	3/1898	Lanz	D11/237

Primary Examiner—Ralf Seifert

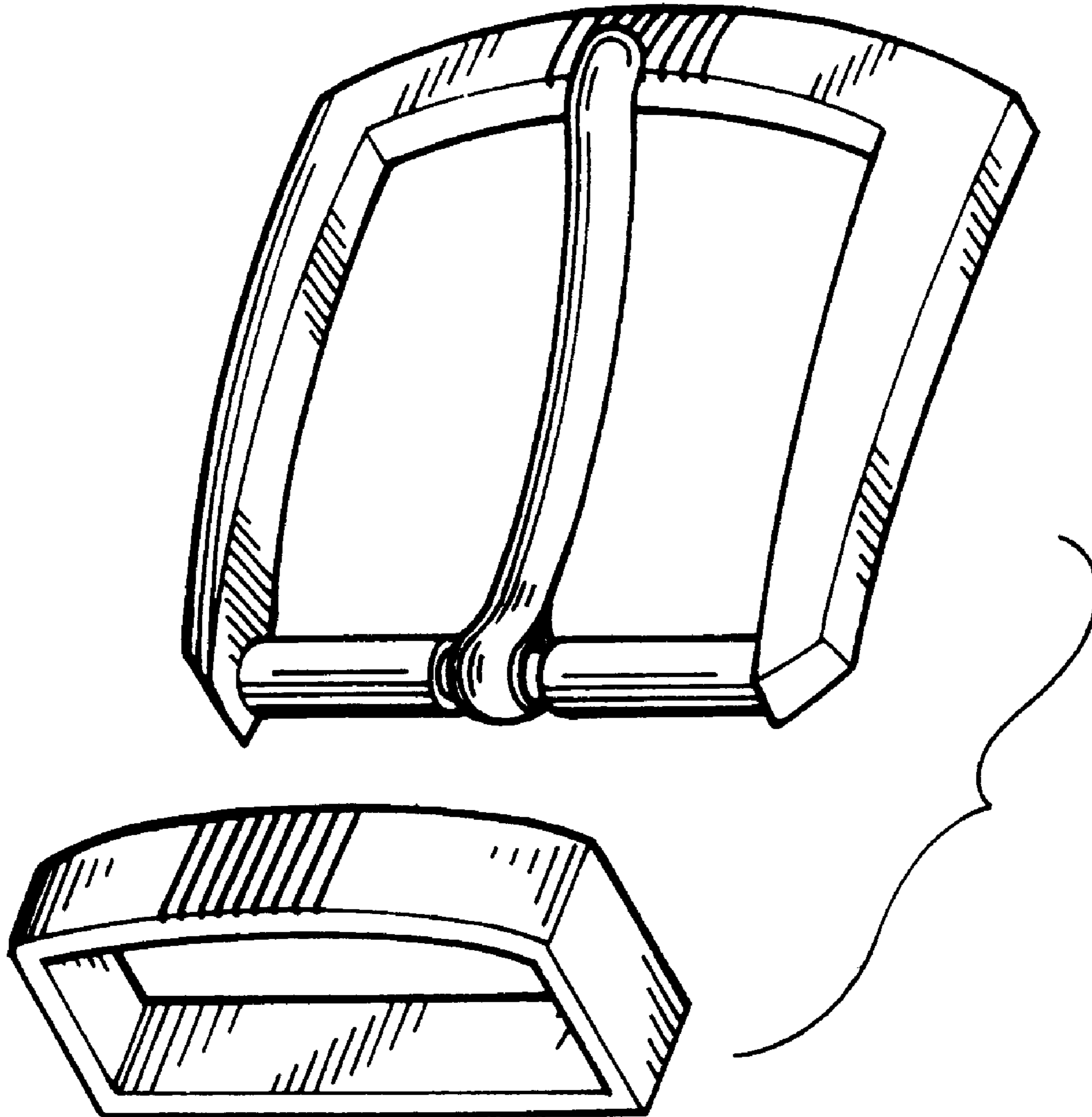
[57] **CLAIM**

The ornamental design for a belt buckle, as shown and described.

DESCRIPTION

FIG. 1 is a front elevational view of a belt buckle showing my new design;
FIG. 2 is a rear elevational view thereof;
FIG. 3 is a top plan view thereof;
FIG. 4 is a bottom plan view thereof; and,
FIG. 5 is a perspective view thereof.

1 Claim, 4 Drawing Sheets



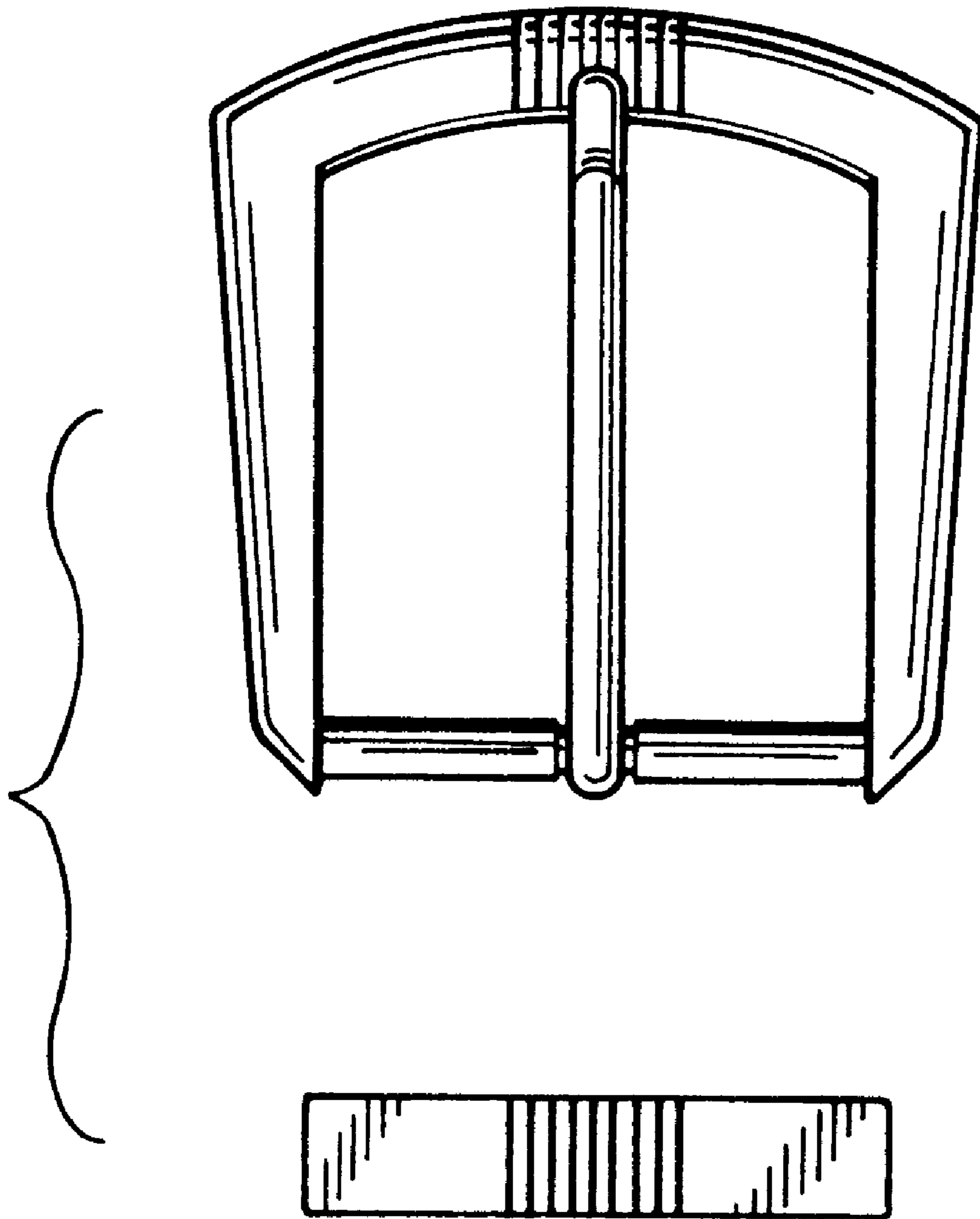


FIG 1

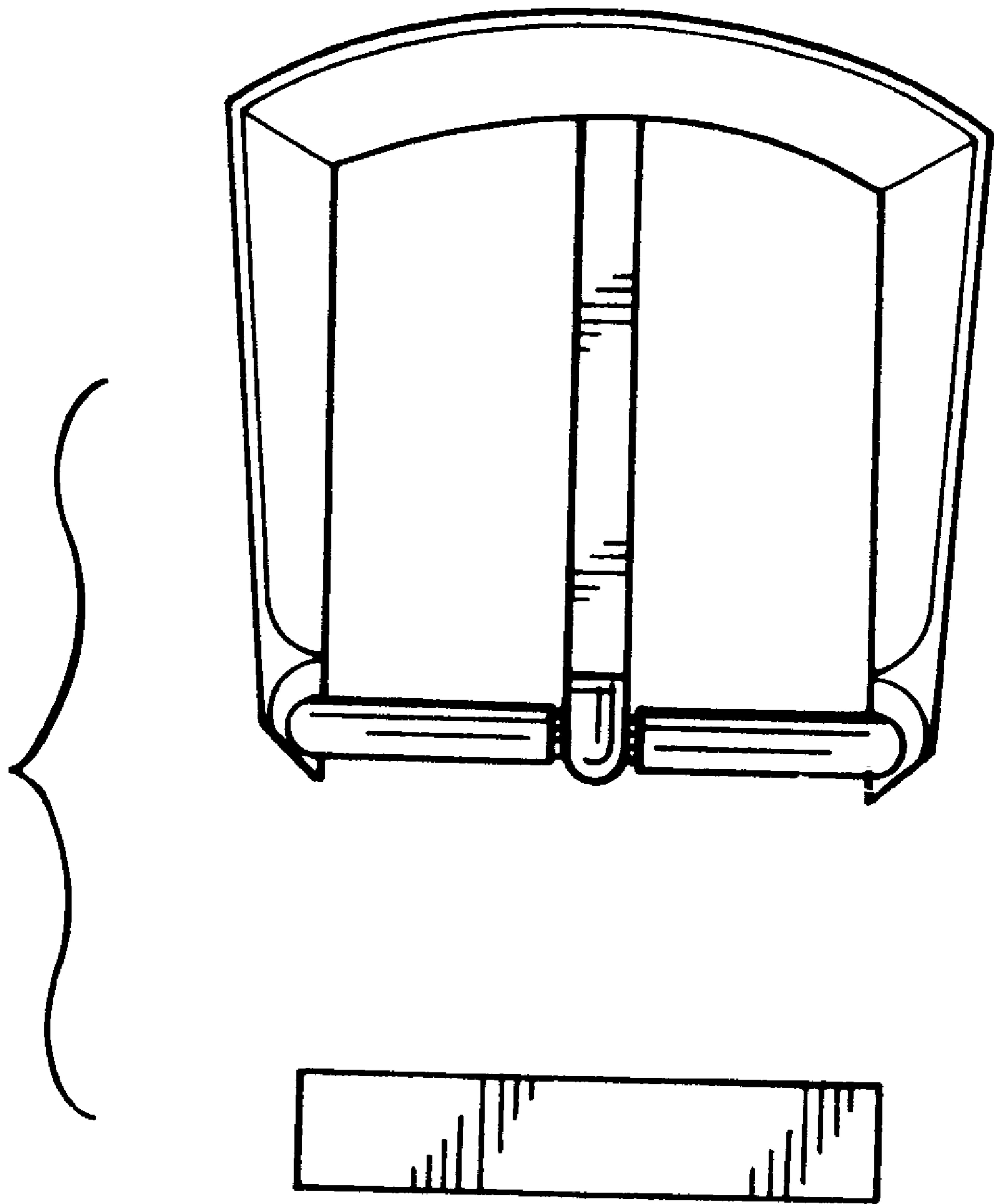


FIG 2

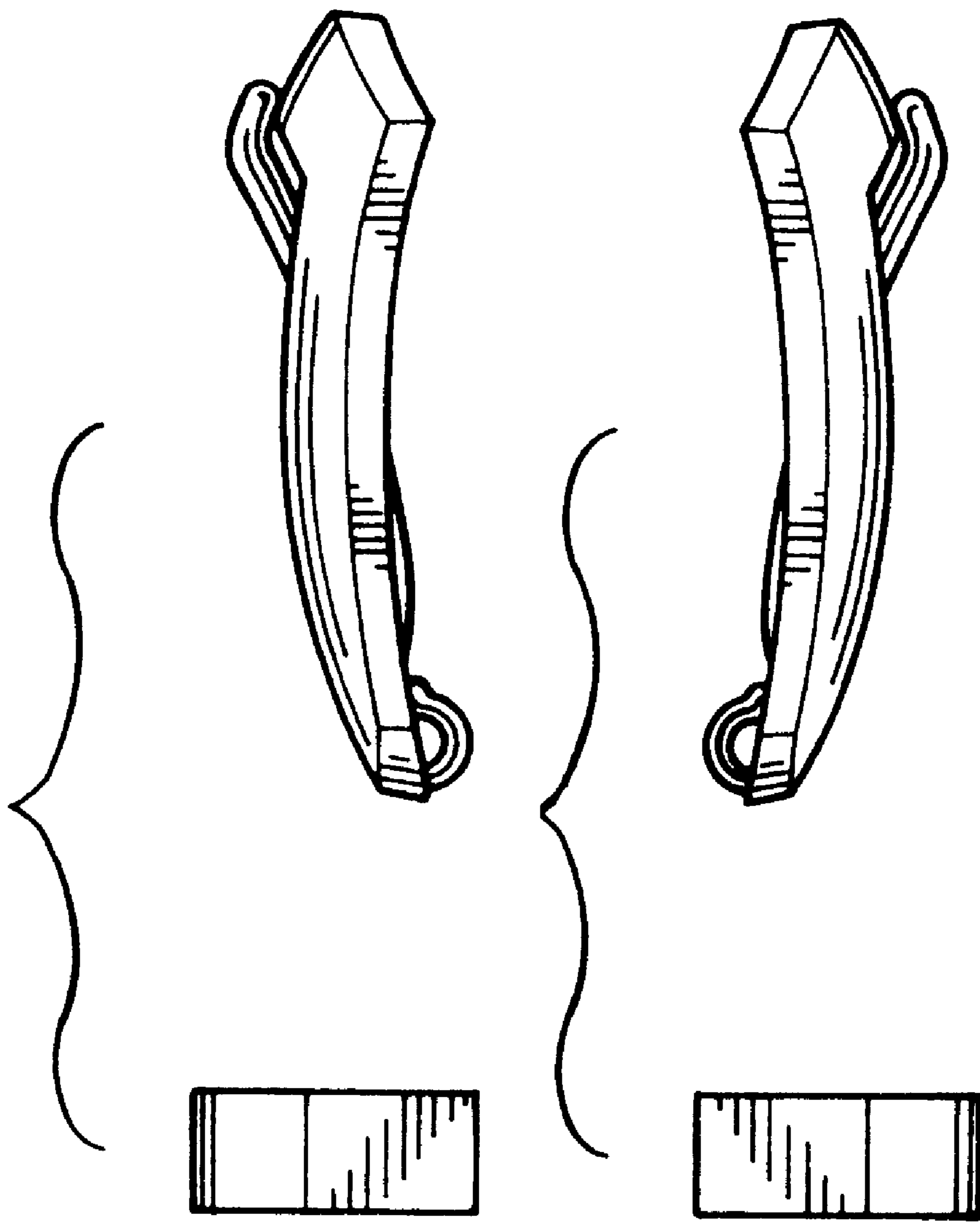


FIG 4

FIG 3

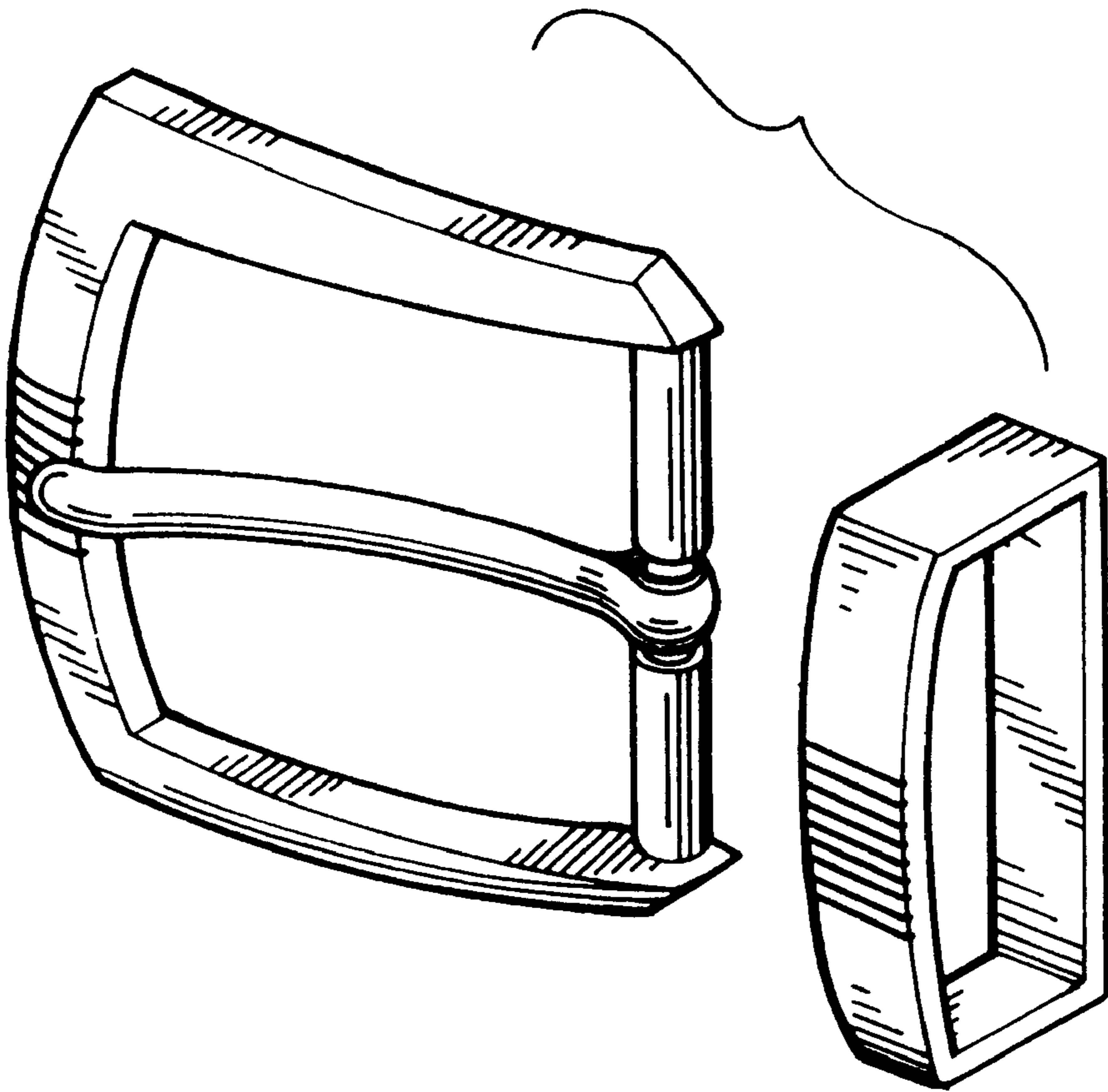


FIG 5