



US00D416826S

# United States Patent [19]

[11] Patent Number: **Des. 416,826**

Newsome

[45] Date of Patent: **\*\* Nov. 23, 1999**

[54] **SET OF ILLUMINATED CHRISTMAS TREE ORNAMENTS**

D. 405,714 2/1999 Lewis ..... D11/121

*Primary Examiner*—Dominic Simone

[76] Inventor: **Dorothy A Newsome**, 2725 N. Nansemond Dr., Suffolk, Va. 23435

[57] **CLAIM**

[\*\*] Term: **14 Years**

The ornamental design for a set of illuminated Christmas tree ornaments, as shown and described.

[21] Appl. No.: **29/094,729**

### DESCRIPTION

[22] Filed: **Oct. 8, 1998**

FIG. 1 is a front elevational view of a set of illuminated Christmas tree ornaments showing my new design; FIG. 2 is a rear elevational view thereof; FIG. 3 is a left side elevational view thereof; FIG. 4 is a right side elevational view thereof; FIG. 5 is a top plan view thereof; FIG. 6 is a bottom plan view thereof; and, FIG. 7 is an enlarged top, front, right side perspective view of a single ornament, shown separately for illustrative purposes only.

[51] **LOC (6) Cl.** ..... **11-05**

[52] **U.S. Cl.** ..... **D11/121**

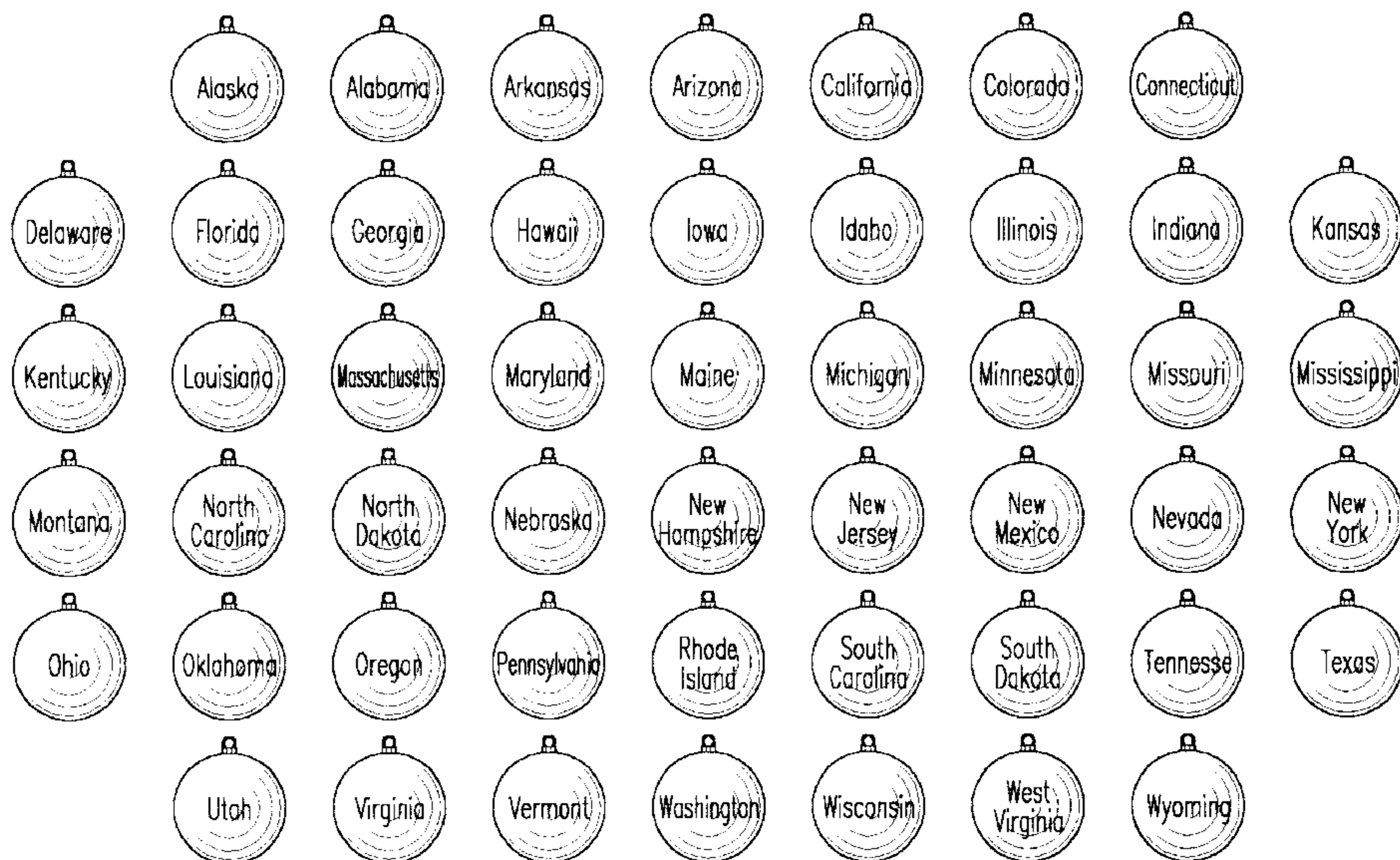
[58] **Field of Search** ..... D11/121, 125; D26/25, 118; 428/7, 11; 362/806, 812, 252, 257, 311

### [56] **References Cited**

#### U.S. PATENT DOCUMENTS

D. 375,468 11/1996 Connolly et al. .... D11/125

**1 Claim, 3 Drawing Sheets**



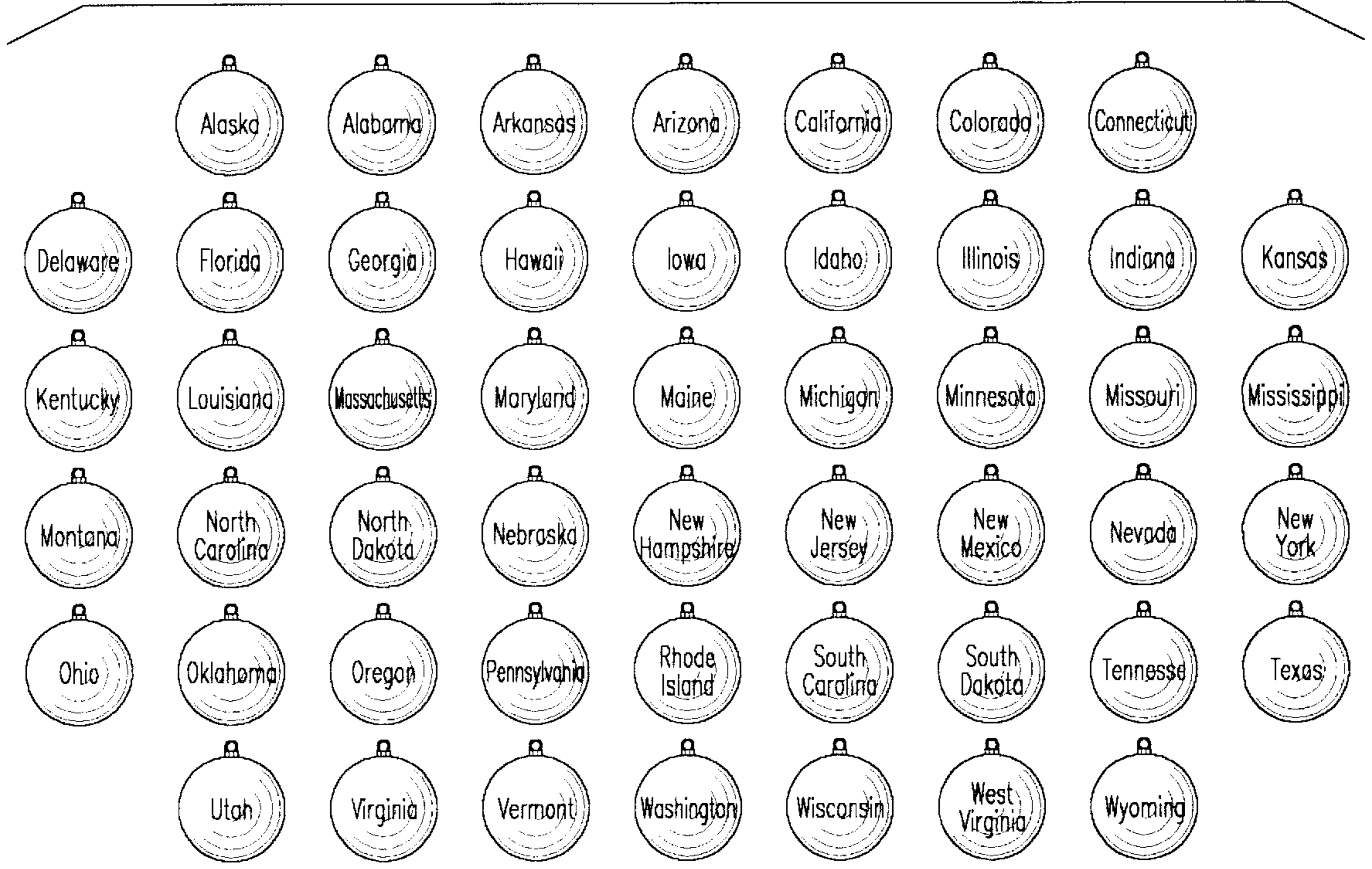


Fig. 1

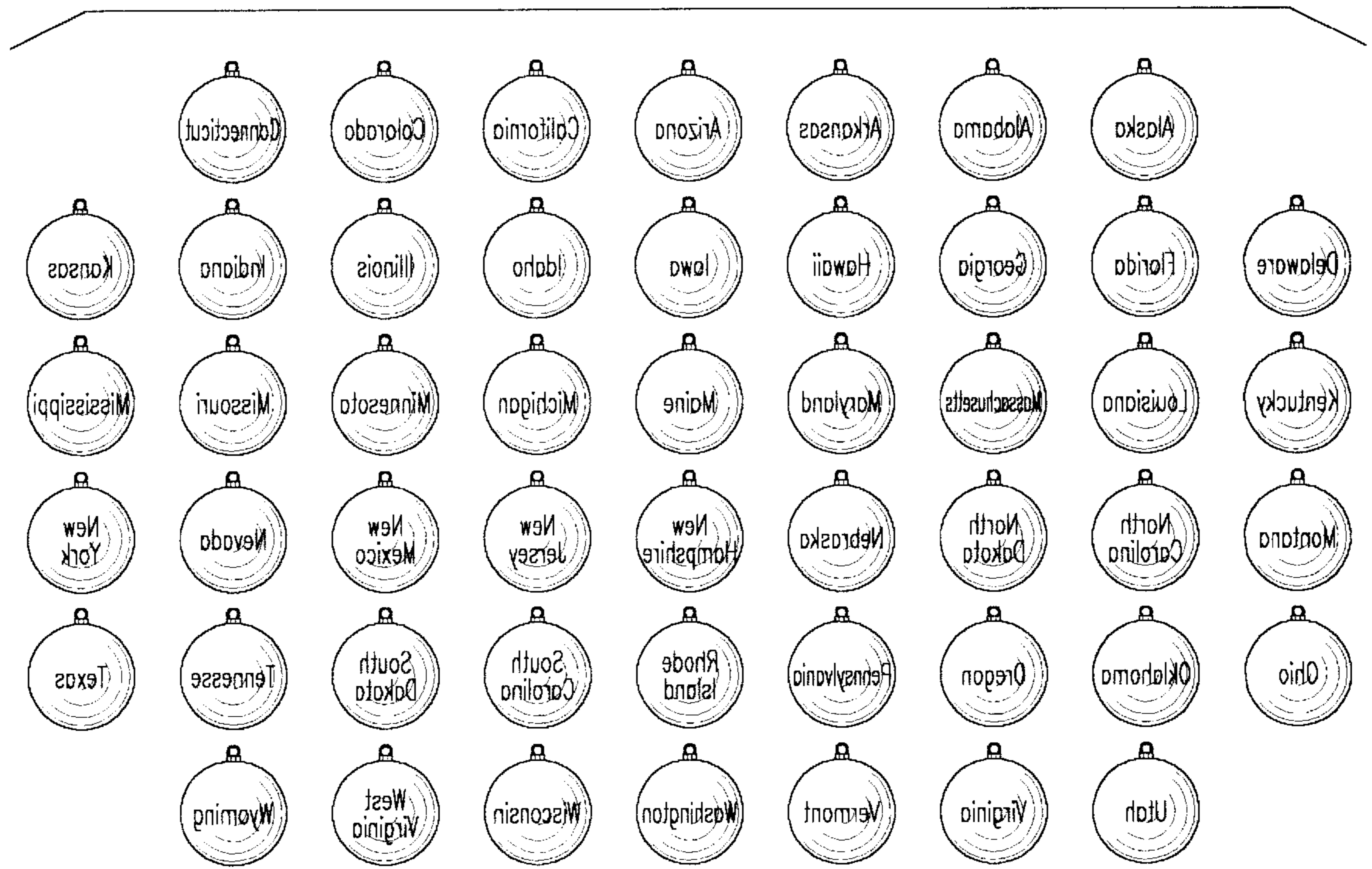
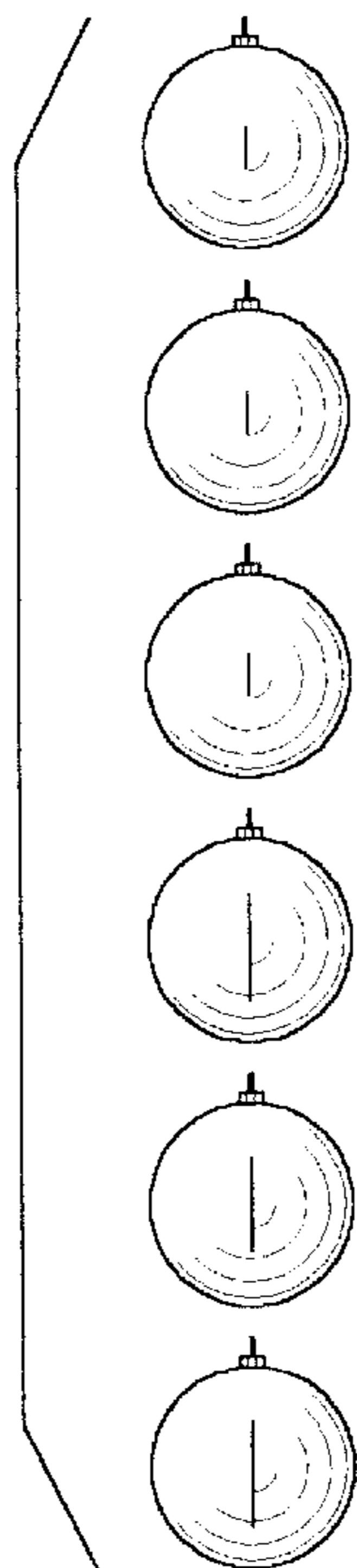
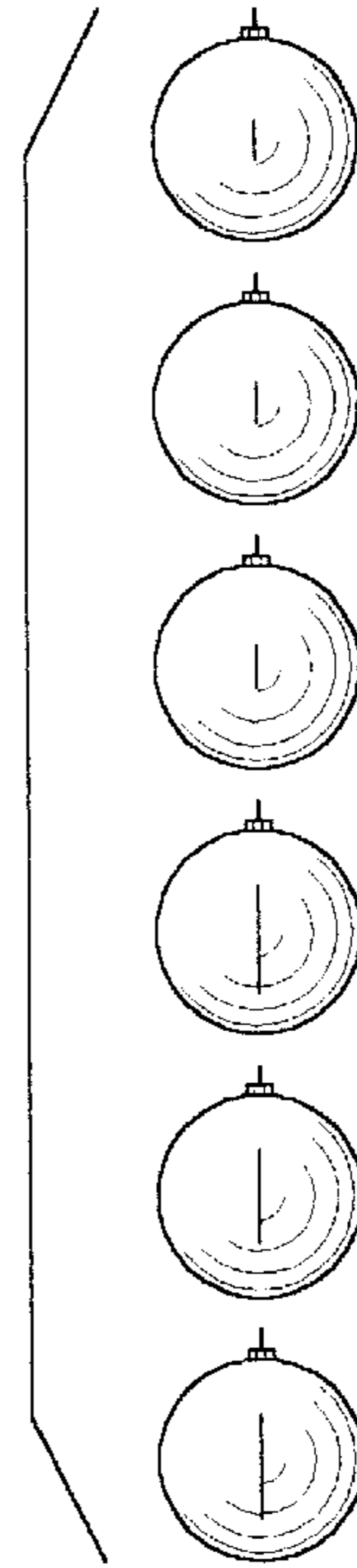


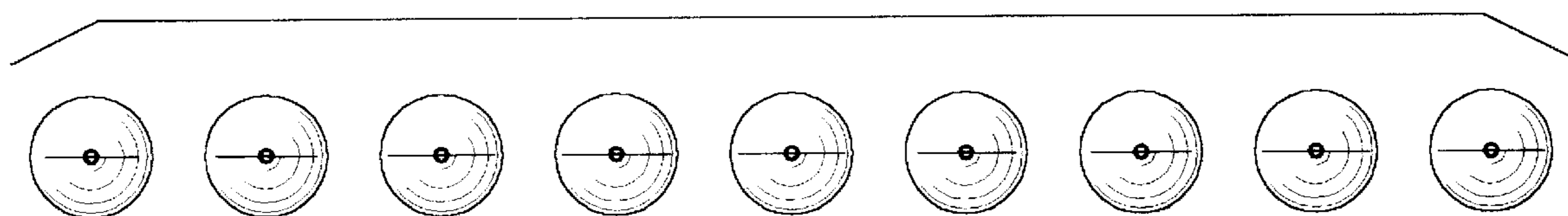
Fig. 2



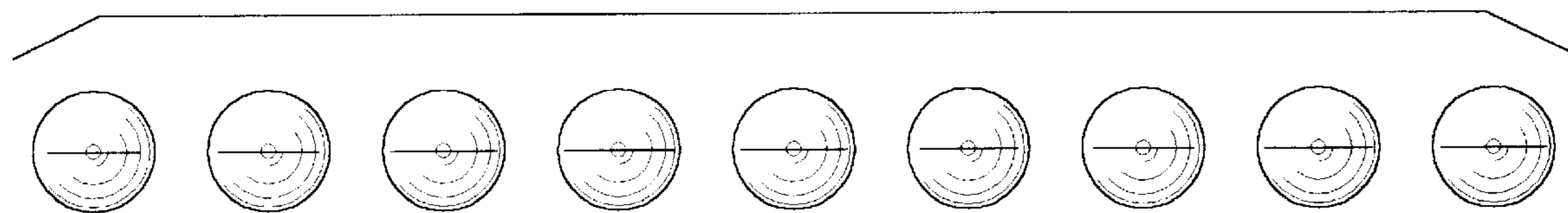
*Fig. 3*



*Fig. 4*



*Fig. 5*



*Fig. 6*



*Fig. 7*