



US00D416822S

United States Patent [19]

[11] Patent Number: Des. 416,822

Slate et al.

[45] Date of Patent: ** Nov. 23, 1999

[54] GAGE PROTECTOR

[75] Inventors: **Jeremy E. Slate; Craig L. Meyers,** both of Indianapolis; **Christopher S. Hauke,** Fishers, all of Ind.

[73] Assignee: **ReGin Manufacturing, Inc.,** Indianapolis, Ind.

[**] Term: **14 Years**

[21] Appl. No.: **29/092,112**

[22] Filed: **Aug. 12, 1998**

[51] LOC (6) Cl. **10-04**

[52] U.S. Cl. **D10/103; D10/96; D10/99**

[58] Field of Search **D10/103, 100, D10/99; 73/431, 865.1; 359/808-810, 525, 636, 821, 533, 528**

[56] References Cited

U.S. PATENT DOCUMENTS

5,119,677 6/1992 Porter 73/431
5,503,271 4/1996 Lynch 73/431 X

Primary Examiner—Antoine Duval Davis
Attorney, Agent, or Firm—Locke Reynolds LLP

[57] CLAIM

The ornamental design for a gage protector, as shown and described.

DESCRIPTION

FIG. 1 is a perspective view from the front upper left of a gage protector of the present invention comprising a saddle and ring positioned to protect a gage fixed to a pressurized gas dispensing device, the gage and dispensing device being shown in phantom;

FIG. 2 is a perspective view from the rear lower left of the gage protector shown in FIG. 1, the dispensing device being shown in phantom;

FIG. 3 is a side elevation view of the gage protector shown in the prior figures, as viewed from the left side of FIG. 1, the dispensing device being shown in phantom;

FIG. 4 is a side elevation view of the gage protector shown in the prior figures, as viewed from the right side of FIG. 1, the dispensing device being shown in phantom;

FIG. 5 is an elevation view of the gage protector shown in the prior figures aligned with the yoke of the pressurized gas dispensing device, the gage and dispensing device being shown in phantom;

FIG. 6 is an elevation view of the gage protector shown in the prior figures perpendicular to the yoke of the pressurized gas dispensing device, the gage and dispensing device being shown in phantom;

FIG. 7 is elevation view of the gage protector shown in the prior figures aligned with the yoke of the pressurized gas dispensing device opposite that of FIG. 5, the gage and dispensing device being shown in phantom;

FIG. 8 elevation view of the gage protector shown in the prior figures perpendicular to the yoke of the pressurized gas dispensing device opposite that of FIG. 6, the gage and dispensing device being shown in phantom;

FIG. 9 is a perspective view of the saddle forming a portion of the gage protector shown in the prior figures as viewed from the right rear;

FIG. 10 is another perspective view of the saddle forming a portion of the gage protector shown in the prior figures as viewed from the front left;

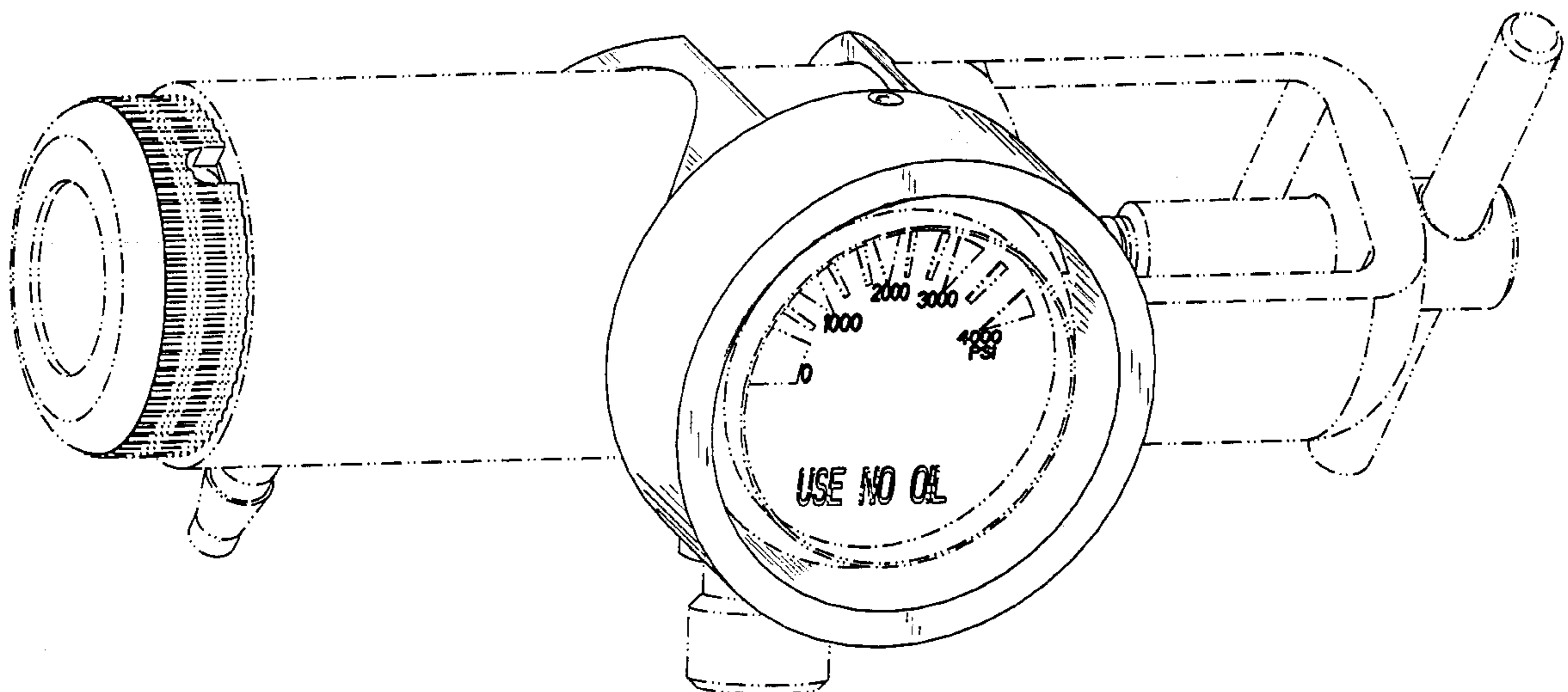
FIG. 11 is a rear elevation view of the saddle forming a portion of the gage protector shown in the prior figures;

FIG. 12 is a side elevation view of the saddle forming a portion of the gage protector shown in the prior figures, the opposite side view being identical;

FIG. 13 is a front elevation view of the saddle forming a portion of the gage protector shown in the prior figures; and,

FIG. 14 is a top plan view of the saddle forming a portion of the gage protector shown in the prior figures, the bottom plan view being identical.

1 Claim, 14 Drawing Sheets



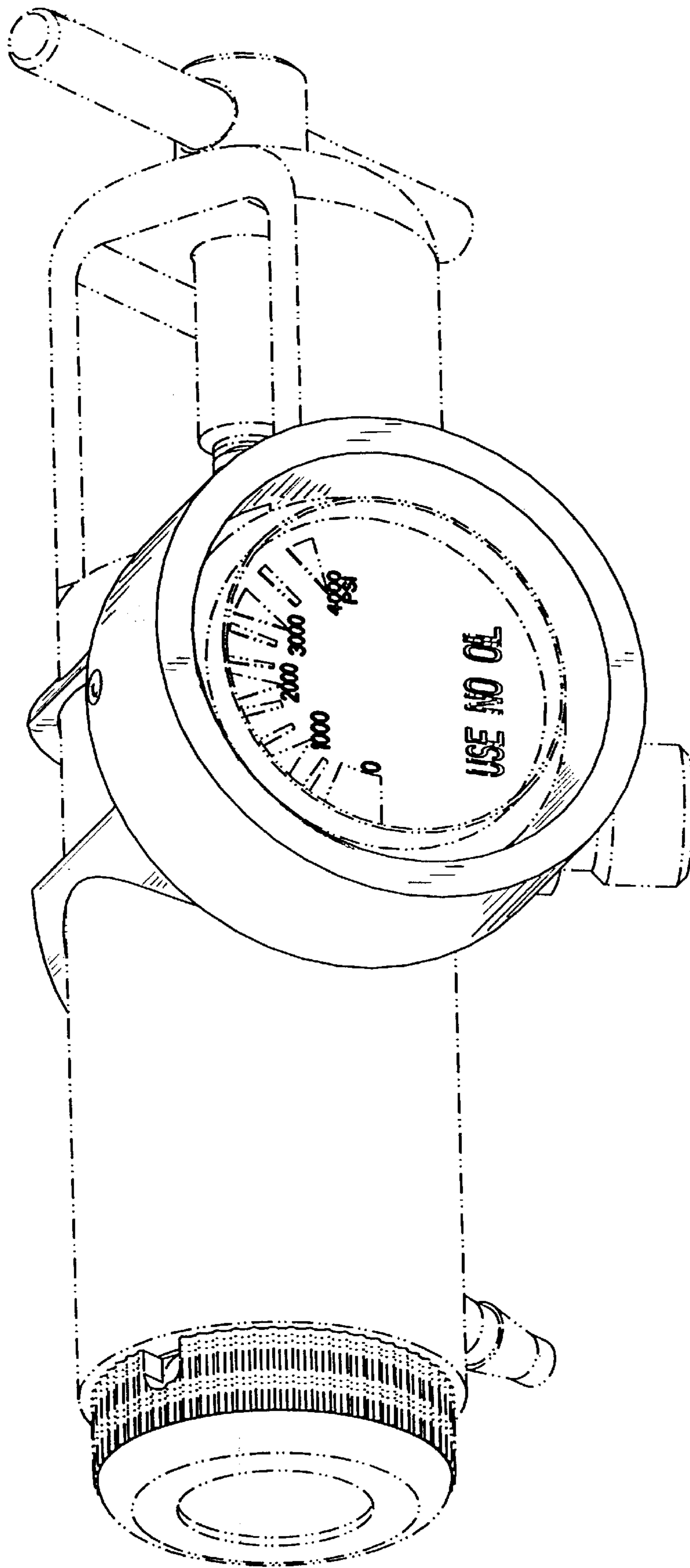


Fig. 1

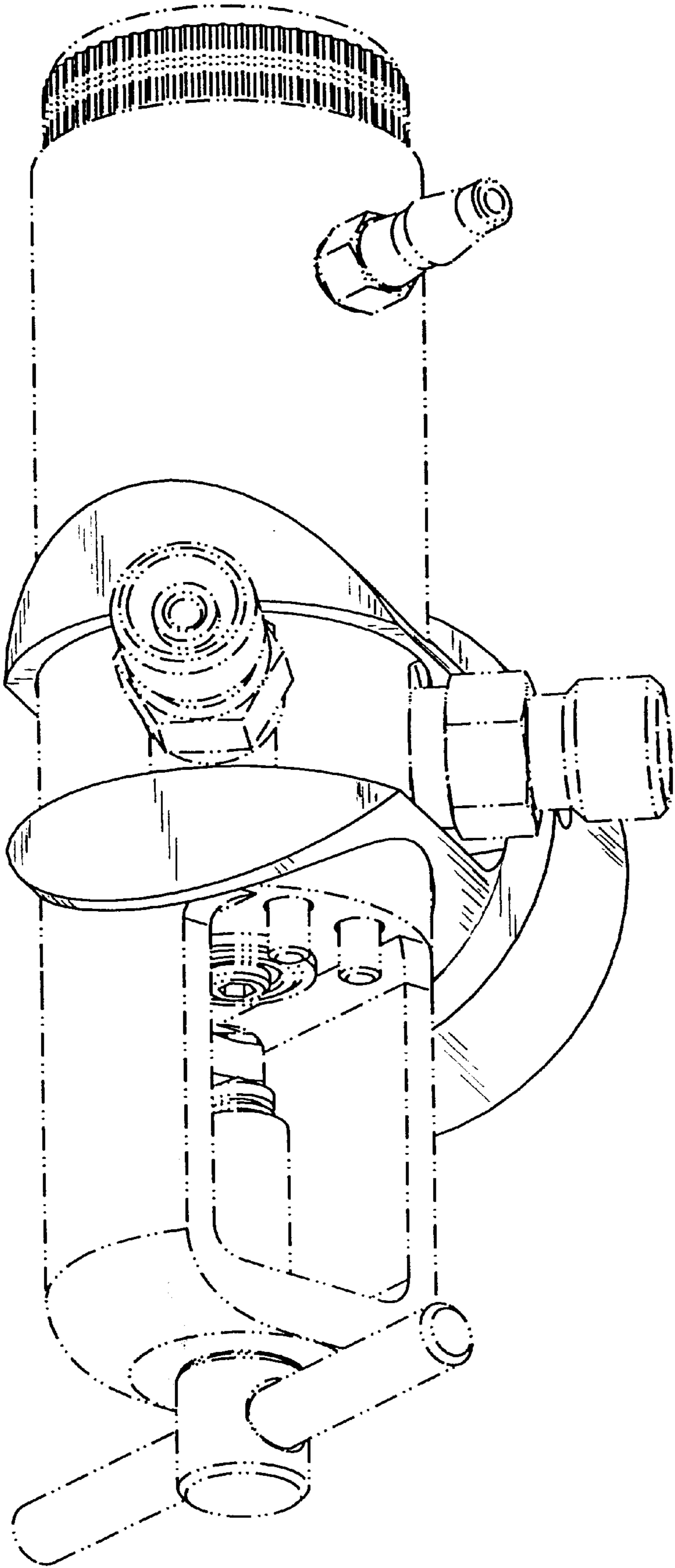


Fig. 2

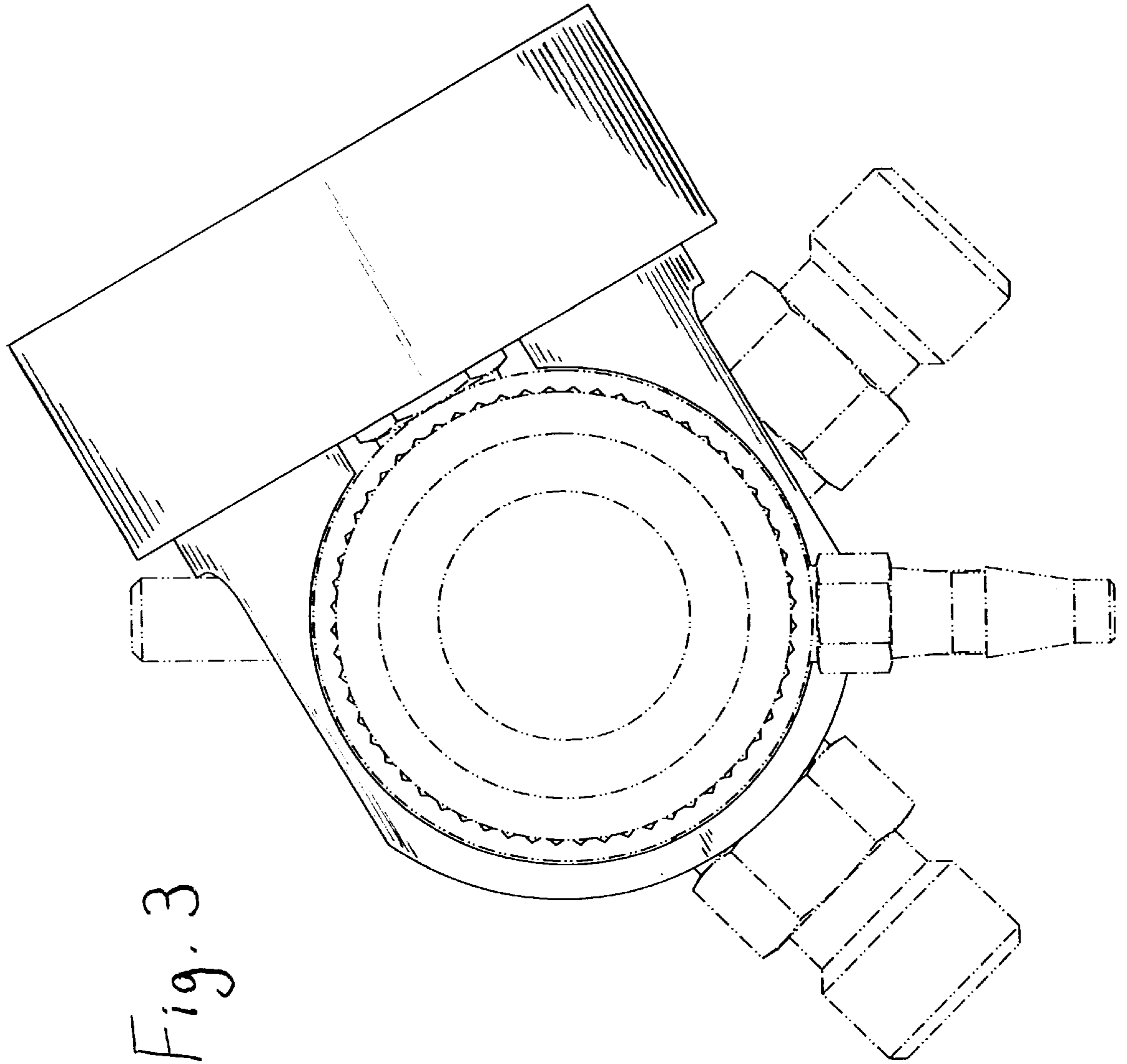


Fig. 3

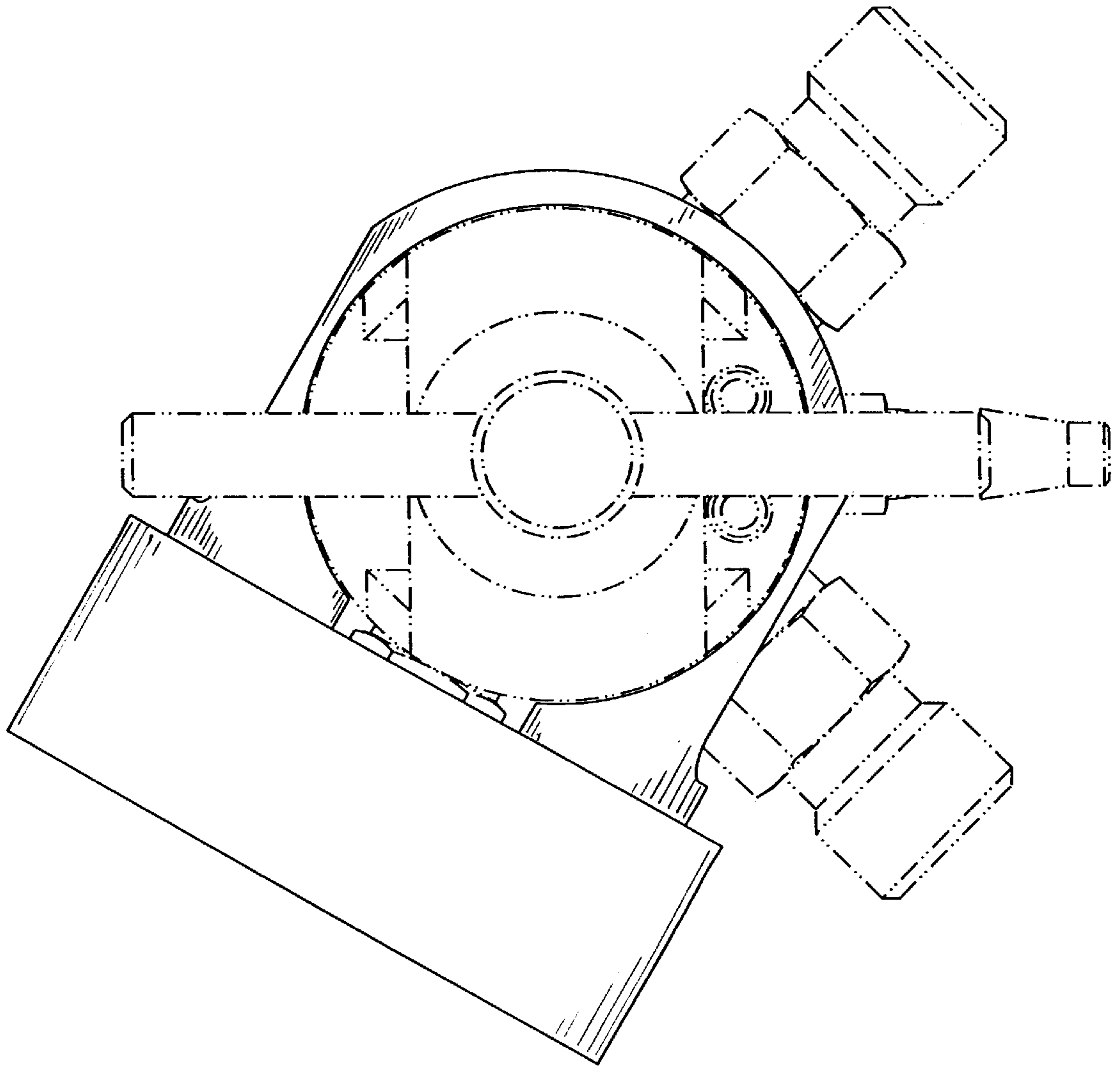


Fig. 4

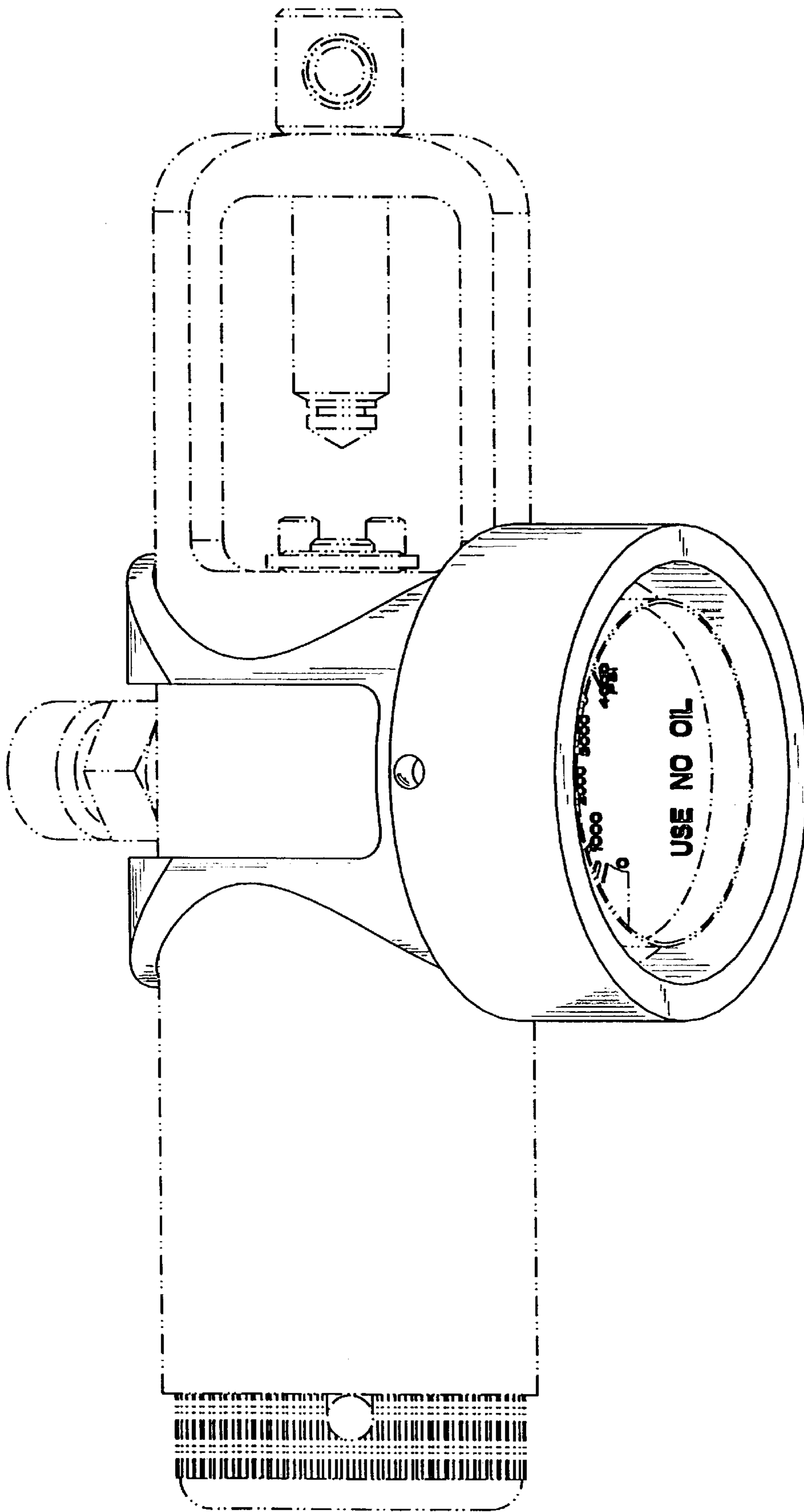


Fig. 5

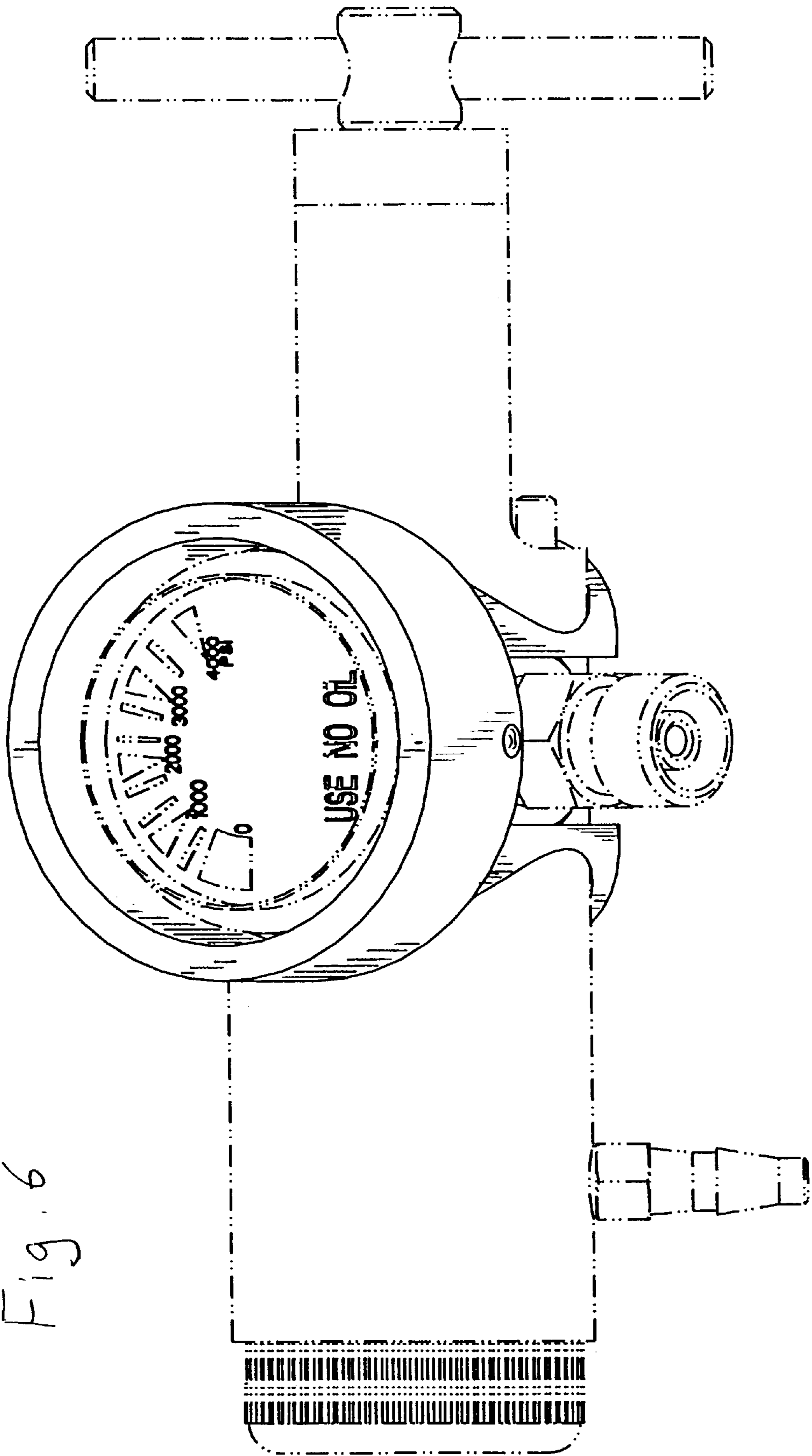


Fig. 6

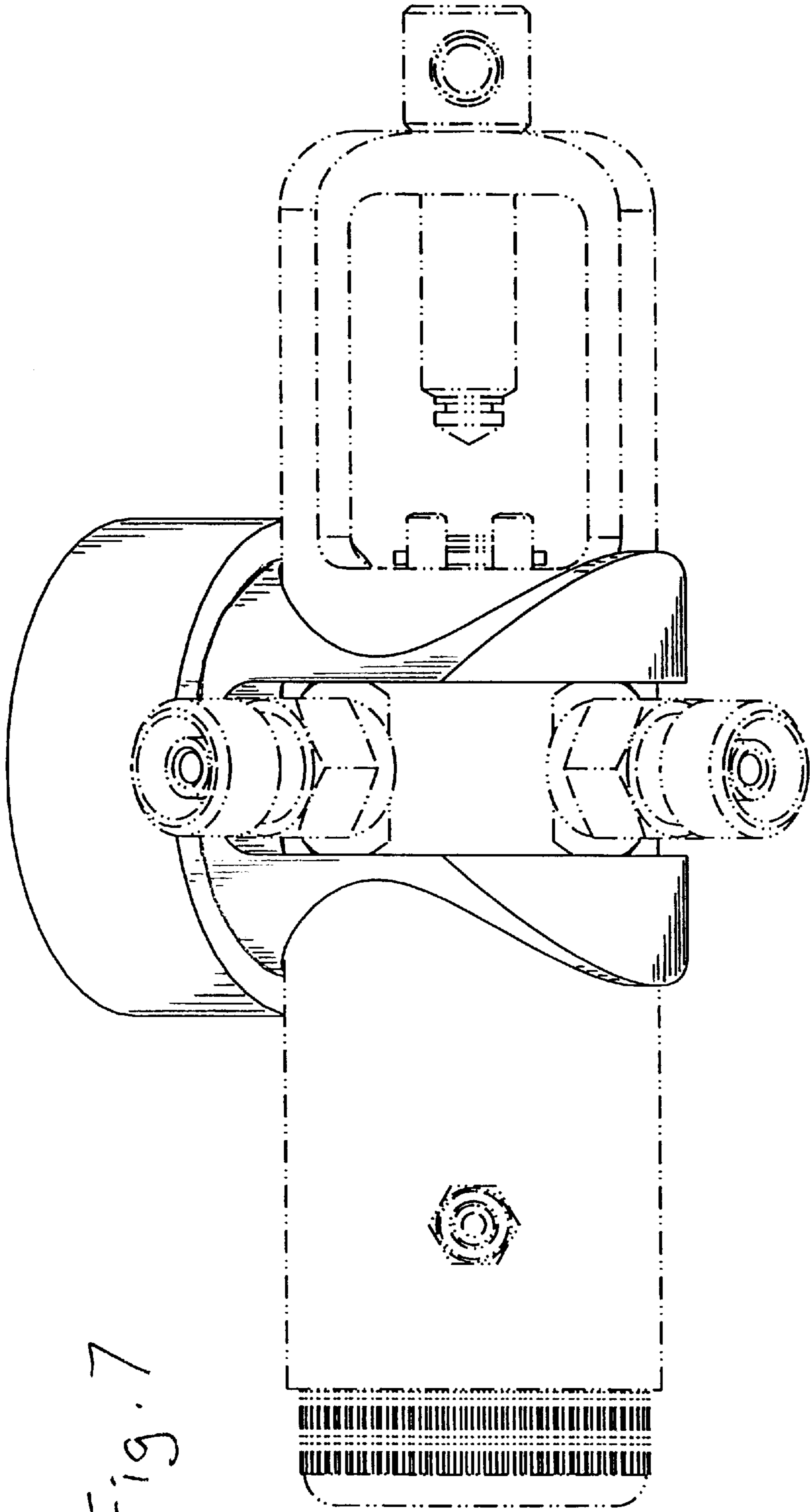


Fig. 7

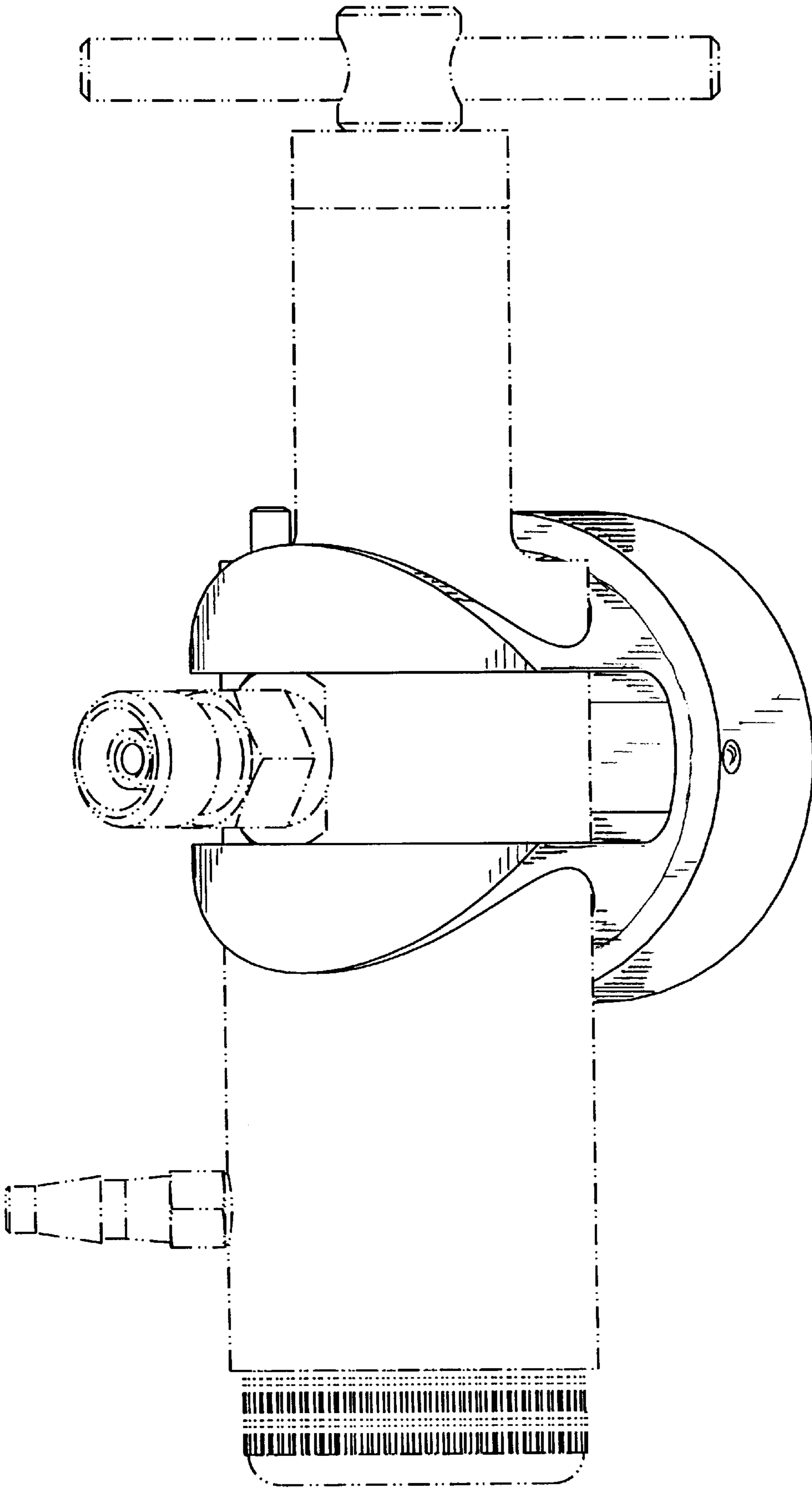


Fig. 8

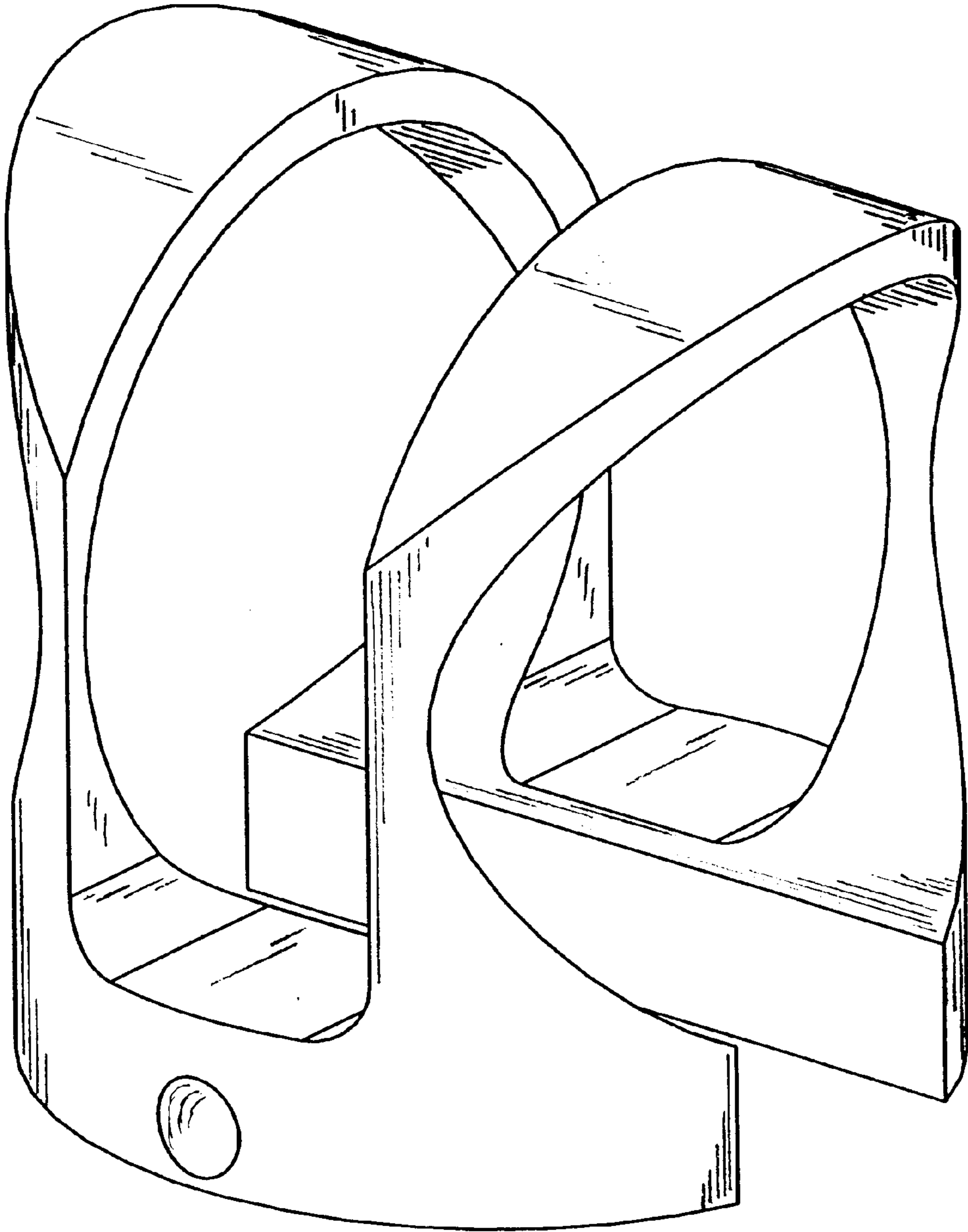


Fig 9

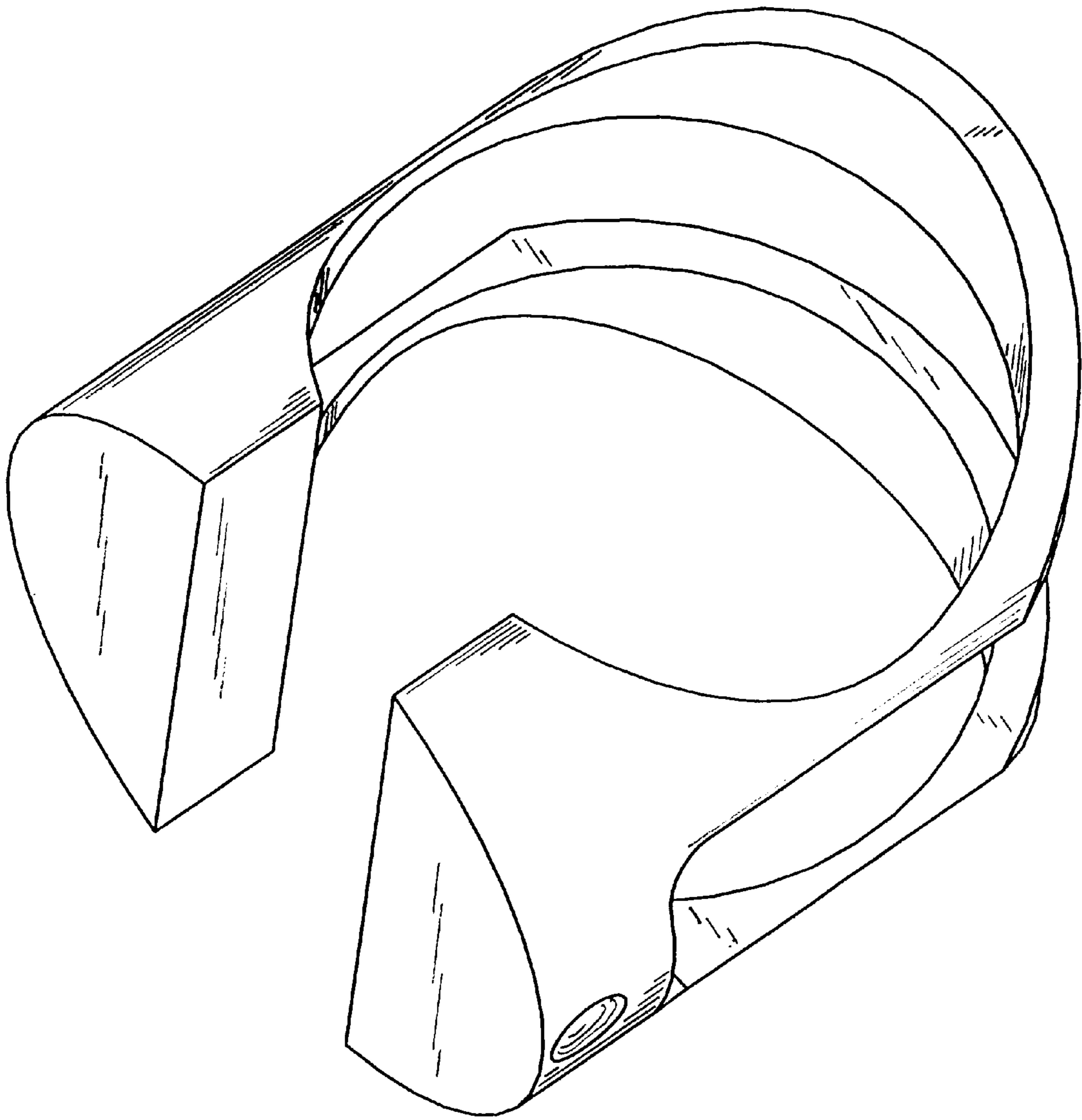


Fig. 10

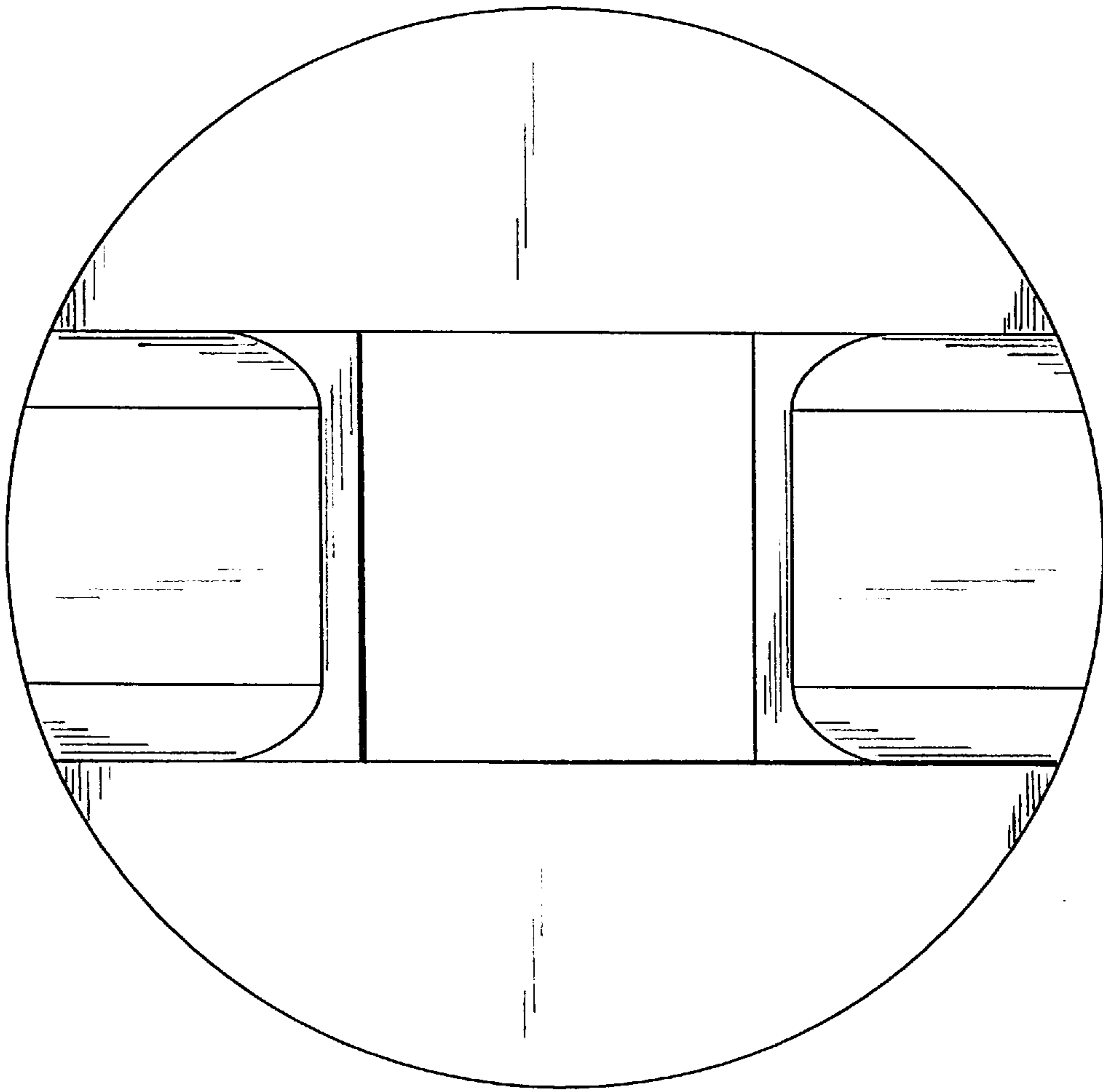


Fig 11

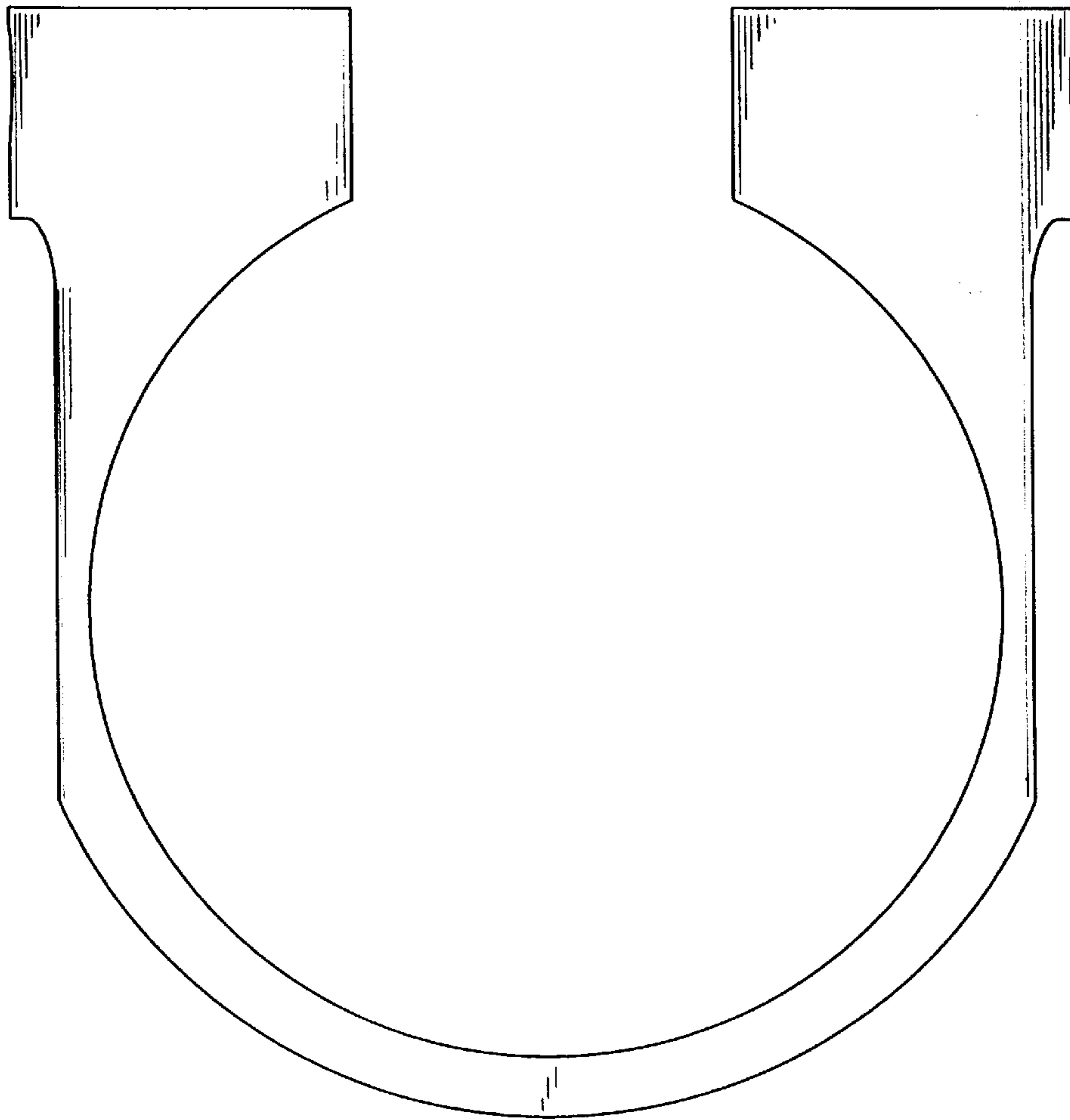


Fig. 12

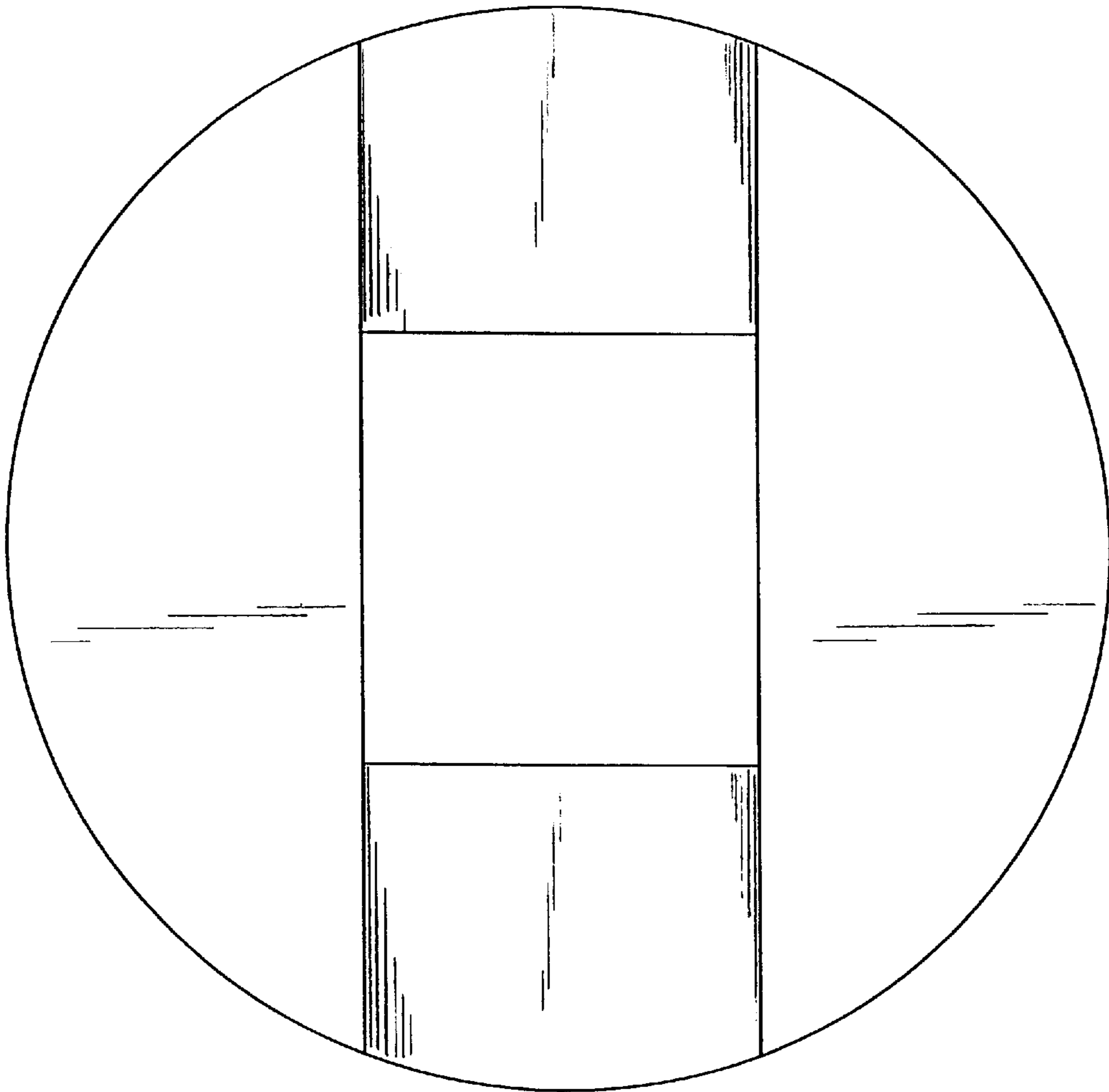


Fig. 13

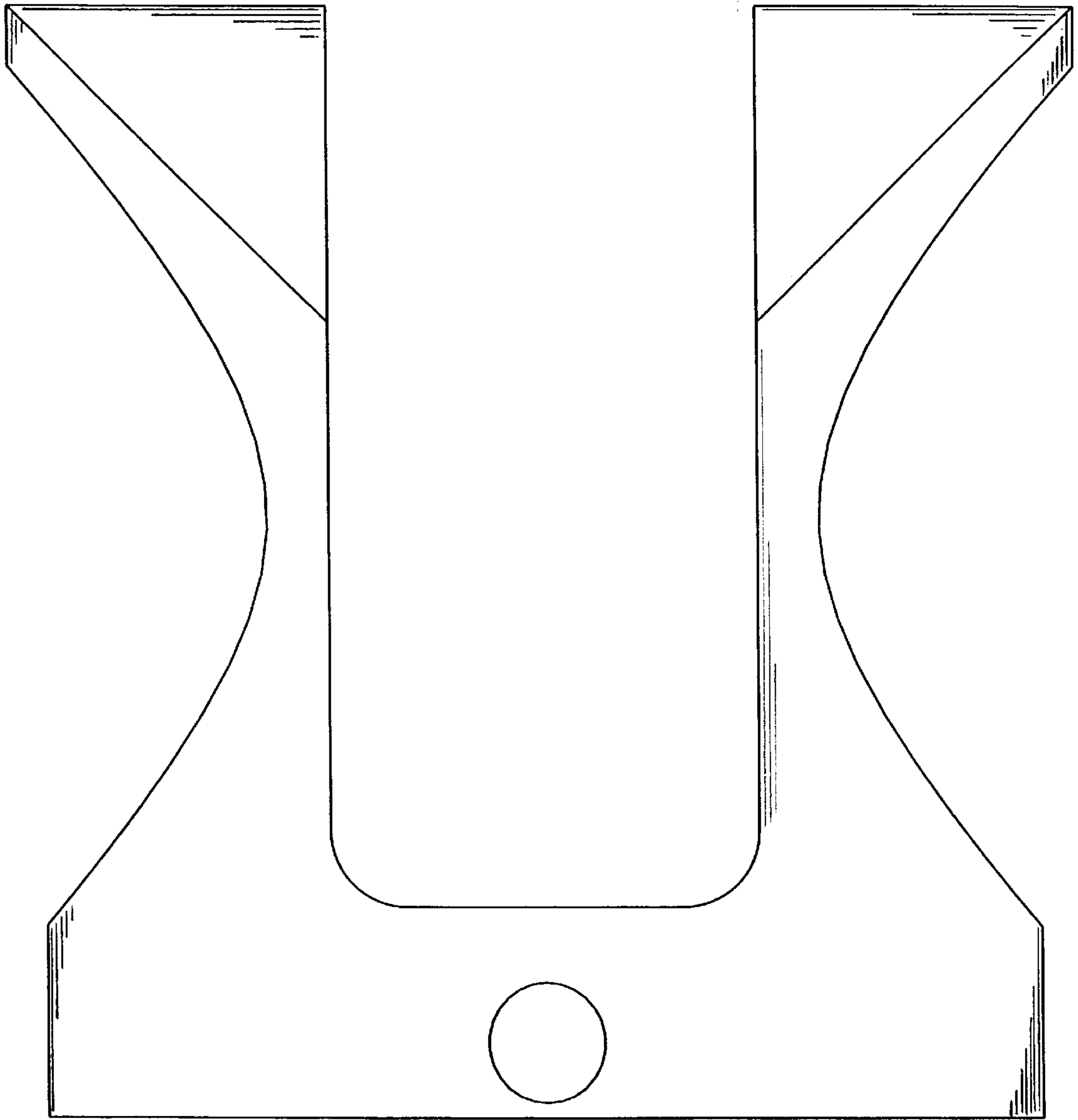


Fig. 14