



US00D416819S

United States Patent [19]

[11] **Patent Number: Des. 416,819**

Luebke et al.

[45] **Date of Patent: ** Nov. 23, 1999**

[54] **ELECTRICAL INSTRUMENT**

[57] **CLAIM**

[75] Inventors: **Thomas M. Luebke**, Menomonee Falls;
David L. Wiesemann, Pewaukee; **Dean R. Walsten**, Slinger, all of Wis.

The ornamental design for an electrical instrument, as shown and described.

[73] Assignee: **Applied Power Inc.**, Butler, Wis.

DESCRIPTION

[**] Term: **14 Years**

FIG. 1 is a perspective view of an electrical instrument showing our new design;

[21] Appl. No.: **29/097,077**

FIG. 2 is a top elevational view thereof;

[22] Filed: **Nov. 30, 1998**

FIG. 3 is a bottom elevational view thereof;

[51] **LOC (6) Cl.** **10-04**

FIG. 4 is a right side elevational view thereof, the left side elevational view being a mirror image of FIG. 4;

[52] **U.S. Cl.** **D10/78**

FIG. 5 is a front view thereof;

[58] **Field of Search** D10/78; 324/72.5,
324/67, 115, 133, 145, 146, 156, 555, 556

FIG. 6 is a rear elevational view thereof;

[56] **References Cited**

U.S. PATENT DOCUMENTS

- D. 399,150 10/1998 Fisher et al. D10/78
- D. 400,455 11/1998 Fisher D10/78

FIG. 7 is a perspective view of a second embodiment of an electrical instrument showing our new design;

FIG. 8 is a top elevational view thereof;

FIG. 9 is a bottom elevational view thereof;

FIG. 10 is a right side elevational view thereof, the left side elevational view being a mirror image of FIG. 10.

FIG. 11 is a front elevational view thereof; and,

FIG. 12 is a rear elevational view thereof.

The broken line representations of wires in FIGS. 1-10 and 12 are exemplary and form no part of the invention.

Primary Examiner—Antoine Duval Davis
Attorney, Agent, or Firm—Quarles & Brady

1 Claim, 2 Drawing Sheets

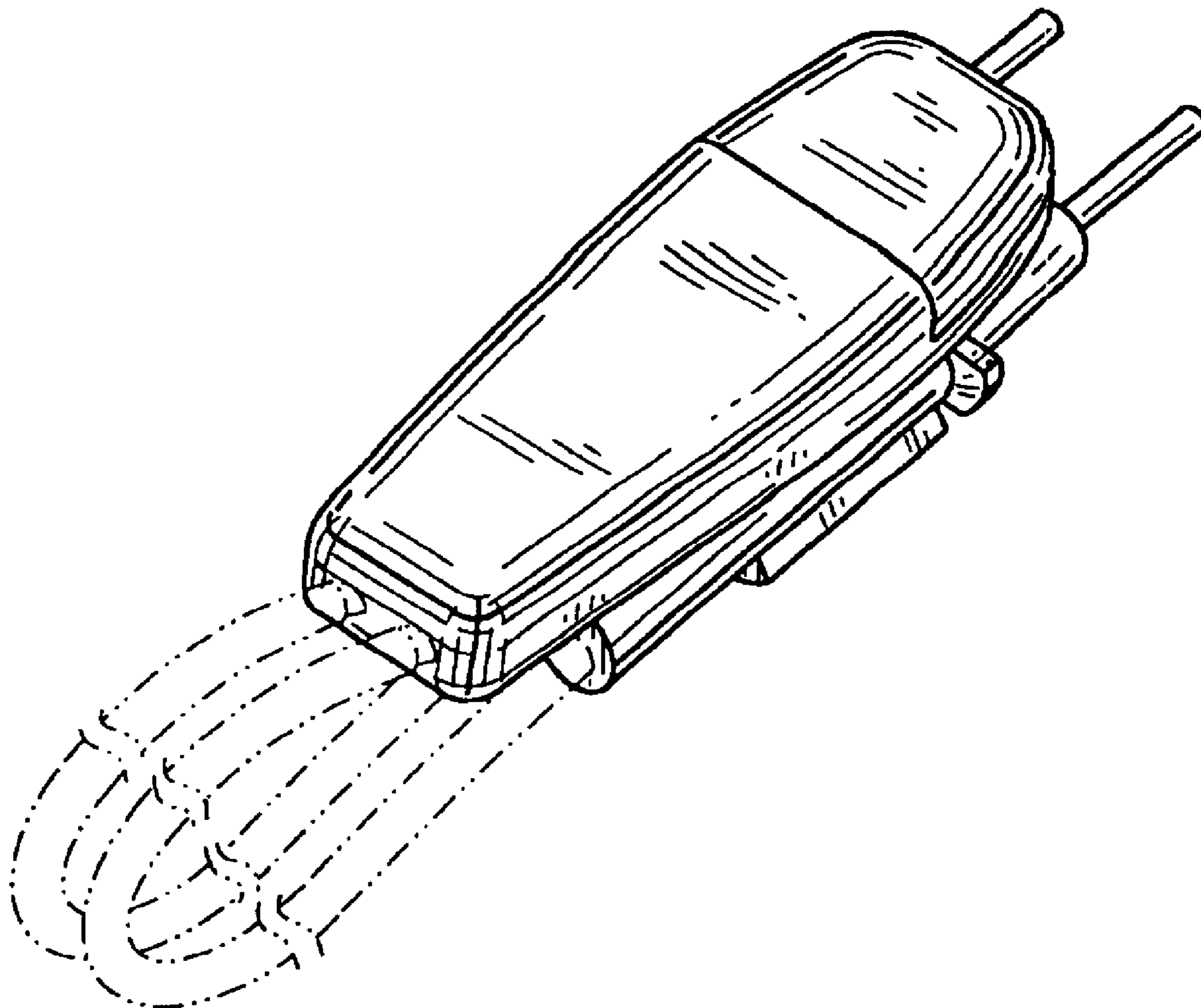


FIG. 1

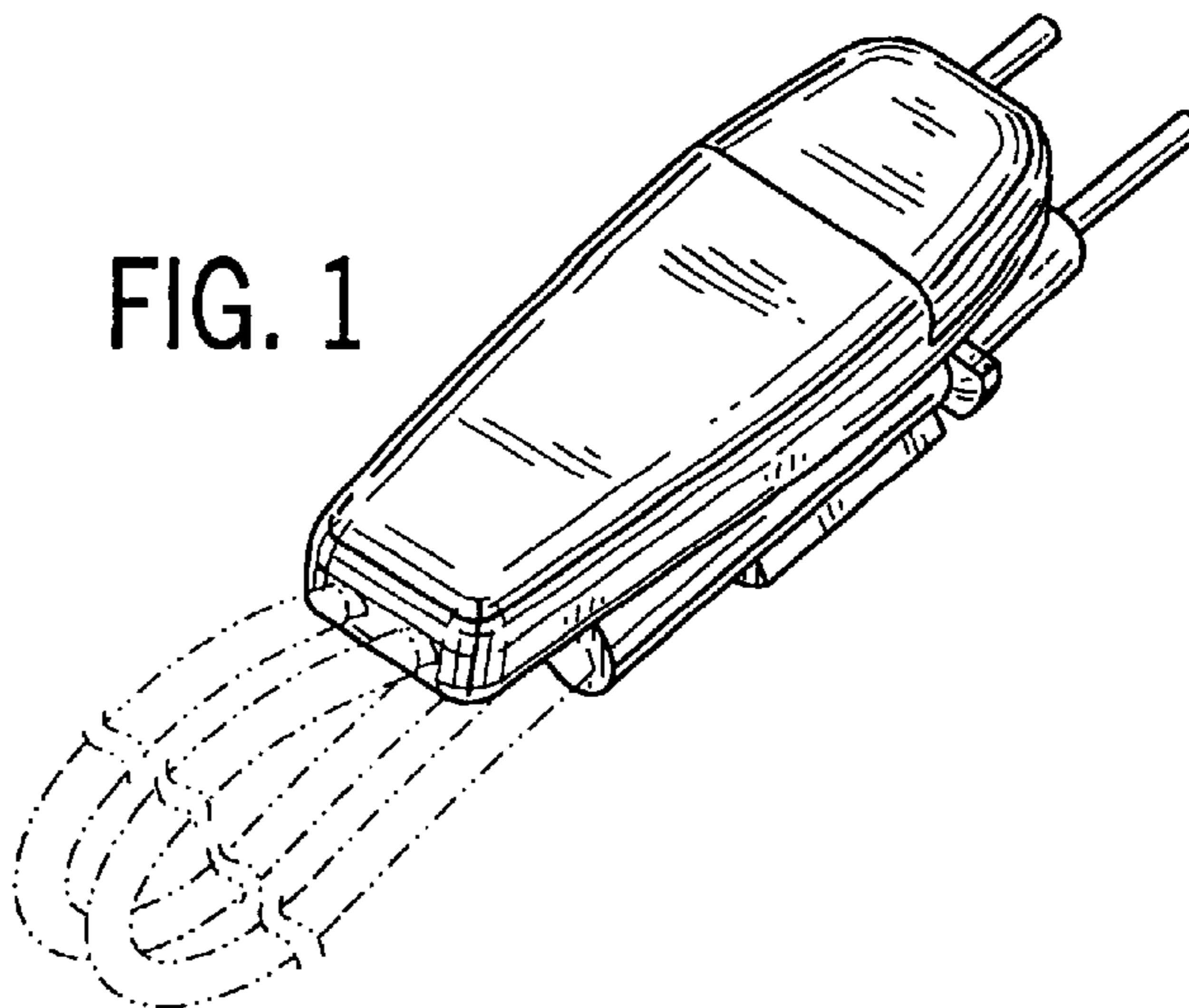


FIG. 2

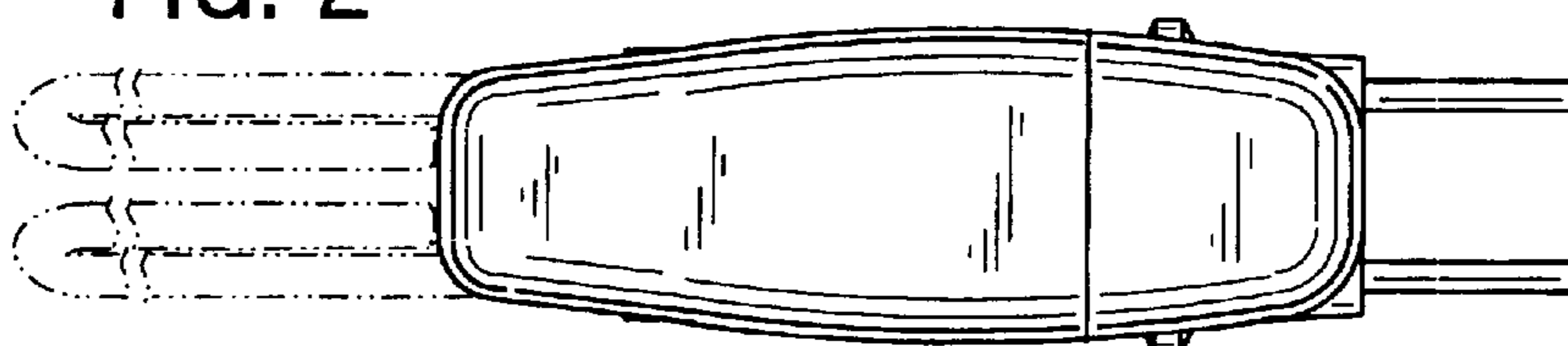


FIG. 3

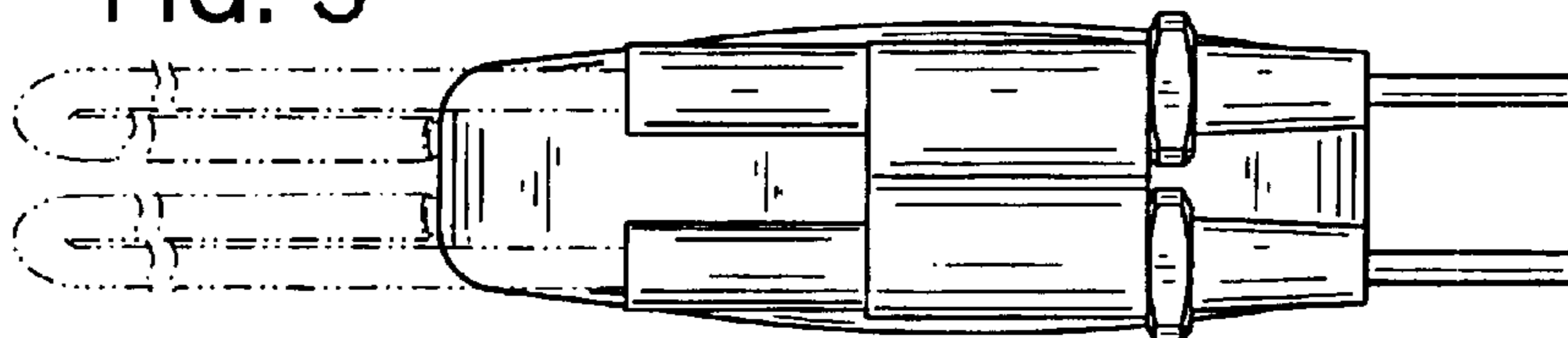


FIG. 4

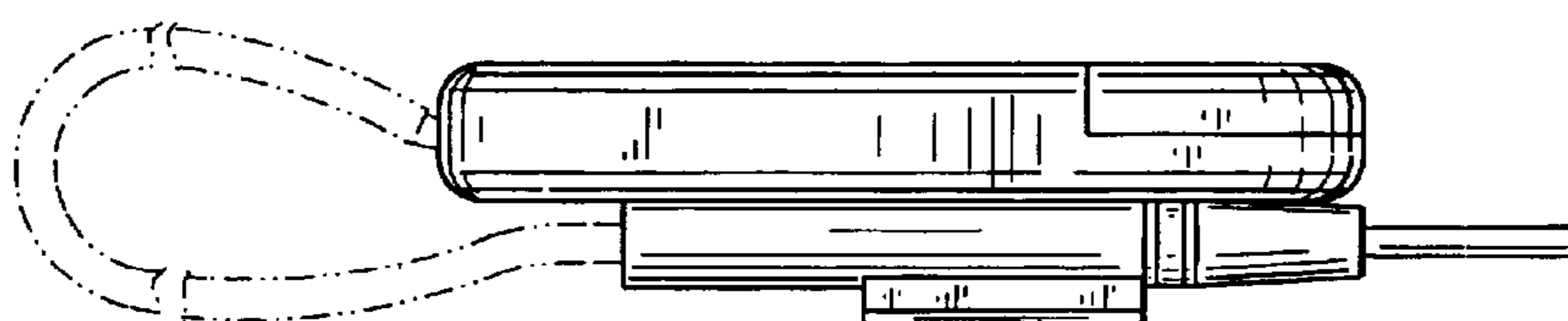


FIG. 5

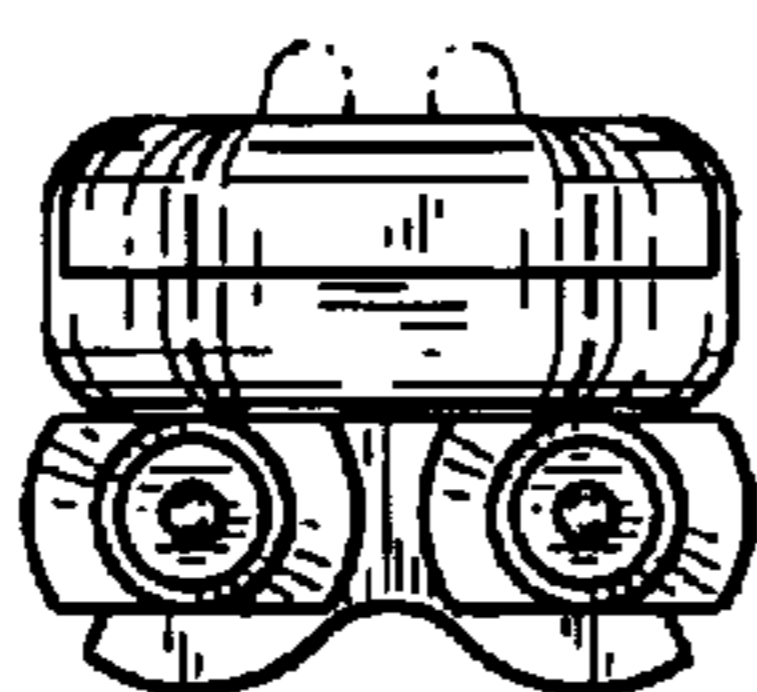


FIG. 6

