



US00D416815S

**United States Patent** [19]  
**Hartzband**

[11] **Patent Number: Des. 416,815**

[45] **Date of Patent: \*\* Nov. 23, 1999**

[54] **COMBINED WATCH AND BRACELET**

[75] Inventor: **Paul Hartzband**, Chappaqua, N.Y.

[73] Assignee: **Hartcase Corp.**, Rockville Centre, N.Y.

[\*\*] Term: **14 Years**

[21] Appl. No.: **29/098,910**

[22] Filed: **Jan. 8, 1999**

[51] **LOC (6) Cl.** ..... **10-02**

[52] **U.S. Cl.** ..... **D10/32**

[58] **Field of Search** ..... D10/1-40, 122-132;  
D11/3-25; 63/1.1, 3, 5, 11; 368/276-277,  
280-282, 285

[56] **References Cited**

**U.S. PATENT DOCUMENTS**

D. 236,592	9/1975	Portmann	.....	D10/32
D. 241,630	9/1976	Burke	.....	D10/32
D. 330,167	10/1992	Vincent	.....	D10/32
D. 364,098	11/1995	Giardiello	.....	D10/32
D. 403,597	1/1999	Hartzband	.....	D10/32

*Primary Examiner*—Nelson C. Holtje  
*Attorney, Agent, or Firm*—James A. Quinton

[57] **CLAIM**

The ornamental design for a combined watch and bracelet, as shown and described.

**DESCRIPTION**

FIG. 1 is a front view of combined watch and bracelet according to the invention;

FIG. 2 is a right side view of the combined watch and bracelet according to the invention.

FIG. 3 is a top plan view of the combined watch and bracelet according to the invention;

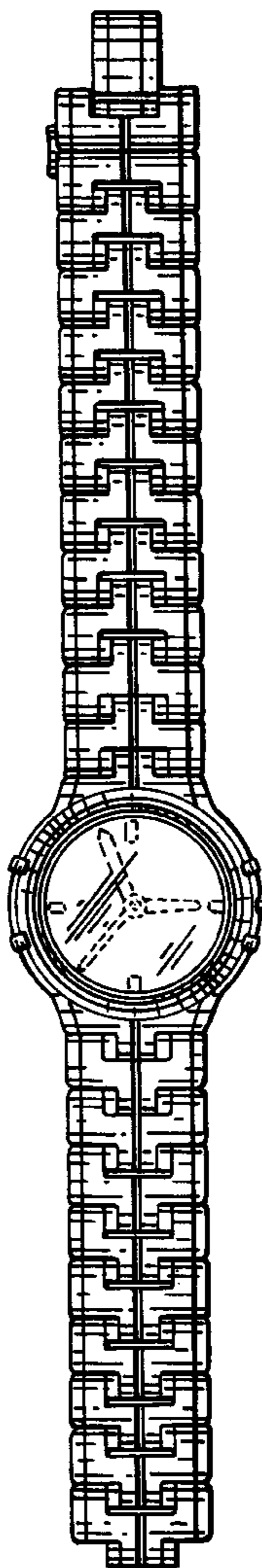
FIG. 4 is a left side view of the combined watch and bracelet according to the invention;

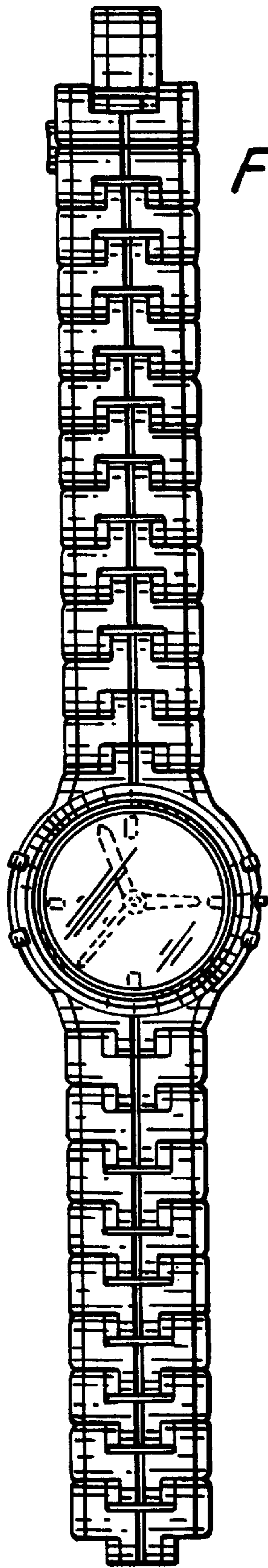
FIG. 5 is a rear view of the combined watch and bracelet according to the invention; and,

FIG. 6 is a bottom plan view of the combined watch and bracelet according to the invention.

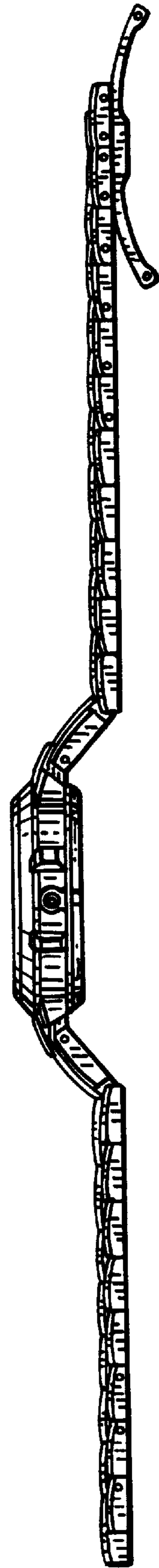
The broken lines are for environmental purposes only and form no part of the claimed design.

**1 Claim, 2 Drawing Sheets**

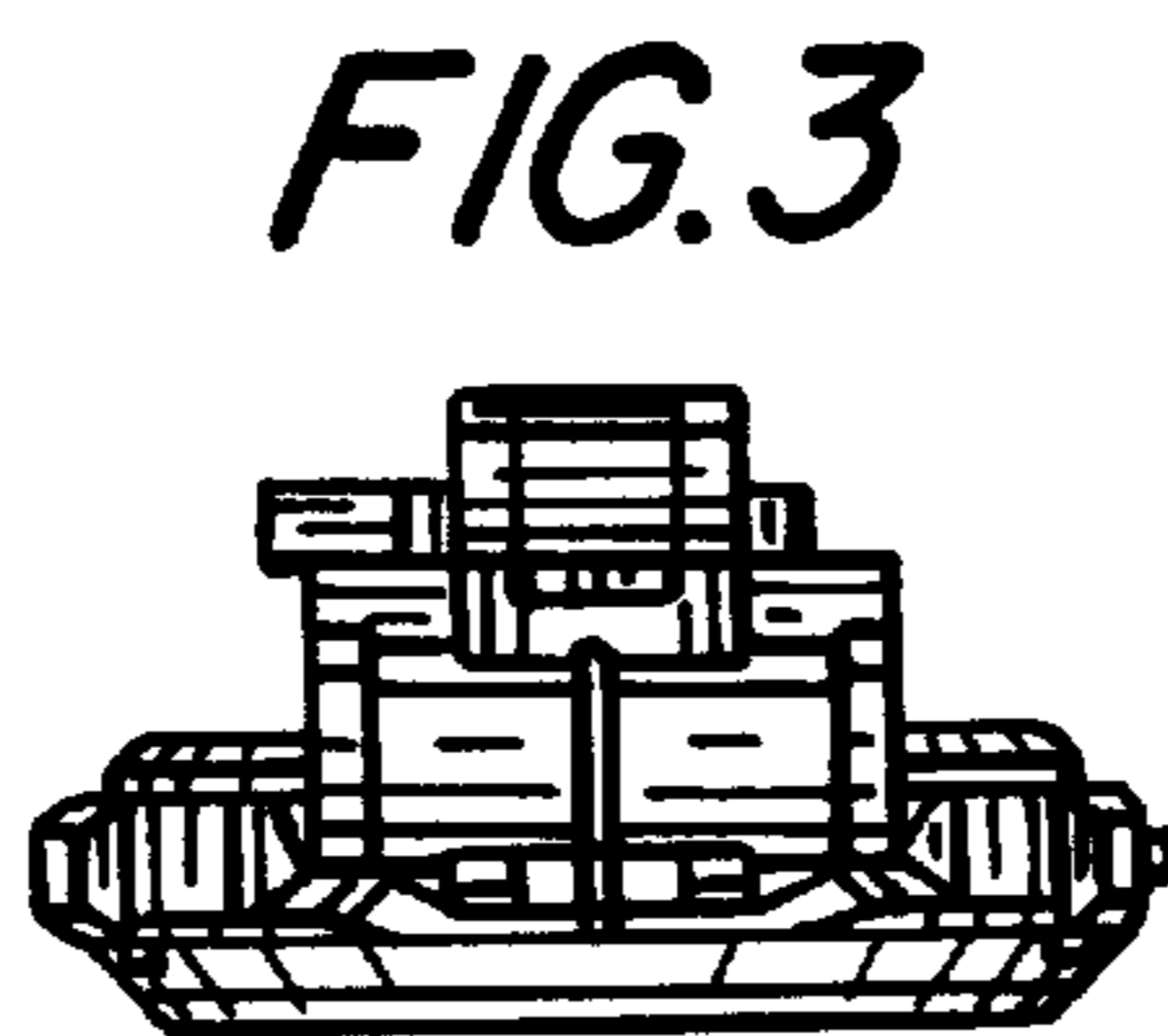




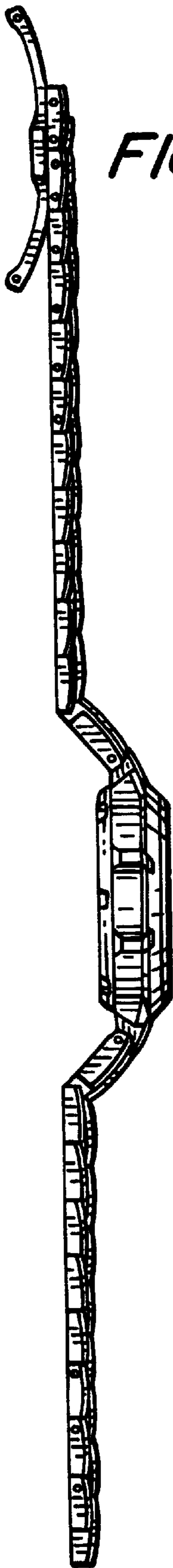
*FIG. 1*



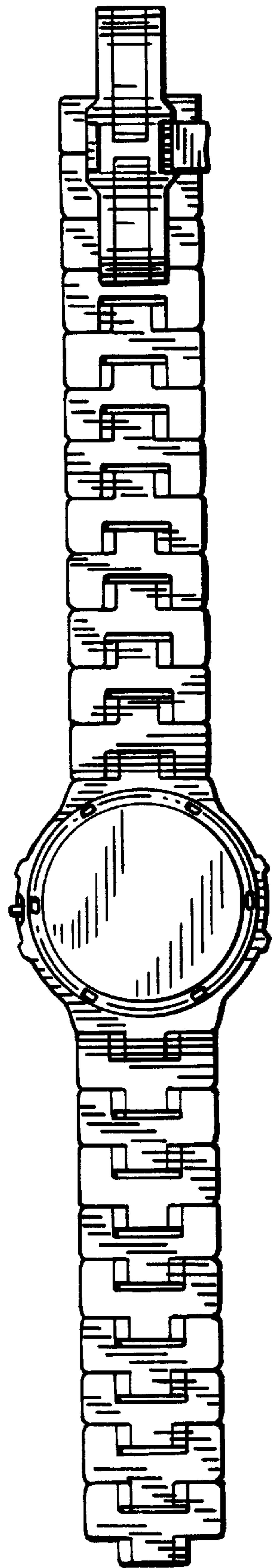
*FIG. 2*



*FIG. 3*



*FIG. 4*



*FIG. 5*



*FIG. 6*