



US00D416814S

# United States Patent [19] Welsh

[11] Patent Number: Des. 416,814

[45] Date of Patent: \*\* Nov. 23, 1999

[54] RING HAVING A TIME PIECE MOUNTED WITHIN ITS CENTRAL FINGER OPENING

5,005,161 4/1991 Boilen ..... 368/295  
5,392,261 2/1995 Hsu ..... 368/281

[76] Inventor: Nancy Lynn Welsh, 2586 Robert Trent Jones Dr. Apt. 1117, Orlando, Fla. 32835

Primary Examiner—Nelson C. Holtje  
Attorney, Agent, or Firm—Duane, Morris & Heckscher

[\*\*] Term: 14 Years

[57] CLAIM

[21] Appl. No.: 29/088,162

The ornamental design of a ring having a time piece mounted within its central finger opening, as shown and described.

[22] Filed: May 15, 1998

### DESCRIPTION

[51] LOC (6) Cl. .... 10-02

[52] U.S. Cl. .... D10/31; D11/2

[58] Field of Search ..... D10/1-40, 122-132; 368/276-277, 285, 316-317, 10; D11/2

FIG. 1 is an exploded perspective view showing a time piece which is inserted inside the finger opening of a ring.

FIG. 2 is a side elevational view showing the time piece mounted in the finger opening of the ring.

FIG. 3 is a front elevational view showing the time piece mounted inside the finger opening of the ring.

FIG. 4 is a left elevational view of the ring which has the time piece mounted within its finger opening.

FIG. 5 is a right elevational view of the ring which has the time piece mounted within its finger opening.

FIG. 6 is a rear elevation view of the ring which has the time piece mounted within its finger opening; and,

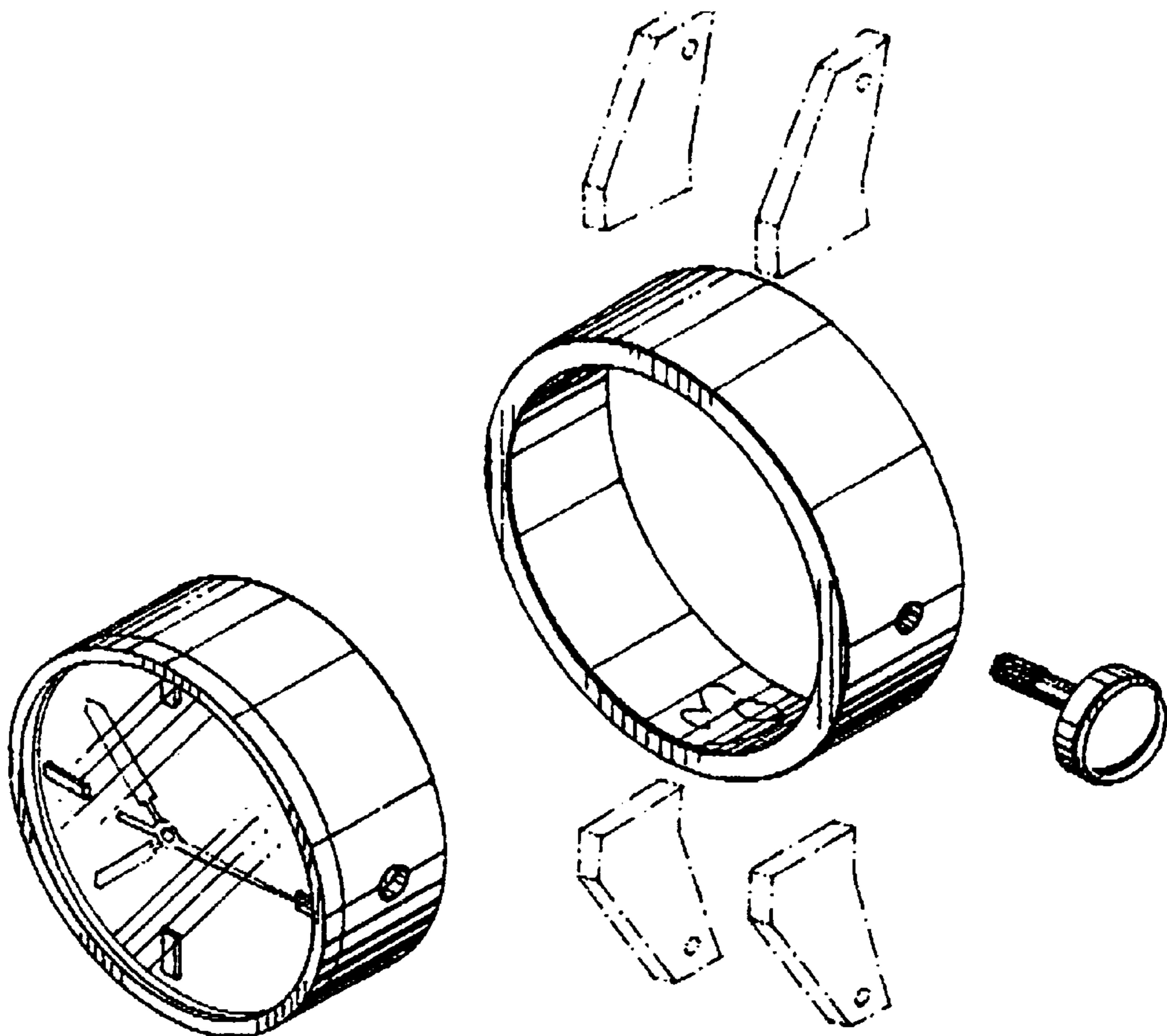
FIG. 7 is a bottom side elevational of the ring which has the time piece mounted within its finger opening.

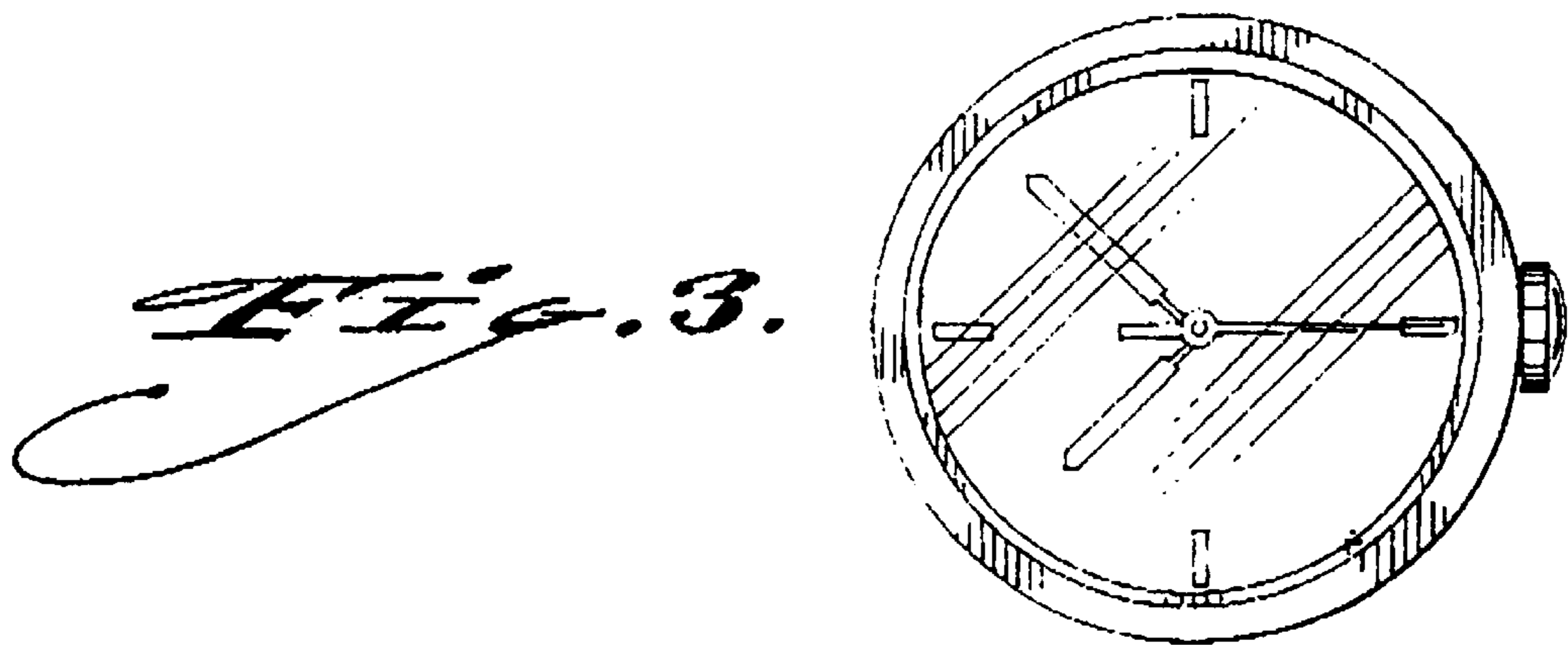
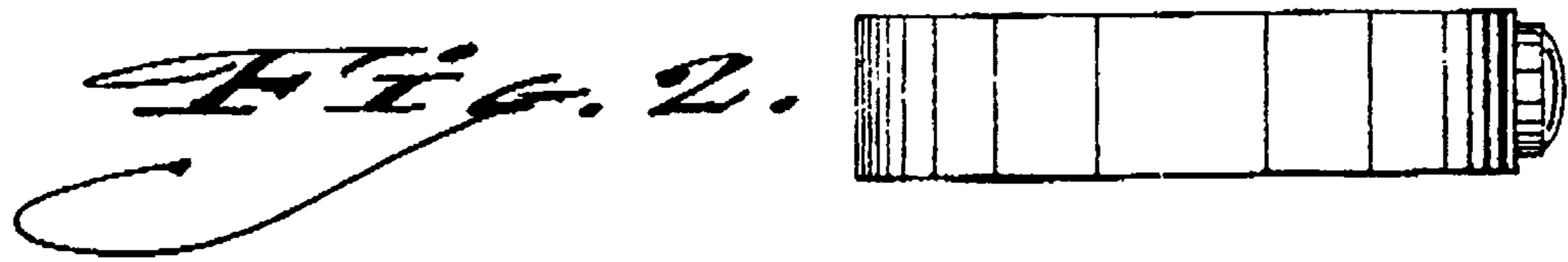
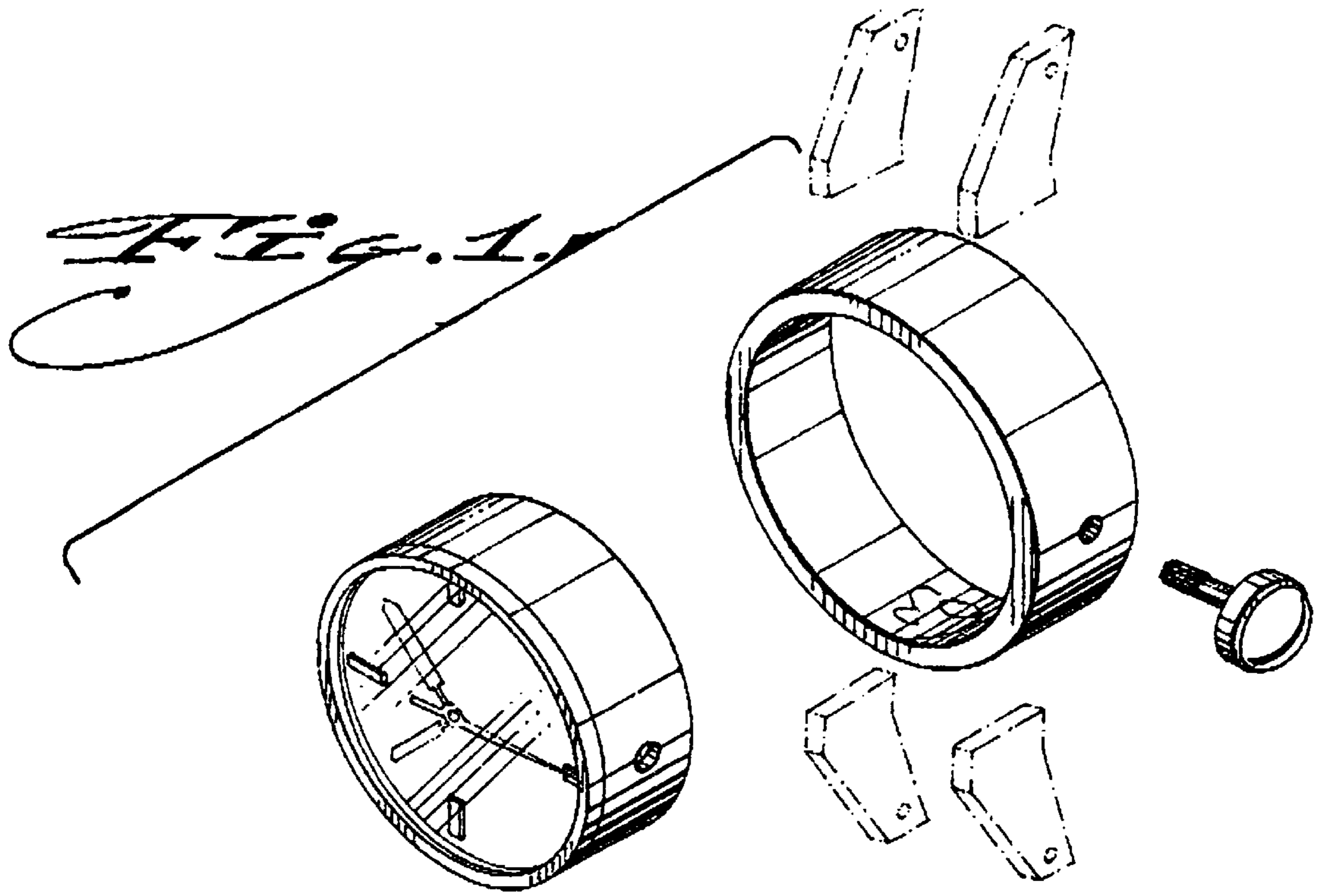
### [56] References Cited

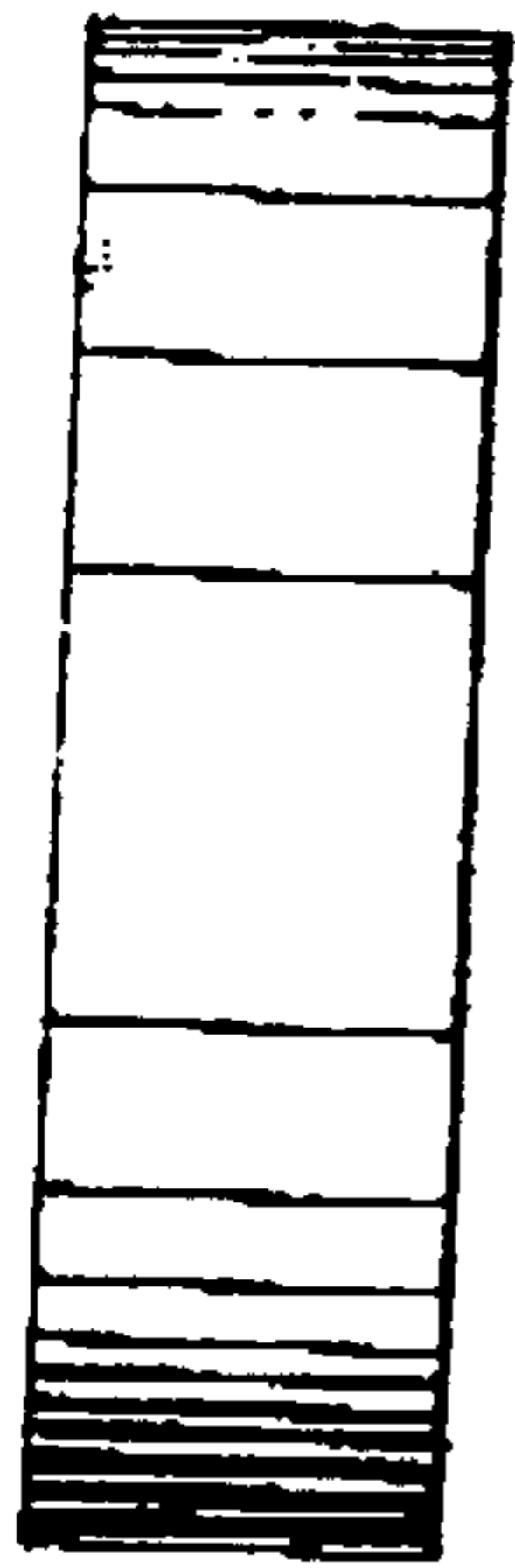
#### U.S. PATENT DOCUMENTS

D. 91,086	11/1933	Rainbault .	
D. 115,553	7/1939	Harris .	
D. 262,527	1/1982	Goldberg .....	D11/2
D. 377,762	2/1997	Chien .....	D10/22
D. 395,255	6/1998	Kothari .....	D11/26
1,618,452	2/1927	Lehr .	
2,629,981	3/1953	Melik-Minassiantz .	
3,386,239	6/1968	Shiffman .	
4,525,077	6/1985	Ketner .....	368/77

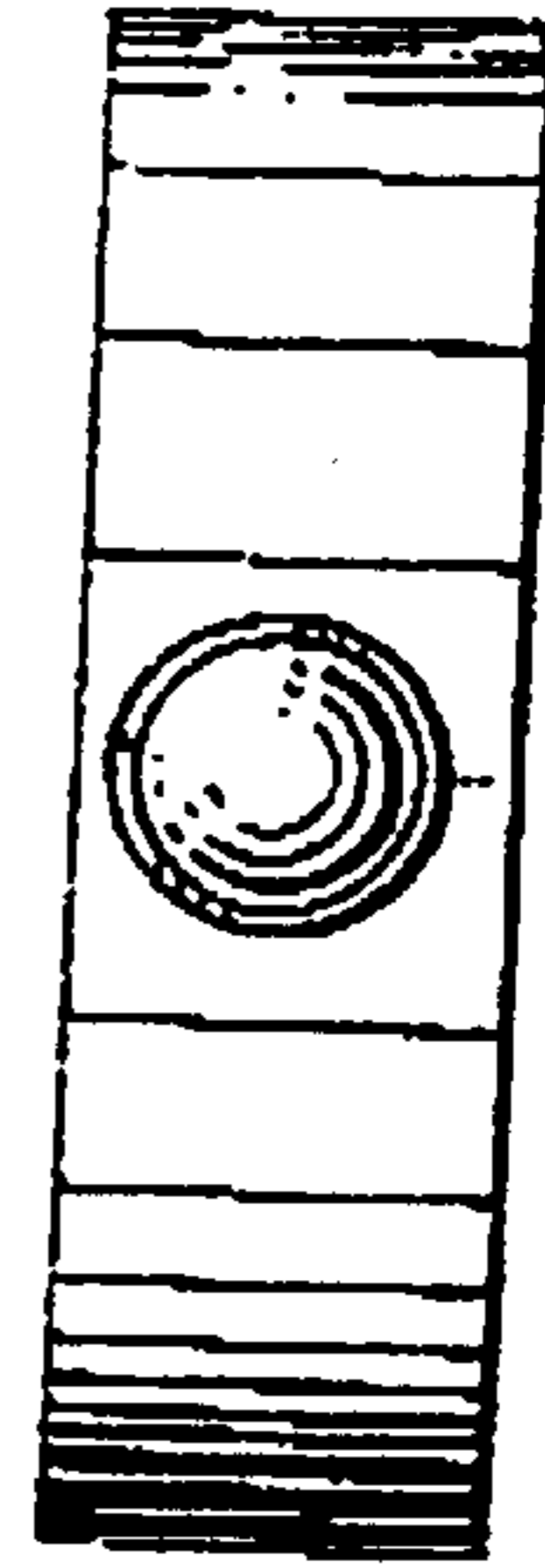
1 Claim, 2 Drawing Sheets



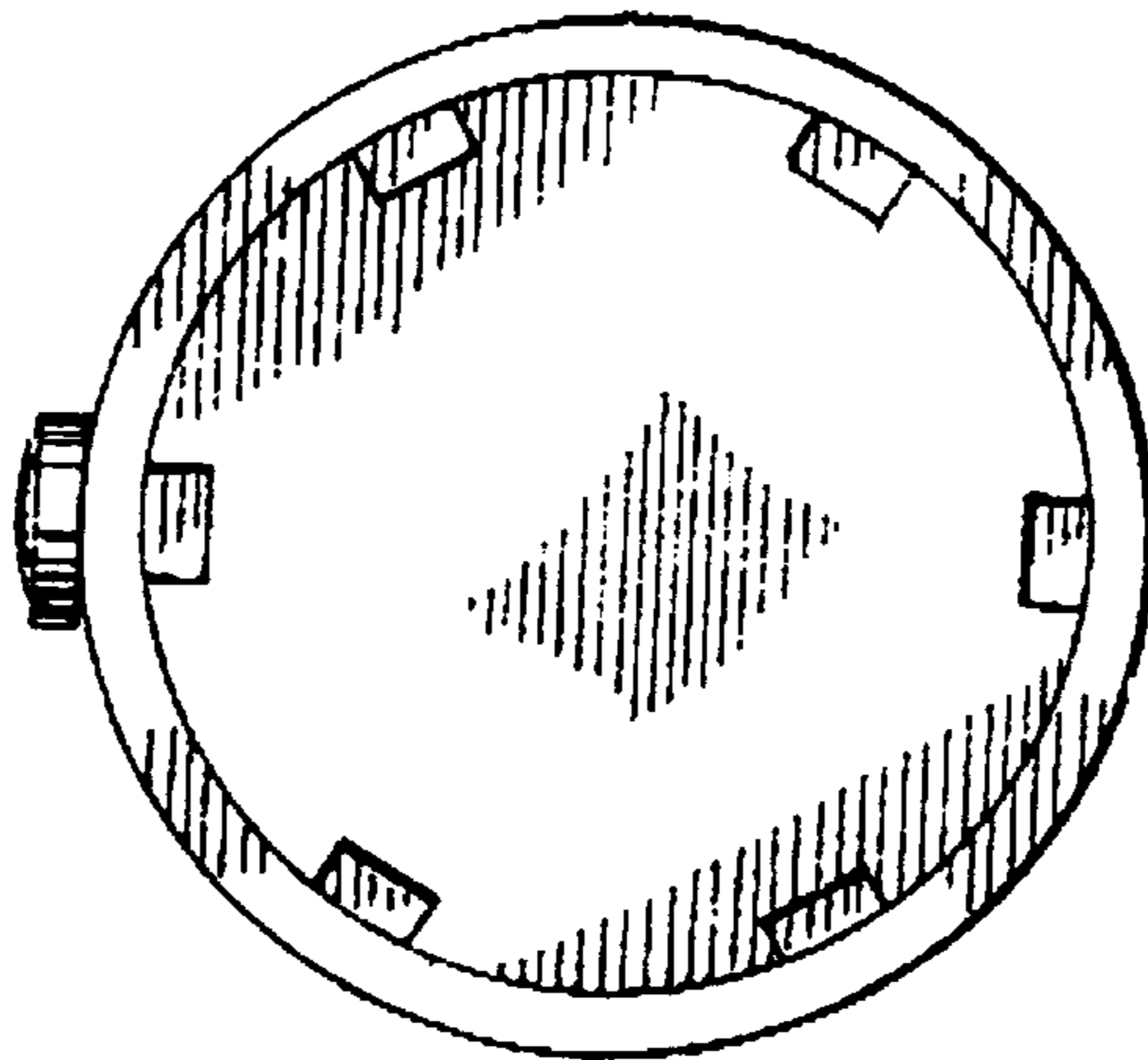




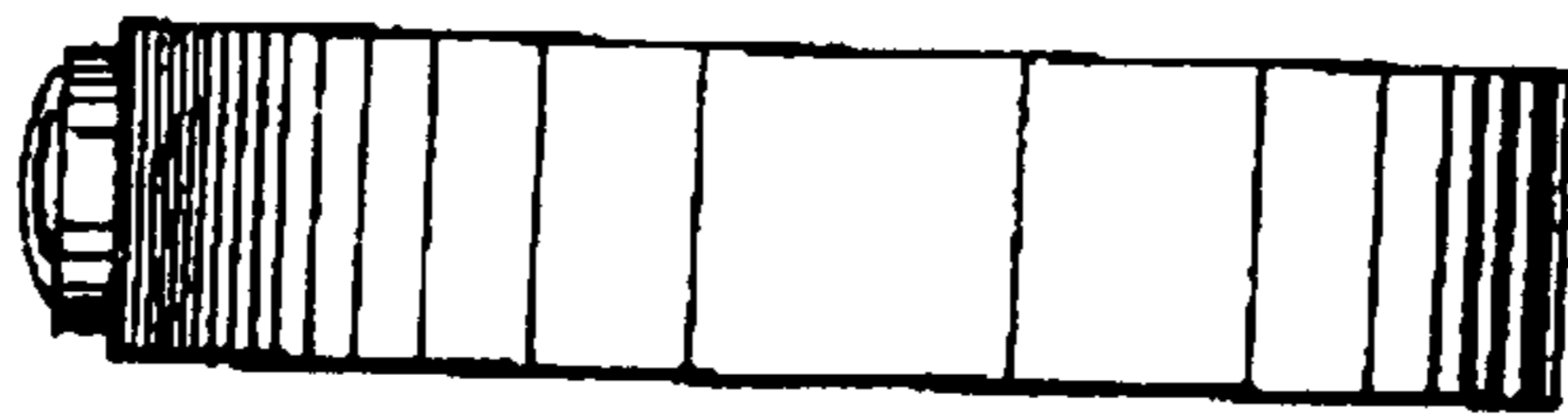
*Fig. 4.*



*Fig. 5.*



*Fig. 6.*



*Fig. 7.*