



US00D416812S

United States Patent [19]
Houlihan et al.

[11] **Patent Number: Des. 416,812**
[45] **Date of Patent: ** Nov. 23, 1999**

[54] **WATCH CASING AND BEZEL**

Attorney, Agent, or Firm—Arthur G. Schaier

[75] Inventors: **John T. Houlihan**, Southbury; **David Quinlan**, Marion, both of Conn.

[57] **CLAIM**

The ornamental design for a “watch casing and bezel,” as shown and described.

[73] Assignee: **Timex Corporation**, Middlebury, Conn.

[**] Term: **14 Years**

DESCRIPTION

[21] Appl. No.: **29/101,622**

FIG. 1 is a perspective view of a watch casing and bezel showing our new design;

[22] Filed: **Mar. 8, 1999**

FIG. 2 is a left side elevational view thereof;

[51] **LOC (6) Cl.** **10-02**

FIG. 3 is a top plan view thereof;

[52] **U.S. Cl.** **D10/30; D10/38**

FIG. 4 is a right side elevational view thereof;

[58] **Field of Search** D10/1-40, 122-132;
368/280-282, 276-277, 28-30, 285, 239-242,
82-84, 41-44

FIG. 5 is a front elevational view thereof;

FIG. 6 is a rear elevational view thereof;

[56] **References Cited**

FIG. 7 is a bottom plan view;

U.S. PATENT DOCUMENTS

FIG. 8 is a perspective view of a watch casing and bezel in accordance with an alternate embodiment of our invention;

D. 172,992	9/1954	Schwankhaus	D10/30
D. 183,732	10/1958	Fedor	D10/39
D. 287,341	12/1986	Grimes	D10/30
D. 325,353	4/1992	Meyer	D10/39
D. 342,454	12/1993	Weber	D10/30
D. 360,589	7/1995	Houlihan	D10/30
D. 373,539	9/1996	Droz	D10/30
D. 382,492	8/1997	Houlihan	D10/30
D. 386,694	11/1997	Houlihan	D10/30
D. 392,903	3/1998	Yerby et al.	D10/30
D. 402,210	12/1998	Sang	D10/30
D. 405,702	2/1999	Ramos et al.	D10/30
5,577,007	11/1996	Houlihan	368/282

FIG. 9 is a left side elevational view of this alternate embodiment;

FIG. 10 is a top plan view of this alternate embodiment;

FIG. 11 is a right side elevational view of this alternate embodiment;

FIG. 12 is a front elevational view of this alternate embodiment;

FIG. 13 is a rear elevational view of this alternate embodiment; and,

FIG. 14 is a bottom plan view of this alternate embodiment.

OTHER PUBLICATIONS

Polar Heart Rate Monitors—1997 Catalog.
Freestyle Performance Timing—Fall 1997.

The broken line showing of buttons is for illustrative purposes only and forms no part of the claimed design.

Primary Examiner—Nelson C. Holtje

1 Claim, 4 Drawing Sheets

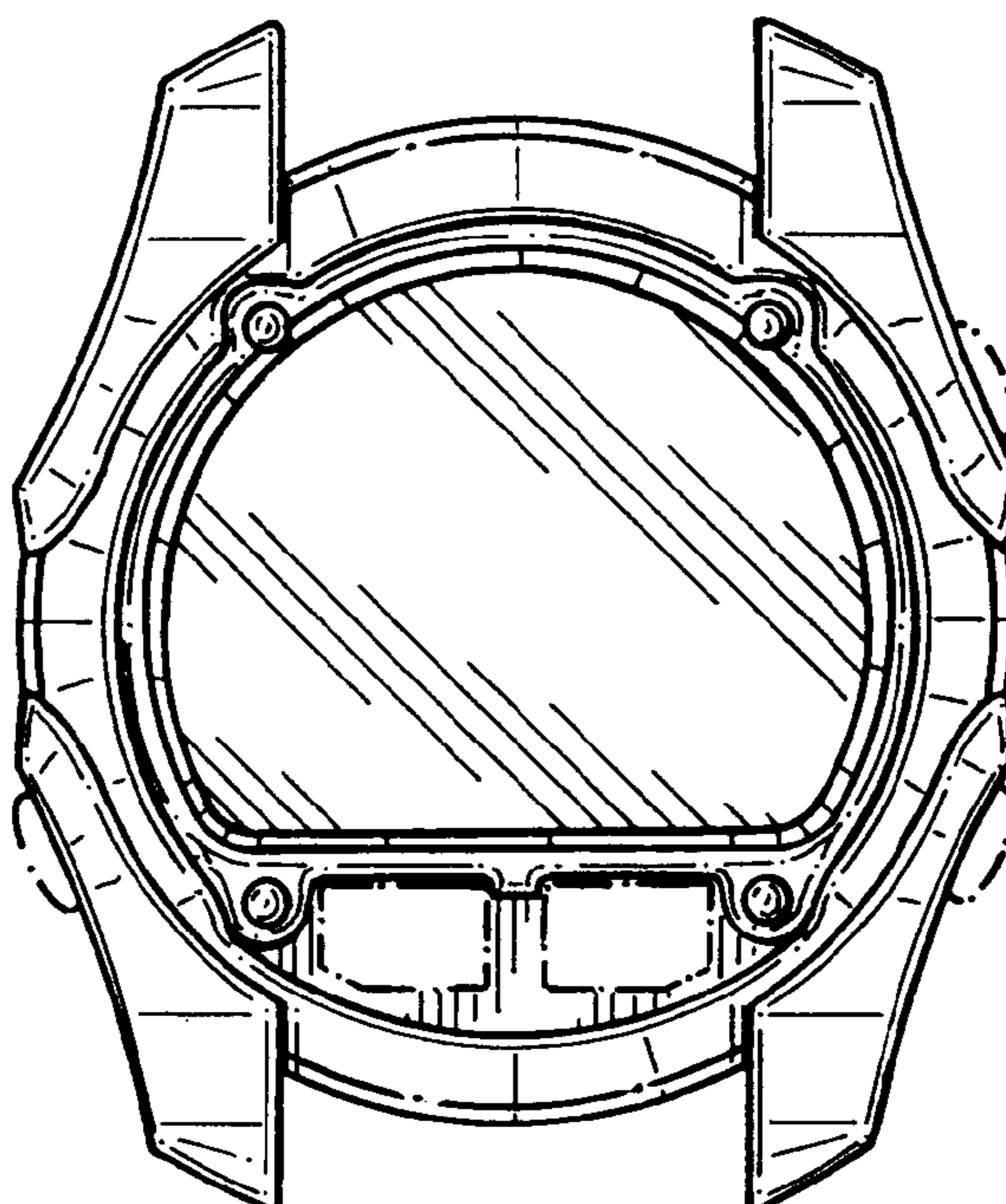


FIG. 1

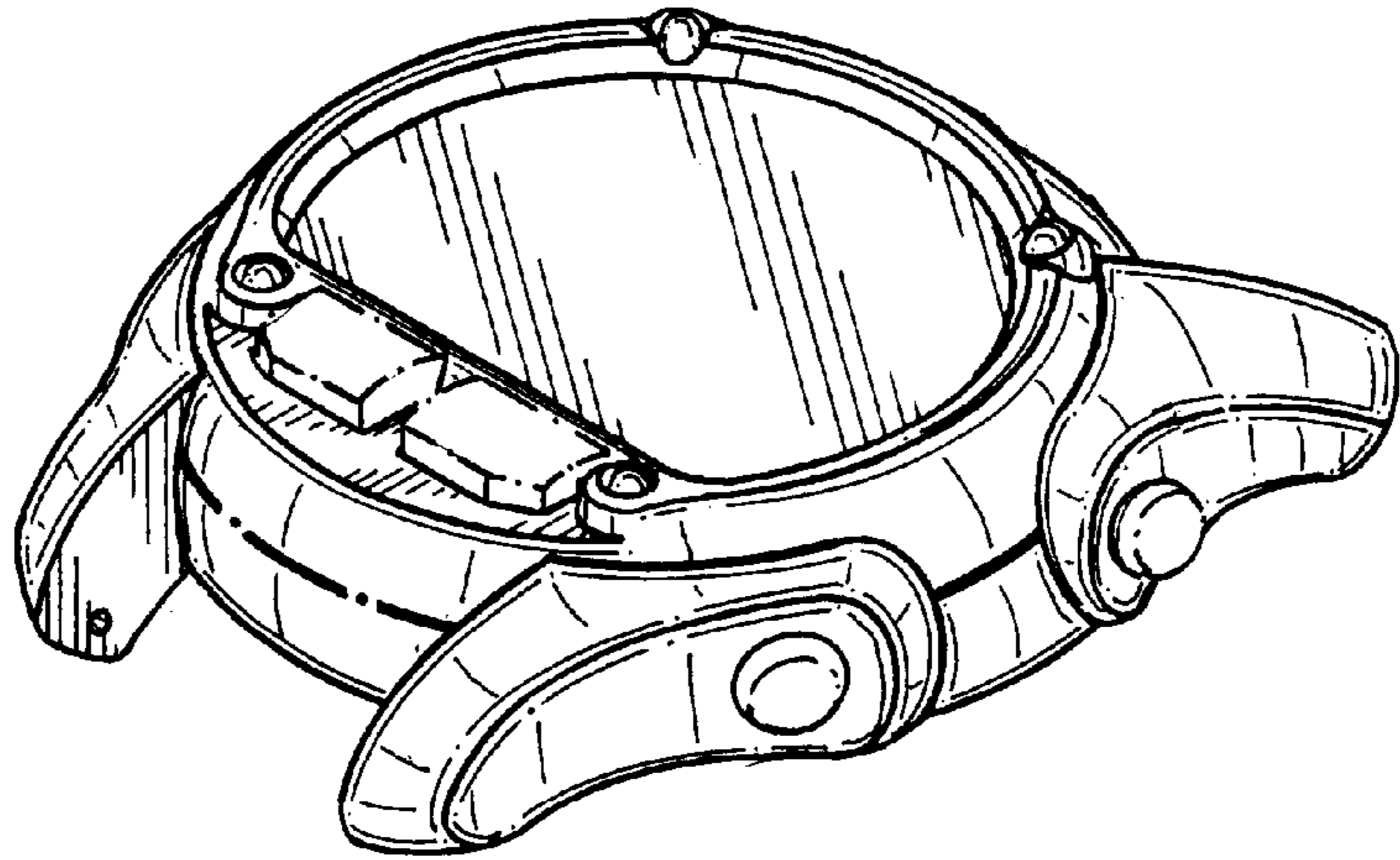


FIG. 7

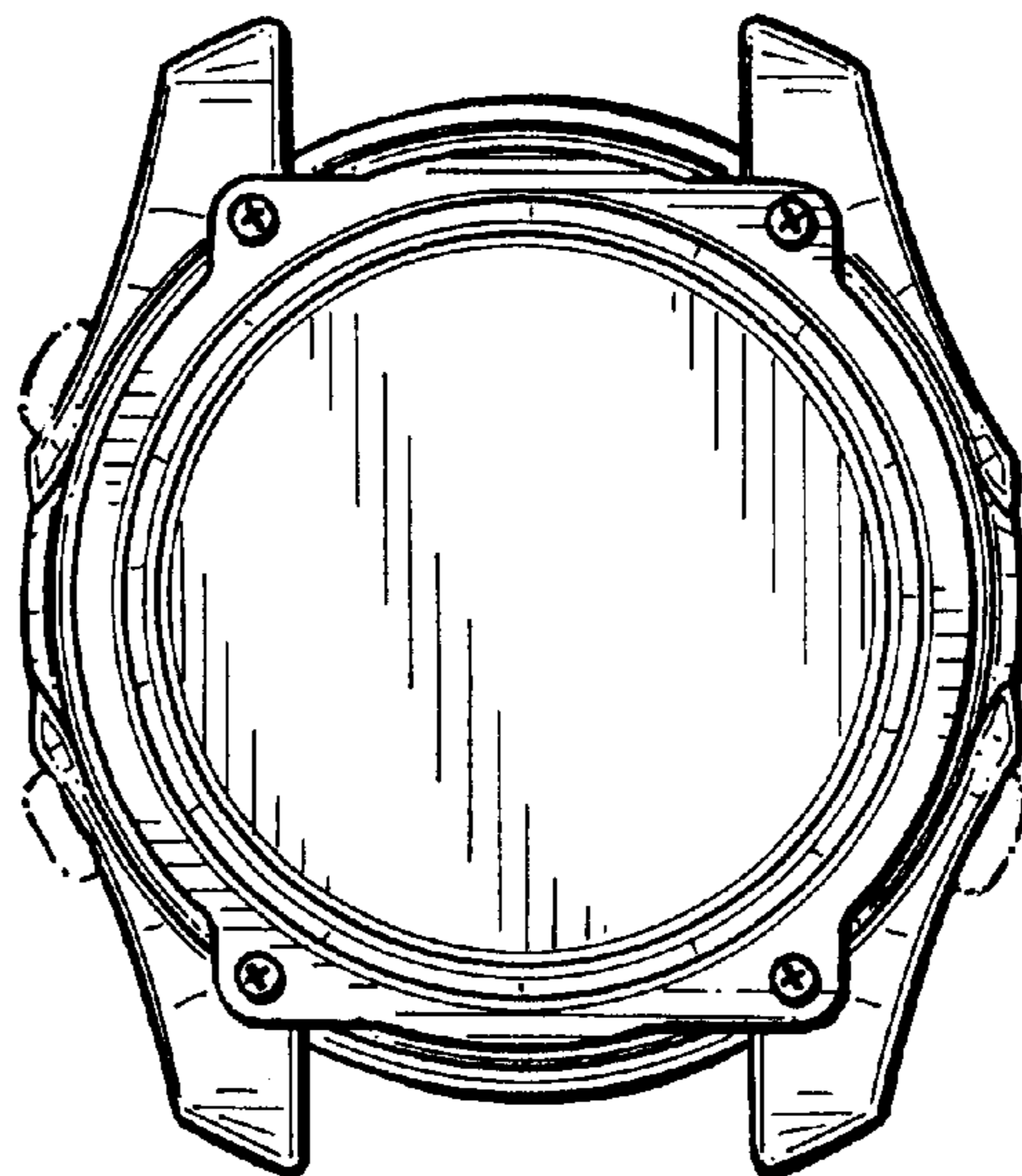


FIG. 4

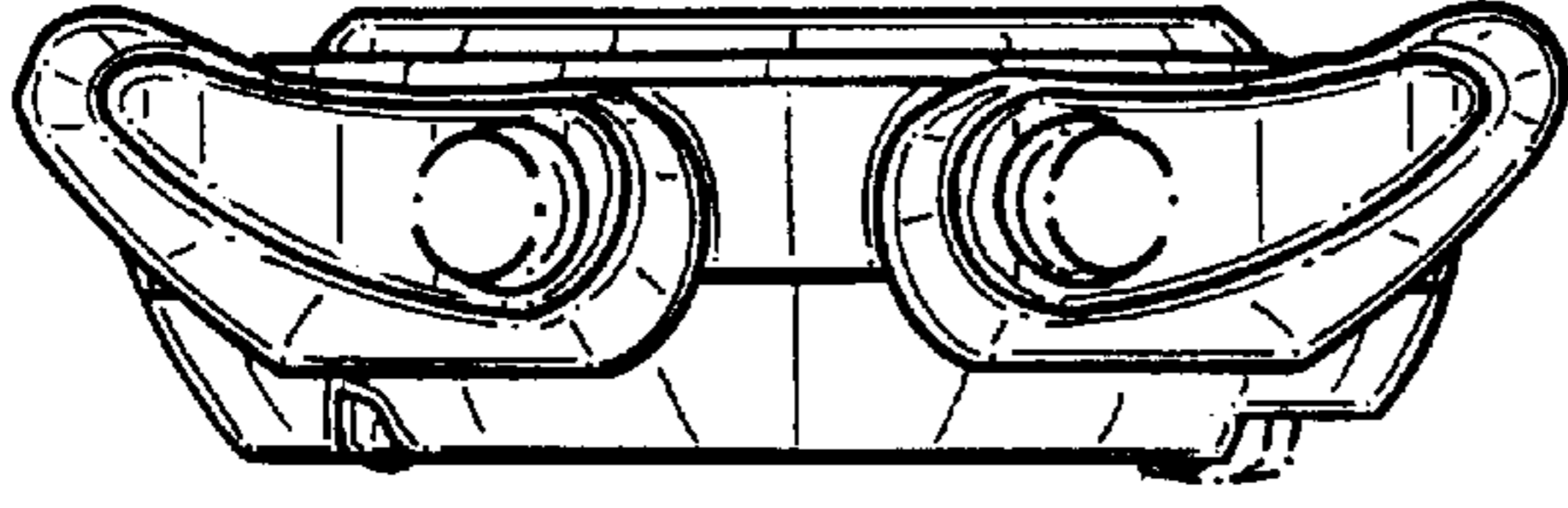


FIG. 3

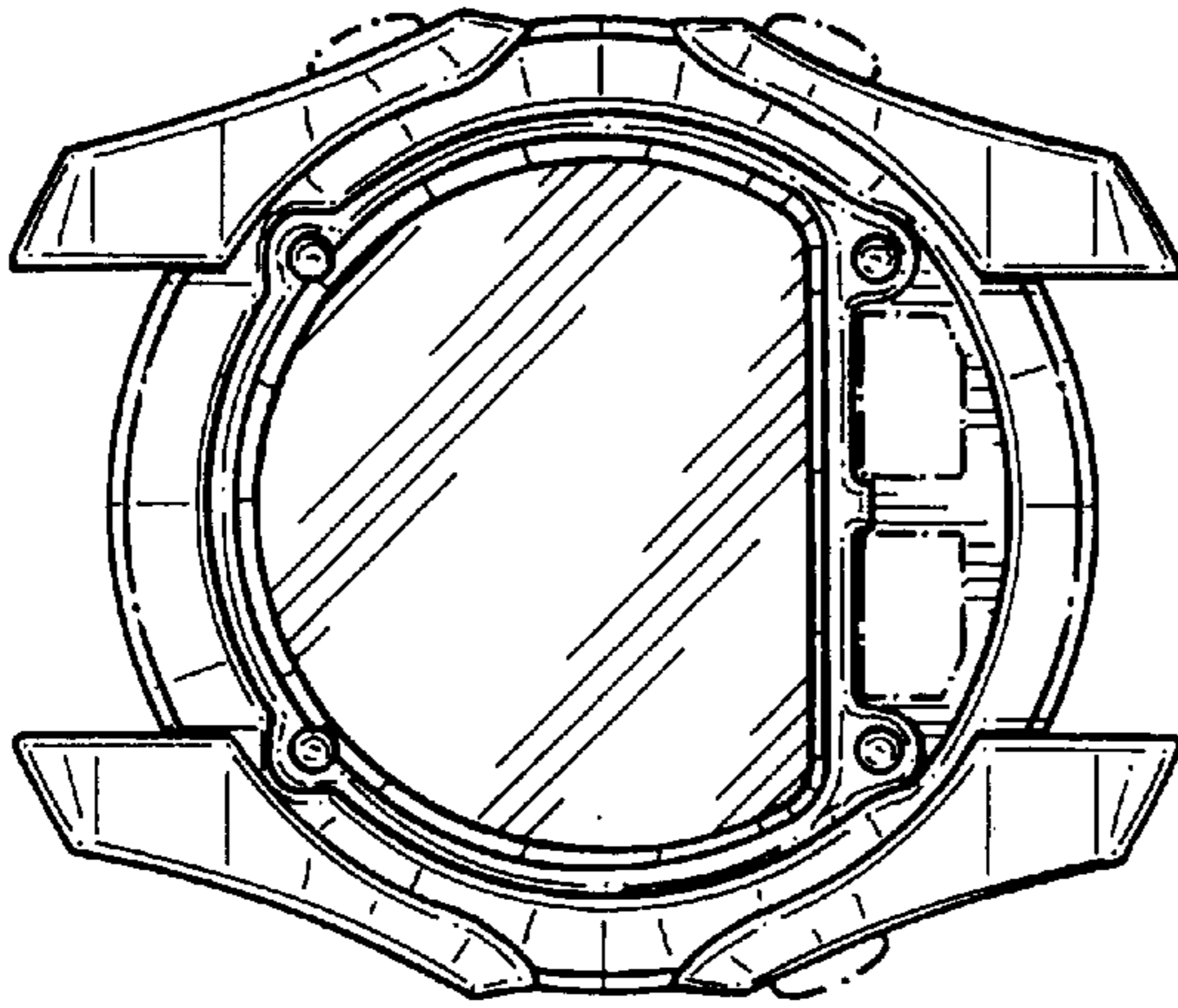


FIG. 2

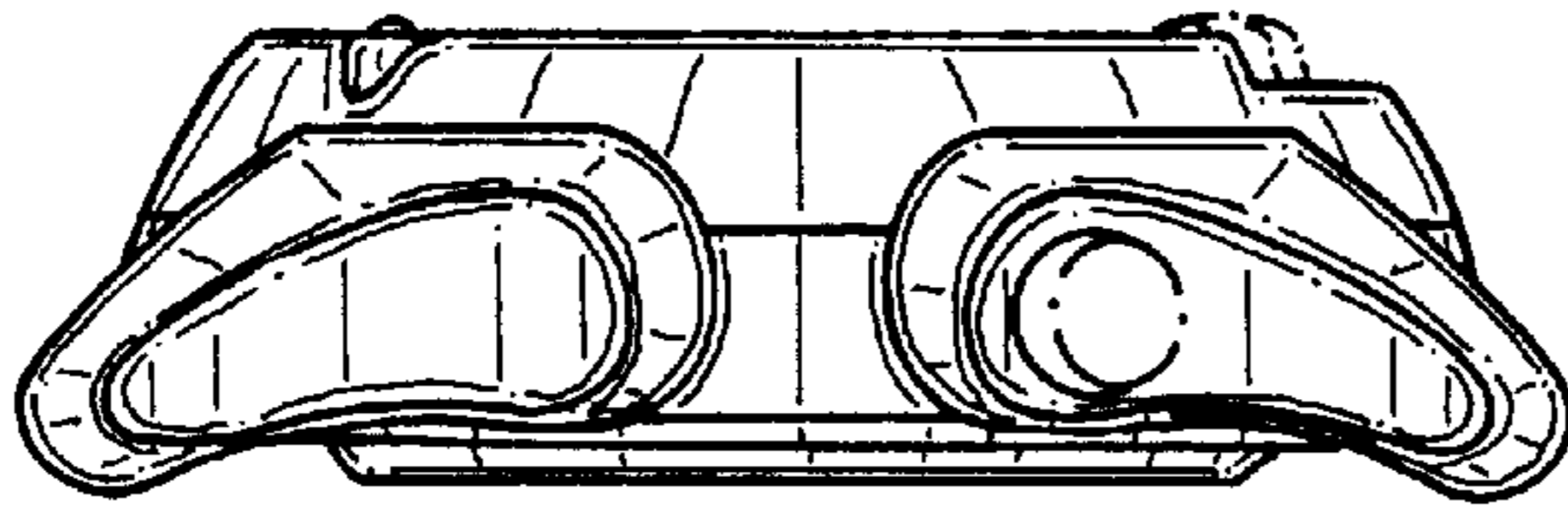


FIG. 6

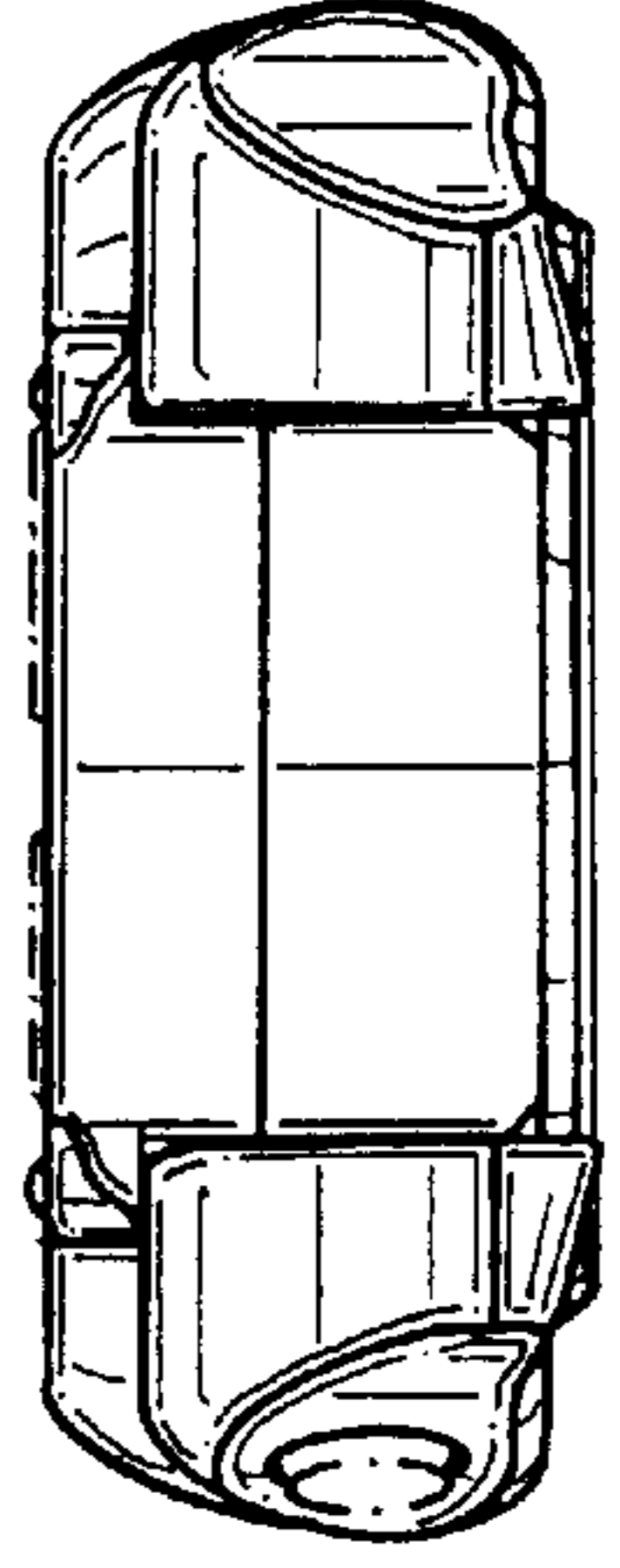


FIG. 5

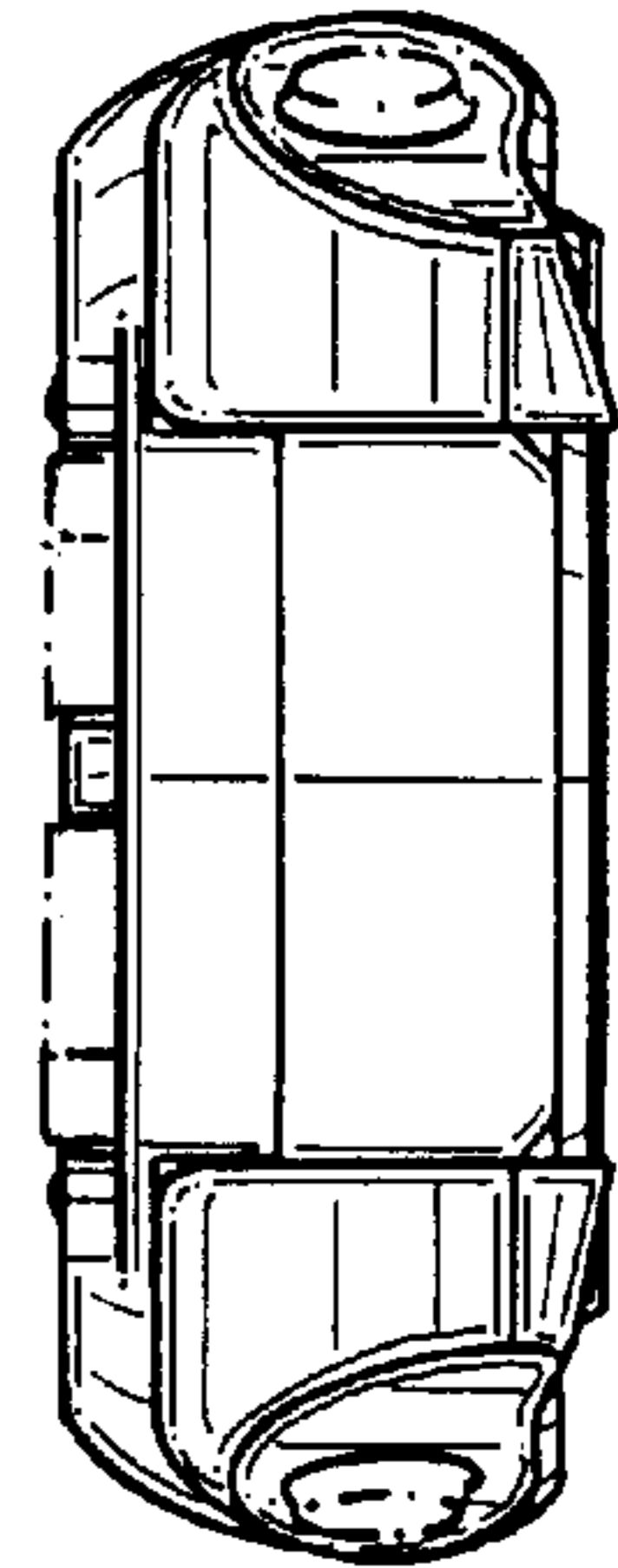


FIG. 8

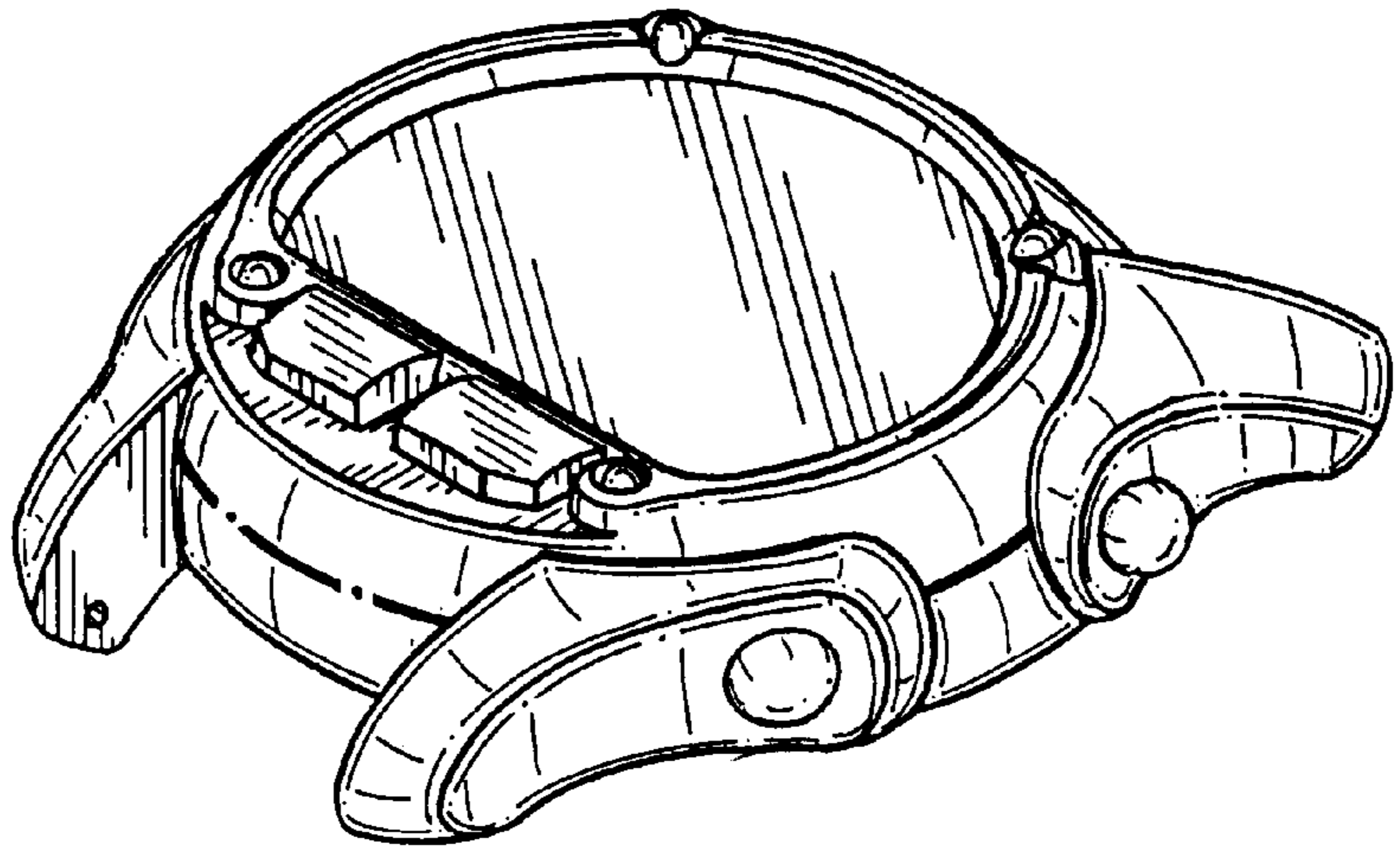


FIG. 14

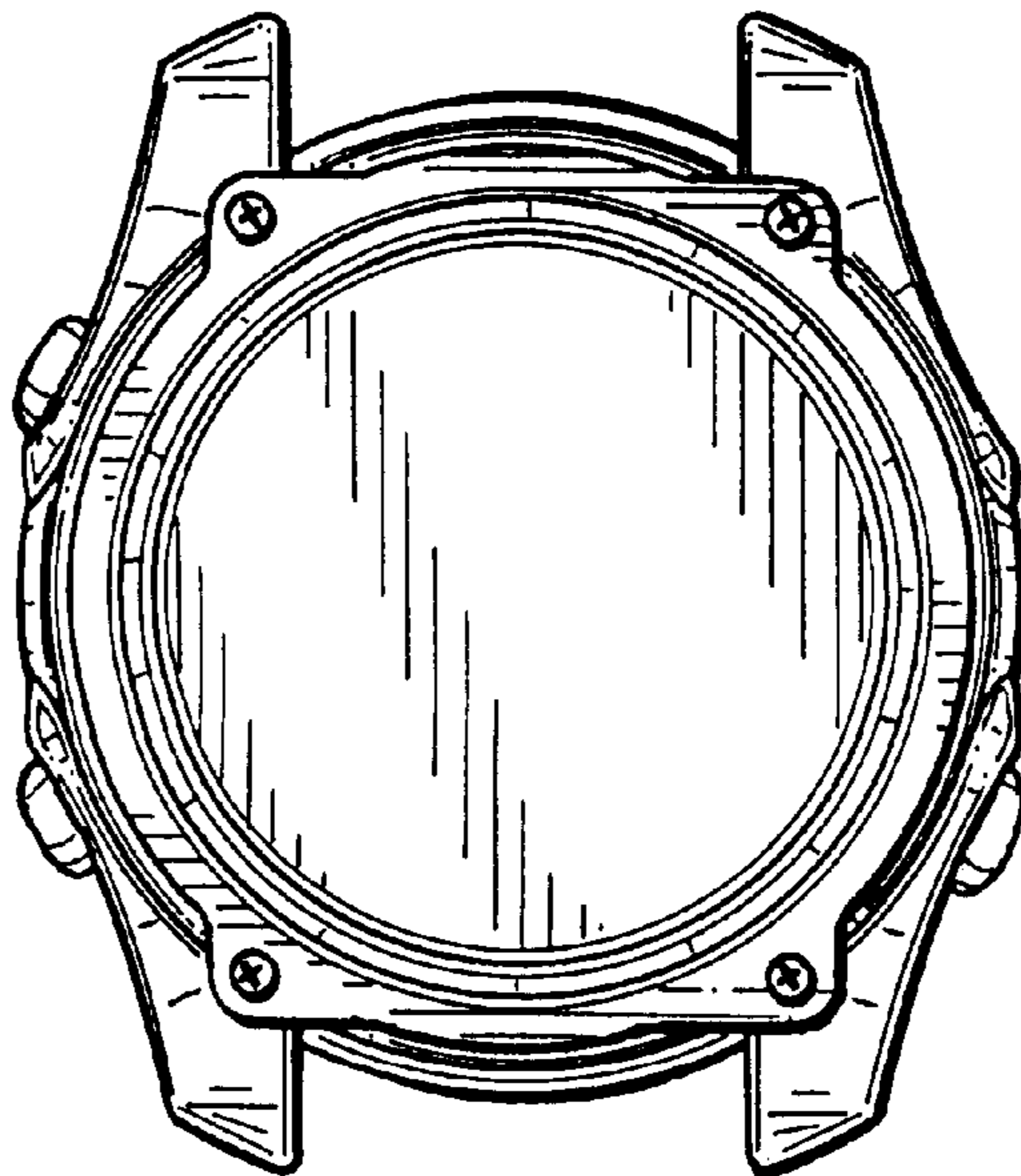


FIG. 9

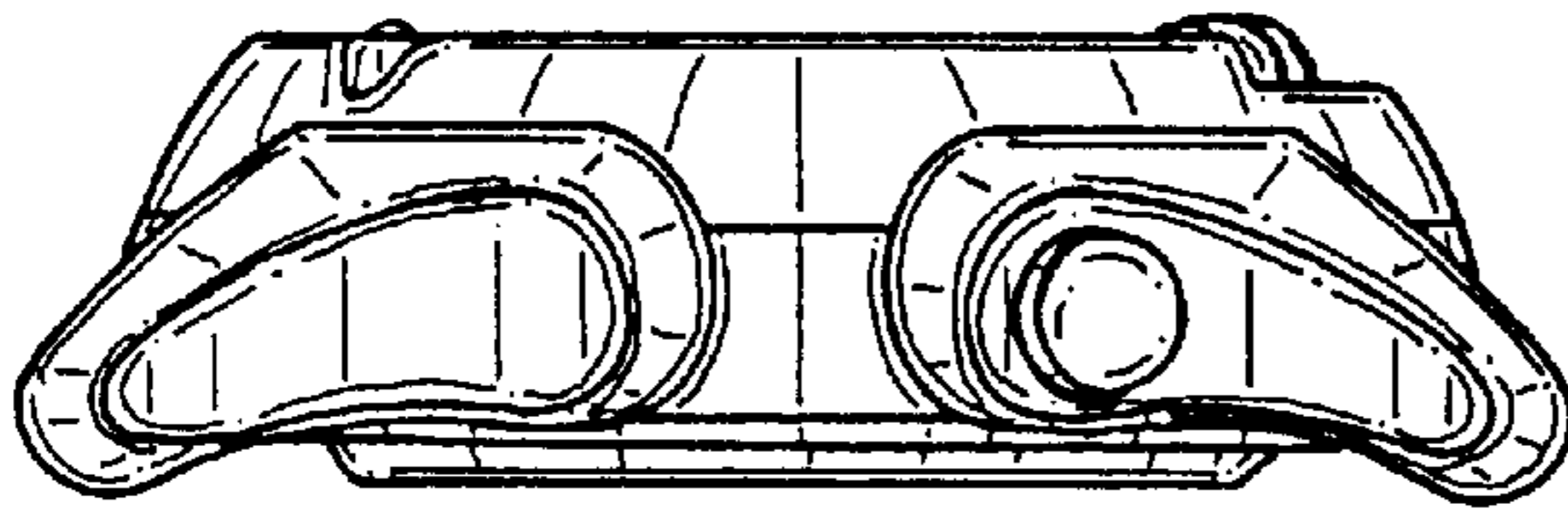


FIG. 10

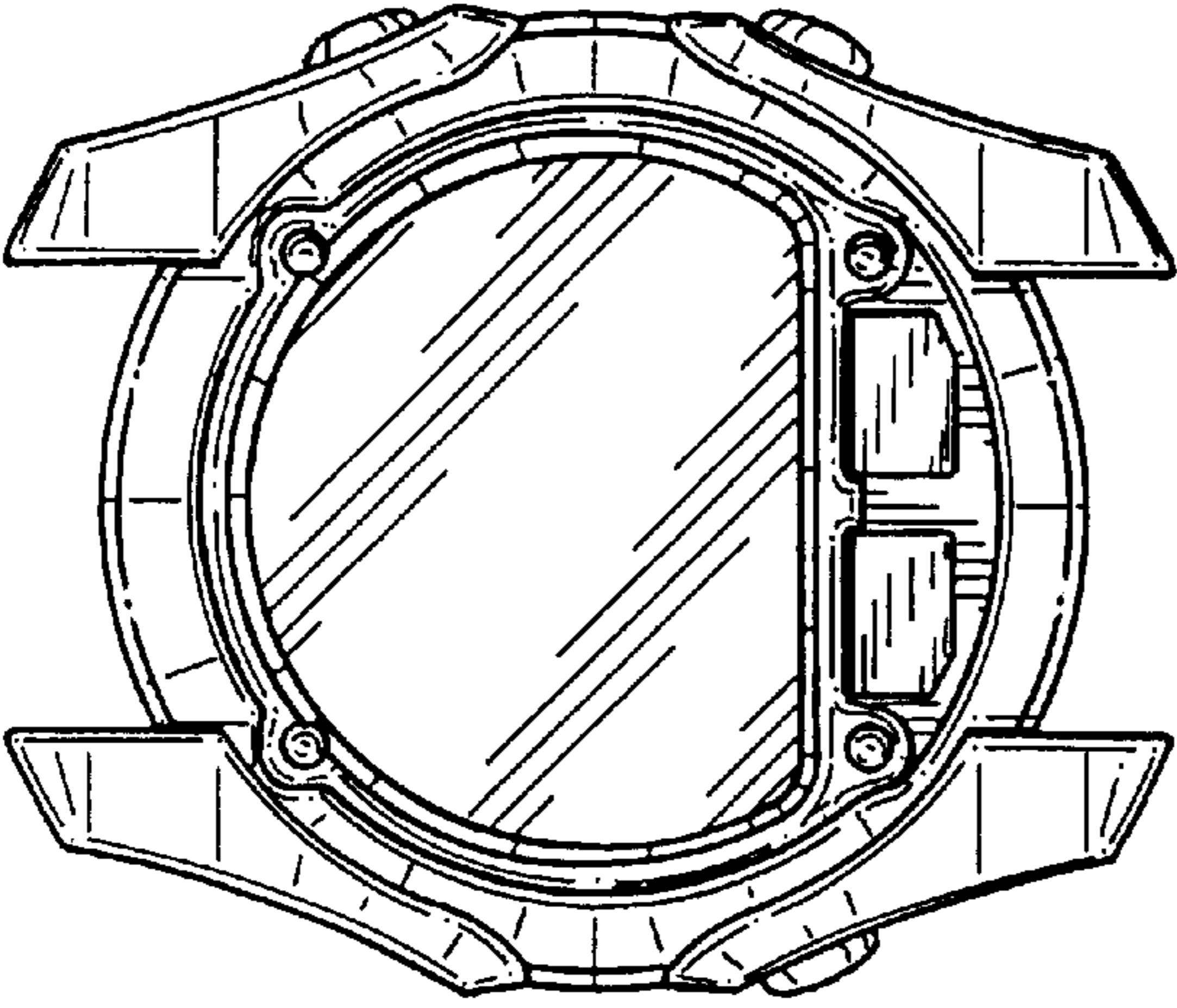


FIG. 11

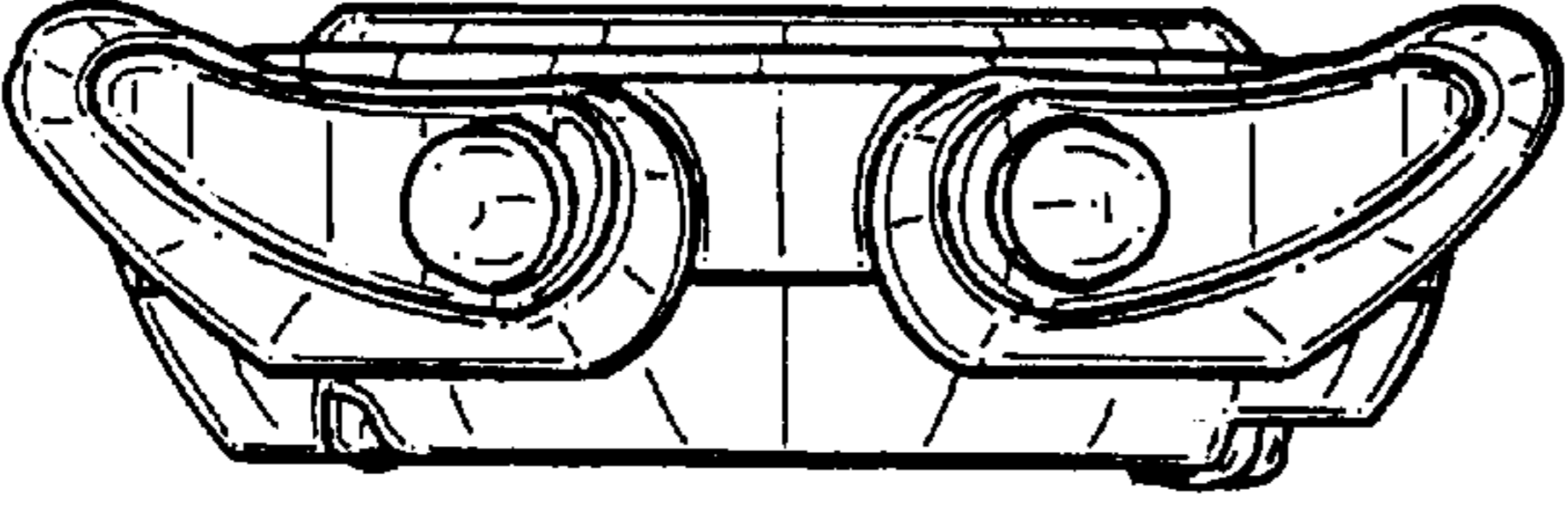


FIG. 12

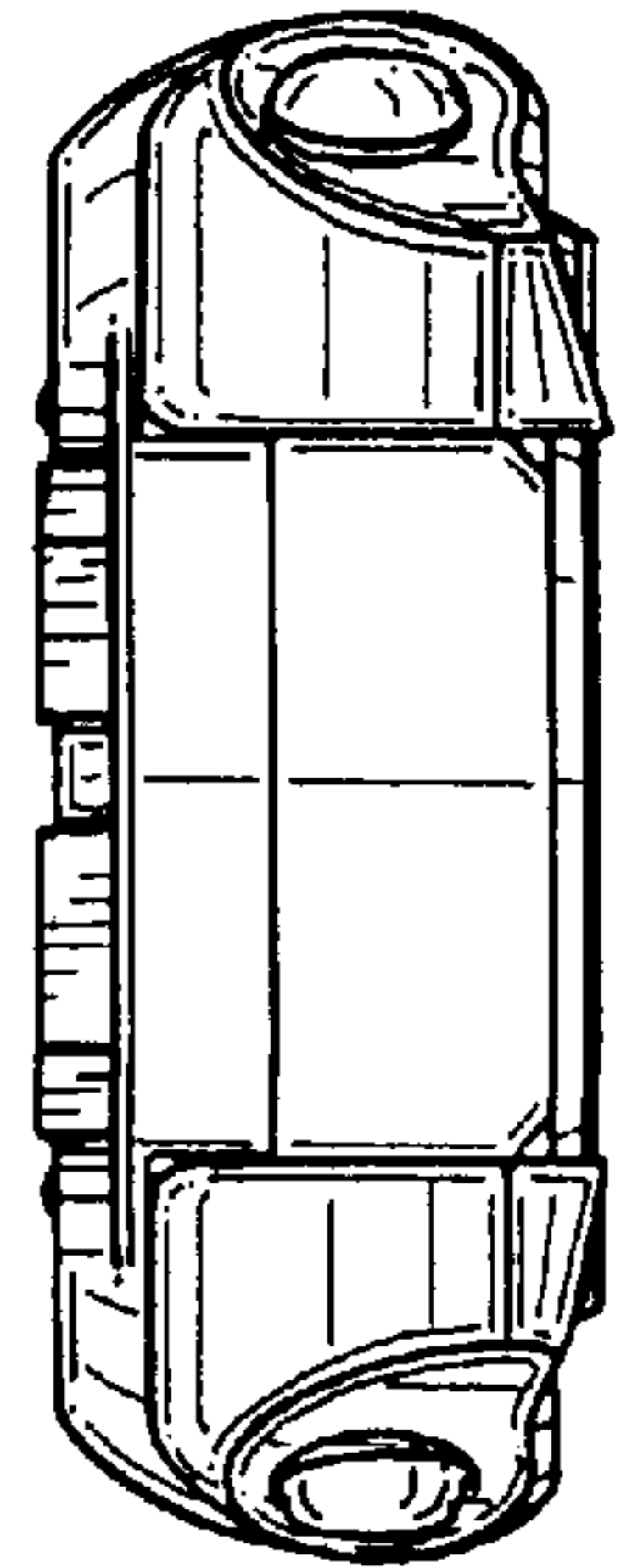


FIG. 13

