



US00D416811S

# United States Patent [19]

Krauss et al.

[11] Patent Number: **Des. 416,811**

[45] Date of Patent: **\*\* Nov. 23, 1999**

[54] **WATCH CASING AND BEZEL**

[75] Inventors: **Aurelie E. Krauss**, Danbury; **Judith R. Riley**, Goshen, both of Conn.

[73] Assignee: **Timex Corporation**, Middlebury, Conn.

[\*\*] Term: **14 Years**

[21] Appl. No.: **29/097,928**

[22] Filed: **Dec. 17, 1998**

[51] **LOC (6) Cl.** ..... **10-02**

[52] **U.S. Cl.** ..... **D10/30; D10/39**

[58] **Field of Search** ..... D10/1-40, 122-132;  
368/280-282, 276-277, 285

[56] **References Cited**

**U.S. PATENT DOCUMENTS**

- D. 310,035 8/1990 Braun et al. .... D10/32
- D. 356,040 3/1995 Bulgari ..... D10/39
- D. 400,445 11/1998 Voegeli ..... D10/32

**OTHER PUBLICATIONS**

Hong Kong Enterprise—Nov. 1988—p. 8—watch at right.  
Vogue—Apr. 15, 1969—p. 116—watch at right.  
Harper's Bazaar—Apr. 1971—p. 25—watch at top left.

*Primary Examiner*—Nelson C. Holtje  
*Attorney, Agent, or Firm*—Carmody & Torrance, LLP

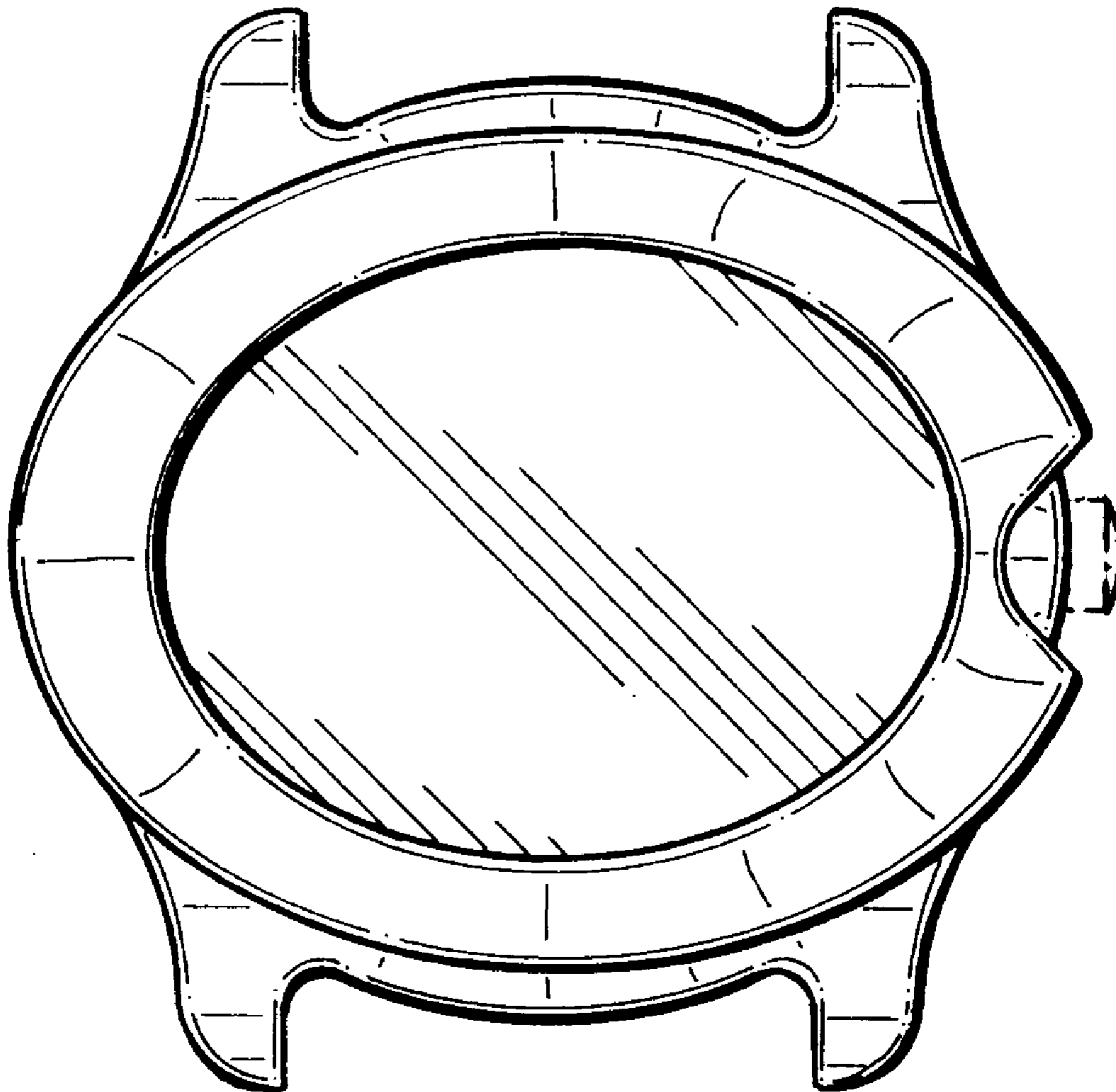
[57] **CLAIM**

The ornamental design for a “watch casing and bezel”, as shown and described.

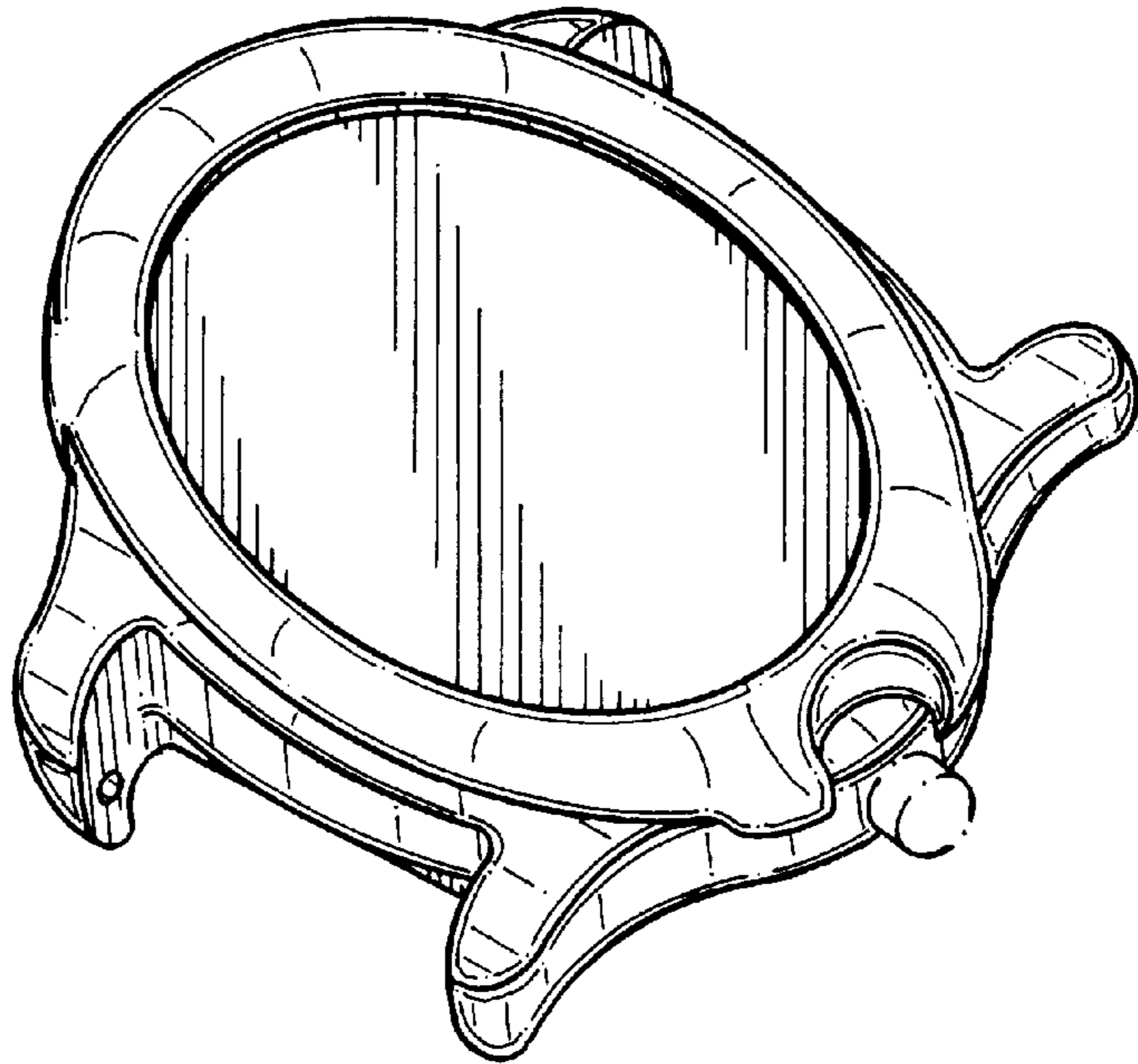
**DESCRIPTION**

FIG. 1 is a perspective view of a watch casing and bezel showing our new design;  
FIG. 2 is a left side elevational view thereof;  
FIG. 3 is a top plan view thereof;  
FIG. 4 is a right side elevational view thereof;  
FIG. 5 is a front elevational view thereof;  
FIG. 6 is a rear elevational view thereof; and,  
FIG. 7 is a bottom plan view.

**1 Claim, 2 Drawing Sheets**



*FIG. 1*



*FIG. 7*

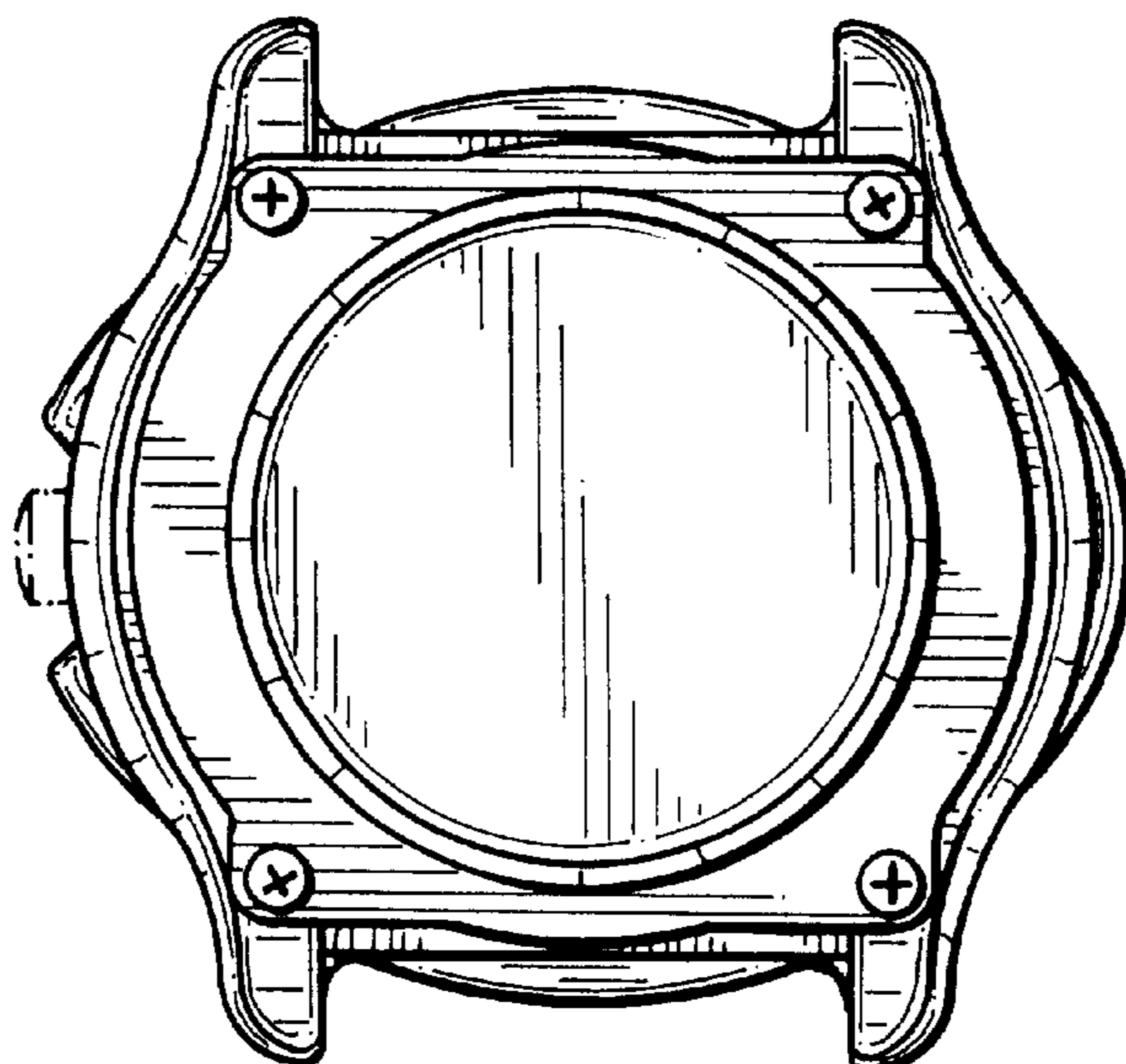


FIG. 2

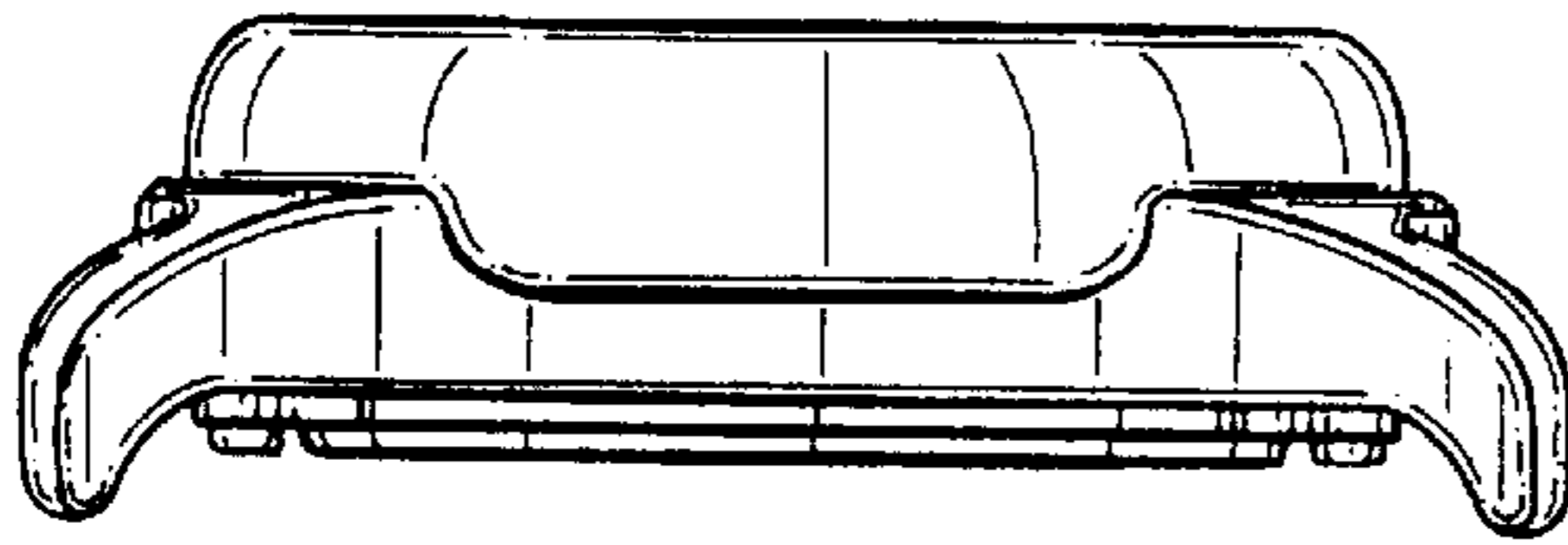


FIG. 3

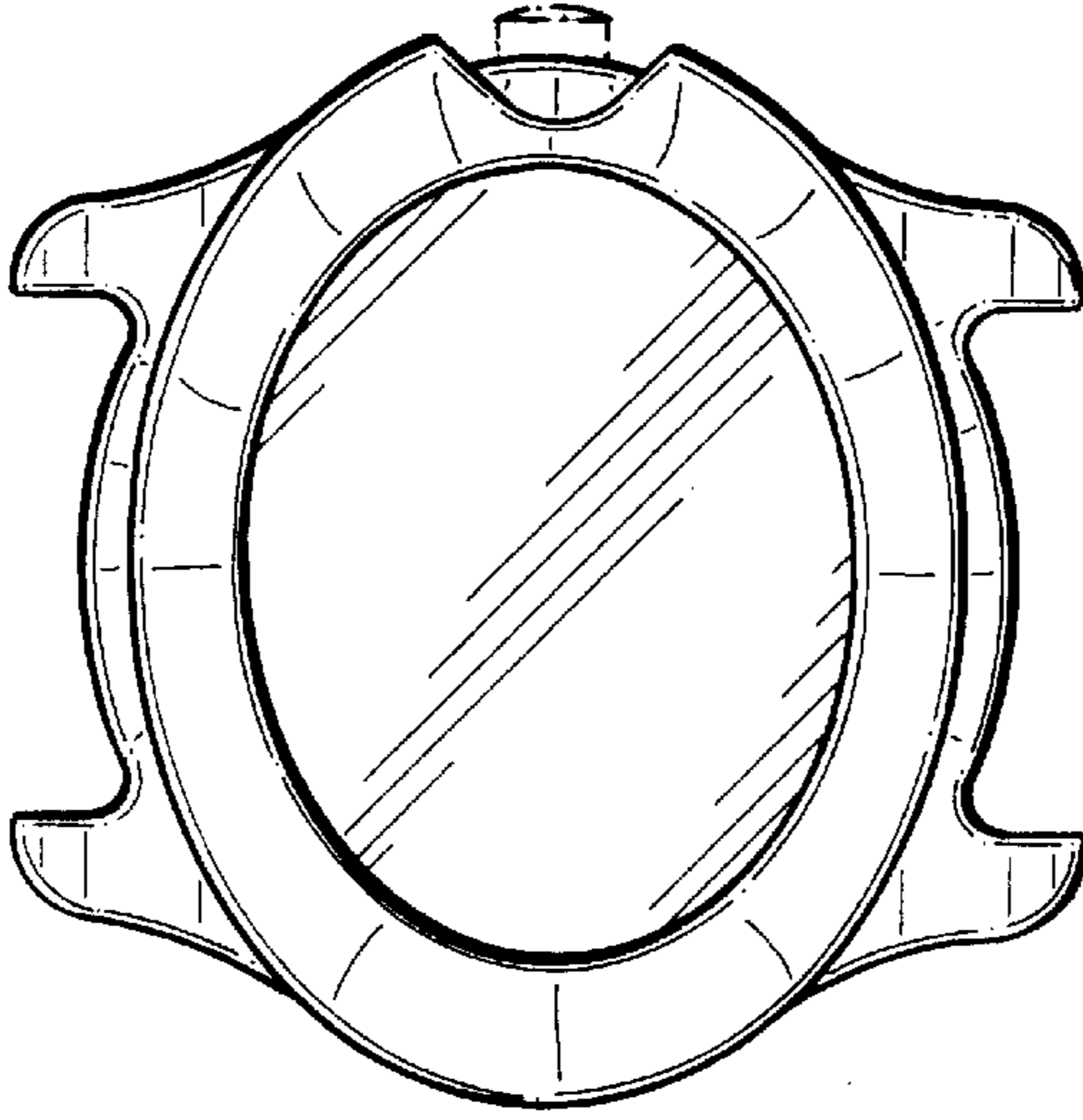


FIG. 4

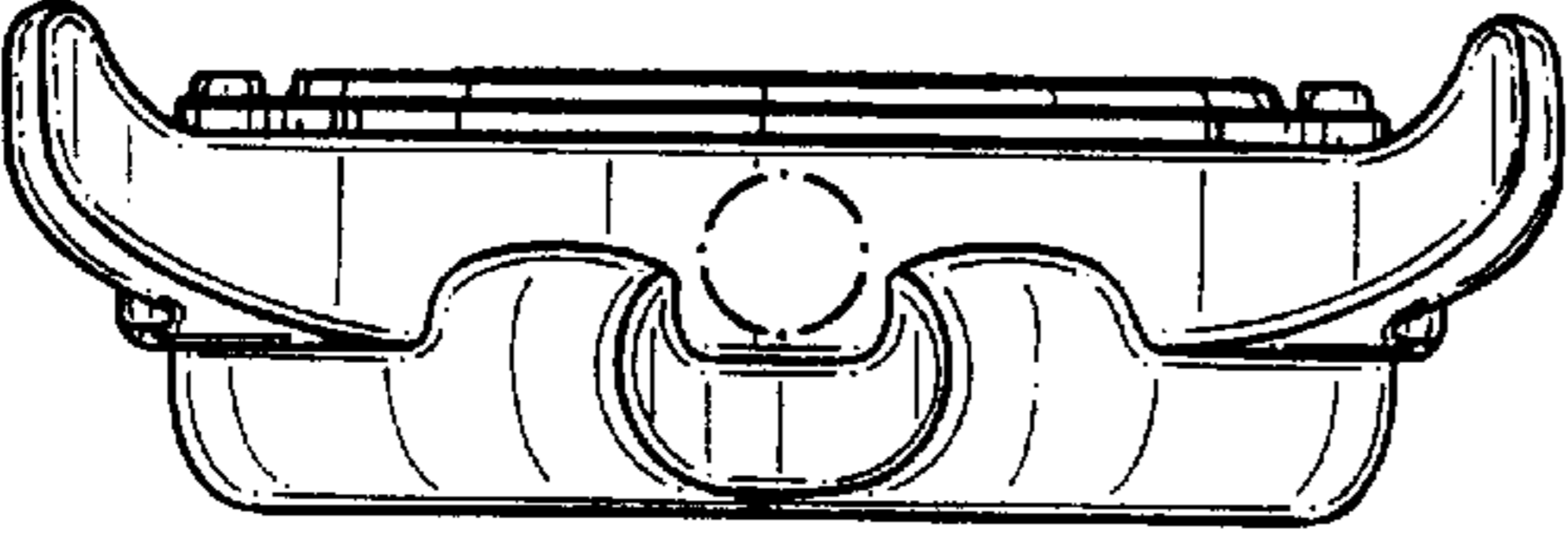


FIG. 5

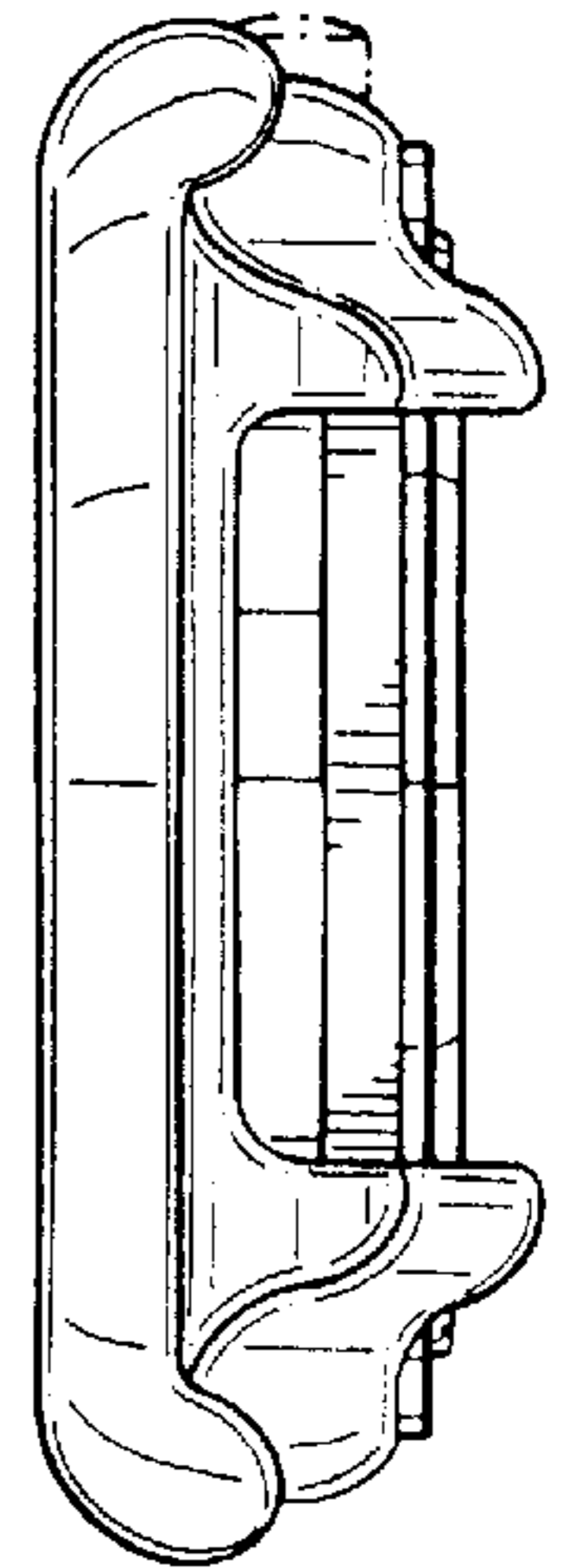


FIG. 6

