



US00D416808S

# United States Patent [19]

Haruta

[11] Patent Number: **Des. 416,808**

[45] Date of Patent: **\*\* Nov. 23, 1999**

[54] PAPER CLOCK

[75] Inventor: **Gale S. Haruta**, Charlotte, N.C.

[73] Assignee: **Lyerly Agency, Inc.**, Charlotte, N.C.

[\*\*] Term: **14 Years**

[21] Appl. No.: **29/072,365**

[22] Filed: **Jun. 16, 1997**

[51] LOC (6) Cl. .... **10-01**

[52] U.S. Cl. .... **D10/21; D10/29**

[58] Field of Search ..... D10/1-40, 122-132;  
368/276-277, 285, 316-317

[56] **References Cited**

**U.S. PATENT DOCUMENTS**

- D. 84,262 5/1931 Schuler .
- D. 112,594 12/1938 Bruce ..... D10/21
- D. 214,282 5/1969 Rodriguez .
- D. 219,237 11/1970 Rittinghaus .

- D. 256,780 9/1980 Williams ..... D10/6
- D. 304,161 10/1989 Nomizu ..... D10/21
- D. 333,273 2/1993 Mukoyama ..... D10/29
- D. 364,095 11/1995 Mak ..... D10/21
- D. 372,677 8/1996 Albinson ..... D10/25
- 3,872,235 3/1975 Manly .

*Primary Examiner*—Nelson C. Holtje  
*Attorney, Agent, or Firm*—Adams Law Firm, P.A.

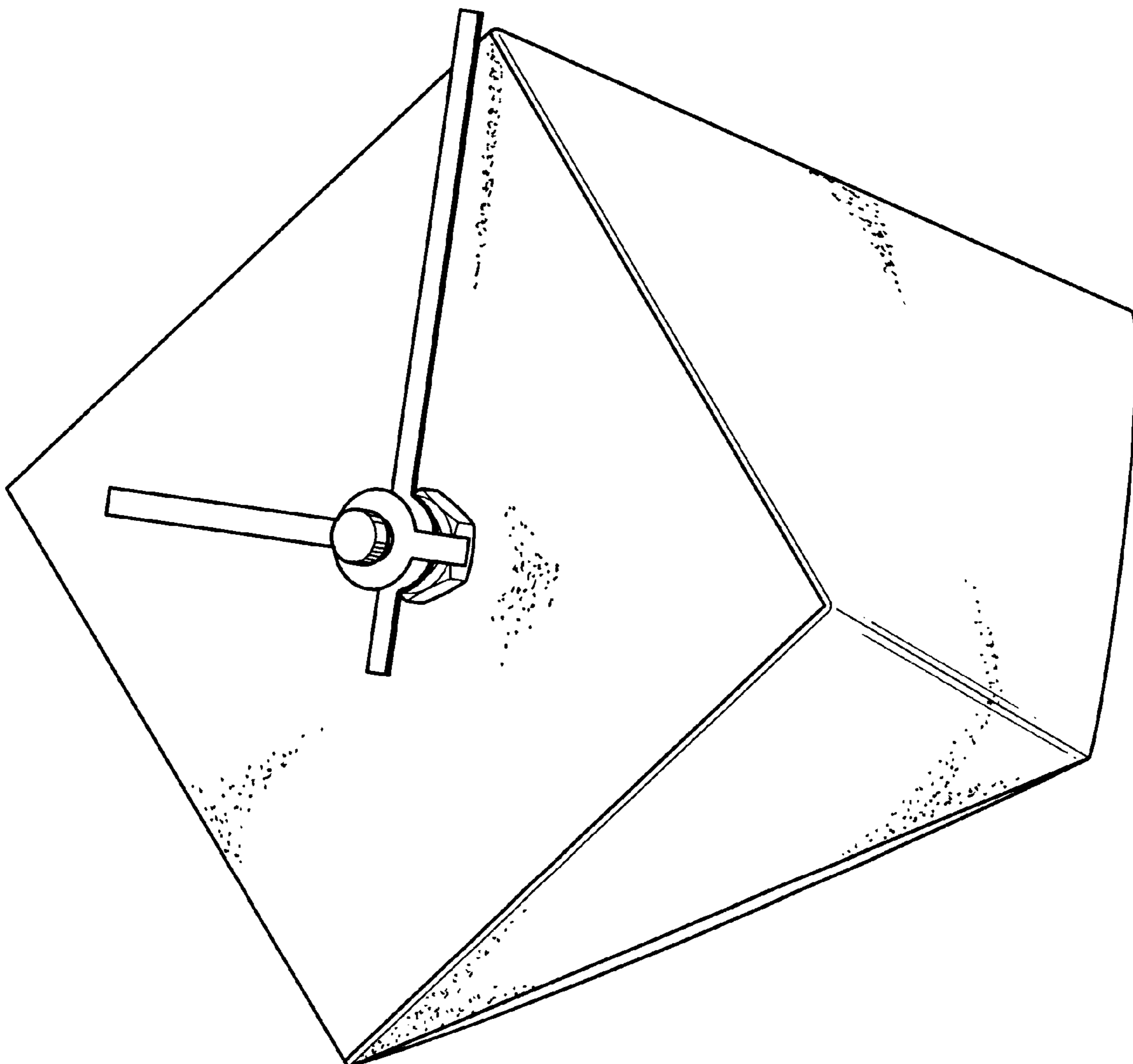
[57] **CLAIM**

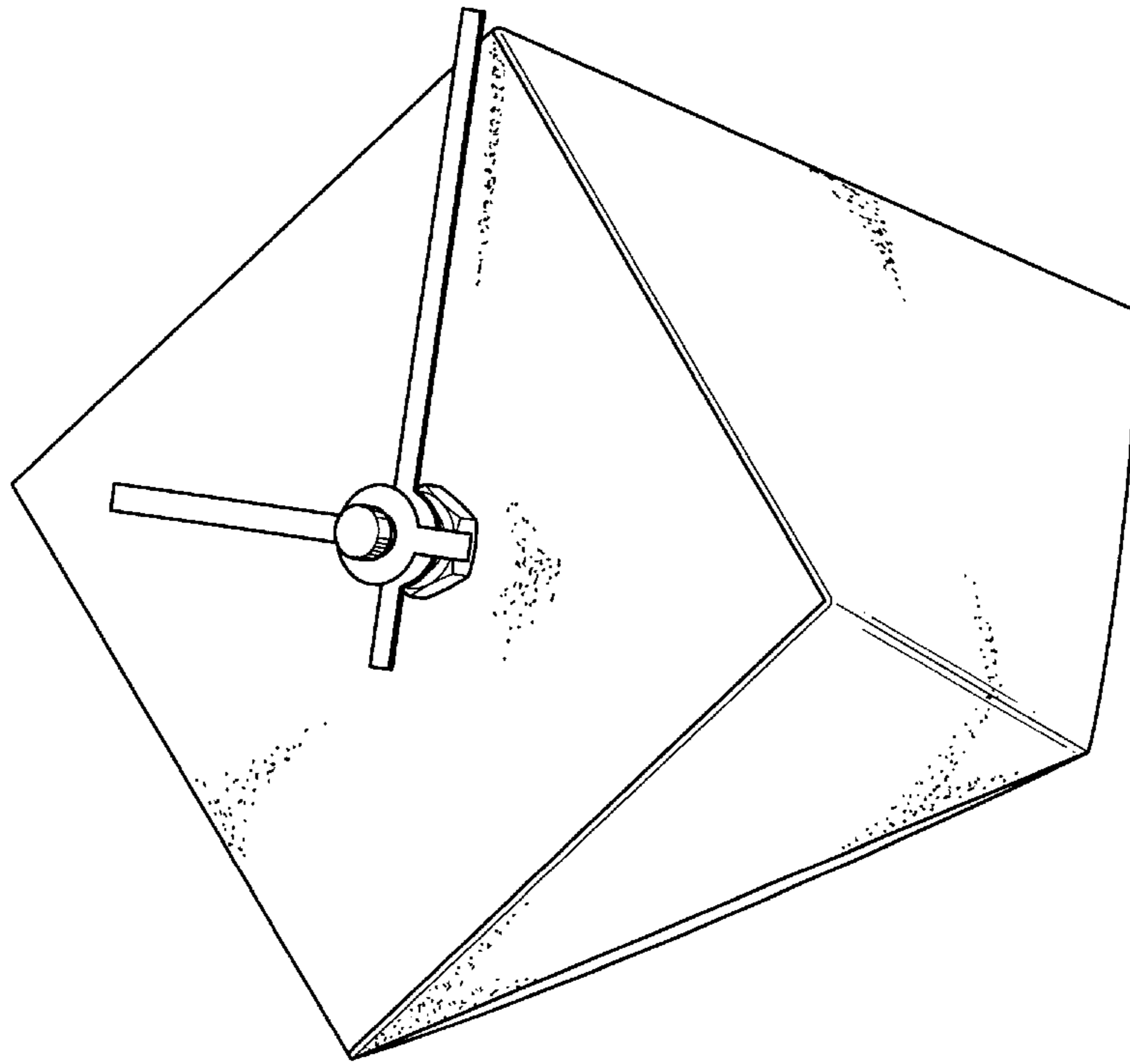
I claim the ornamental design for a paper clock, as shown.

**DESCRIPTION**

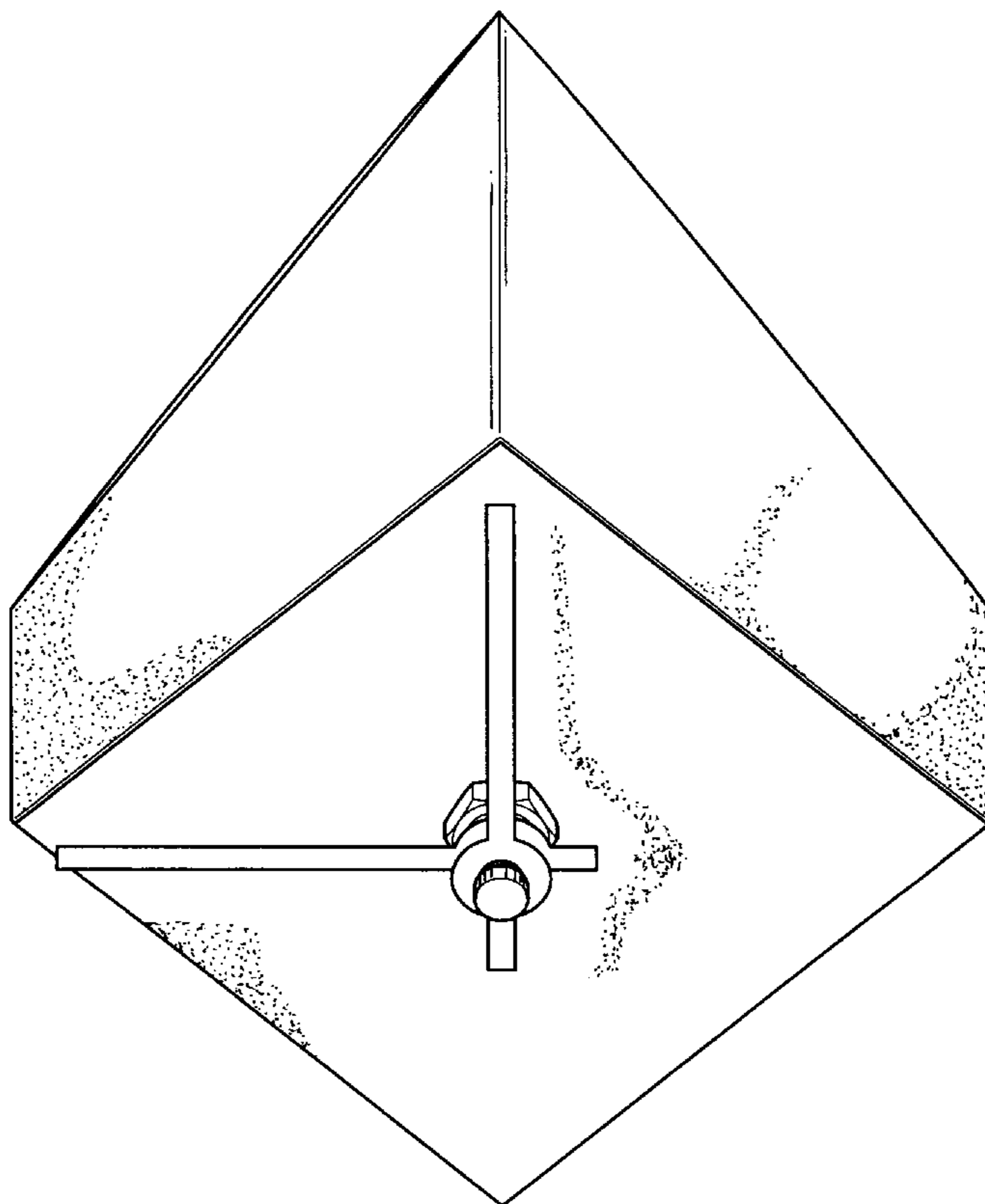
FIG. 1 is a perspective view of the paper clock;  
FIG. 2 is a top plan view thereof;  
FIG. 3 is a bottom plan view thereof;  
FIG. 4 is a right side elevational view, the left side being a mirror image thereof;  
FIG. 5 is a front elevational view thereof; and,  
FIG. 6 is a rear elevational view thereof.

**1 Claim, 3 Drawing Sheets**

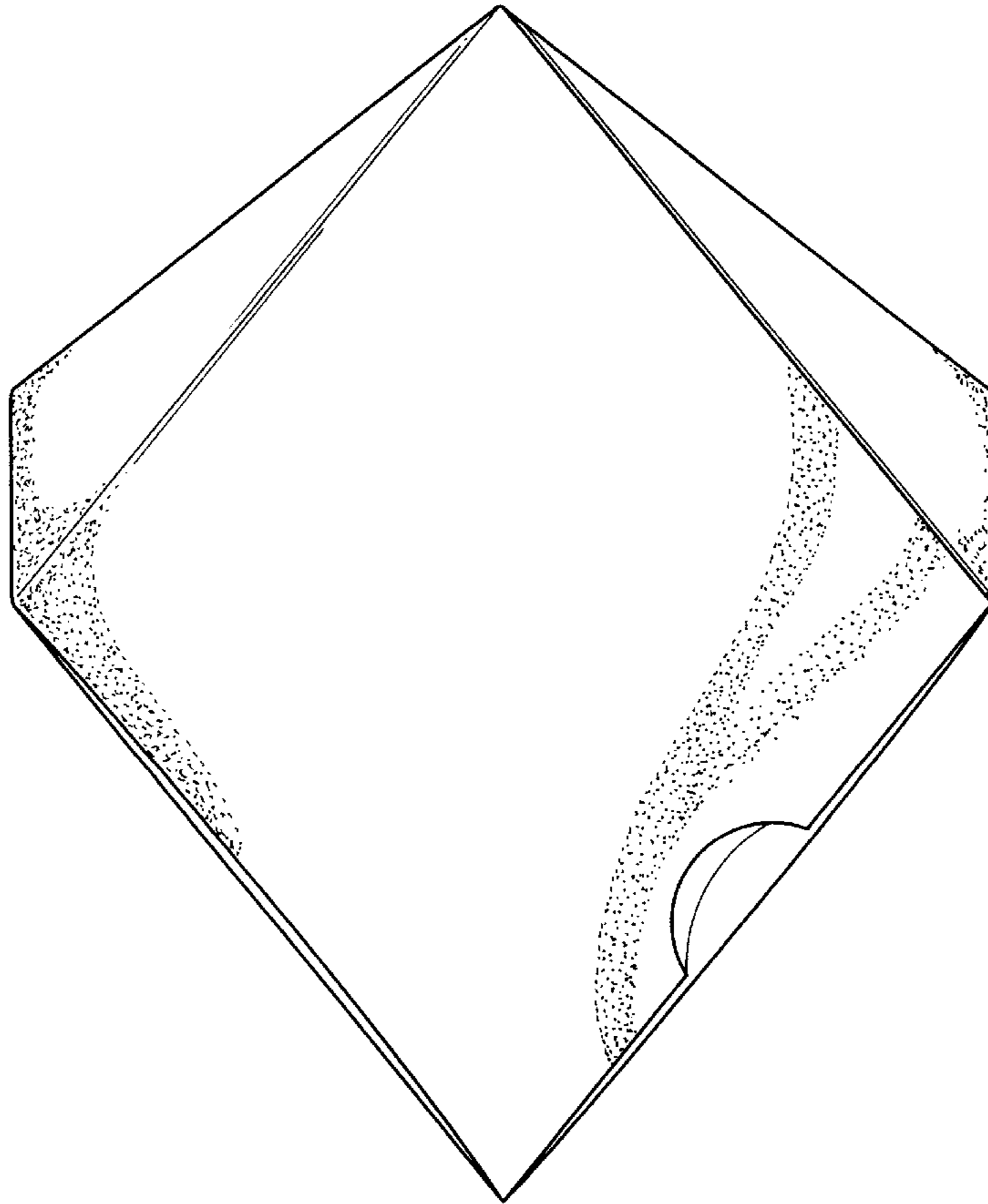




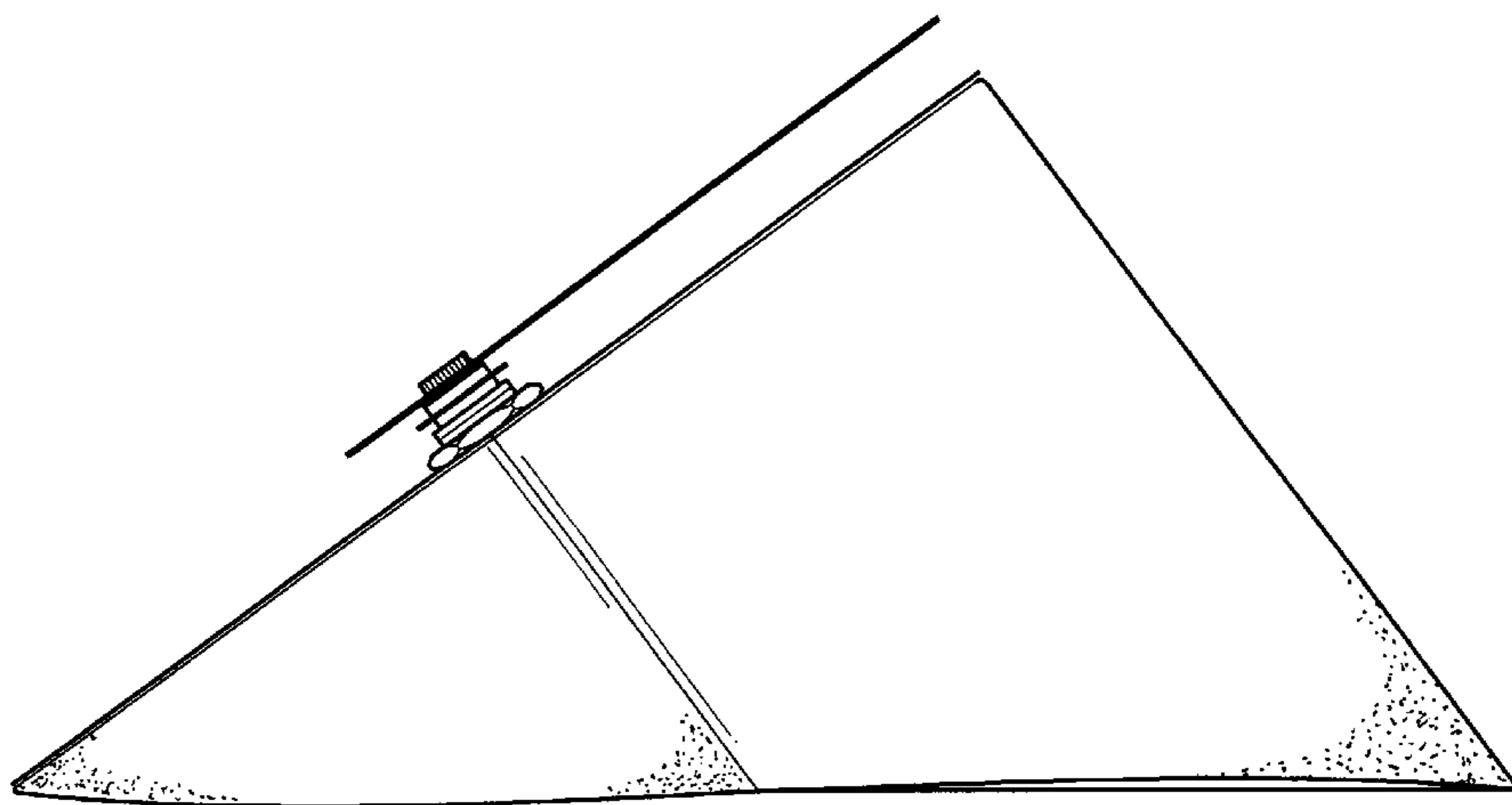
*Fig. 1*



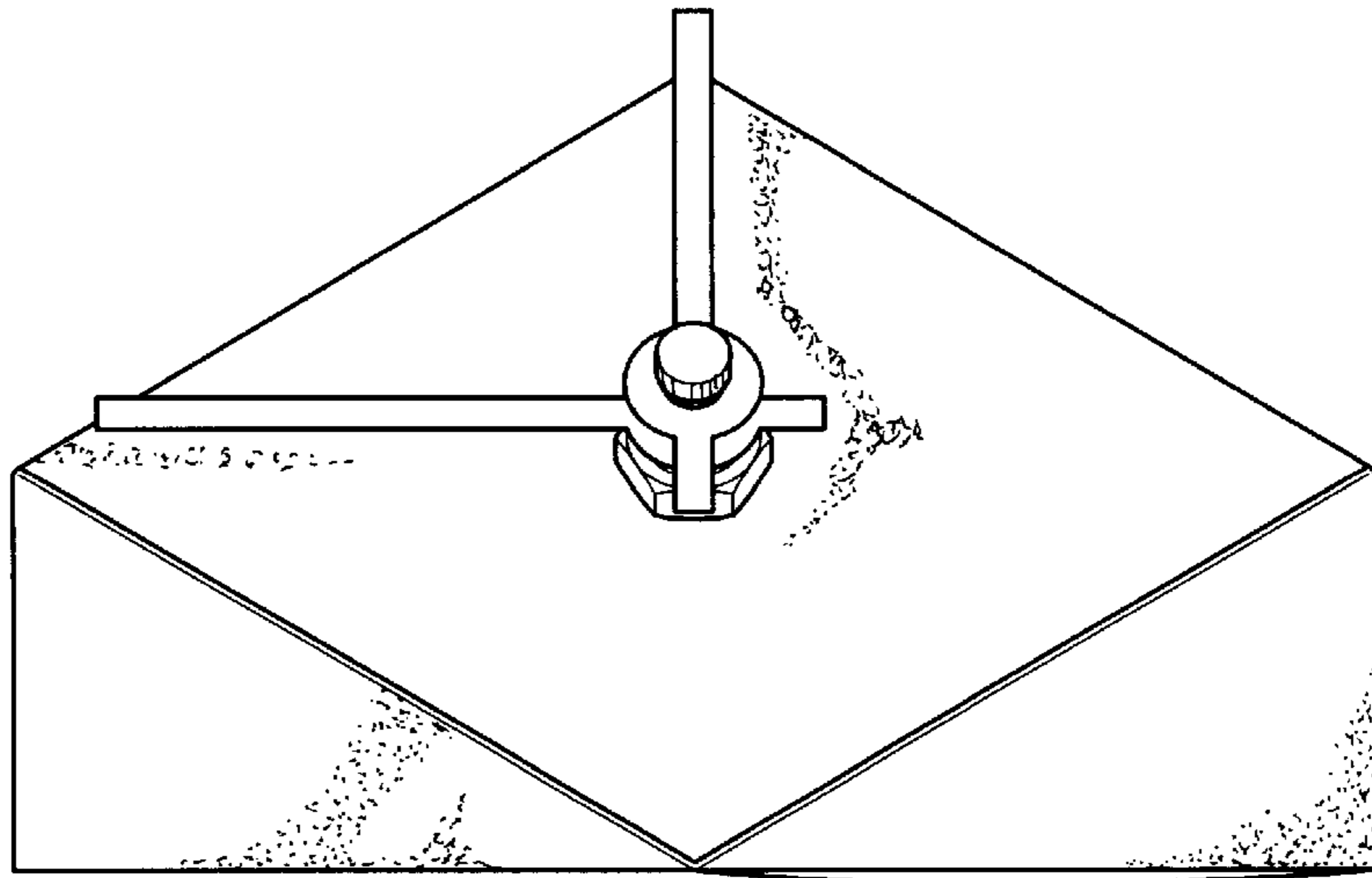
*Fig. 2*



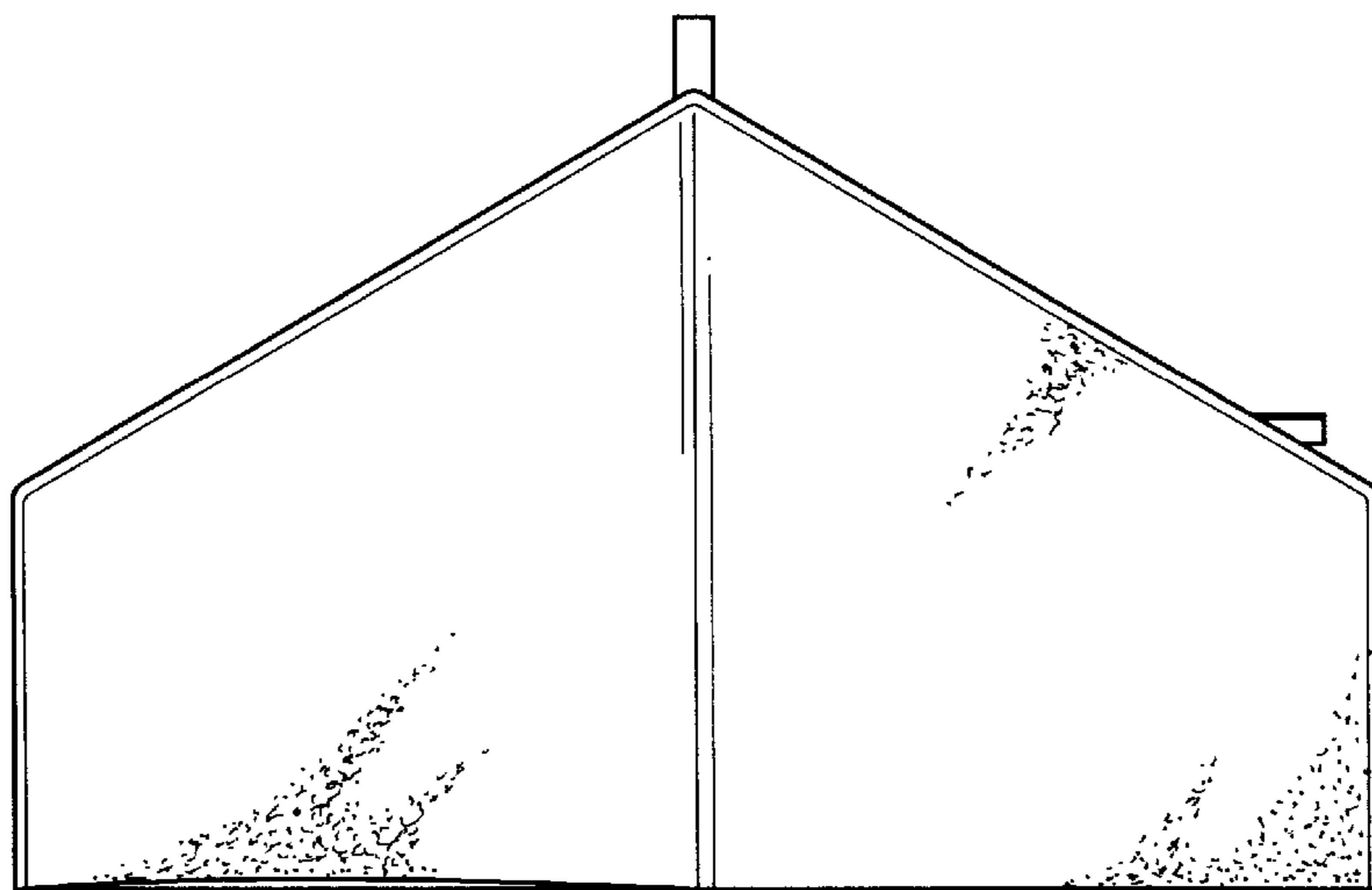
*Fig. 3*



*Fig. 4*



*Fig. 5*



*Fig. 6*