



US00D416794S

United States Patent [19] Cormack

[11] Patent Number: Des. 416,794

[45] Date of Patent: ** *Nov. 23, 1999

[54] CONTAINER FOR IMPREGNATED WIPES

[75] Inventor: Judith Cormack, Marlow, United Kingdom

[73] Assignee: Johnson & Johnson Limited, Berkshire, United Kingdom

[*] Notice: This patent is subject to a terminal disclaimer.

[**] Term: 14 Years

[21] Appl. No.: 29/080,256

[22] Filed: Dec. 5, 1997

[30] Foreign Application Priority Data

Jun. 27, 1997 [GB] United Kingdom 2066978

[51] LOC (6) Cl. 09-07

[52] U.S. Cl. D9/425; D9/423

[58] Field of Search D9/420-425, 432, D9/431, 414, 337; 206/508, 216, 581, 823, 822, 812, 210, 494; 221/306, 33, 45, 52, 55, 56, 40, 41; 220/335, 337, 253, 376, 380

[56] References Cited

U.S. PATENT DOCUMENTS

D. 285,906 9/1986 Tyler D9/425
D. 330,161 10/1992 Schuh D9/423
D. 367,609 3/1996 Frank et al. D9/425
3,836,044 9/1974 Tilp et al. 221/55
3,841,466 10/1974 Hoffman et al. 206/812 X

4,113,095 9/1978 Dietz et al. 206/508
4,428,497 1/1984 Julius et al. 206/812 X
5,036,997 8/1991 May et al. 220/337 X
5,050,737 9/1991 Joslyn et al. 206/494
5,368,188 11/1994 Twardowski 221/50
5,533,621 7/1996 Schoal, Jr. 206/812 X

OTHER PUBLICATIONS

Rubbermaid Cat, p. 10, 1985.

Primary Examiner—Prabhakar Deshmukh
Attorney, Agent, or Firm—Lawrence D. Schuler

[57] CLAIM

The ornamental design for a container for impregnated wipes, as shown and described.

DESCRIPTION

FIG. 1 is a perspective view from the top and front and showing the container of my new design;
FIG. 2 is a perspective view from the bottom and rear of the container;
FIG. 3 is a top plan view thereof;
FIG. 4 is a front elevational view thereof;
FIG. 5 is a left side elevational view thereof, the right side view being a mirror image;
FIG. 6 is a rear elevational view thereof;
FIG. 7 is a bottom plan view thereof;
FIG. 8 is a perspective view thereof, with the lid shown in an open position; and,
FIG. 9 is a top plan view of the container with the lid thereof in an open position and partially in cut condition.

1 Claim, 7 Drawing Sheets

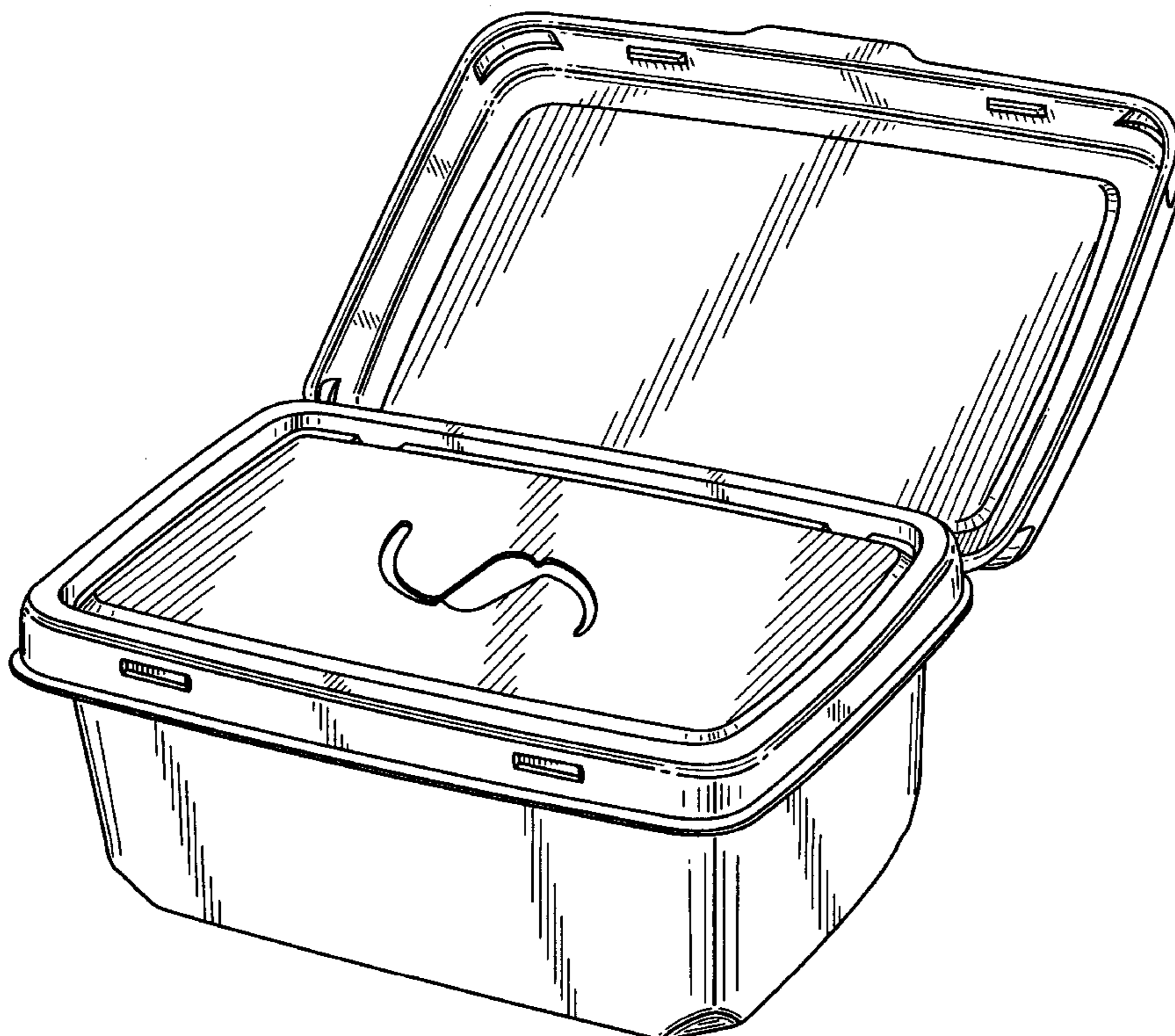


FIG. 1

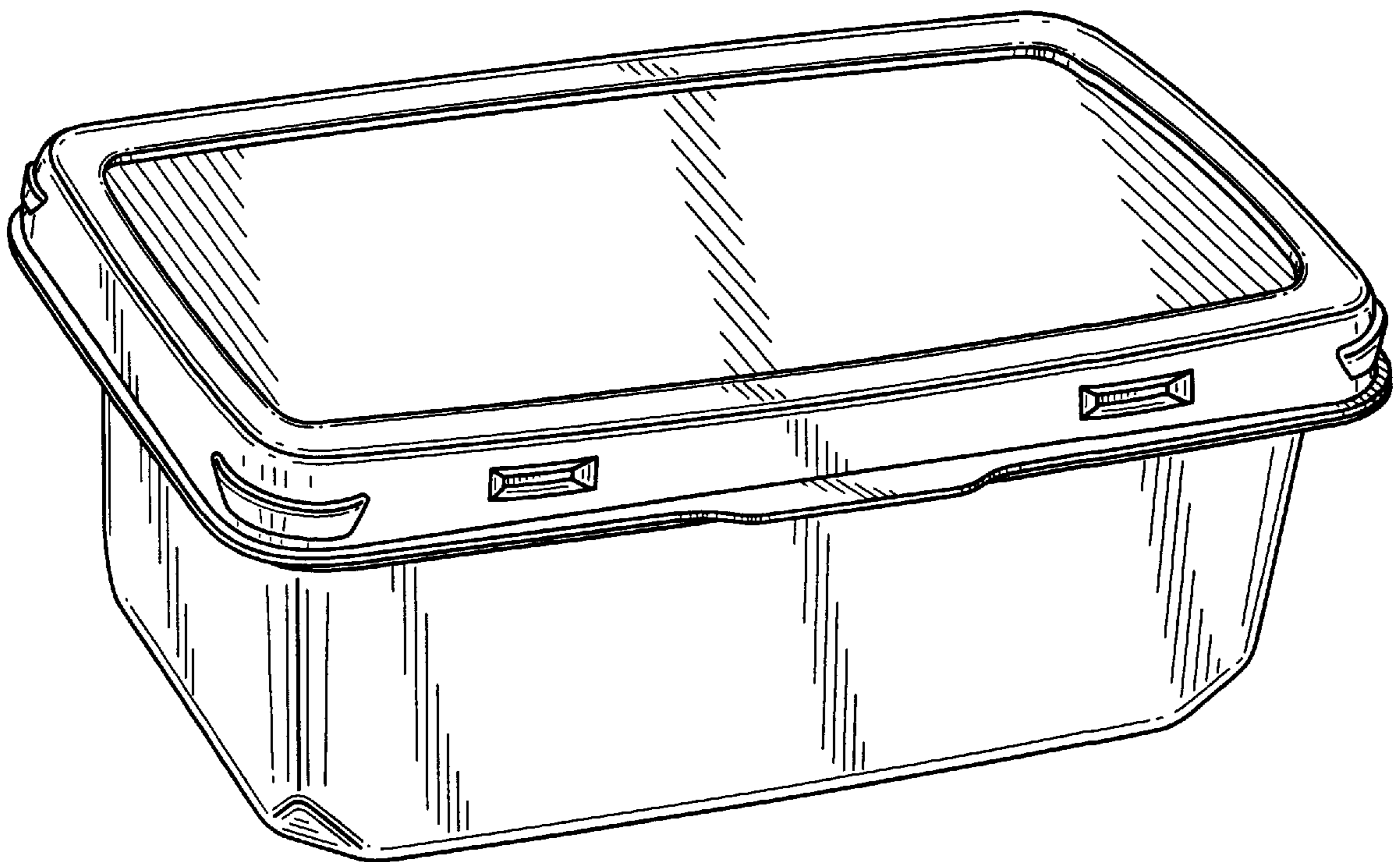


FIG. 2

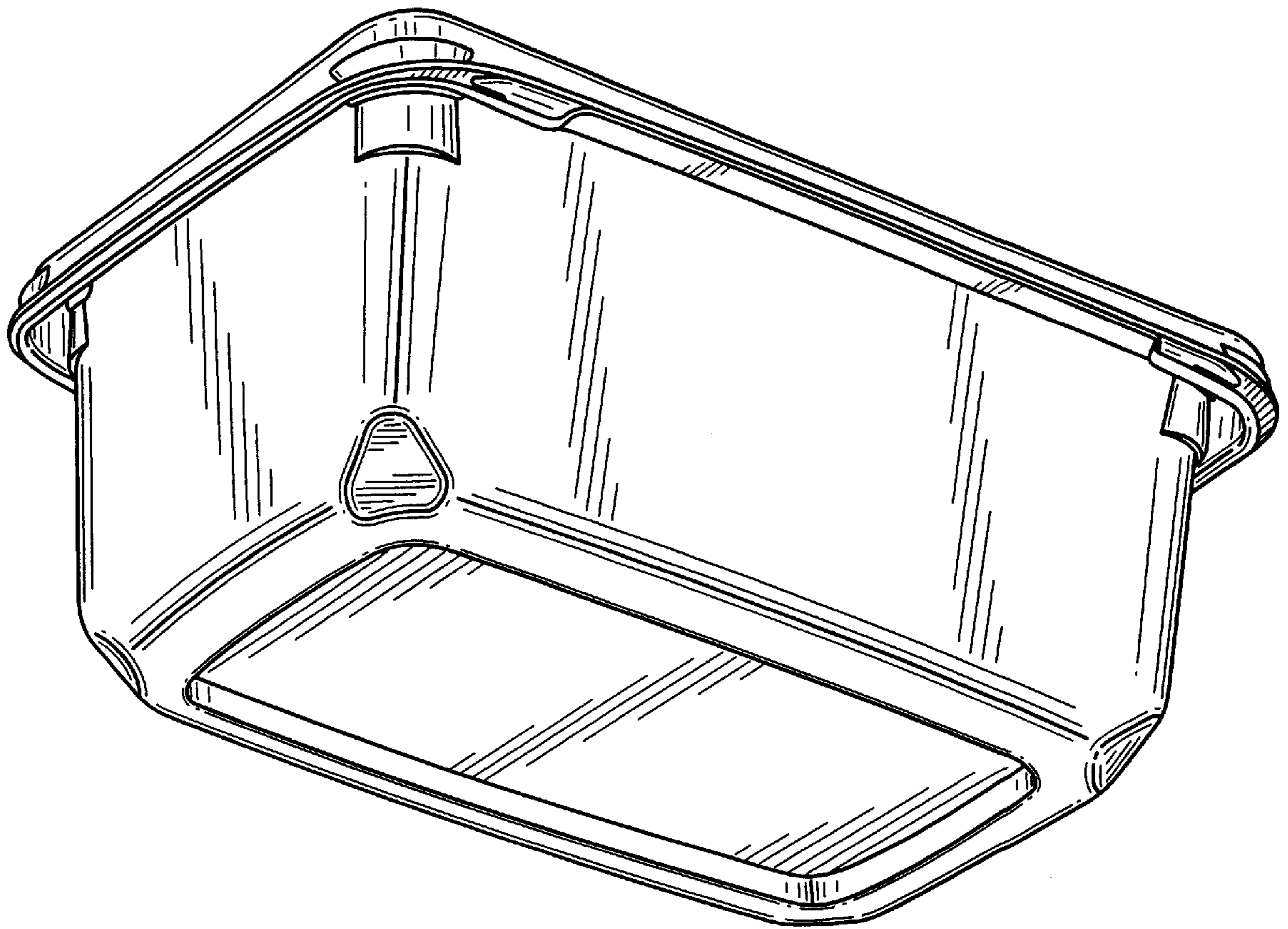


FIG. 3

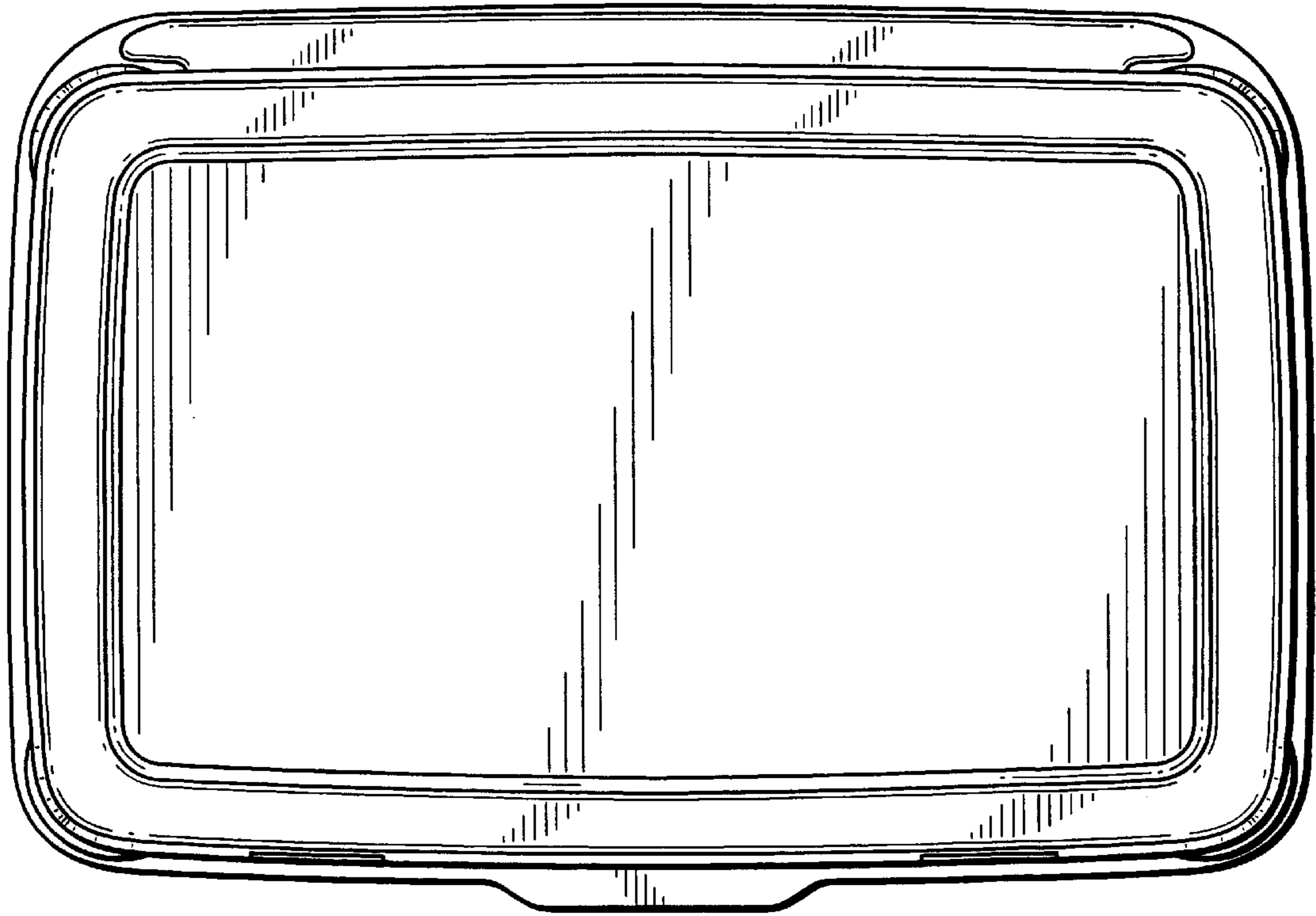


FIG. 4

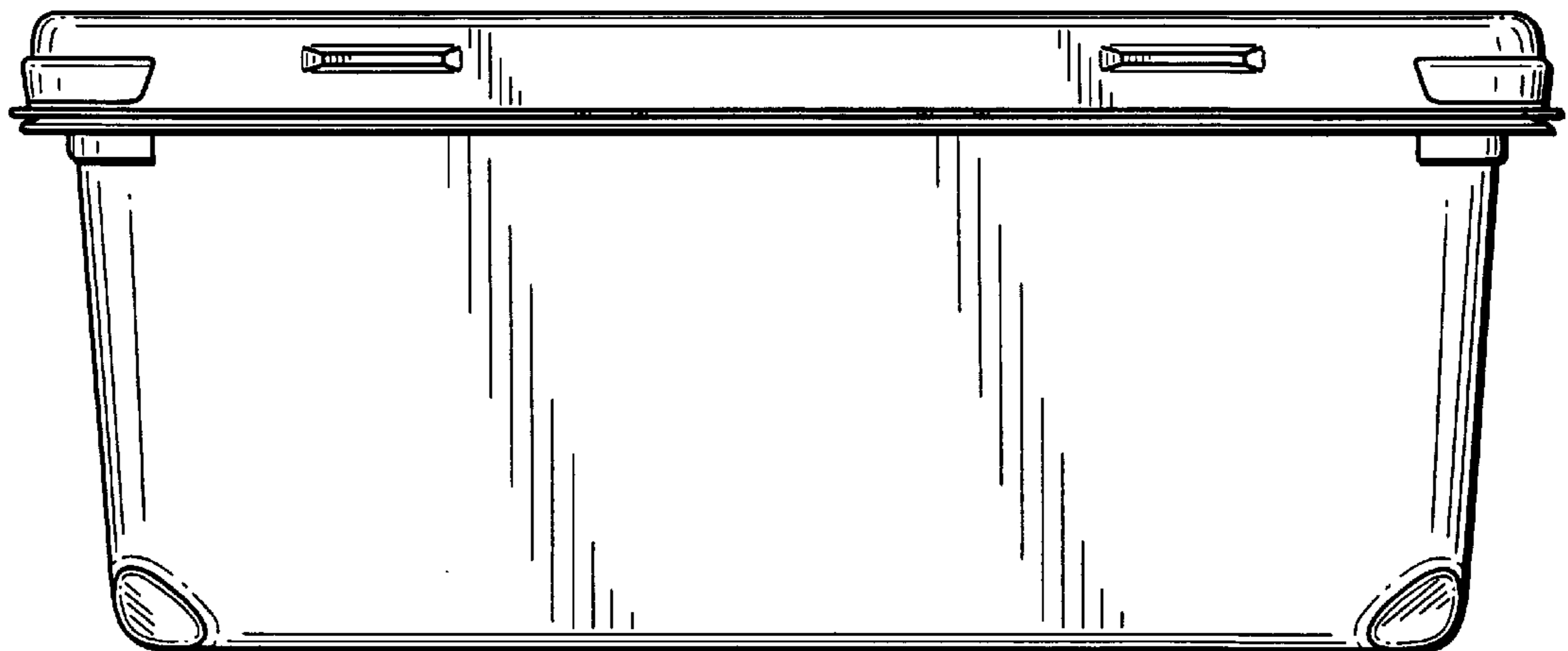


FIG. 5

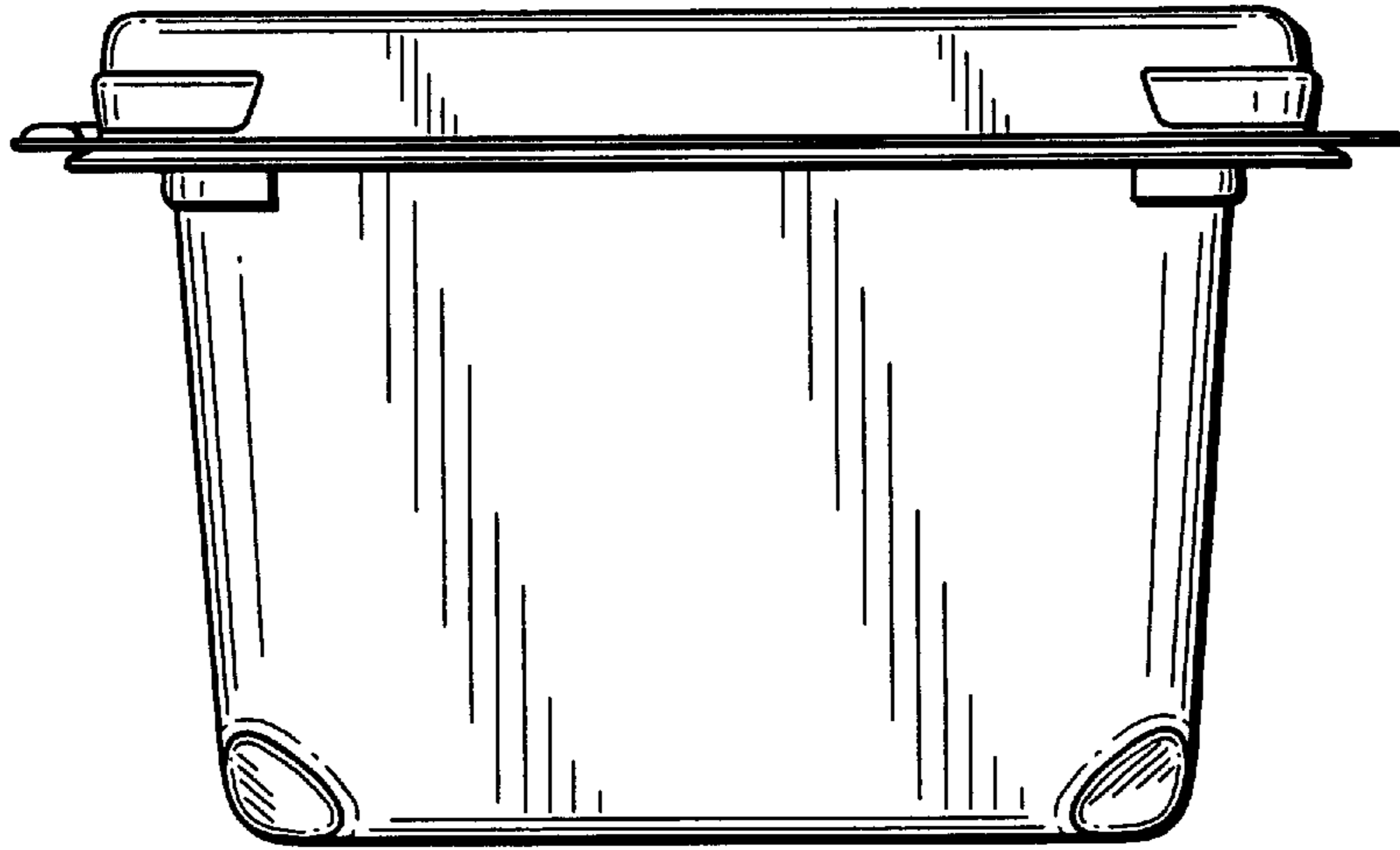


FIG. 6

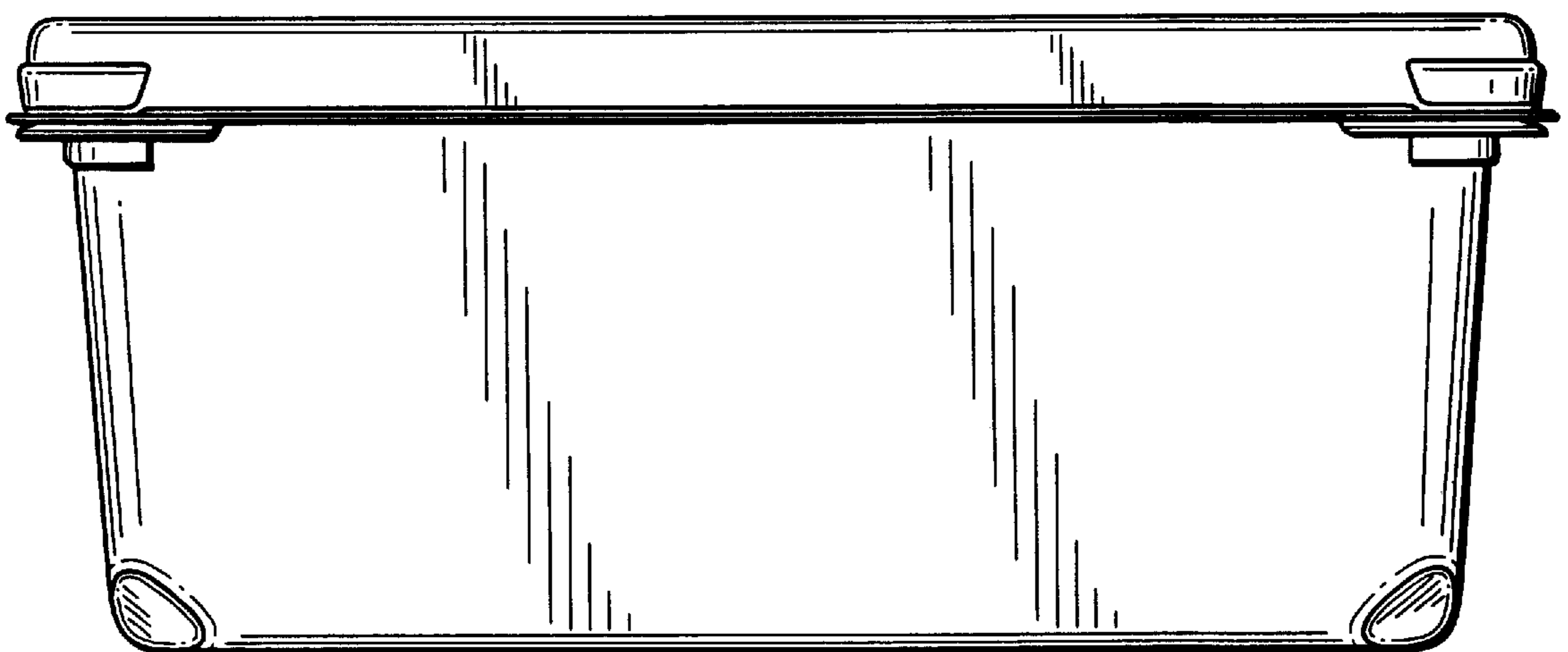
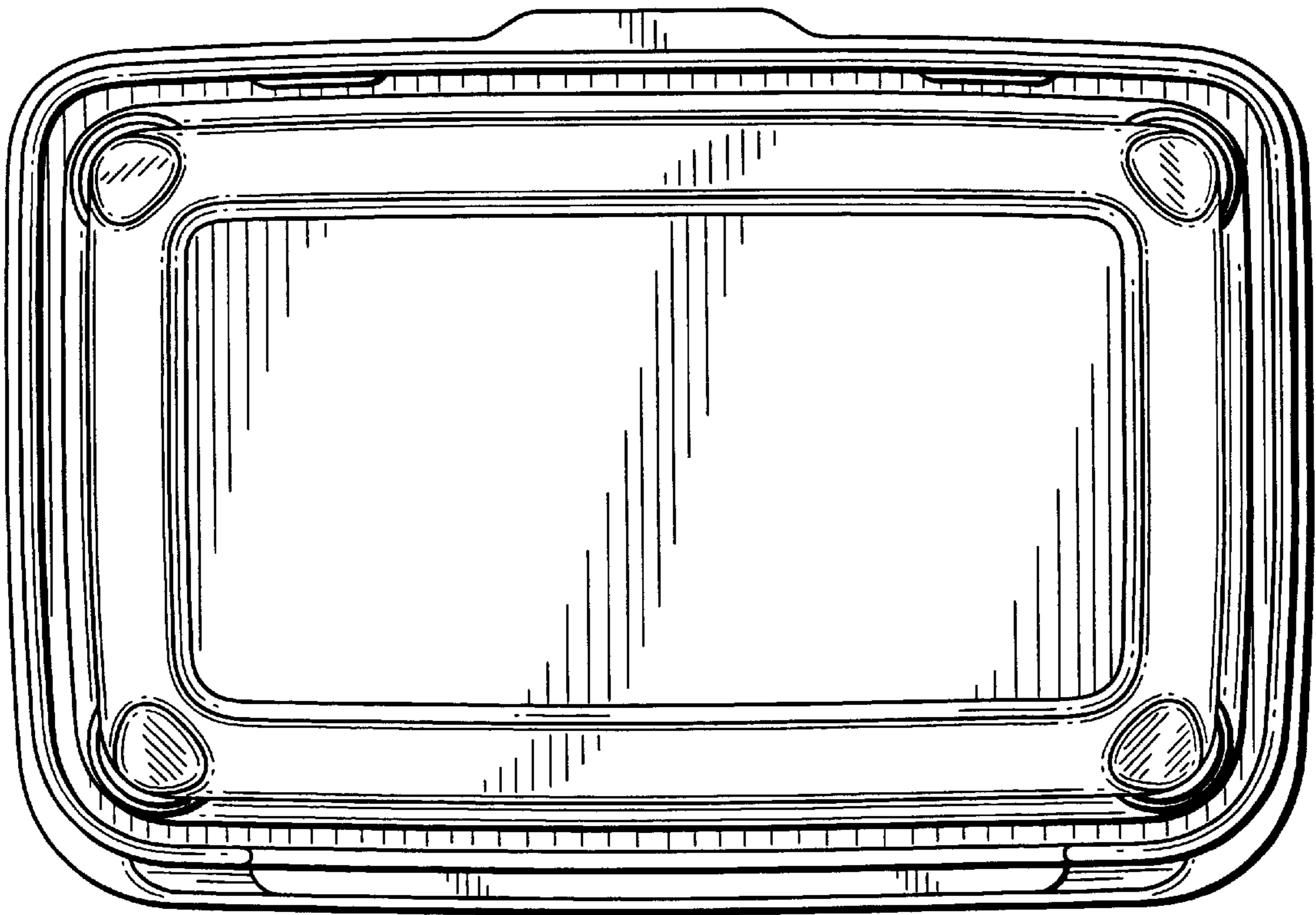


FIG. 7



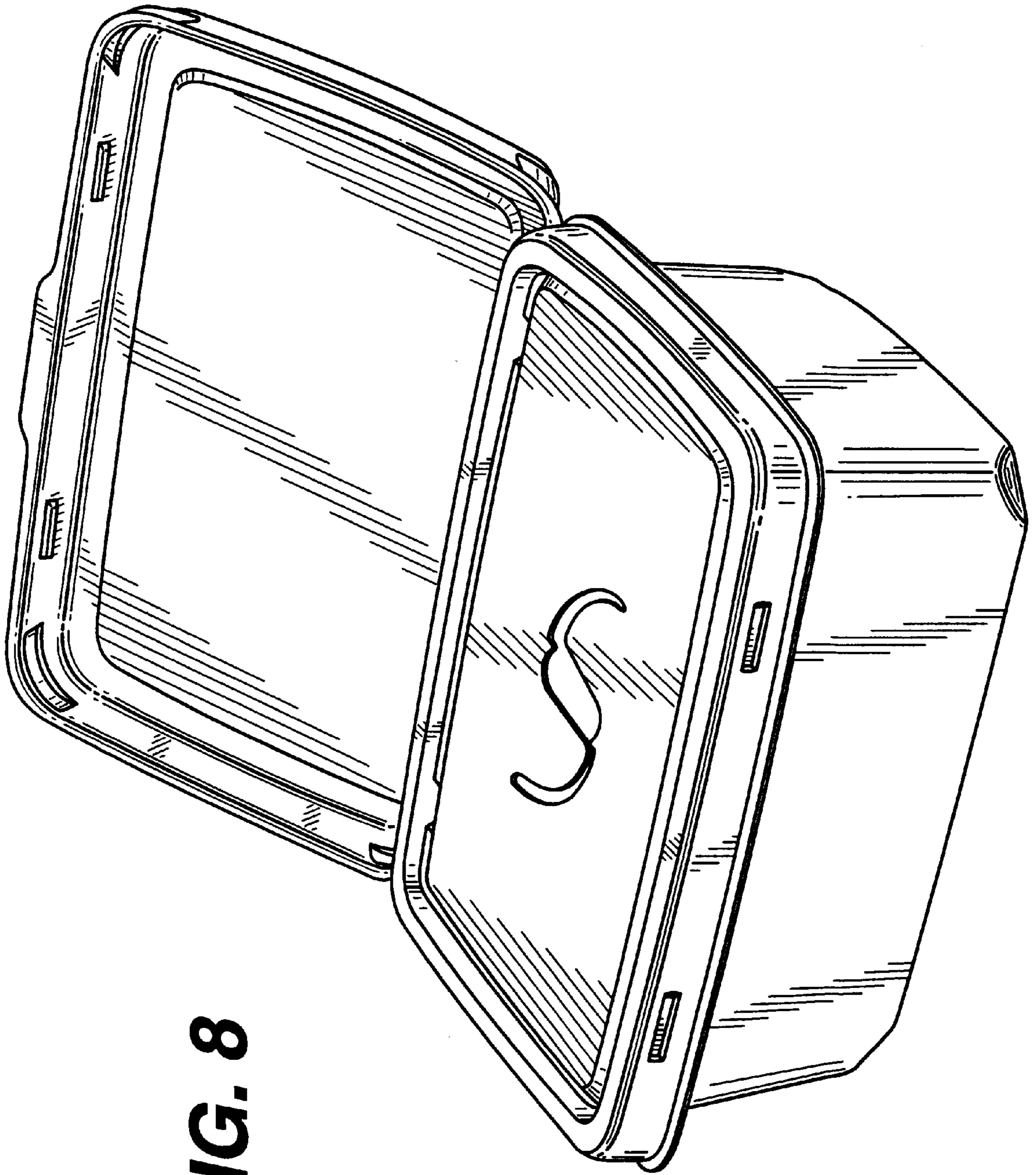


FIG. 8

FIG. 9

