



US00D416783S

United States Patent [19] Hampshire

[11] Patent Number: **Des. 416,783**

[45] Date of Patent: **** Nov. 23, 1999**

[54] **SUCTION CUP**

[76] Inventor: **James F. Hampshire**, 8252 Darrow Rd., Suite F, Twinsburg, Ohio 44087

[**] Term: **14 Years**

[21] Appl. No.: **29/097,319**

[22] Filed: **Dec. 3, 1998**

[51] **LOC (6) Cl.** **08-05**

[52] **U.S. Cl.** **D8/354; D8/373**

[58] **Field of Search** **D8/354, 373; 248/205.5, 248/206.2, 206.4**

[56] **References Cited**

U.S. PATENT DOCUMENTS

- D. 327,215 6/1992 Pestone D8/373
- D. 357,404 4/1995 Doyle D8/373

Primary Examiner—Holly Baynham
Attorney, Agent, or Firm—Oldham & Oldham Co., LPA

[57] **CLAIM**

The ornamental design for the “suction cup”, as shown and described.

DESCRIPTION

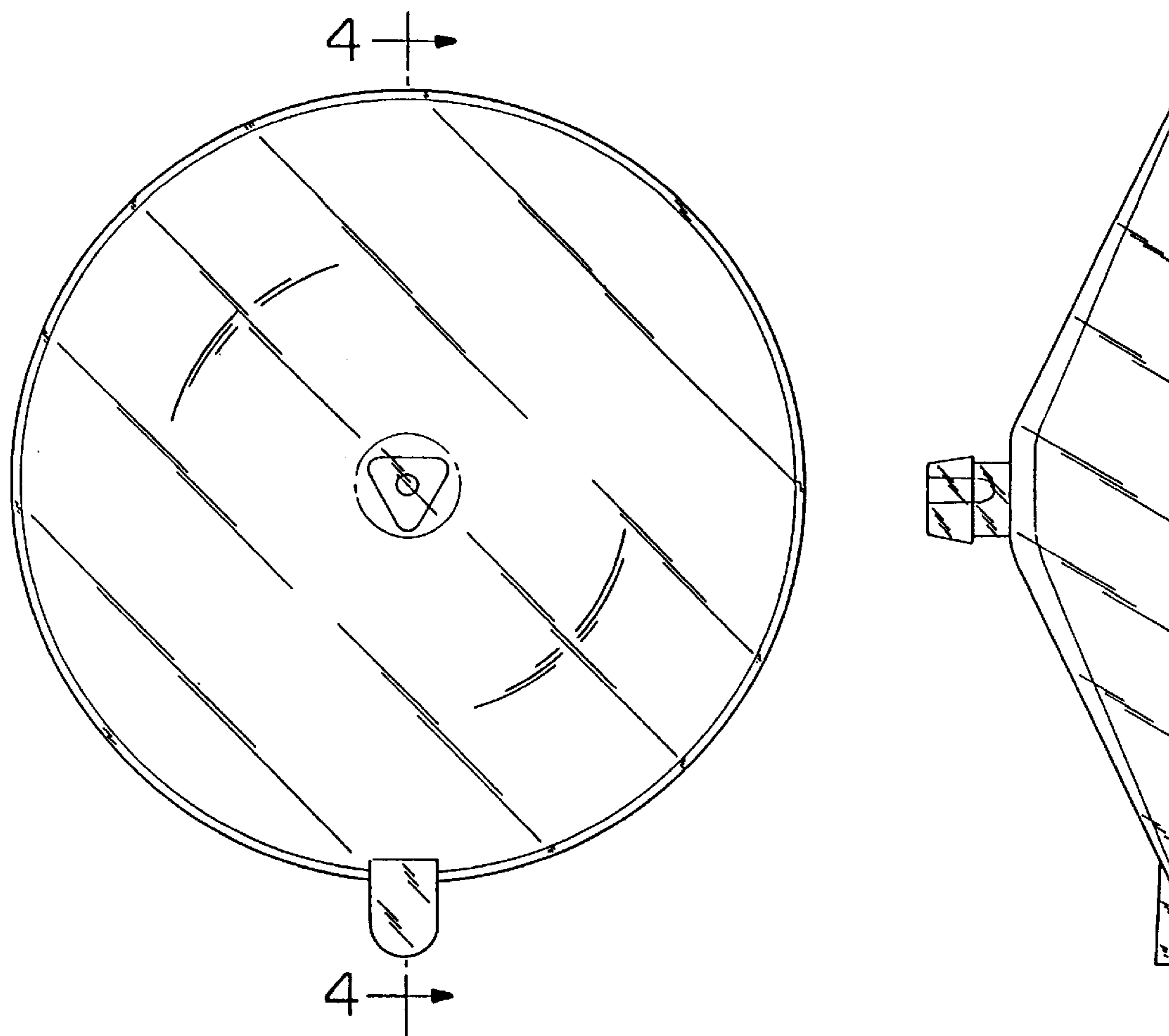
FIG. 1 is a front elevational view of a new design of a suction cup;

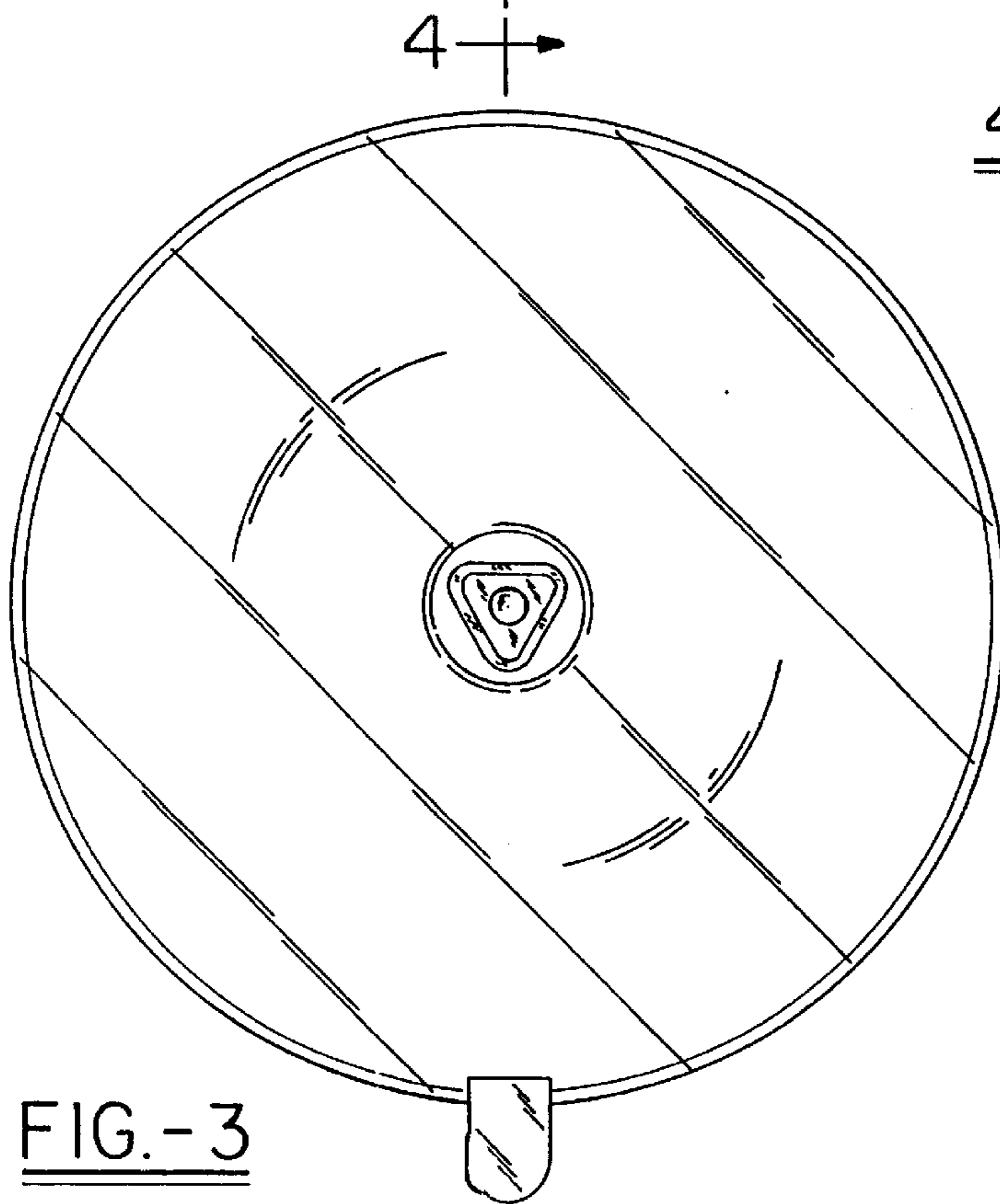
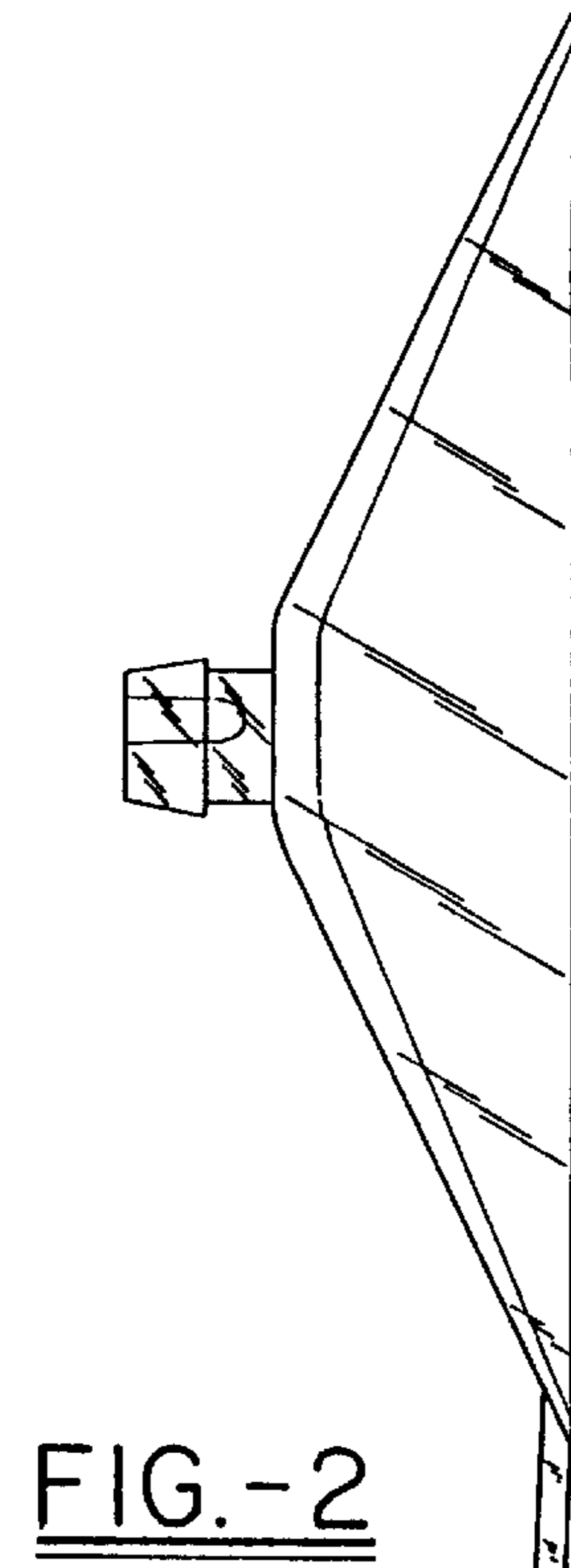
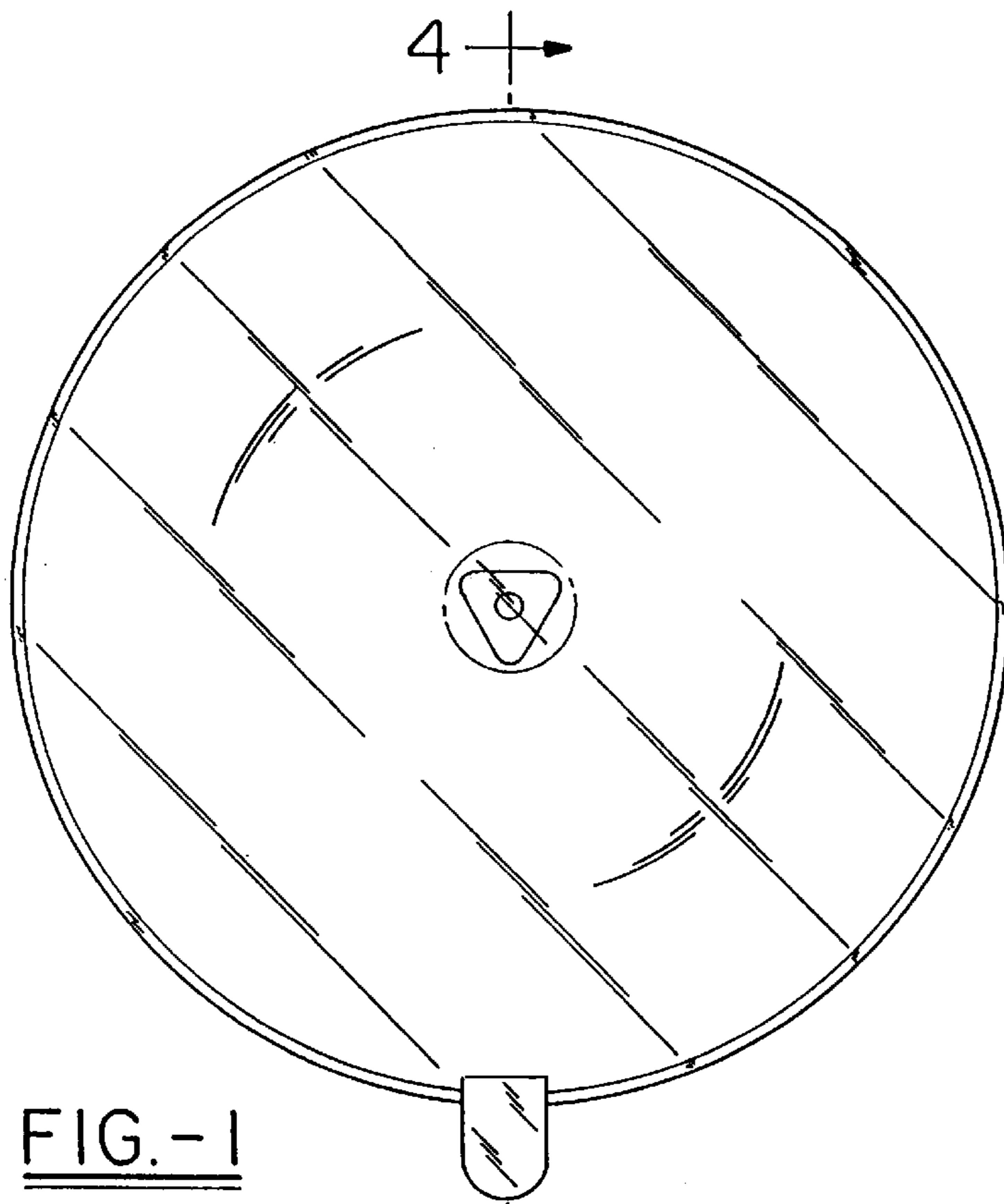
FIG. 2 is a left side elevational view, the right side elevational view being a mirror image thereof, also with reference to FIG. 1;

FIG. 3 is a rear elevational view with reference to FIG. 1; and,

FIG. 4 is an elevational view, taken along line 4—4 in FIG. 1.

1 Claim, 1 Drawing Sheet





4

