



US00D416781S

United States Patent [19]

[11] Patent Number: Des. 416,781

Ward et al.

[45] Date of Patent: ** Nov. 23, 1999

[54] **INLET VALVE MOUNTING PLATE WITH REMOVABLE PROTECTOR**

[75] Inventors: **John Ward**, Midhurst; **Jim McKee**, Barrie, both of Canada

[73] Assignee: **Canplas Industries Ltd.**, Barrie, Canada

[**] Term: **14 Years**

[21] Appl. No.: **29/053,498**

[22] Filed: **Apr. 24, 1996**

[30] **Foreign Application Priority Data**

Oct. 24, 1995 [CA] Canada 1995-2377

[51] **LOC (6) Cl.** **08-05**

[52] **U.S. Cl.** **D8/354**

[58] **Field of Search** D8/354, 349; 248/27.1, 248/300, 309.1, 200; 15/314

3,661,356	5/1972	Tucker .
3,812,444	5/1974	Reno .
3,895,732	7/1975	Robinson et al. .
4,036,389	7/1977	Pate et al. .
4,059,327	11/1977	Vann .
4,211,457	7/1980	Meadows .
4,336,427	6/1982	Lindsay .
4,402,516	9/1983	Gans et al. .
4,473,923	10/1984	Neroni et al. .
4,494,815	1/1985	Brzostek et al. .
4,525,918	7/1985	Puritz .
4,550,958	11/1985	Smith .
4,602,504	7/1986	Barber .
4,618,195	10/1986	Keane .
4,639,055	1/1987	Keane .
4,652,063	3/1987	Genoa et al. .
4,664,457	5/1987	Suchy .
4,732,397	3/1988	Gavin .
4,735,579	4/1988	Muser .
4,758,170	7/1988	Hayden .
4,815,747	3/1989	Wolford .
4,840,574	6/1989	Mills .
4,895,528	1/1990	Choiniere et al. .
4,902,043	2/1990	Zillig et al. .
4,915,640	4/1990	Hayden .
4,920,456	4/1990	Pirdzuns .
4,990,094	2/1991	Chandler et al. .
5,263,502	11/1993	Dick .
5,349,146	9/1994	Radabaugh 15/314 X
5,507,501	4/1996	Palmer .
5,578,795	11/1996	Ward .

[56] **References Cited**

U.S. PATENT DOCUMENTS

871,364	11/1907	Schmidt .
1,099,680	6/1914	Weirich .
1,875,224	8/1932	Despard .
2,174,811	10/1939	White .
2,248,201	7/1941	Russell et al. .
2,806,941	9/1957	Graziani .
3,034,085	5/1962	Pauler et al. .
3,036,170	5/1962	Forney .
3,076,068	1/1963	Racklyeft .
3,127,227	3/1964	Edwards .
3,173,164	3/1965	Congdon .
3,195,095	7/1965	Field .
3,258,553	6/1966	Breslin .
3,283,093	11/1966	Bishop .
3,291,927	12/1966	Riley, Jr. et al. .
3,314,039	4/1967	Opper .
3,335,744	8/1967	Hanford .
3,341,944	9/1967	Ligon .
3,357,039	12/1967	Hayward .
3,465,111	9/1969	Breslin .
3,470,521	9/1969	Downey .
3,483,503	12/1969	Paradiso .
3,565,103	2/1971	Maselek .

FOREIGN PATENT DOCUMENTS

1268795	5/1990	Canada .
1267174	12/1990	Canada .

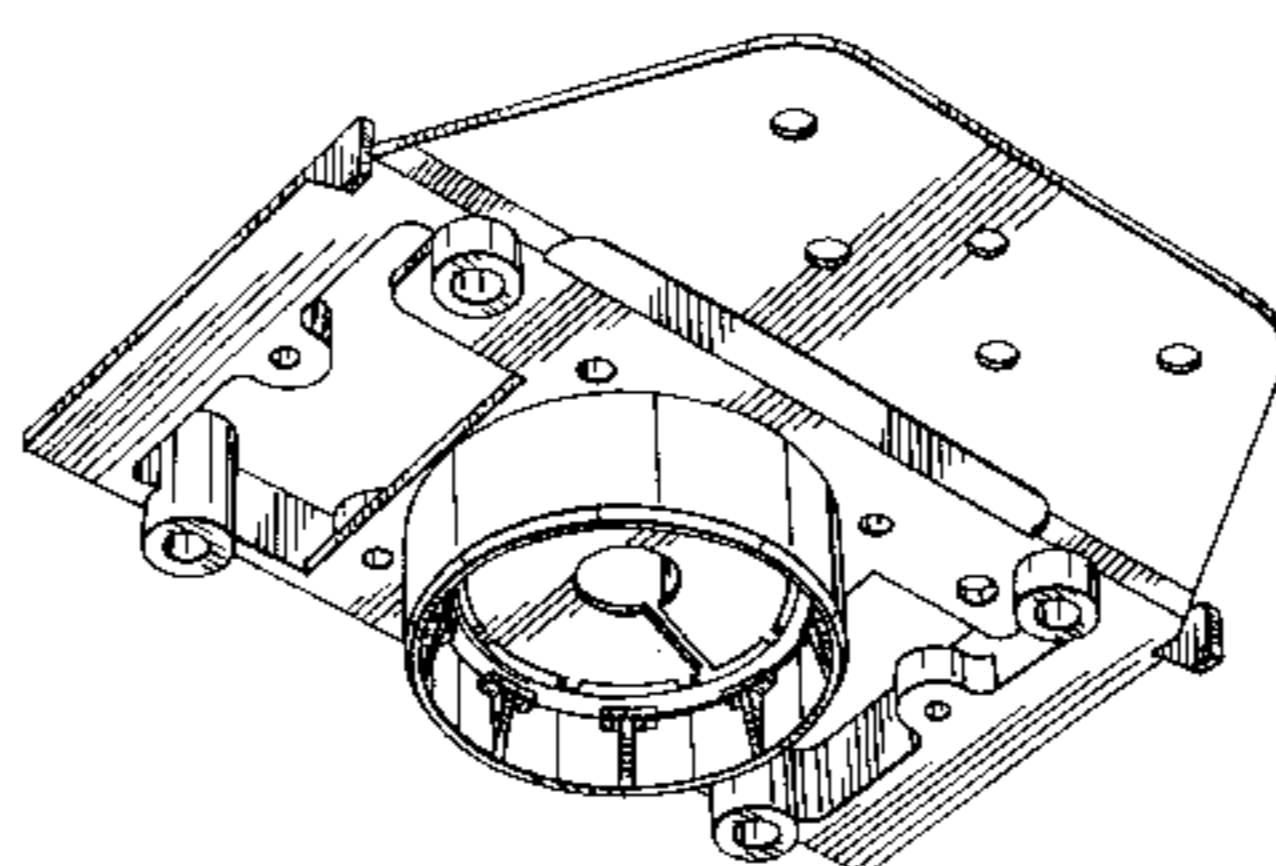
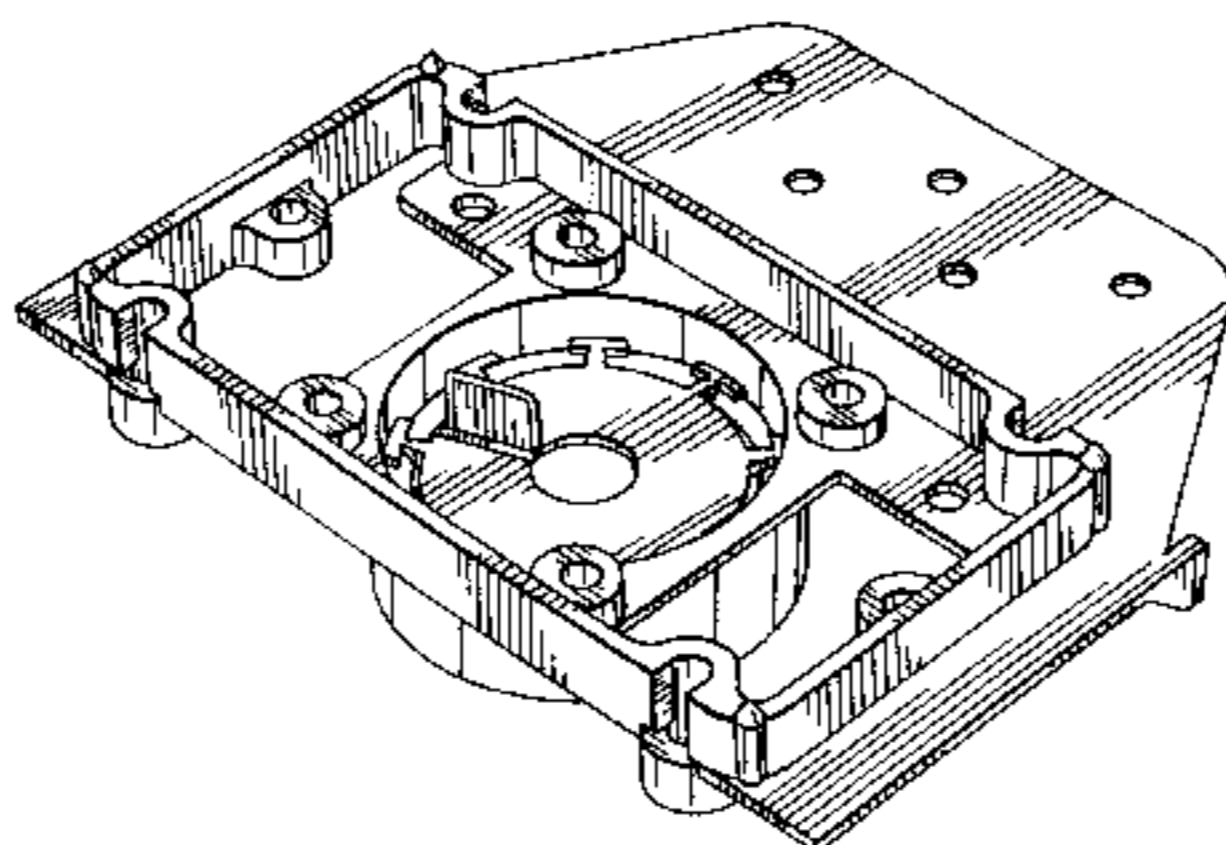
OTHER PUBLICATIONS

MetFlo Brochure H.P. Products Inc. 1988 Part No. 1200.
Hayden T-31-MP 3 pages.
Distributor Price List, H-P Products Inc., Mar. 18, 1985.

Primary Examiner—Susan J. Lucas
Assistant Examiner—Cynthia E. Ramirez

[57] **CLAIM**

The ornamental design for a inlet valve mounting plate with removable protector, as shown.



DESCRIPTION

FIG. 1 is a side perspective of a inlet valve mounting plate with removable protector according to my design.

FIG. 2 is a view from below of our design as shown in FIG. 1.

FIG. 3 is a side view of our design.

FIG. 4 is a plan view of our design.

FIG. 5 is an end view of our design; and,

FIG. 6 shows the opposite side of FIG. 2 of our design.

1 Claim, 3 Drawing Sheets

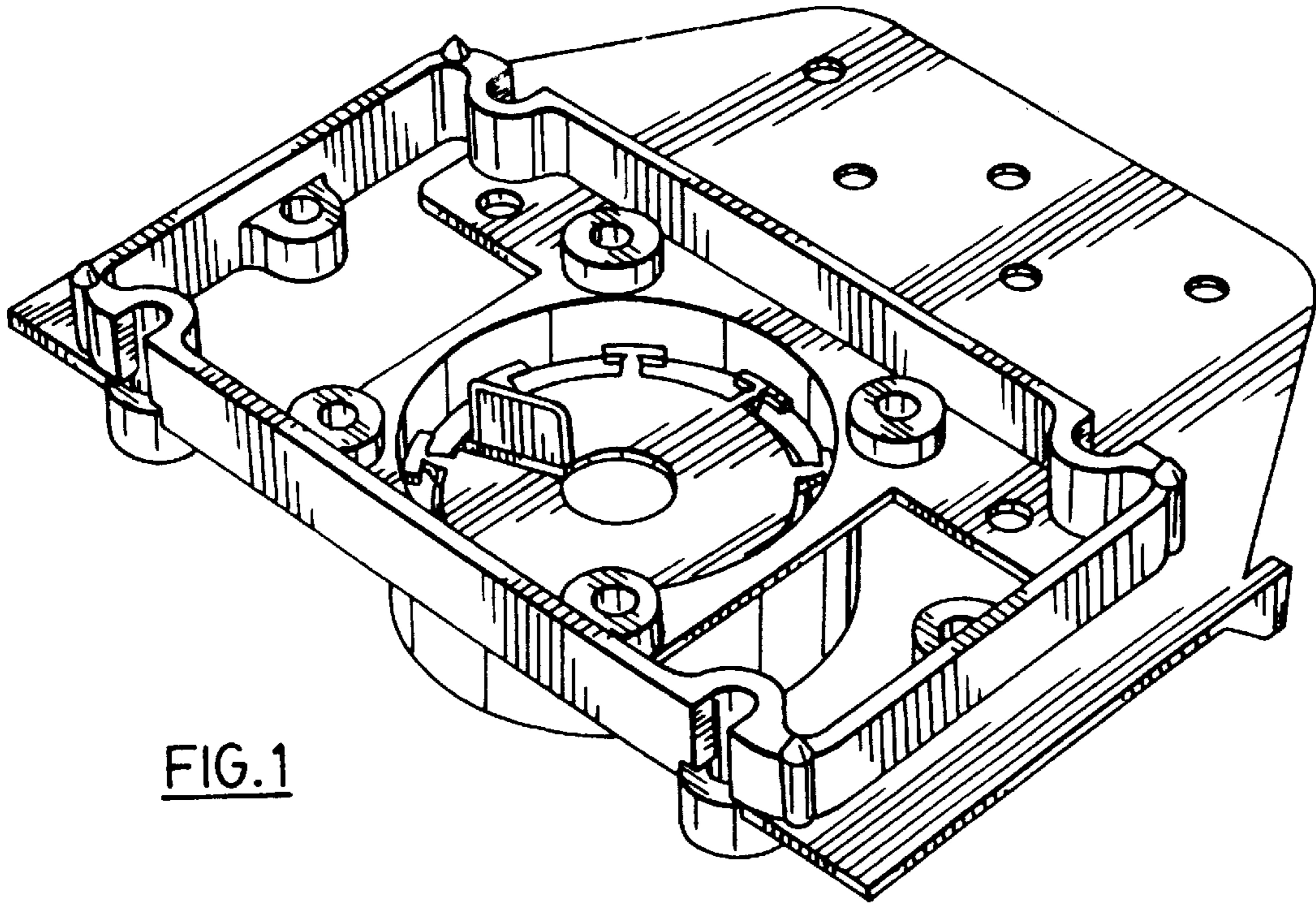


FIG. 1

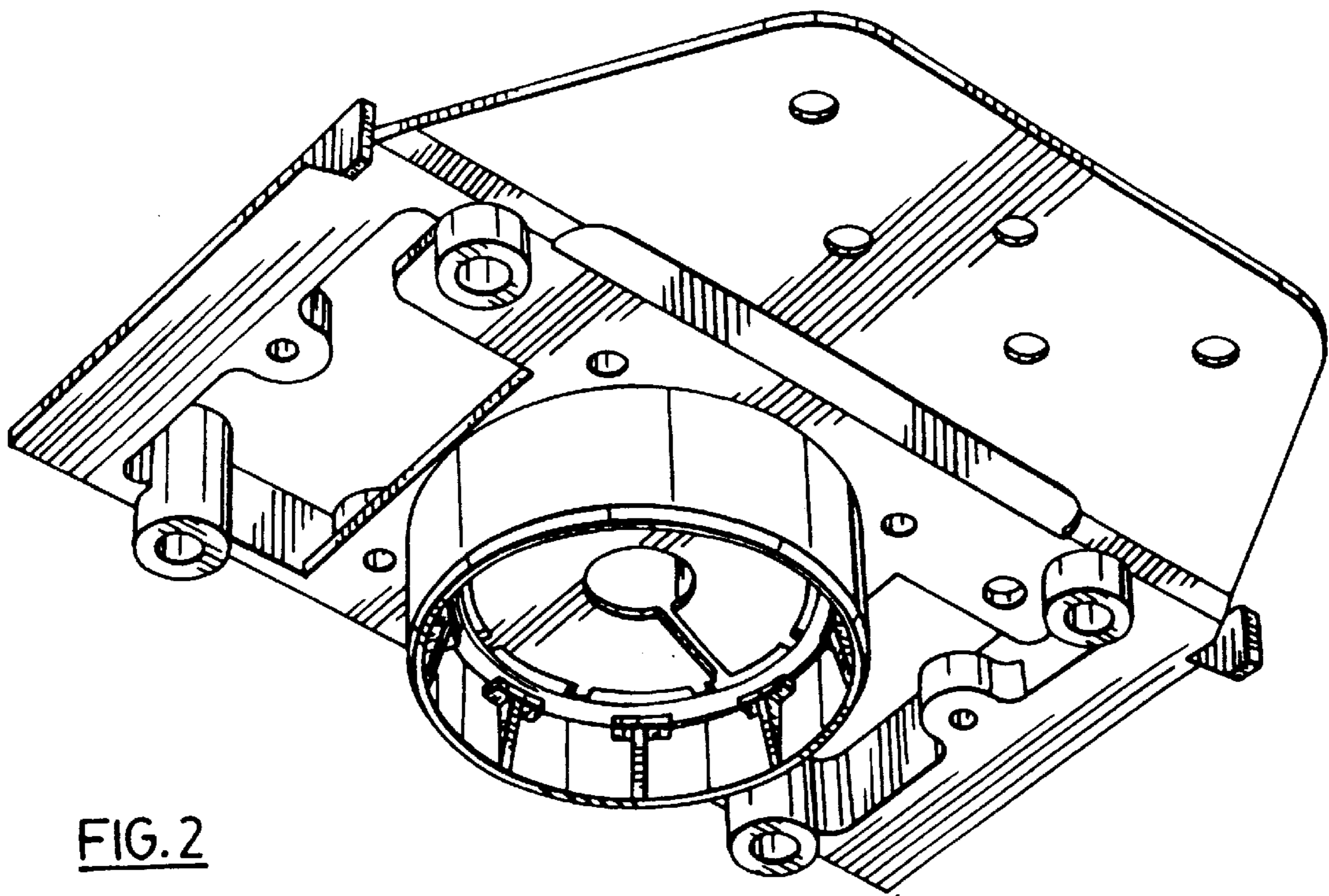
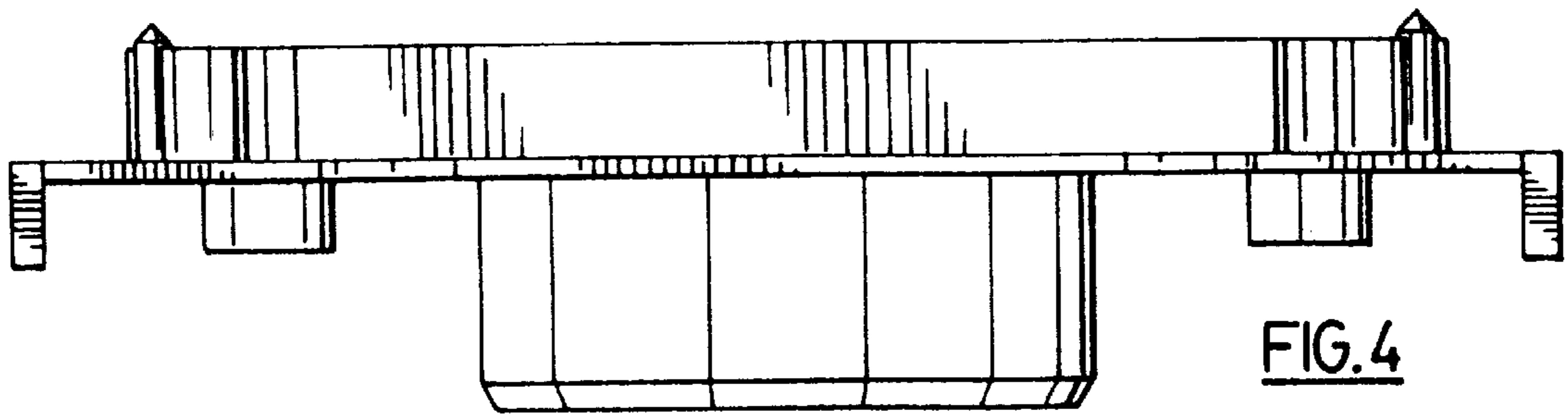
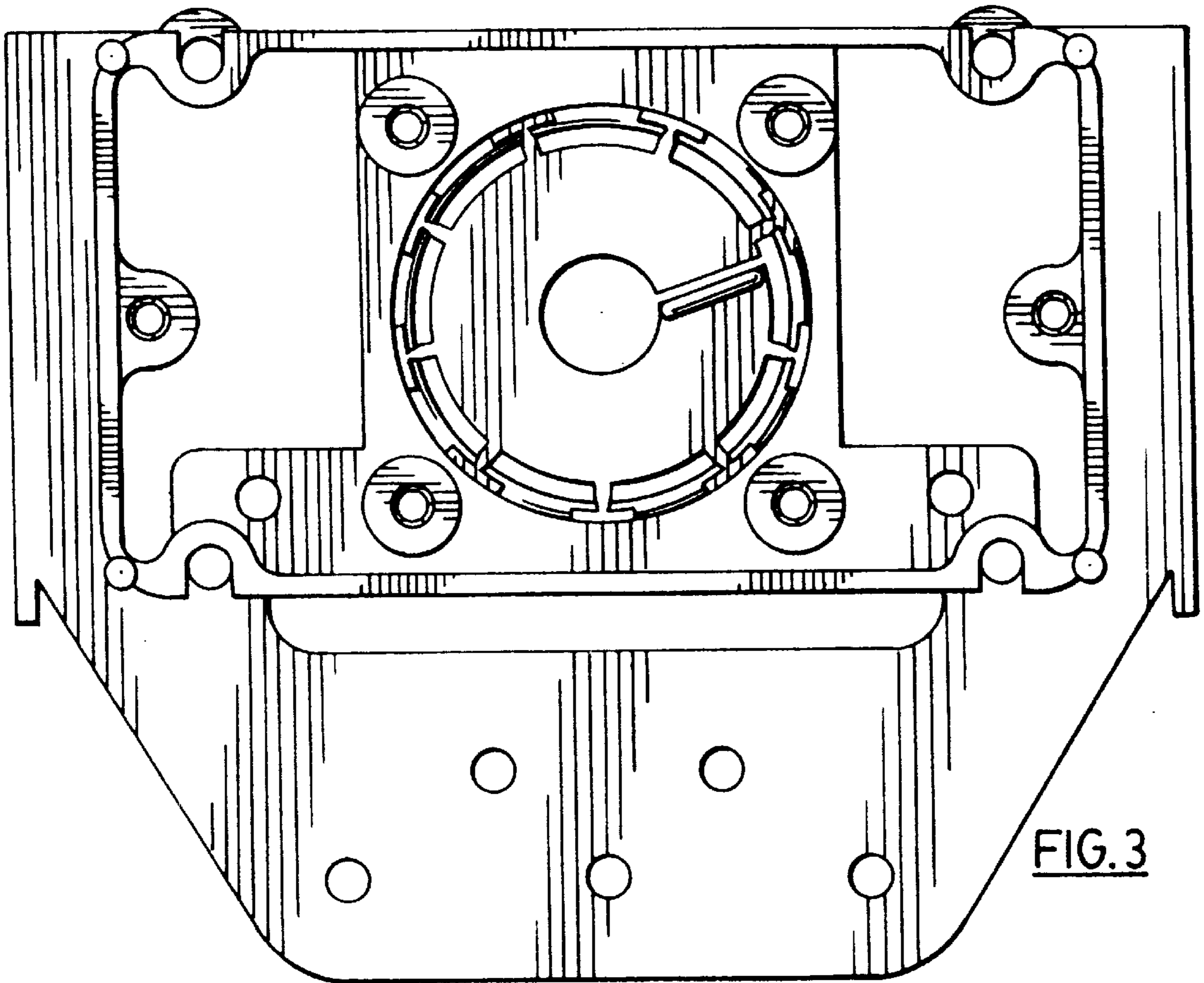


FIG. 2



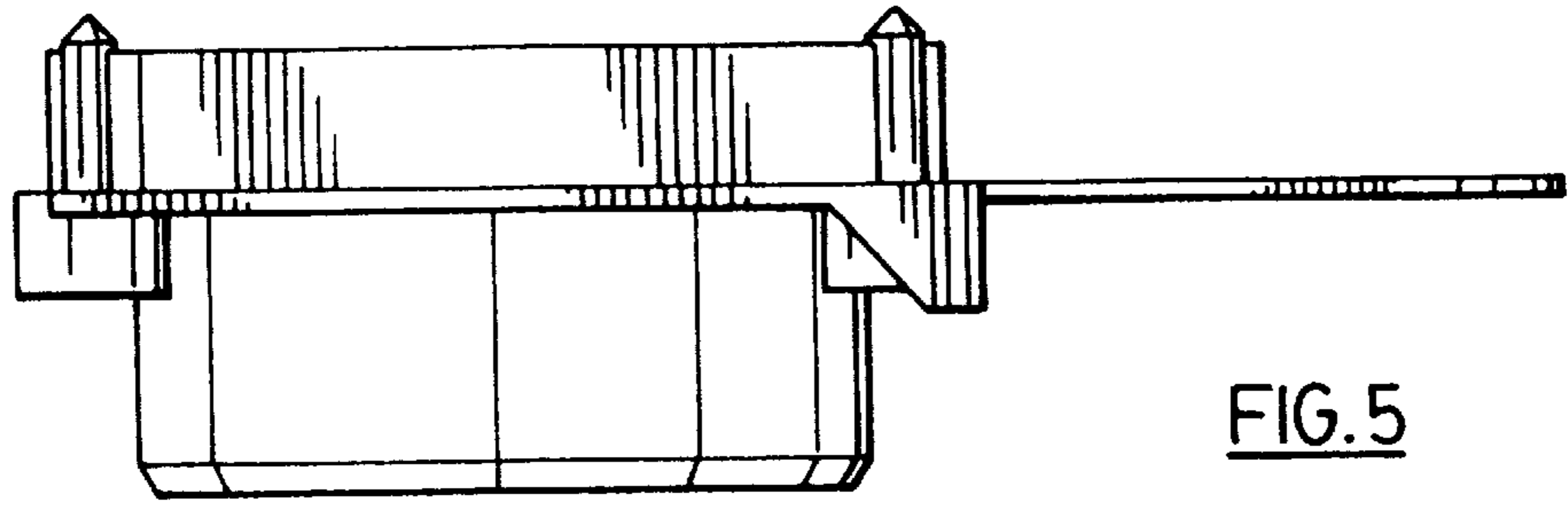


FIG. 5

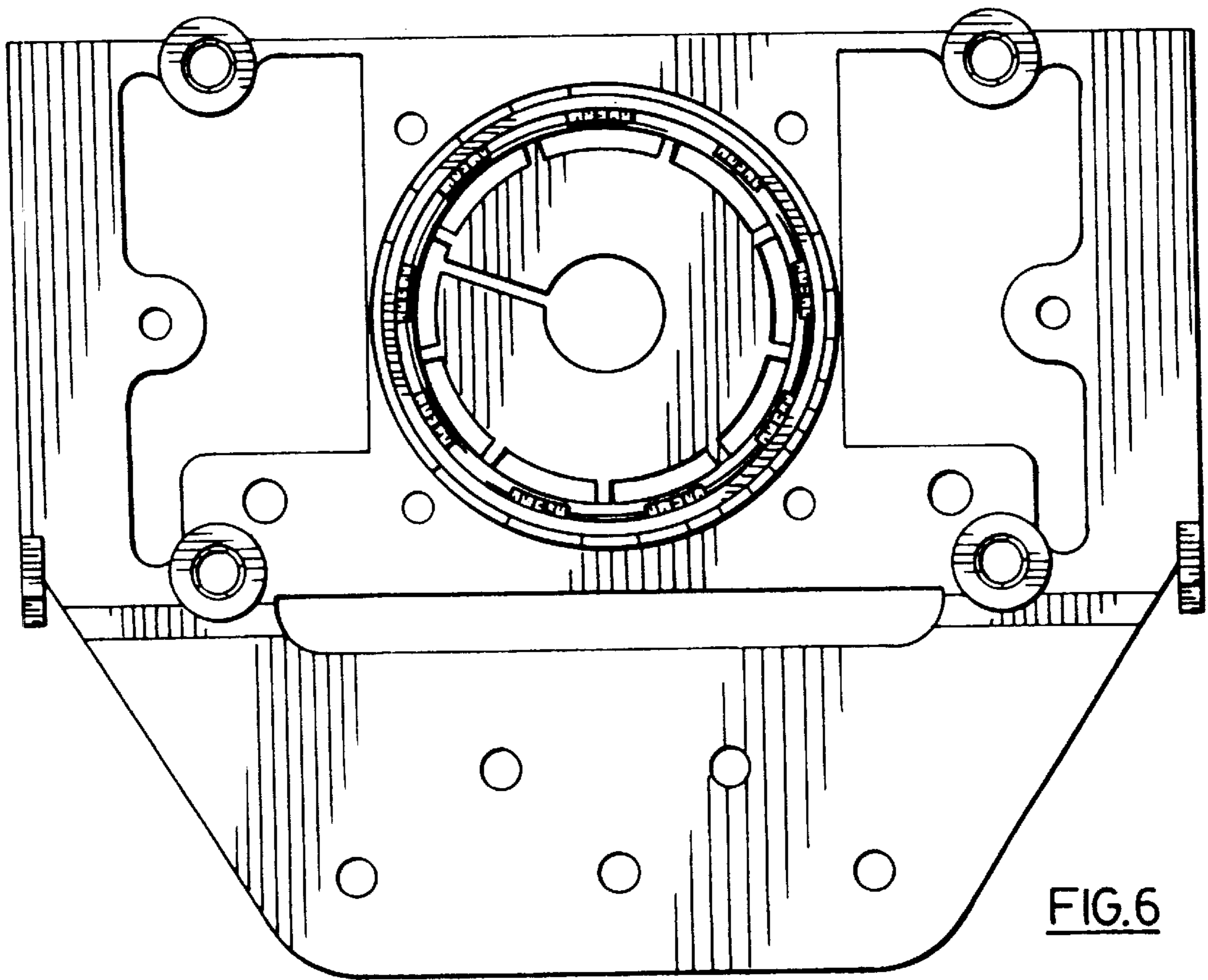


FIG. 6