



US00D416775S

# United States Patent [19]

Hwang et al.

[11] Patent Number: **Des. 416,775**

[45] Date of Patent: **\*\* Nov. 23, 1999**

[54] **PNEUMATIC FASTENER DRIVING TOOL**

[75] Inventors: **Shin-Leei Hwang; George K. Rogers,** both of Cincinnati, Ohio; **Alan J. Goforth,** Alexandria, Ky.; **Jim F. Warner,** Hoboken; **Robert J. Croft,** Jersey City, both of N.J.

[73] Assignee: **Senco Products, Inc.,** Cincinnati, Ohio

[\*\*] Term: **14 Years**

[21] Appl. No.: **29/092,276**

[22] Filed: **Aug. 14, 1998**

[51] **LOC (6) Cl.** ..... **08-05**

[52] **U.S. Cl.** ..... **D8/69**

[58] **Field of Search** ..... D8/61, 67-70;  
227/5-10, 109, 120, 130-1

[56] **References Cited**

**U.S. PATENT DOCUMENTS**

- D. 219,259 11/1970 Perkins ..... D8/61
- D. 241,501 9/1976 Doyle et al. .... D8/49

- D. 282,345 1/1986 Fehrs ..... D8/49
- D. 288,060 2/1987 Somers ..... D8/69
- D. 322,204 12/1991 Lee ..... D8/61
- D. 338,818 8/1993 Katsuba ..... D8/62
- D. 365,974 1/1996 Matuschek ..... D8/69
- 4,558,811 12/1985 Klaus ..... 227/116

*Primary Examiner*—Nelson C. Holtje  
*Attorney, Agent, or Firm*—Jerrold J. Litzinger

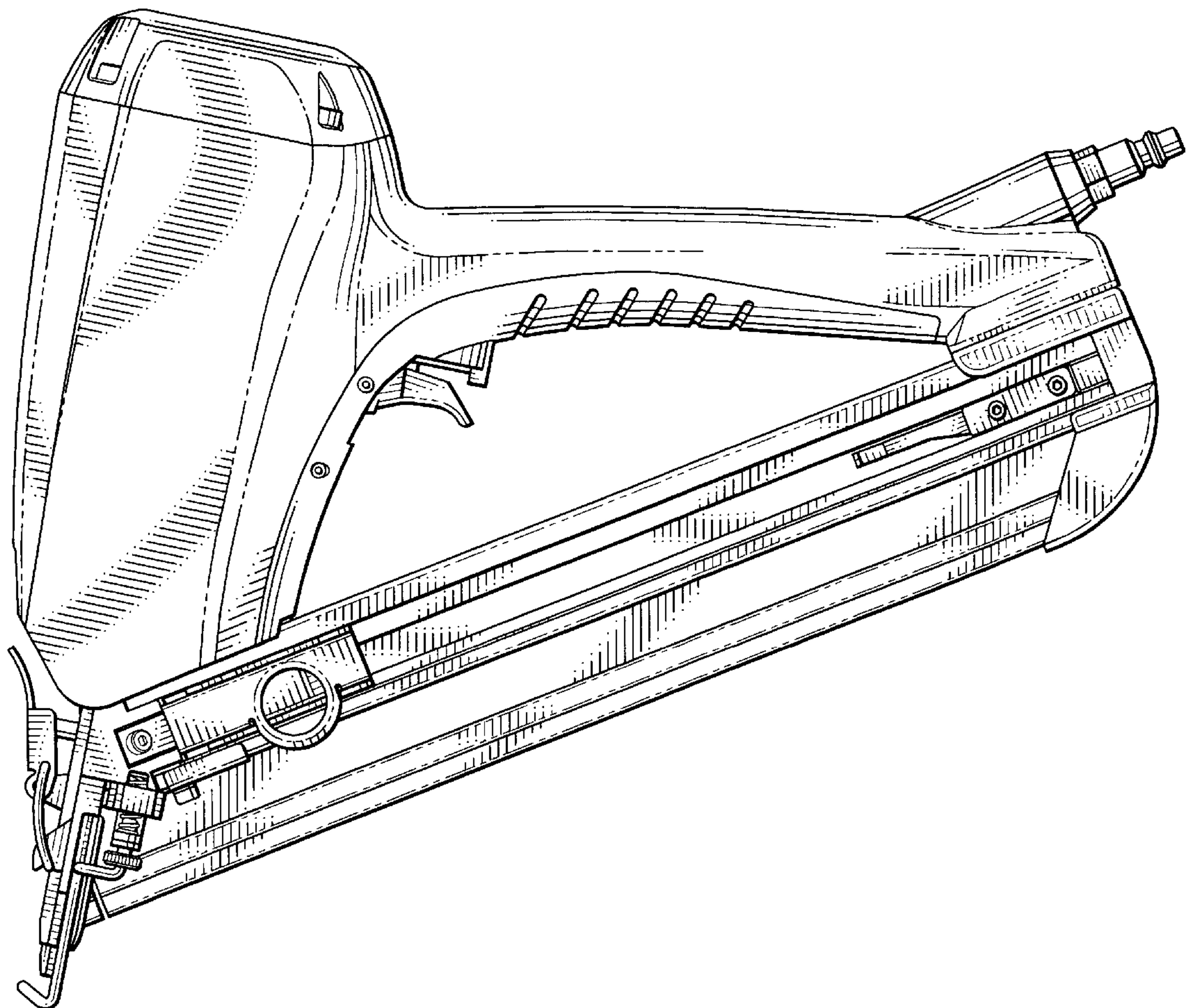
[57] **CLAIM**

The ornamental design for a pneumatic fastener driving tool, as shown and described.

**DESCRIPTION**

FIG. 1 is a perspective view of a pneumatic fastener driving tool showing our new design, looking at the top, front, and left side;  
 FIG. 2 is a left side elevational view thereof;  
 FIG. 3 is a right side elevational view thereof;  
 FIG. 4 is a top plan view thereof;  
 FIG. 5 is a bottom plan view thereof;  
 FIG. 6 is a front elevational view thereof; and,  
 FIG. 7 is a rear elevational view thereof.

**1 Claim, 5 Drawing Sheets**



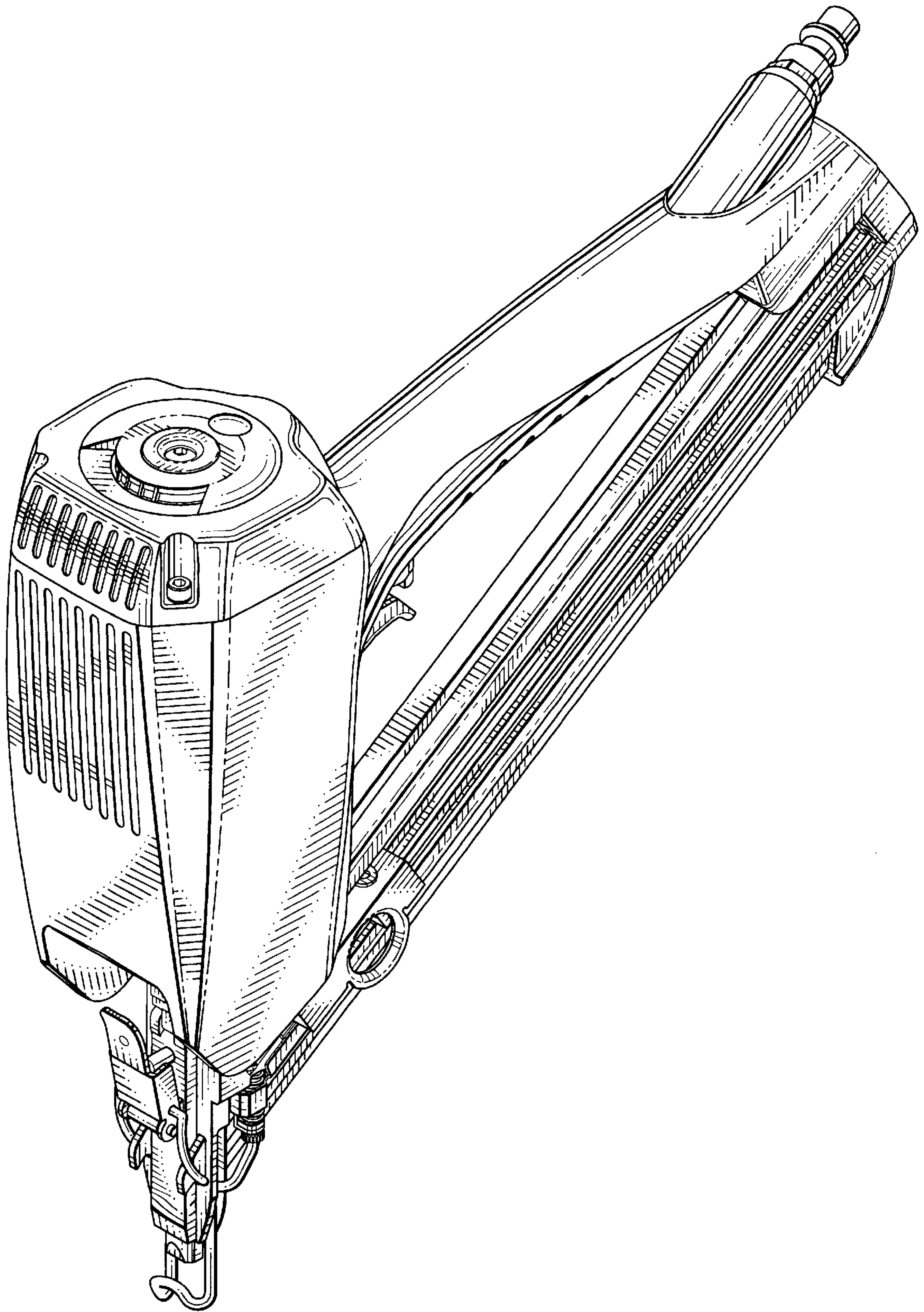


FIG. 1



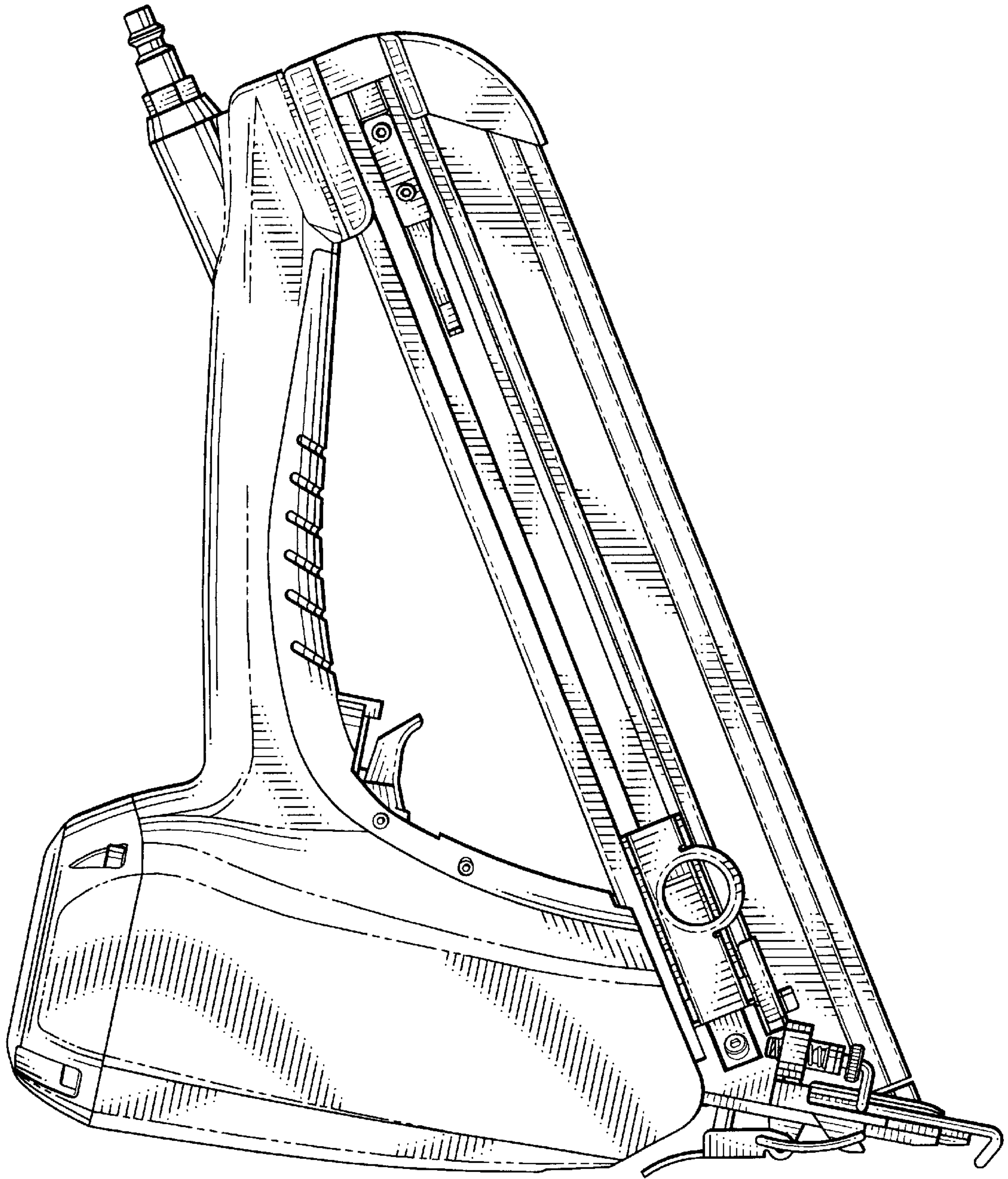


FIG. 2

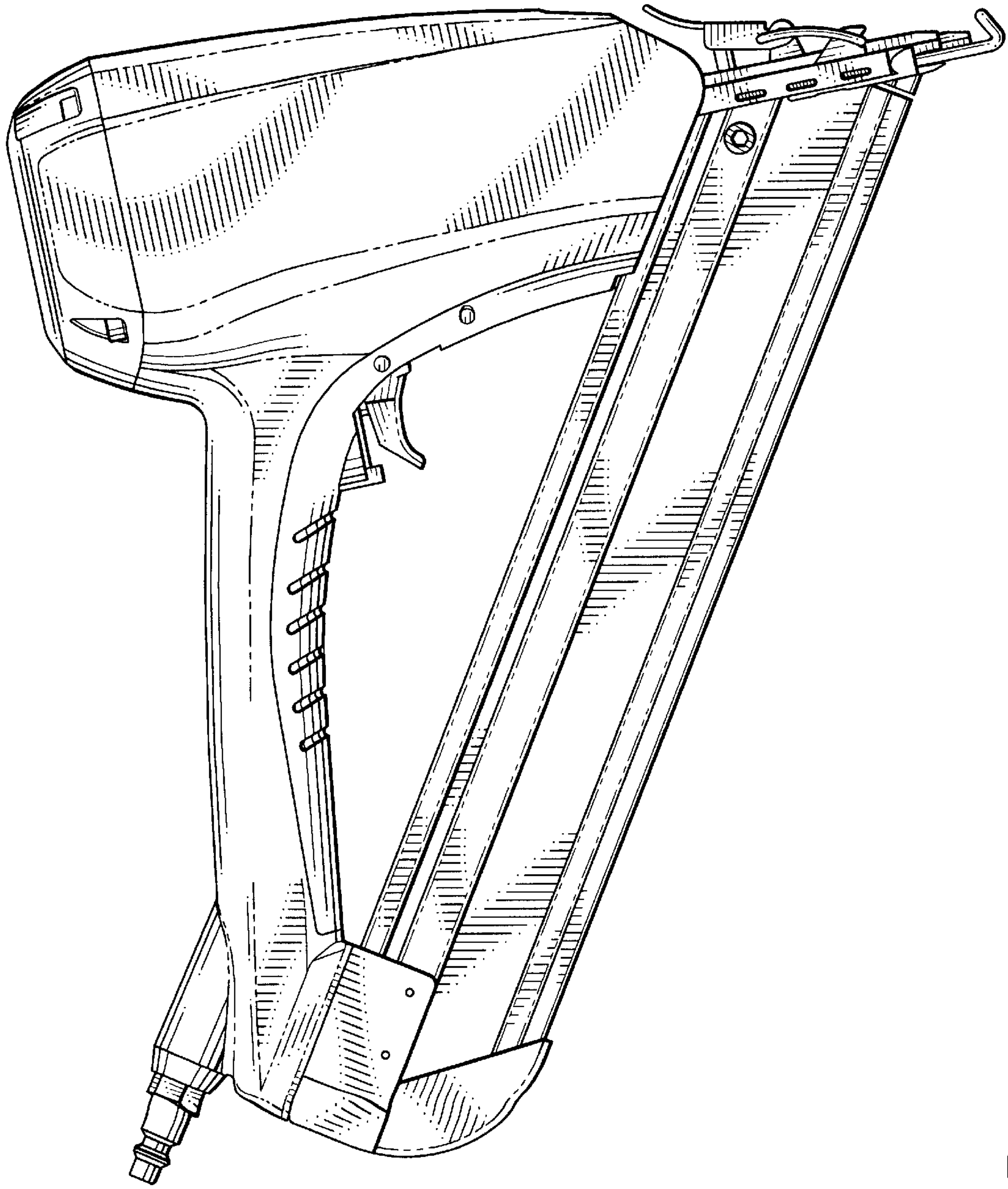


FIG. 3

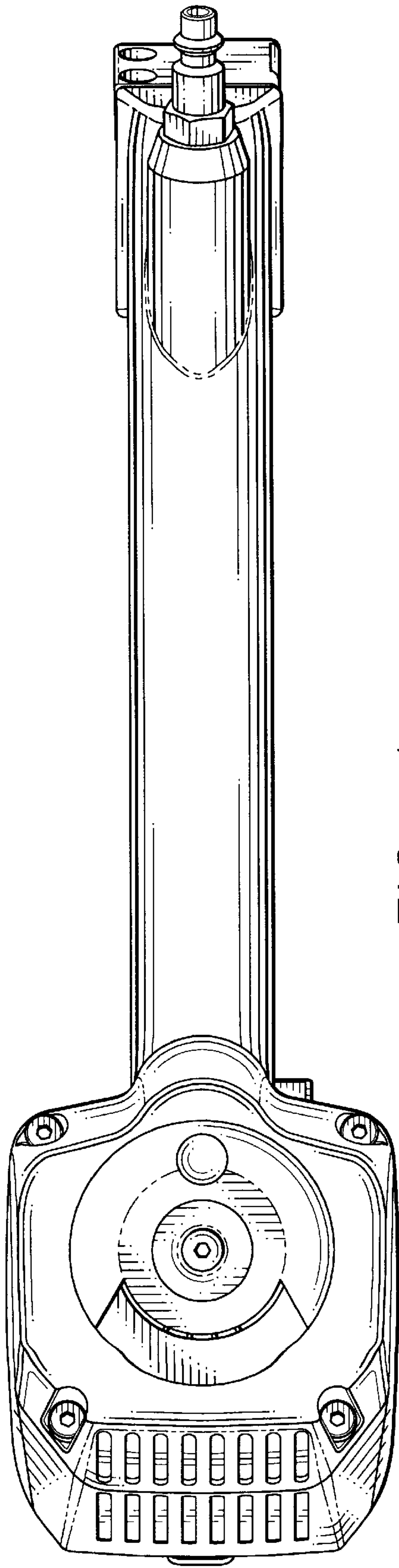


FIG. 4

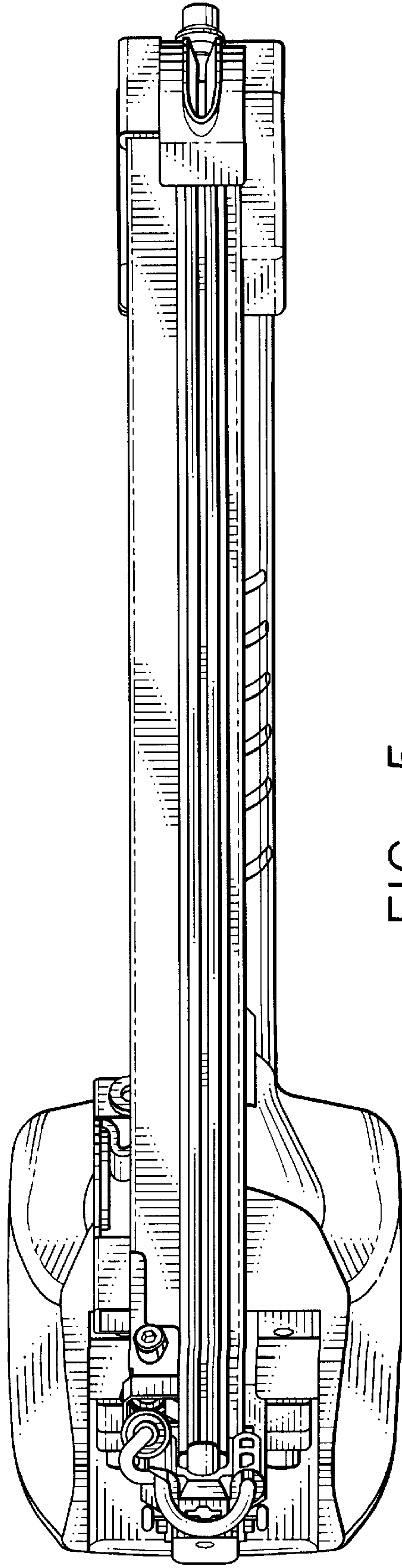


FIG. 5



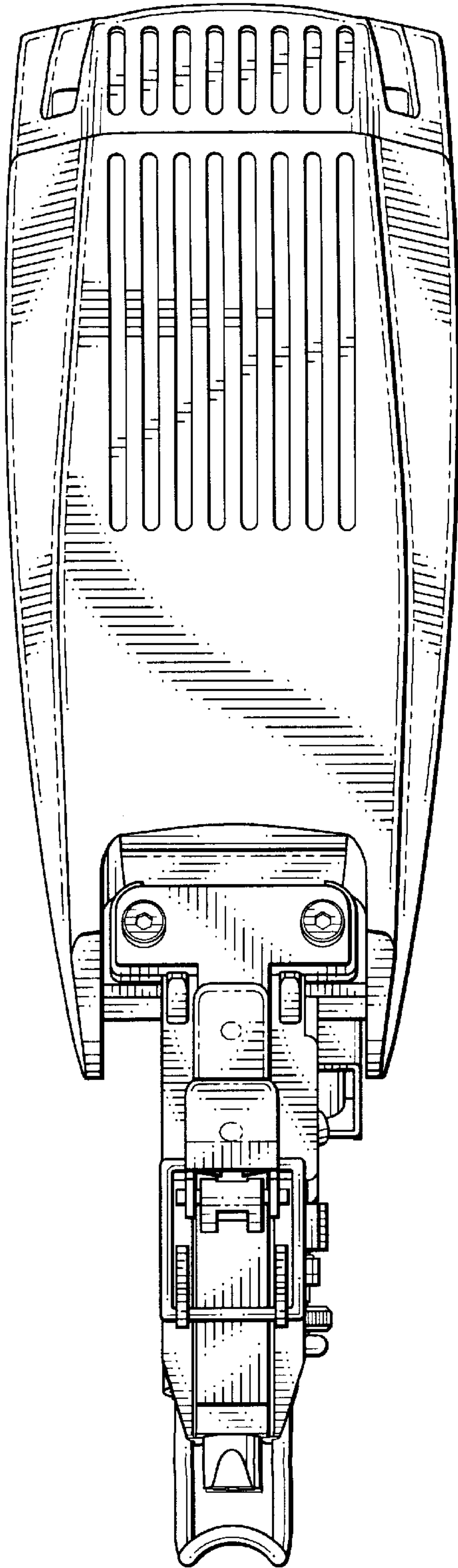


FIG. 6

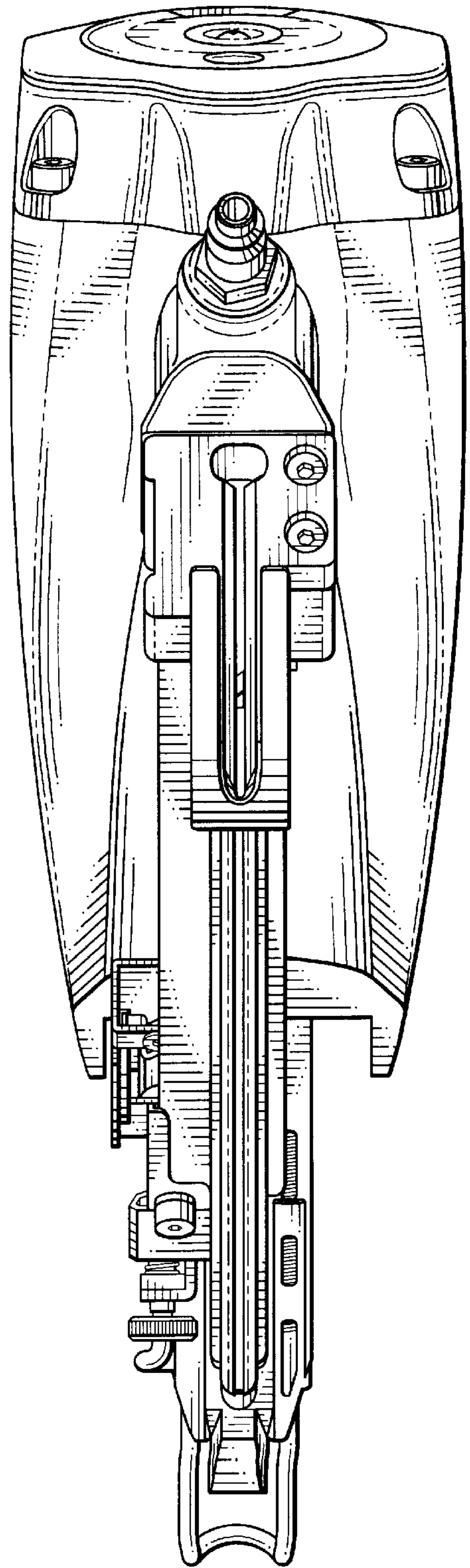


FIG. 7