



US00D416771S

United States Patent [19] Cagle

[11] **Patent Number: Des. 416,771**

[45] **Date of Patent: ** Nov. 23, 1999**

[54] **PAINT SHIELD WITH CORNER INDENTATIONS**

D. 392,855 3/1998 Pillow D8/14
4,962,722 10/1990 Thompson 118/504
5,103,762 4/1992 Long et al. 118/504

[76] Inventor: **Roy C. Cagle**, 3022 Forest La., No. 123, Dallas, Tex. 75234

[**] Term: **14 Years**

Primary Examiner—Ted Shooman
Assistant Examiner—Richelle Shelton
Attorney, Agent, or Firm—Jerry C. Ray

[21] Appl. No.: **29/078,255**

[57] **CLAIM**

[22] Filed: **Oct. 23, 1997**

The ornamental design for a paint shield with corner indentations, as shown and described.

[51] **LOC (6) Cl.** **08-05**

[52] **U.S. Cl.** **D8/14**

[58] **Field of Search** D8/14, 45; D32/40, D32/46, 49; 15/236.01; 7/105; 30/169; 118/504

DESCRIPTION

FIG. 1 is a front elevation of a paint shield with corner indentations.

FIG. 2 is a bottom plan view thereof.

FIG. 3 is a top plan view thereof.

FIG. 4 is a rear elevation thereof.

FIG. 5 is a left side elevation thereof.

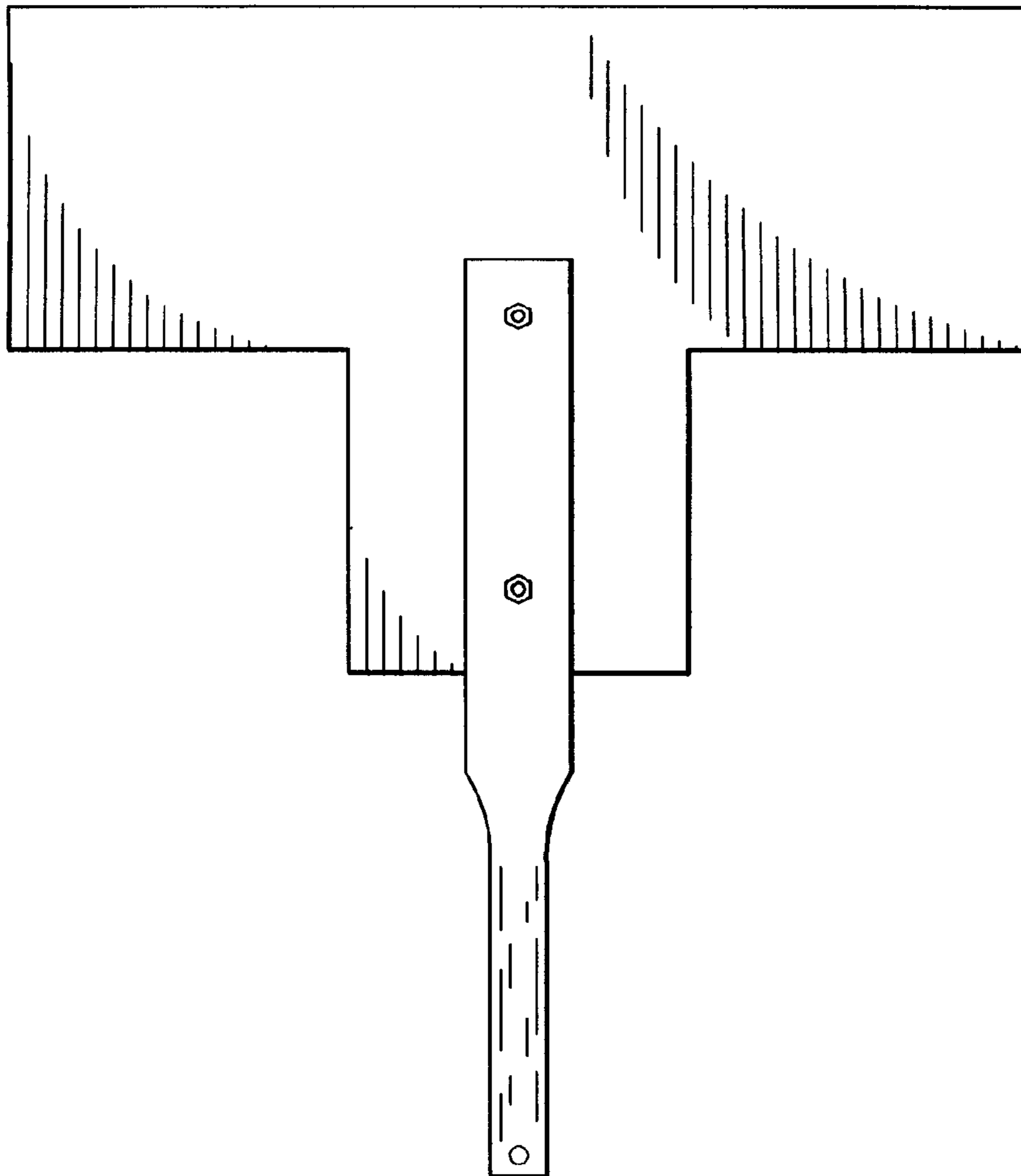
FIG. 6 is a right side elevation thereof.

[56] **References Cited**

U.S. PATENT DOCUMENTS

D. 248,725 8/1978 McClane D8/14
D. 280,109 8/1985 Lewis et al. D32/40 X

1 Claim, 3 Drawing Sheets



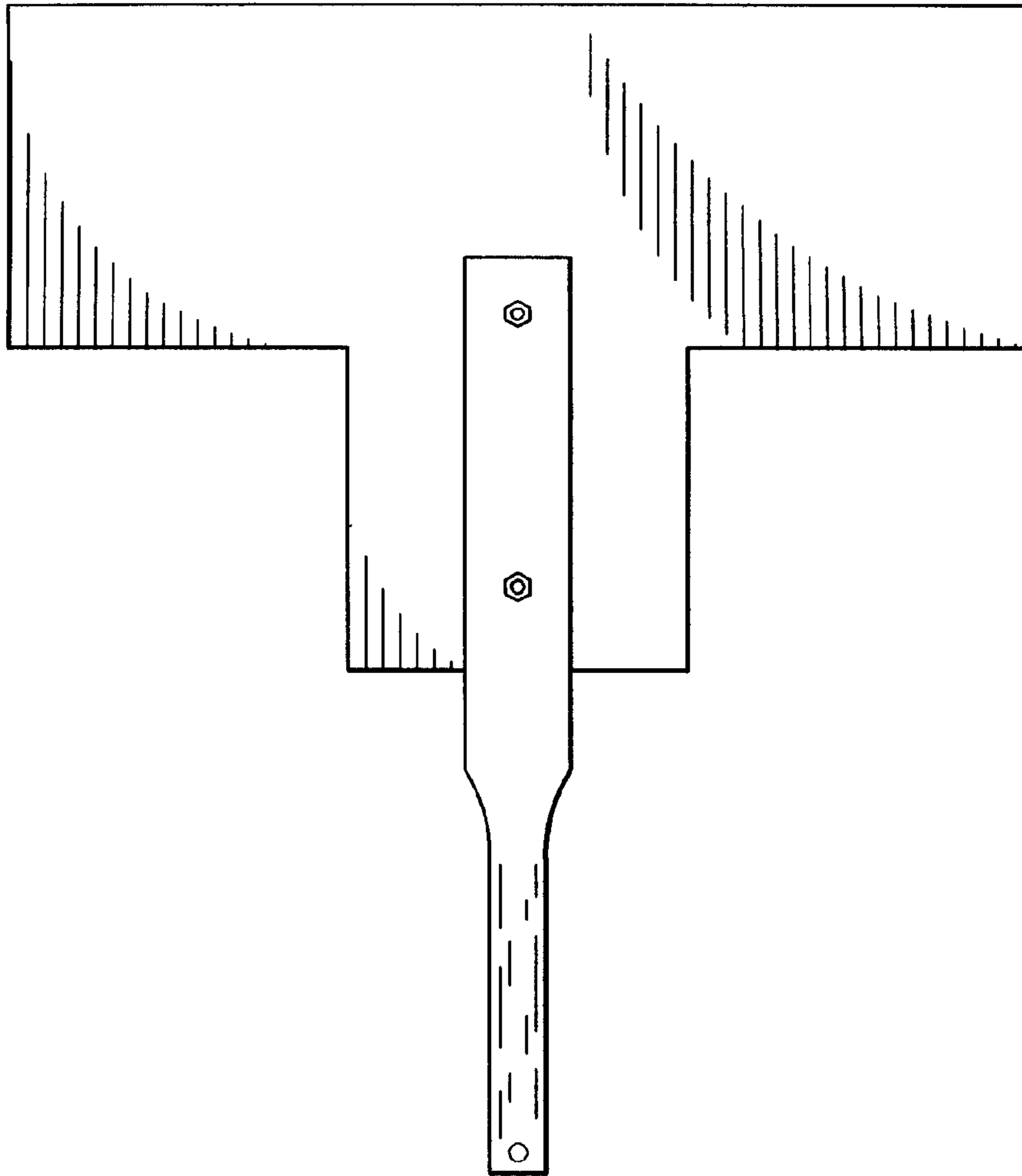


Fig. 1



Fig. 2

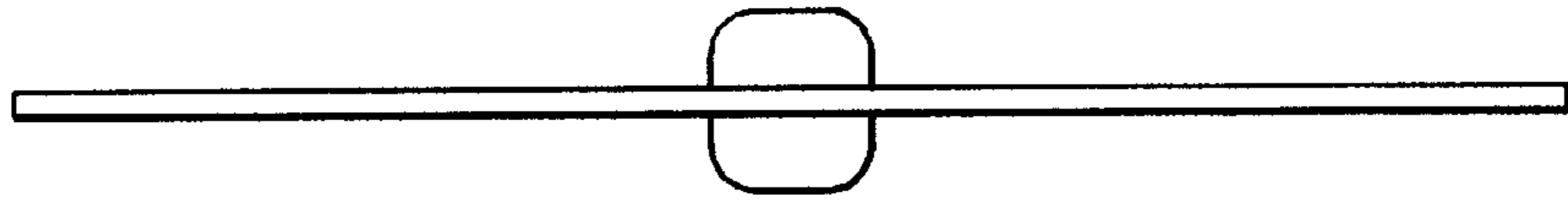


Fig. 3

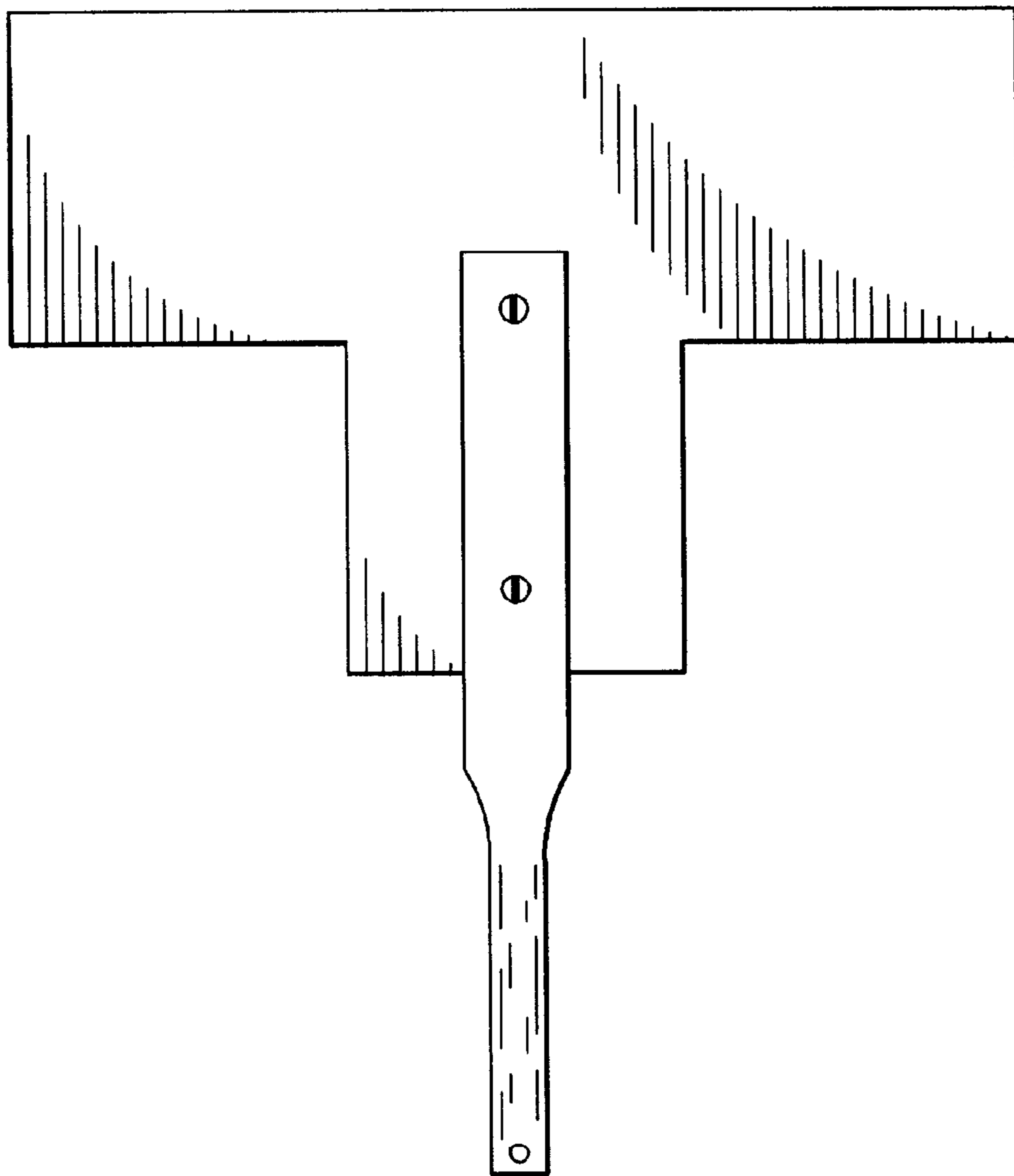


Fig. 4

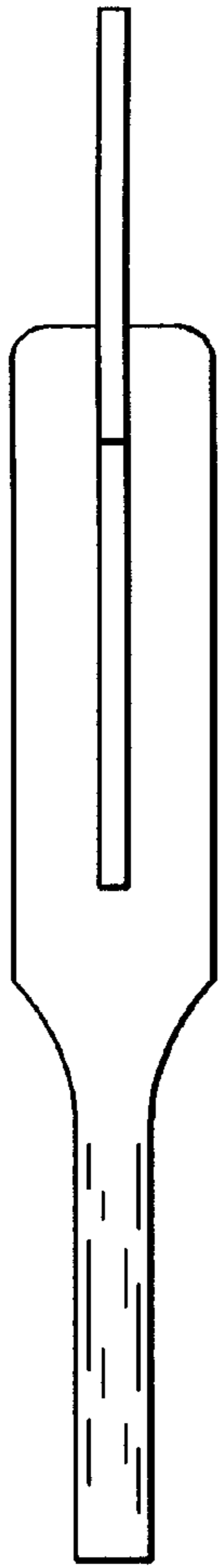


Fig. 5

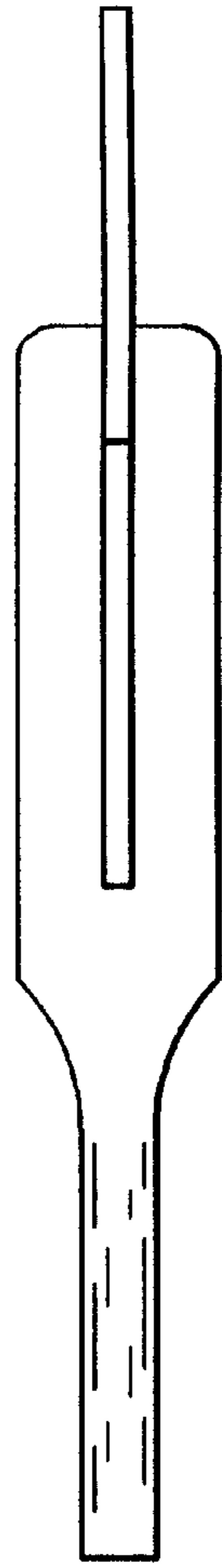


Fig. 6