



US00D416767S

# United States Patent [19]

Repac et al.

[11] Patent Number: Des. 416,767

[45] Date of Patent: \*\* Nov. 23, 1999

[54] GARLIC CUTTER

D. 393,400 4/1998 Chin ..... D7/693

[75] Inventors: **Cedomir Repac**, Brechen, Germany;  
**Culig Branko**, Gradac, Slovenia

*Primary Examiner*—Terry Wallace  
*Attorney, Agent, or Firm*—Liniak, Berenato, Longacre & White

[73] Assignee: **Petra Repac**, Brechen, Germany

### [57] CLAIM

[\*\*] Term: **14 Years**

The ornamental design for a garlic cutter, as shown and described.

[21] Appl. No.: **29/091,980**

[22] Filed: **Aug. 10, 1998**

### DESCRIPTION

### [30] Foreign Application Priority Data

Feb. 11, 1998 [DE] Germany ..... 98 01 297

FIG. 1 is a top, front perspective view of the garlic cutter according to the present design;

[51] LOC (6) Cl. .... **07-04**

[52] U.S. Cl. .... **D7/665; D7/693**

FIG. 2 is a front view of the garlic cutter as shown in FIG. 1.

[58] Field of Search ..... D7/665, 666, 679,  
D7/590, 372, 373, 376, 693; 99/538, 495;  
241/95, 168, 169

FIG. 3 is a rear view of the garlic cutter as shown in FIG. 1.

FIG. 4 is a left side view of the garlic cutter as shown in FIG. 1.

FIG. 5 is a right side view of the garlic cutter as shown in FIG. 1.

### [56] References Cited

#### U.S. PATENT DOCUMENTS

D. 266,824 11/1982 Harris ..... D7/665  
D. 362,791 10/1995 Ming ..... D7/665

FIG. 6 is a top view of the garlic cutter as shown in FIG. 1.

FIG. 7 is a bottom view of the garlic cutter as shown in FIG. 1.

**1 Claim, 4 Drawing Sheets**

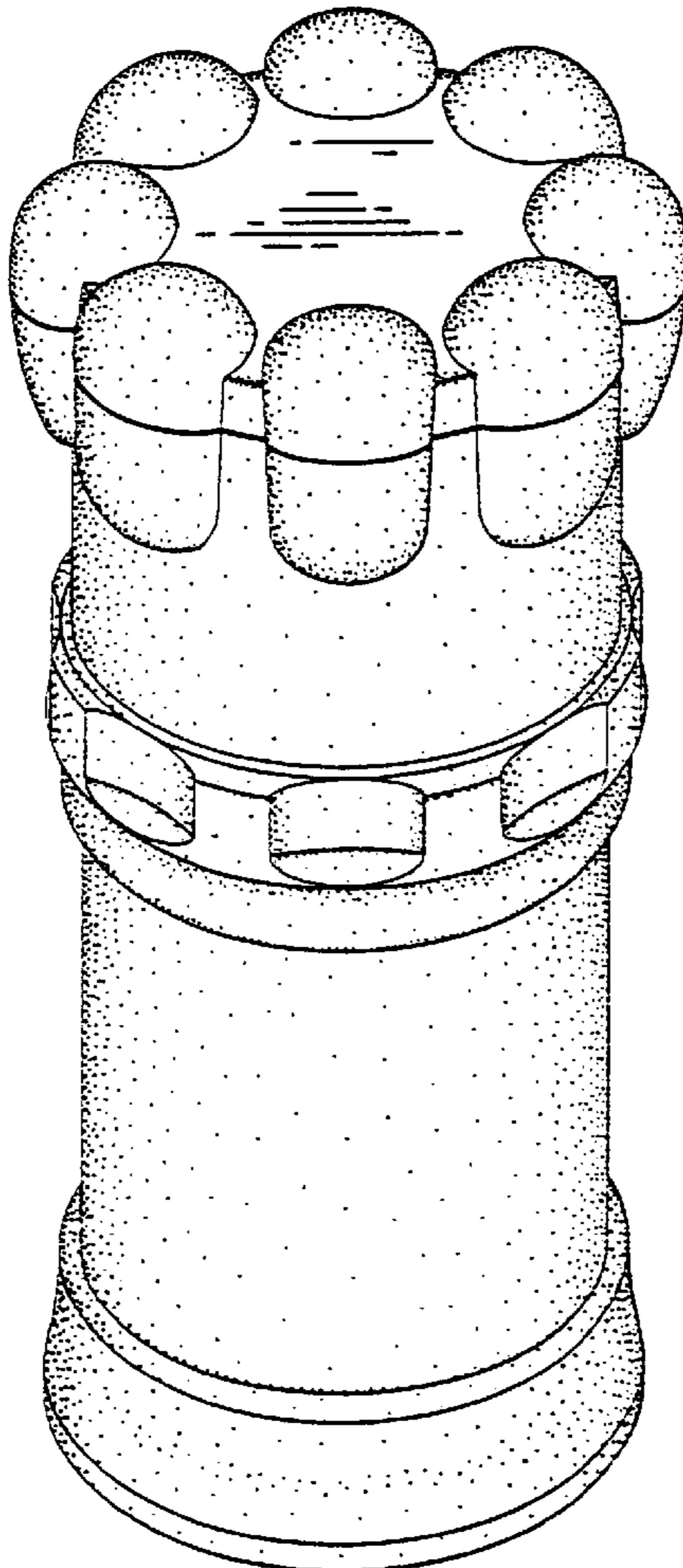


FIG. 1

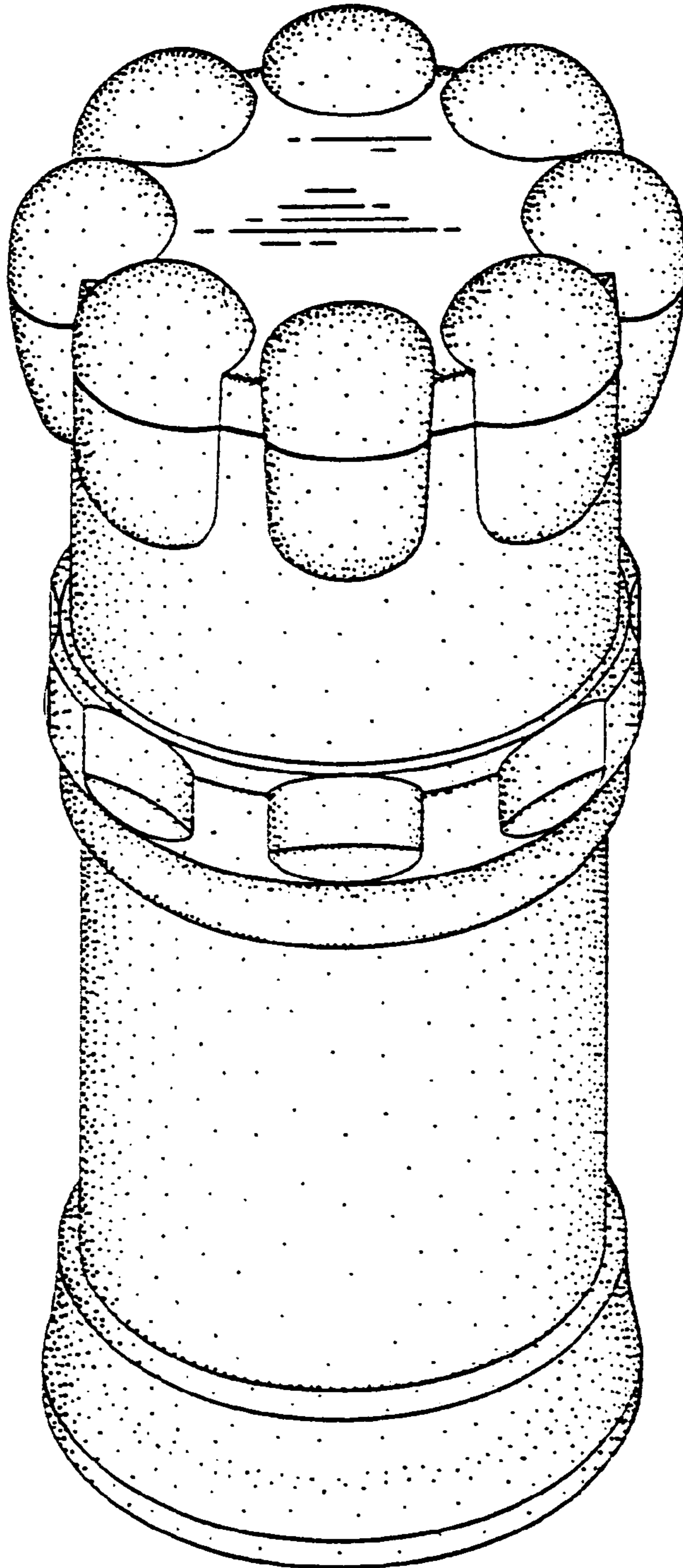


FIG. 3

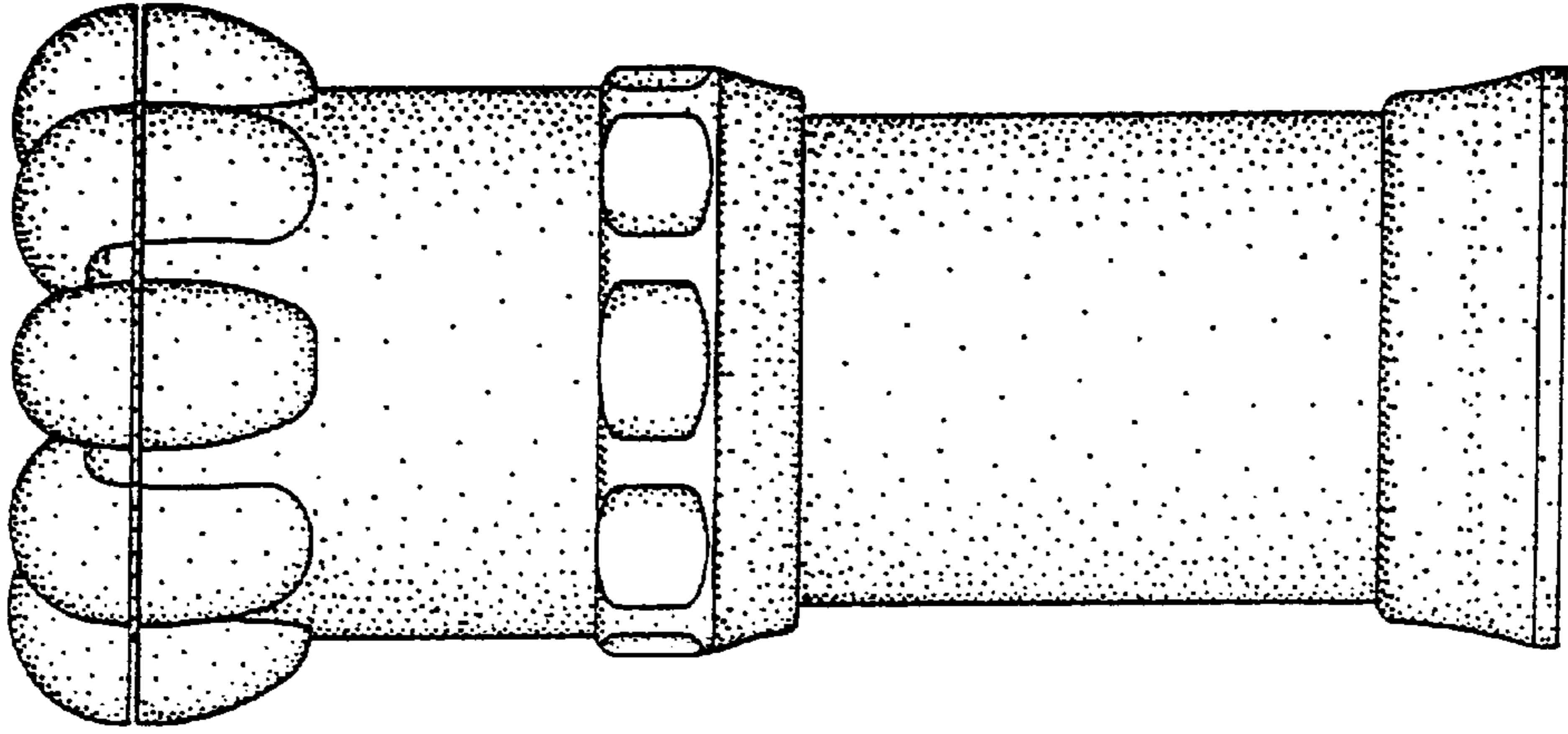


FIG. 2

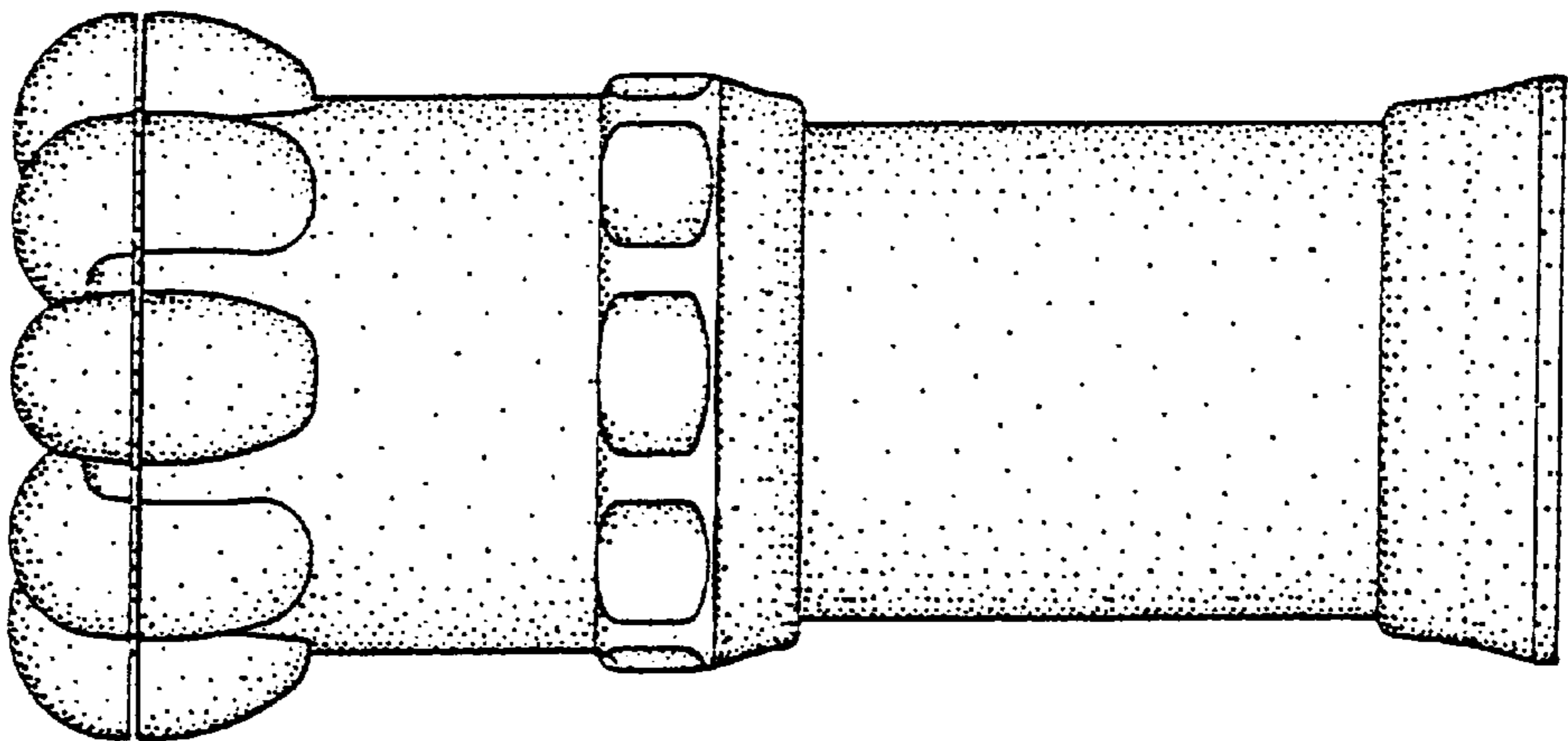


FIG. 5

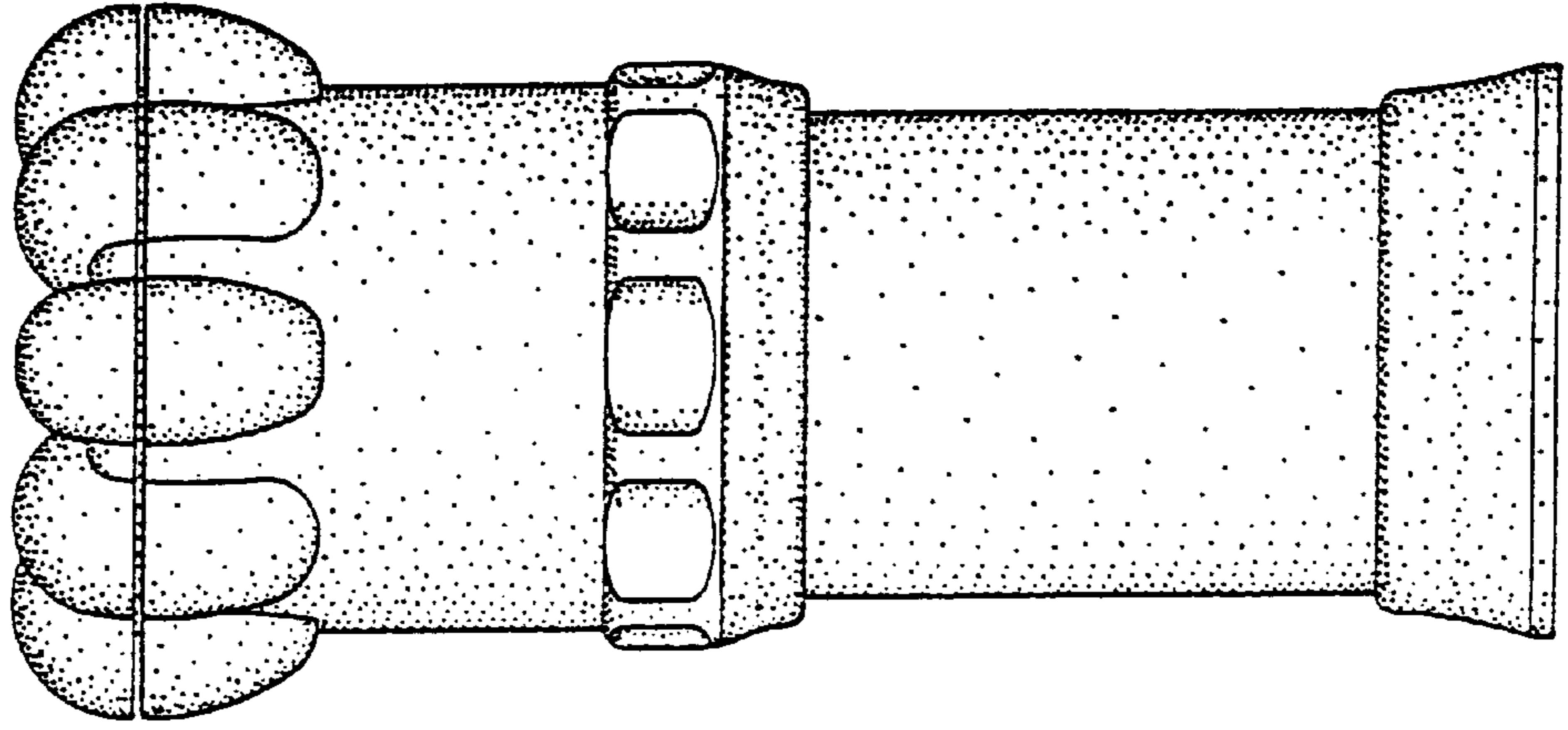


FIG. 4

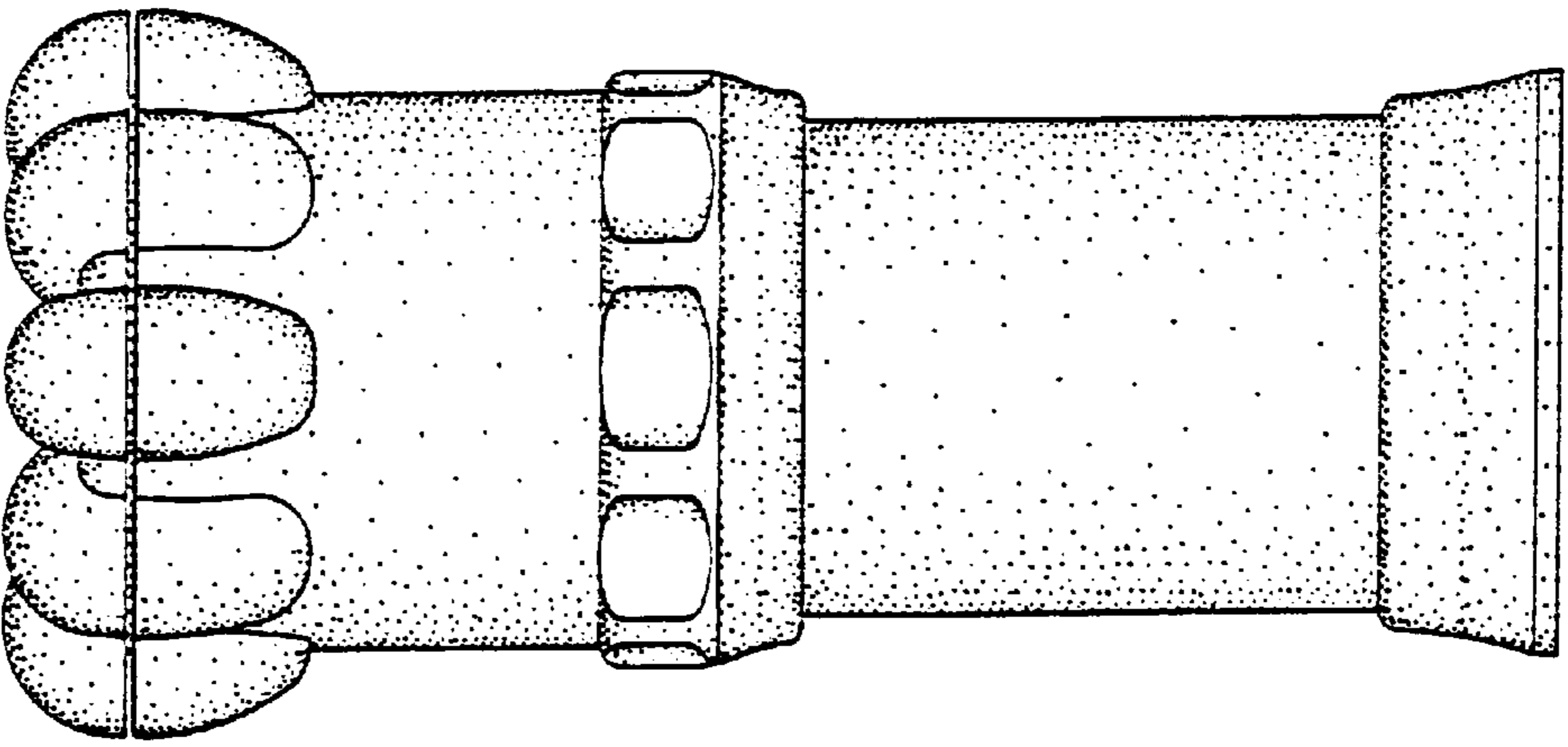


FIG. 6

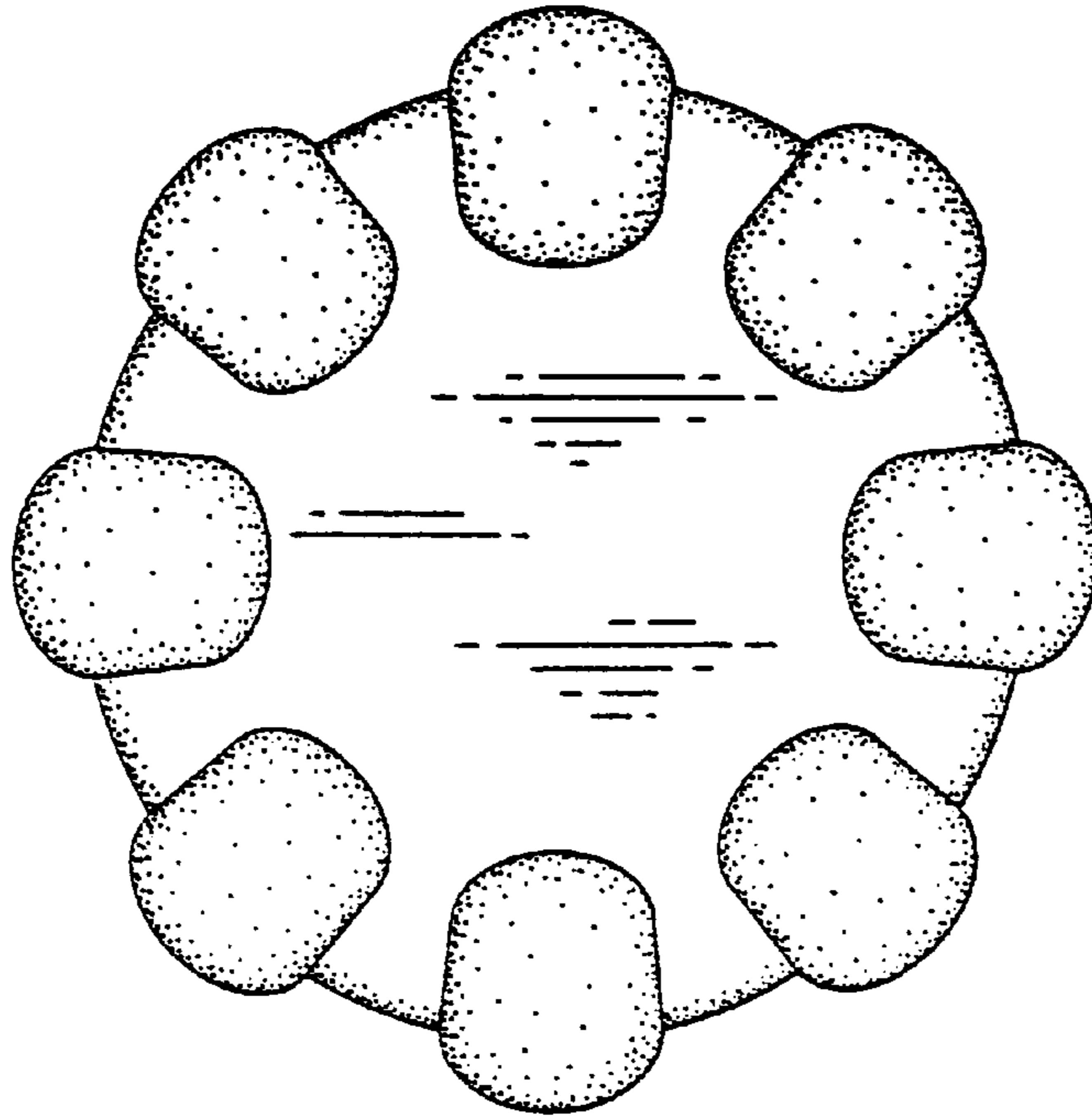


FIG. 7

