



US00D416763S

United States Patent [19] Paravati

[11] Patent Number: **Des. 416,763**

[45] Date of Patent: **** Nov. 23, 1999**

[54] **COMPARTMENTALIZED LID FOR ICE CHEST**

[76] Inventor: **Frank Paravati**, 2814 Leon Ave., Audubon, Pa. 19407

[**] Term: **14 Years**

[21] Appl. No.: **29/098,291**

[22] Filed: **Dec. 24, 1998**

[51] **LOC (6) Cl.** **07-06**

[52] **U.S. Cl.** **D7/605**

[58] **Field of Search** D7/605-608; D3/273, D3/274, 294, 295, 318, 319; 62/371, 457.1, 457.7; 220/592.2, 592.24, 592.25, 592.26, 592.27, 915.1, 915.2

[56] **References Cited**

U.S. PATENT DOCUMENTS

- D. 353,047 12/1994 Lackie D3/273 X
- D. 388,282 12/1997 Floyd et al. D7/605
- D. 401,763 12/1998 Wolff D3/273

Primary Examiner—Terry A. Wallace

[57] **CLAIM**

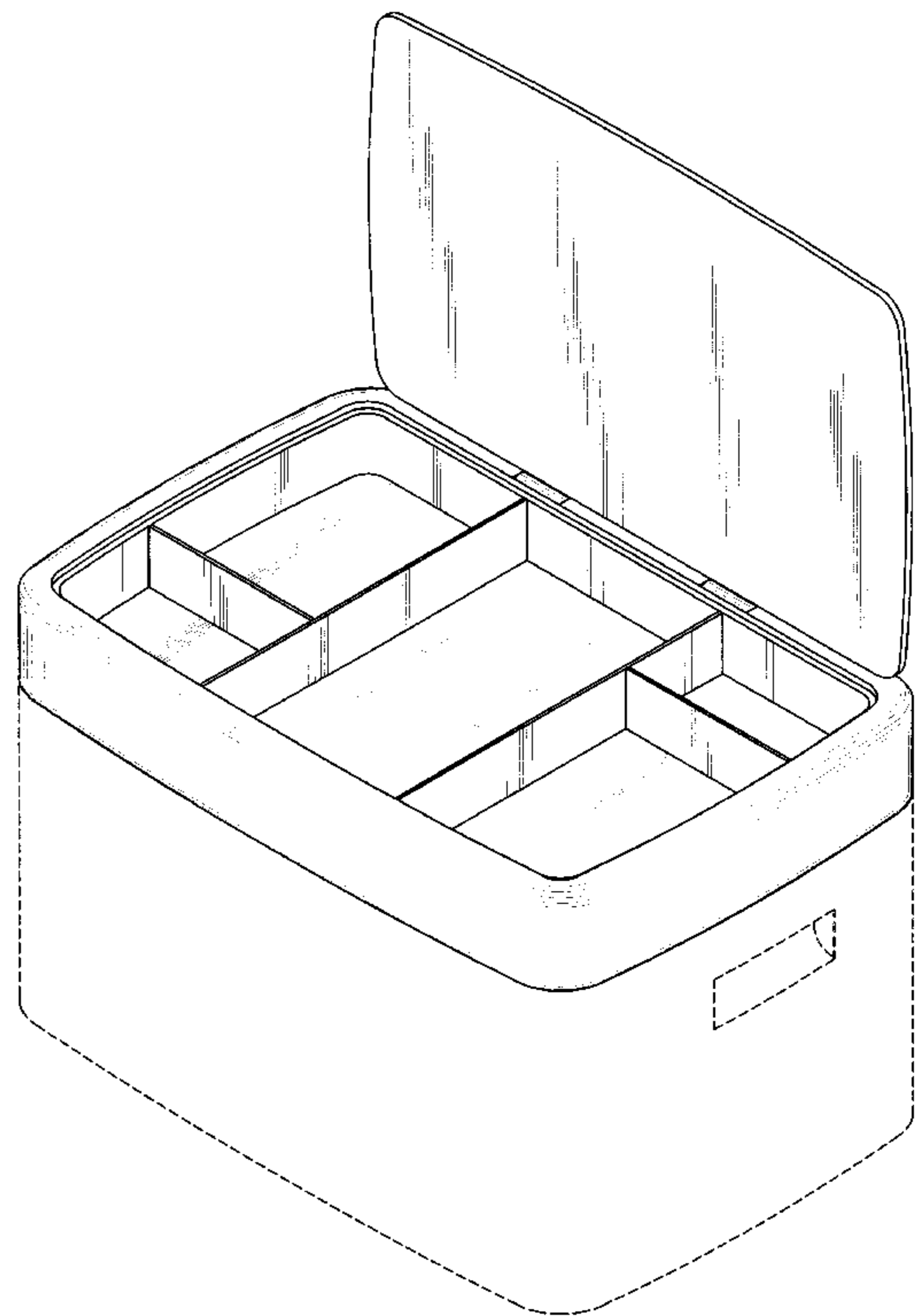
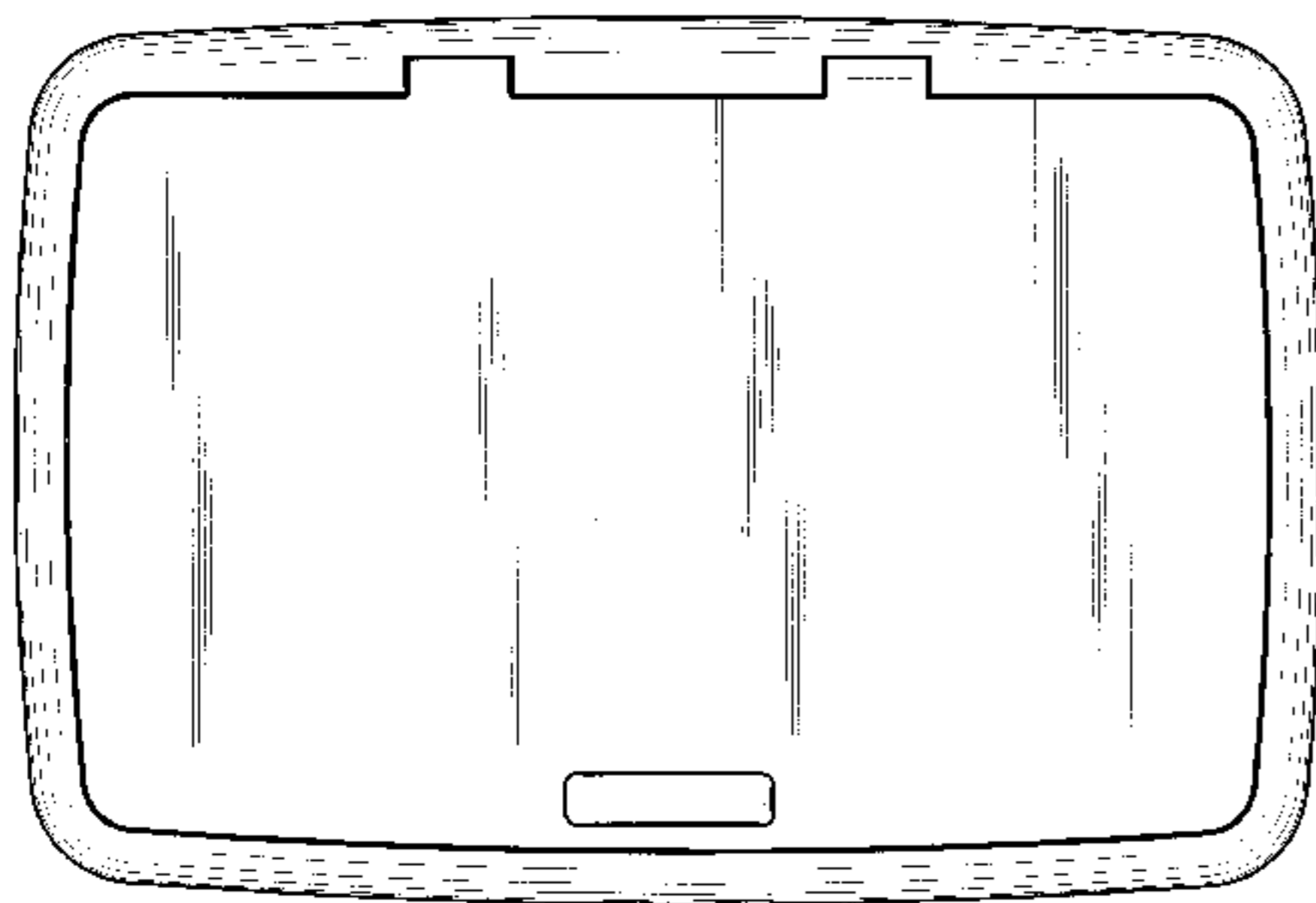
The ornamental design for a compartmentalized lid for ice chest, as shown and described.

DESCRIPTION

FIG. 1 is a front elevational view of the compartmentalized lid for ice chest of the present design;
 FIG. 2 is a back elevational view of the compartmentalized lid for ice chest of FIG. 1;
 FIG. 3 is a left side elevational view of the compartmentalized lid for ice chest of FIG. 1;
 FIG. 4 is a right side elevational view of the compartmentalized lid for ice chest of FIG. 1;
 FIG. 5 is a top plan view of the compartmentalized lid for ice chest of FIG. 1;
 FIG. 6 is a bottom plan view of the compartmentalized lid for ice chest of FIG. 1; and,
 FIG. 7 is a top, front, right side perspective view of the compartmentalized lid for ice chest of FIG. 1 in an alternate position.

The broken lines showing an ice chest in FIG. 7 are for illustrative purposes only and form no part of the claimed design.

1 Claim, 3 Drawing Sheets



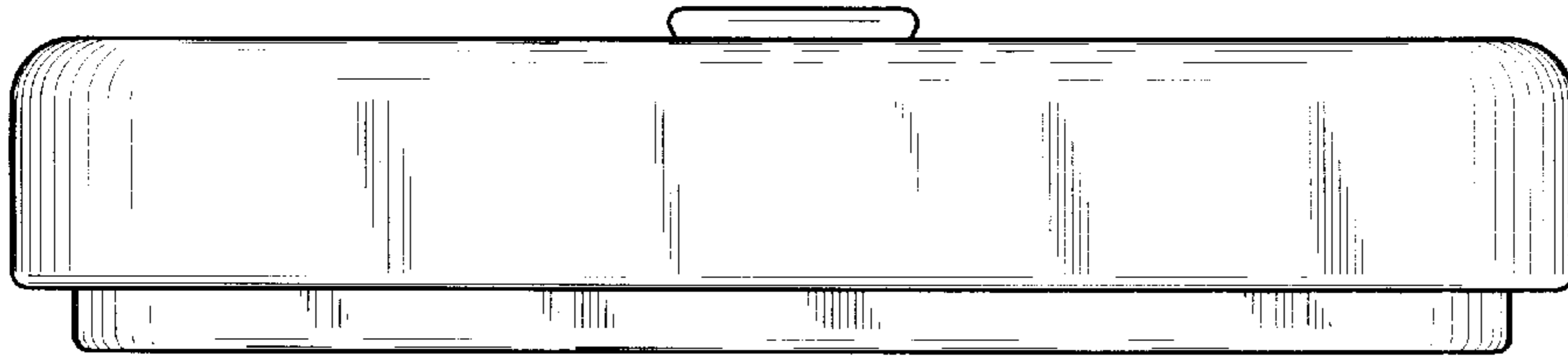


FIG. 1

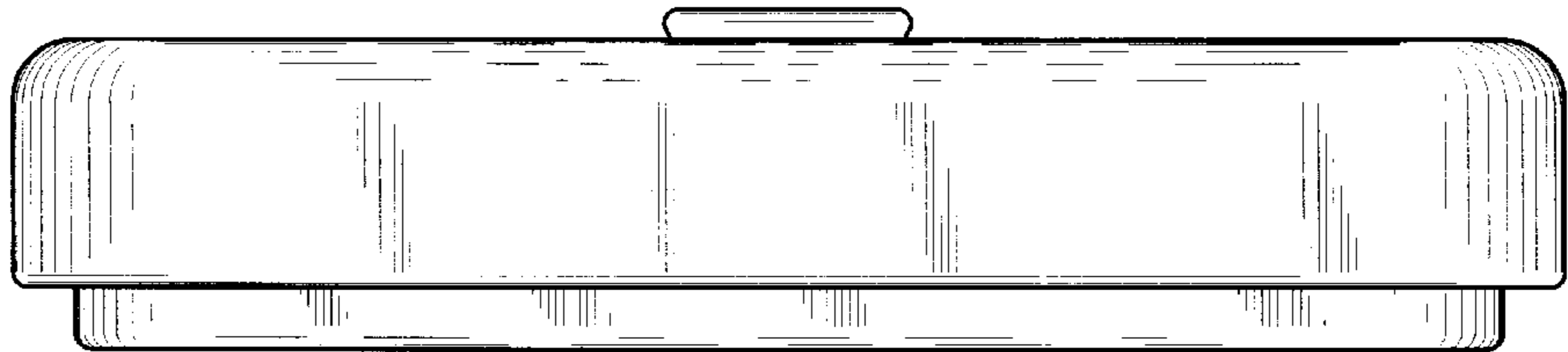


FIG. 2

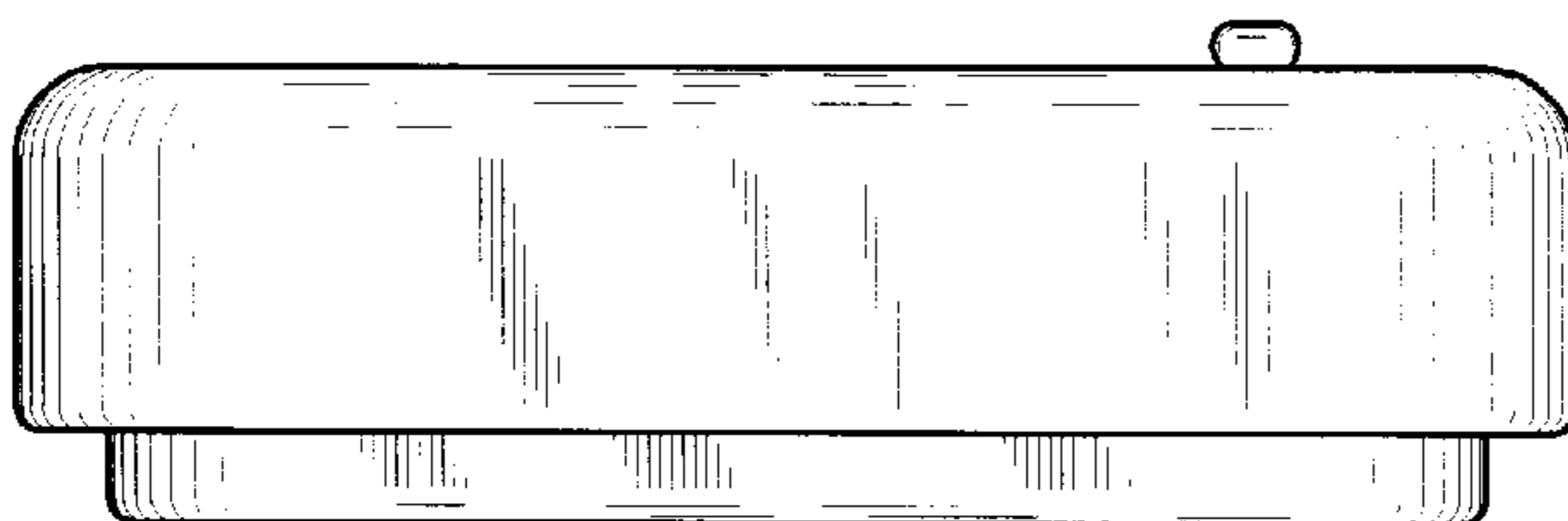


FIG. 3

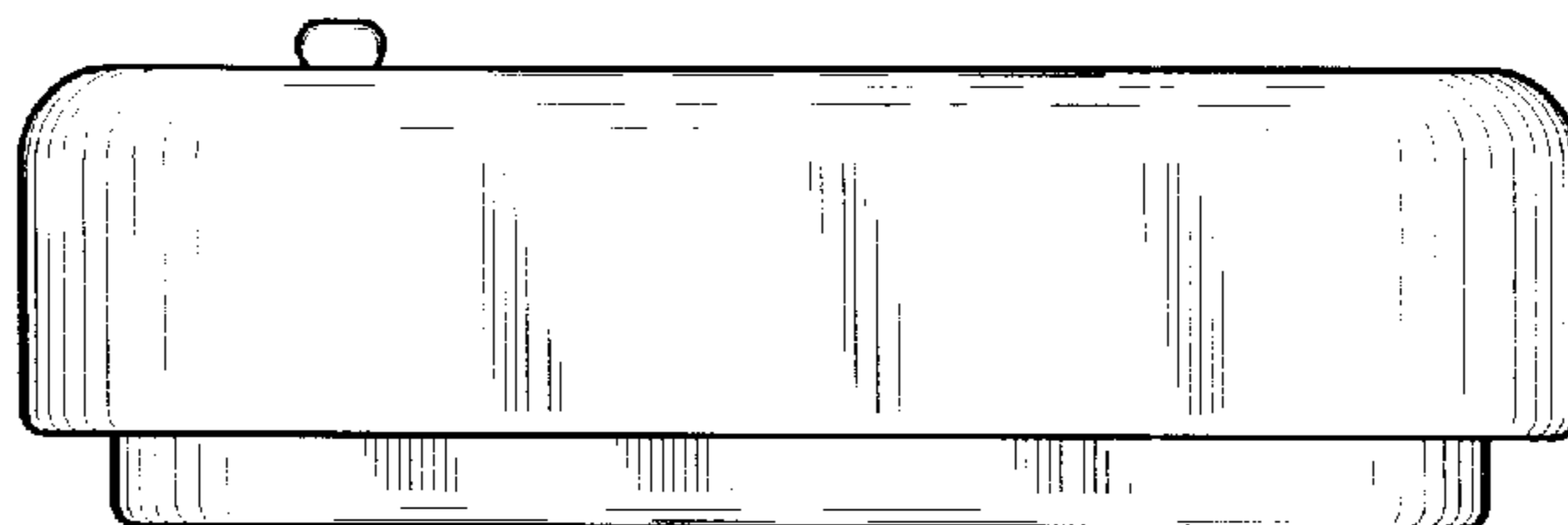


FIG. 4

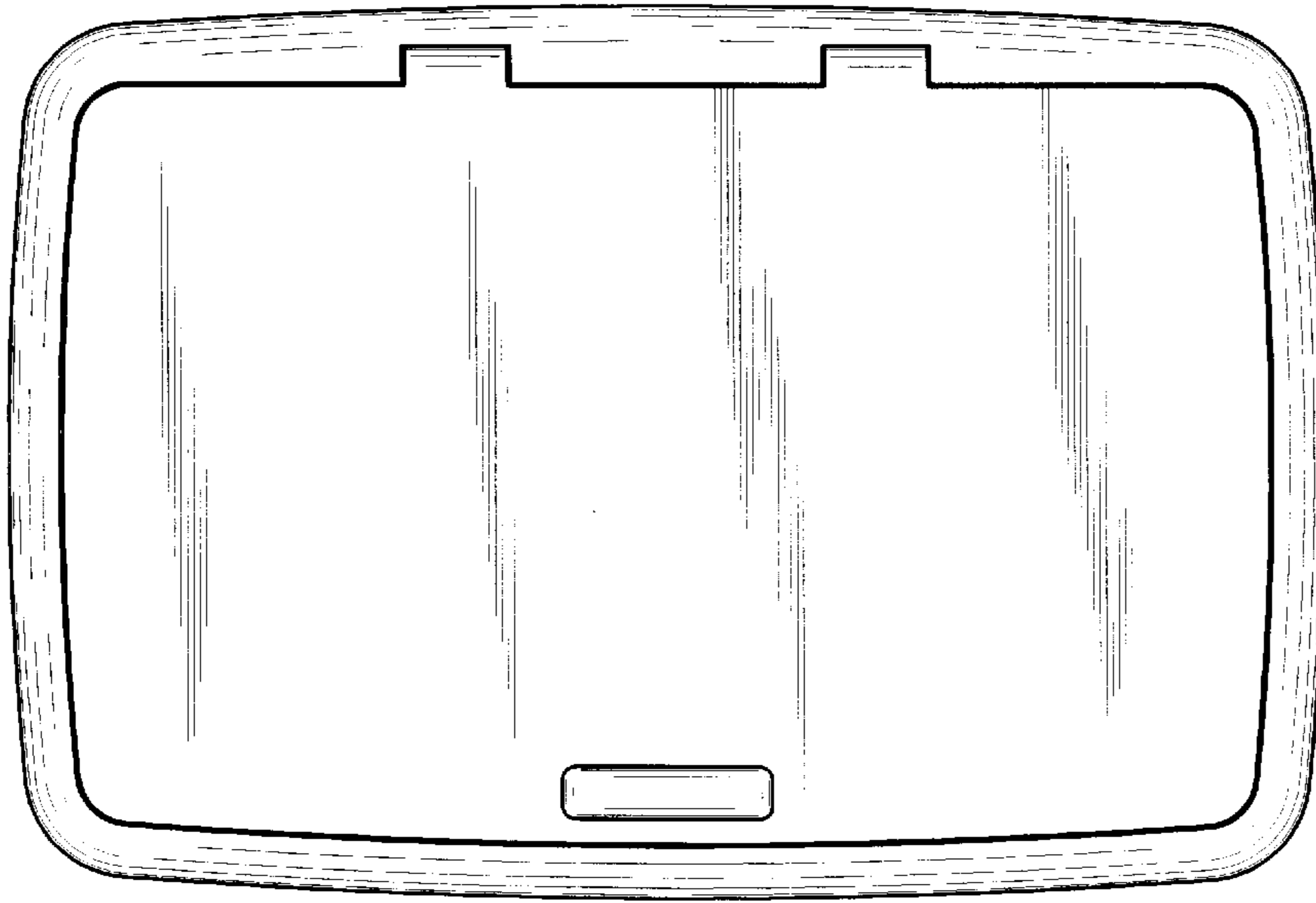


FIG. 5

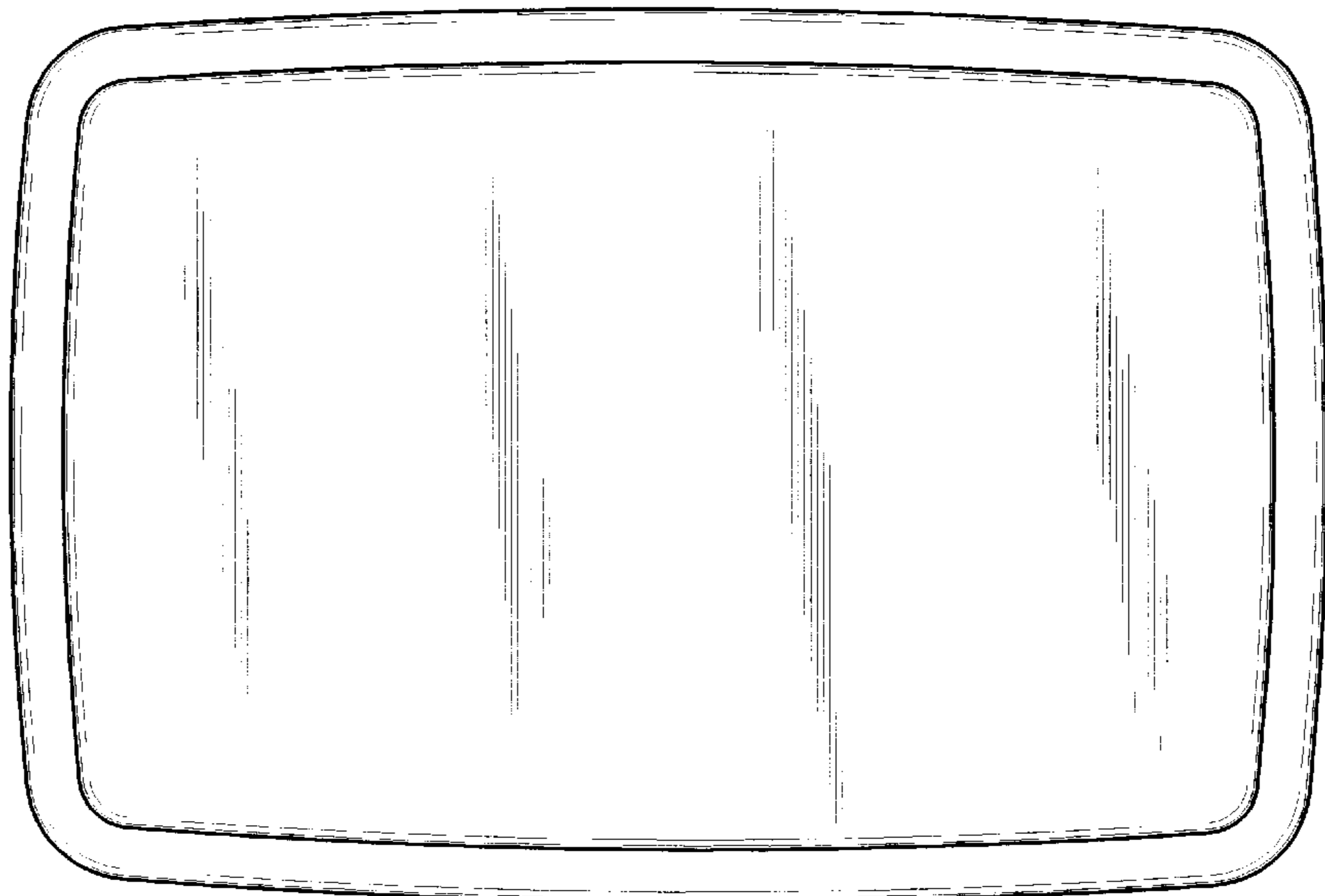


FIG. 6

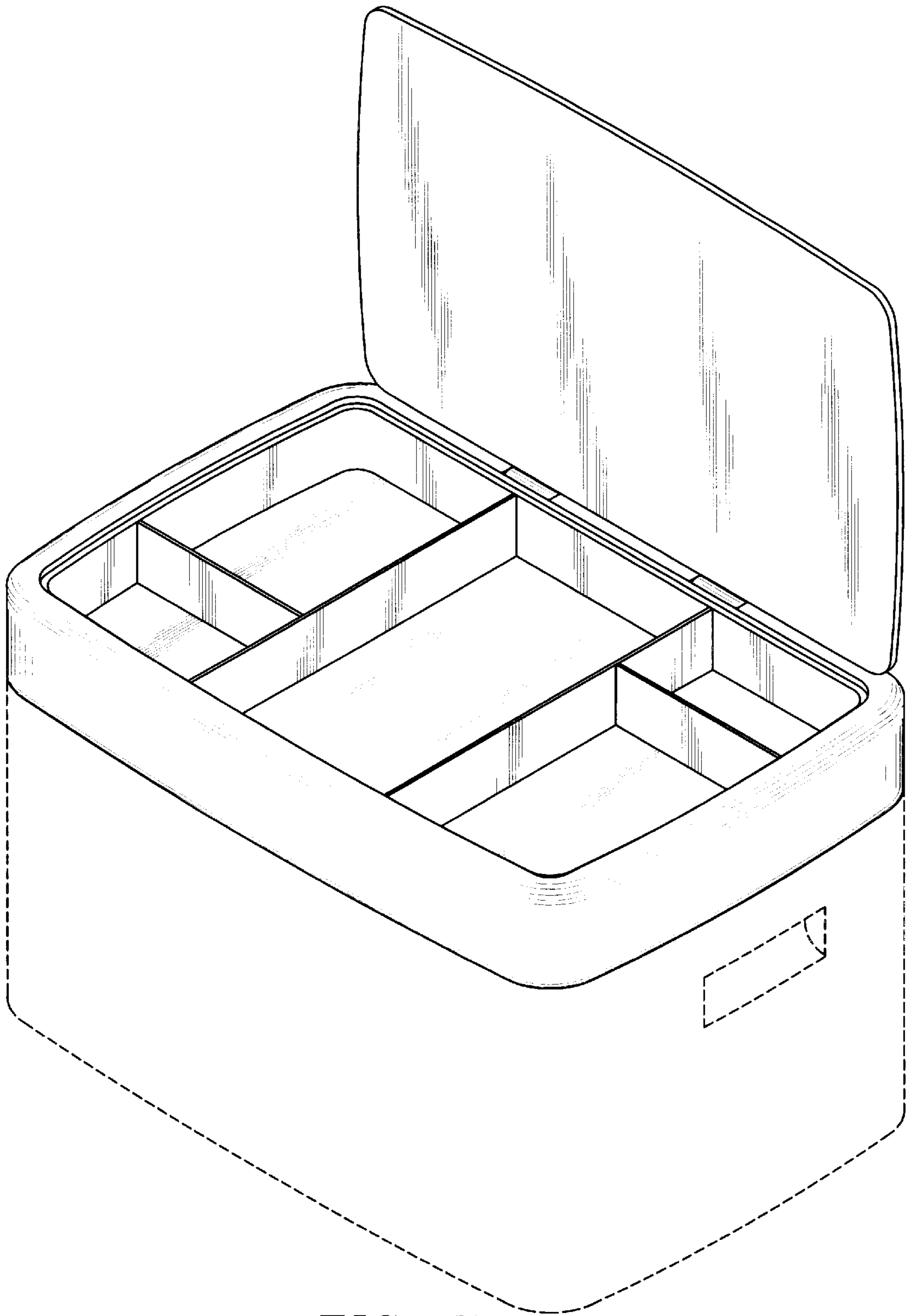


FIG. 7