



US00D416761S

United States Patent [19]
Miller

[11] **Patent Number: Des. 416,761**

[45] **Date of Patent: ** Nov. 23, 1999**

[54] **MODULAR SERVING STAND BASE**

[75] Inventor: **D. Scott Miller**, Orlando, Fla.

[73] Assignee: **Dart Industries Inc.**, Orlando, Fla.

[**] Term: **14 Years**

[21] Appl. No.: **29/093,586**

[22] Filed: **Sep. 11, 1998**

[51] **LOC (6) Cl.** **07-01**

[52] **U.S. Cl.** **D7/600; D7/701**

[58] **Field of Search** D7/590, 600, 701,
D7/705-708; 211/71.01, 74, 126.1; 294/146

[56] **References Cited**

U.S. PATENT DOCUMENTS

49,841	9/1865	Young	211/74
53,540	3/1866	Miller	211/74 X
D. 214,333	6/1969	Swett	D7/600

D. 216,145 11/1969 Swett et al. .

D. 246,085 10/1977 Nicholas D7/600

D. 372,842 8/1996 Cleary et al. D7/590

Primary Examiner—Terry A. Wallace
Attorney, Agent, or Firm—Taylor J. Ross

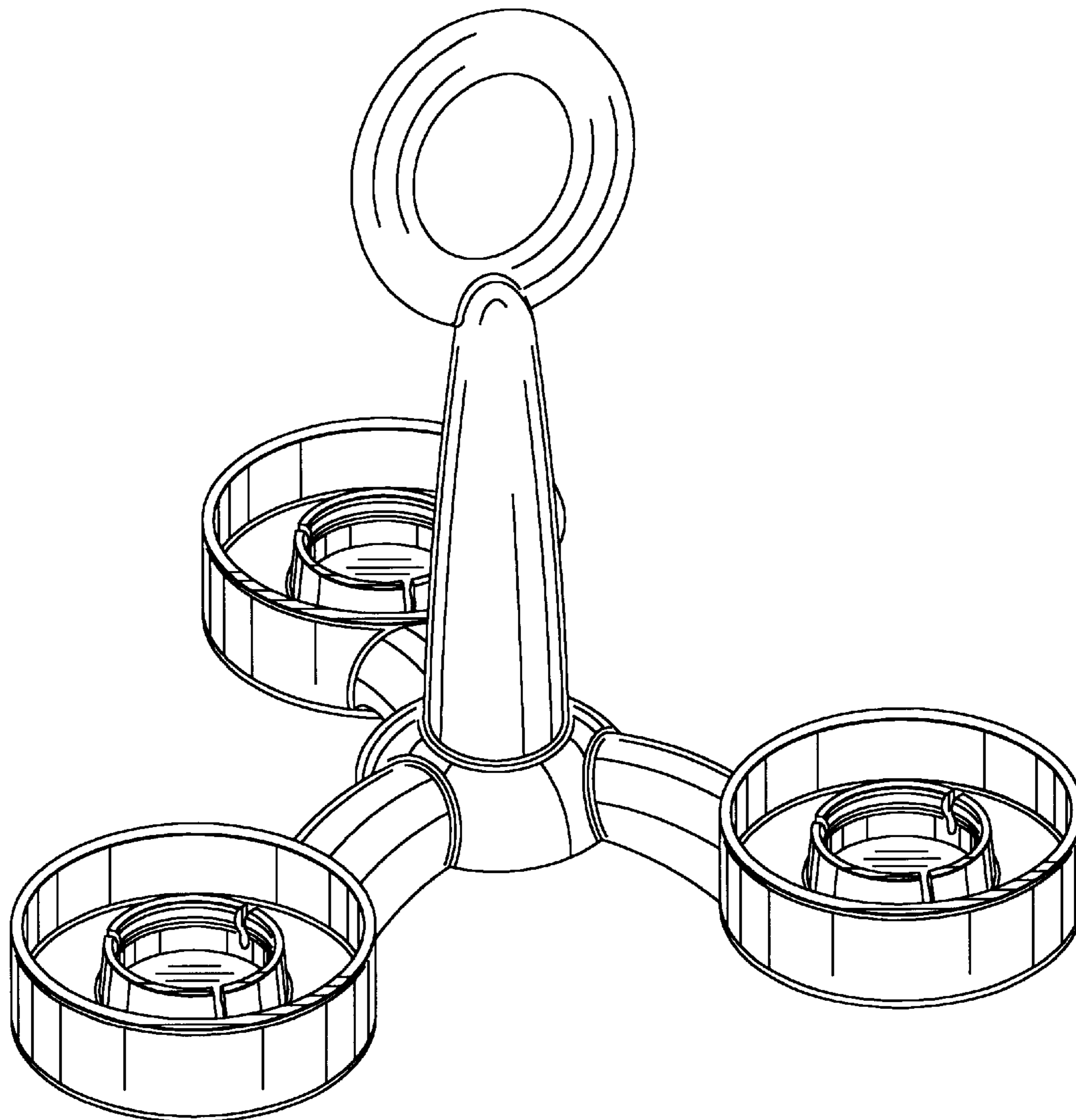
[57] **CLAIM**

The ornamental design of a modular serving stand base, as shown and described.

DESCRIPTION

FIG. 1 is a top, front perspective view of a modular serving stand base showing the new design; FIG. 2 is a front elevation view thereof; FIG. 3 is a rear elevation view thereof; FIG. 4 is a right side elevation view thereof; FIG. 5 is a left side elevation view thereof; FIG. 6 is a top plan view thereof; and FIG. 7 is a bottom plan view thereof.

1 Claim, 4 Drawing Sheets



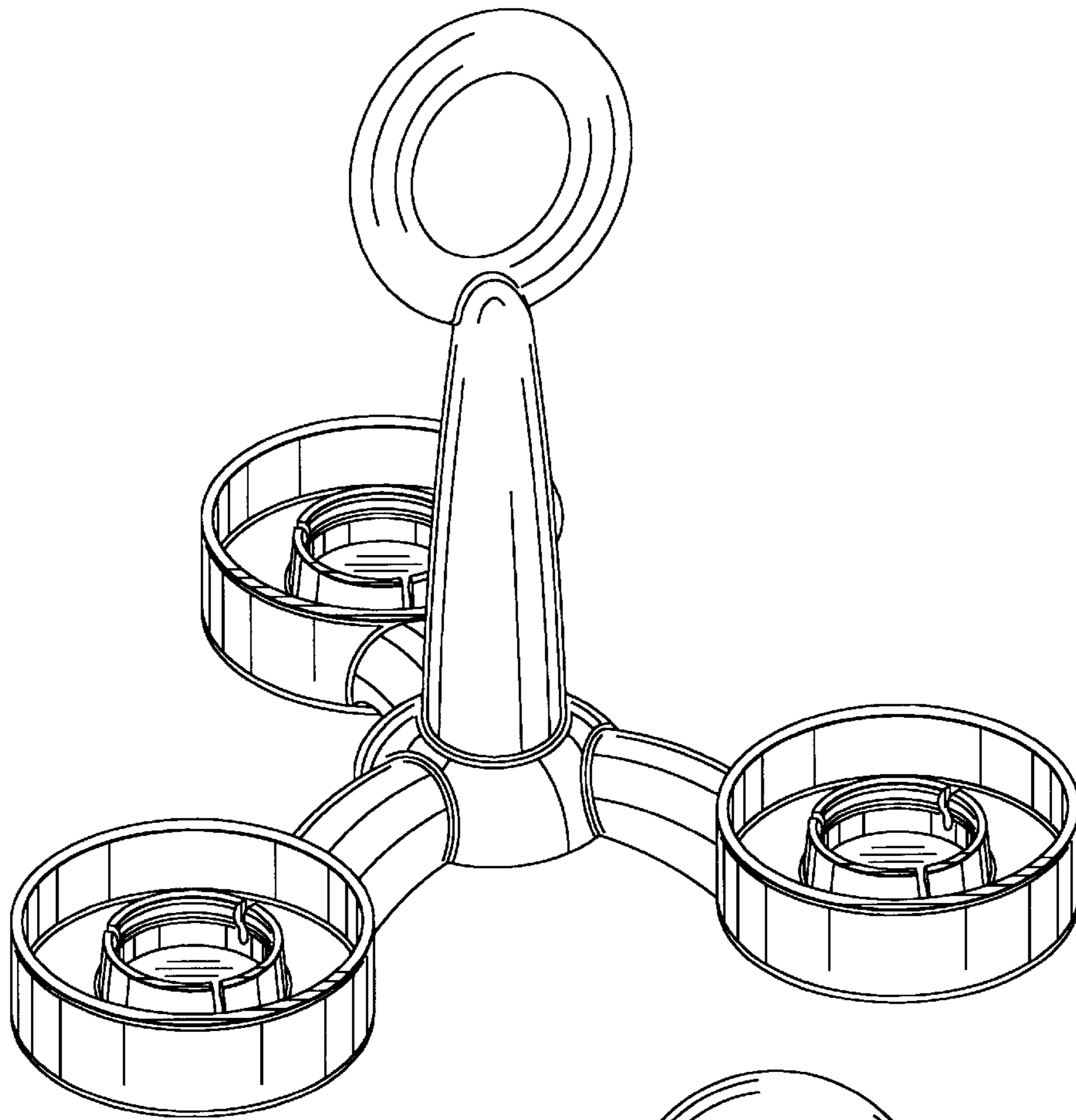
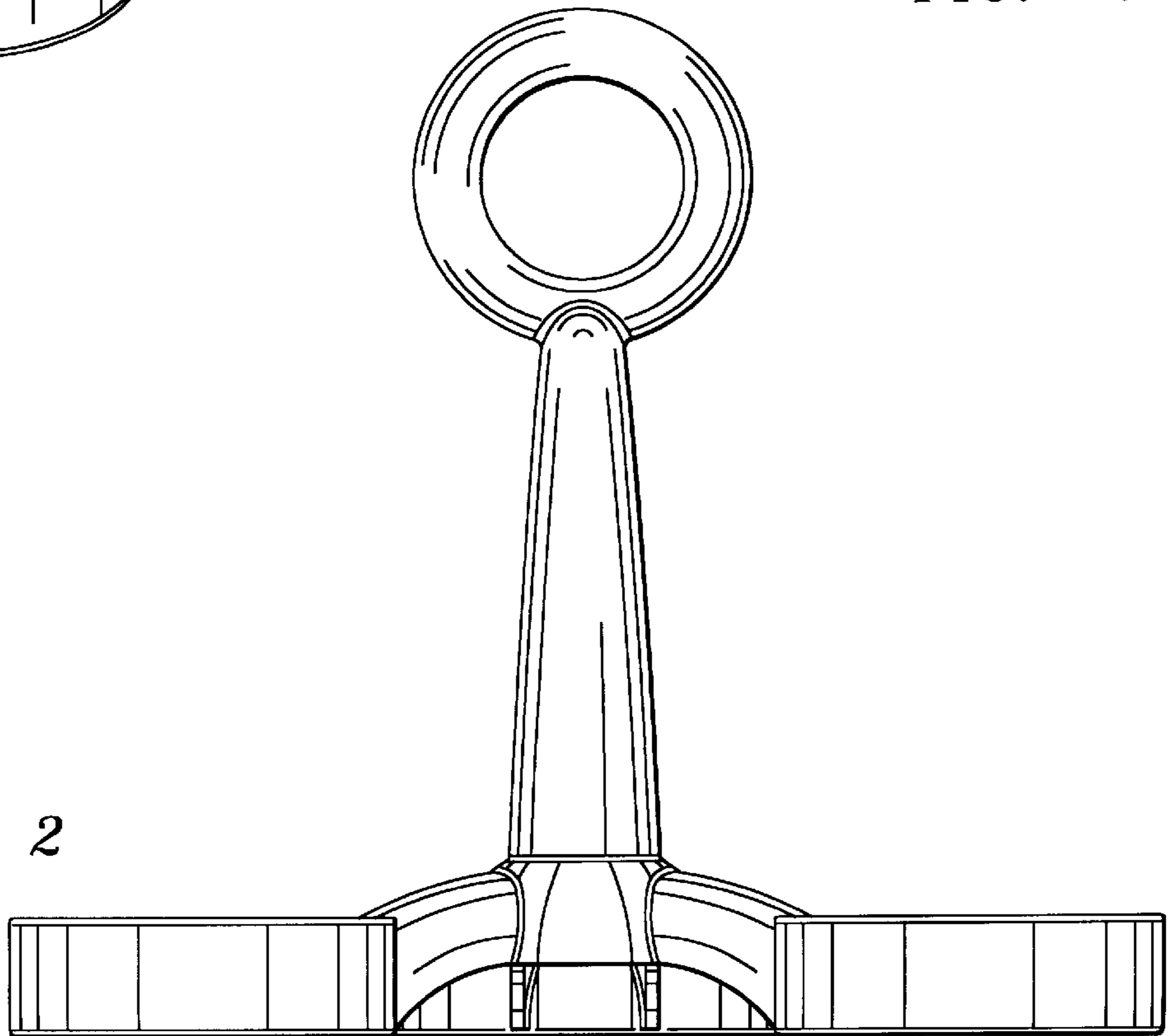


FIG. 1

FIG. 2



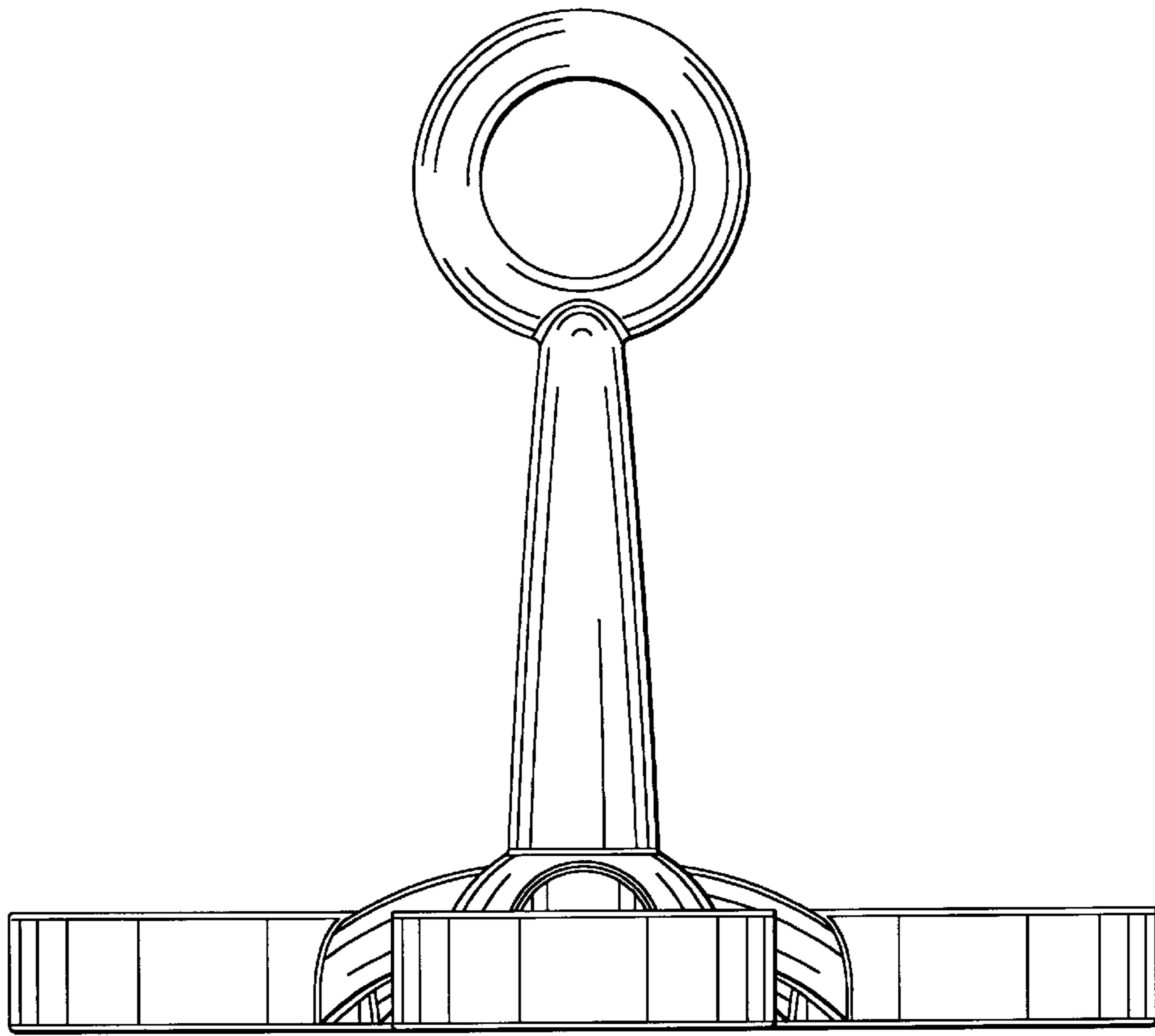


FIG. 3

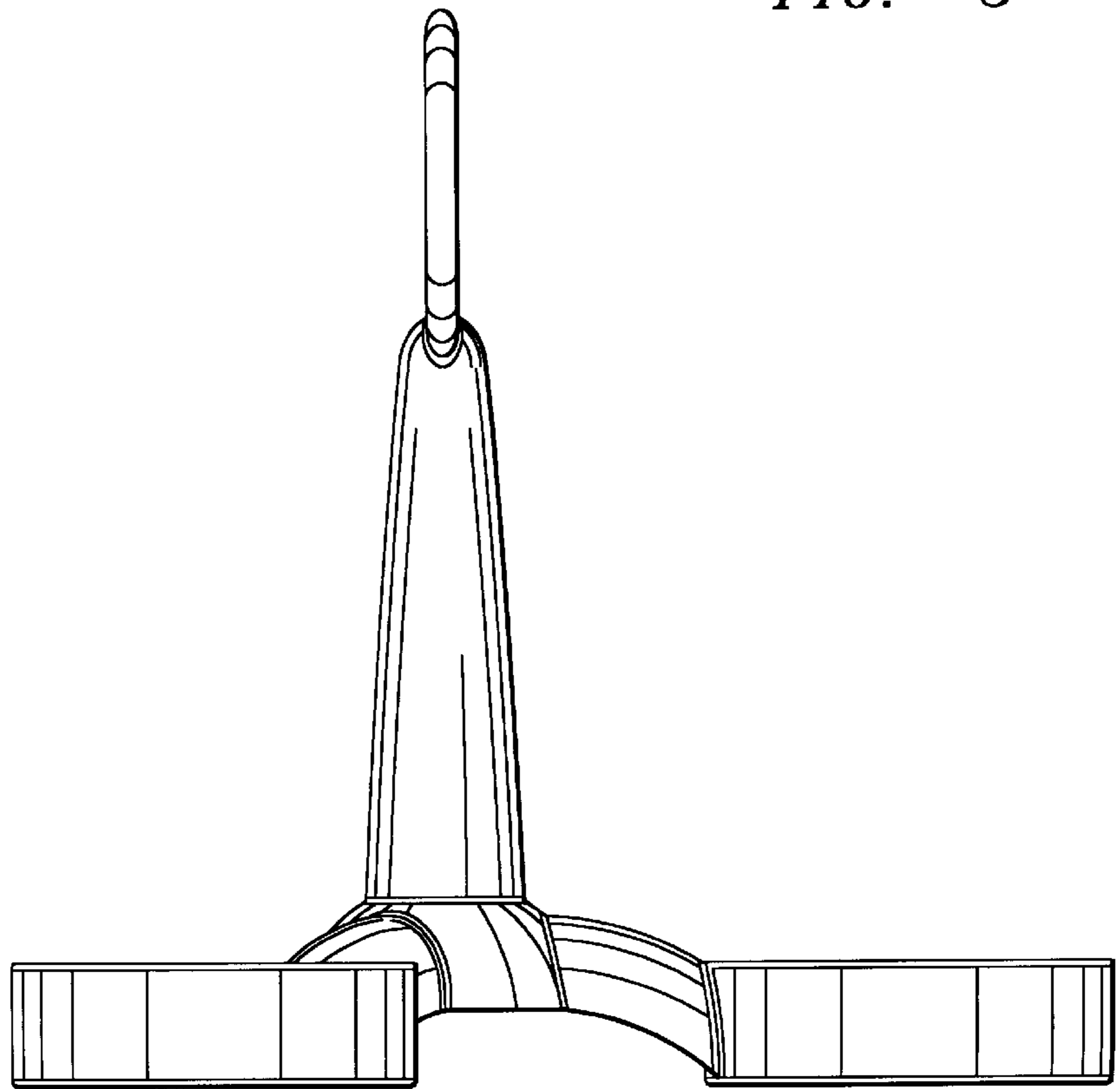
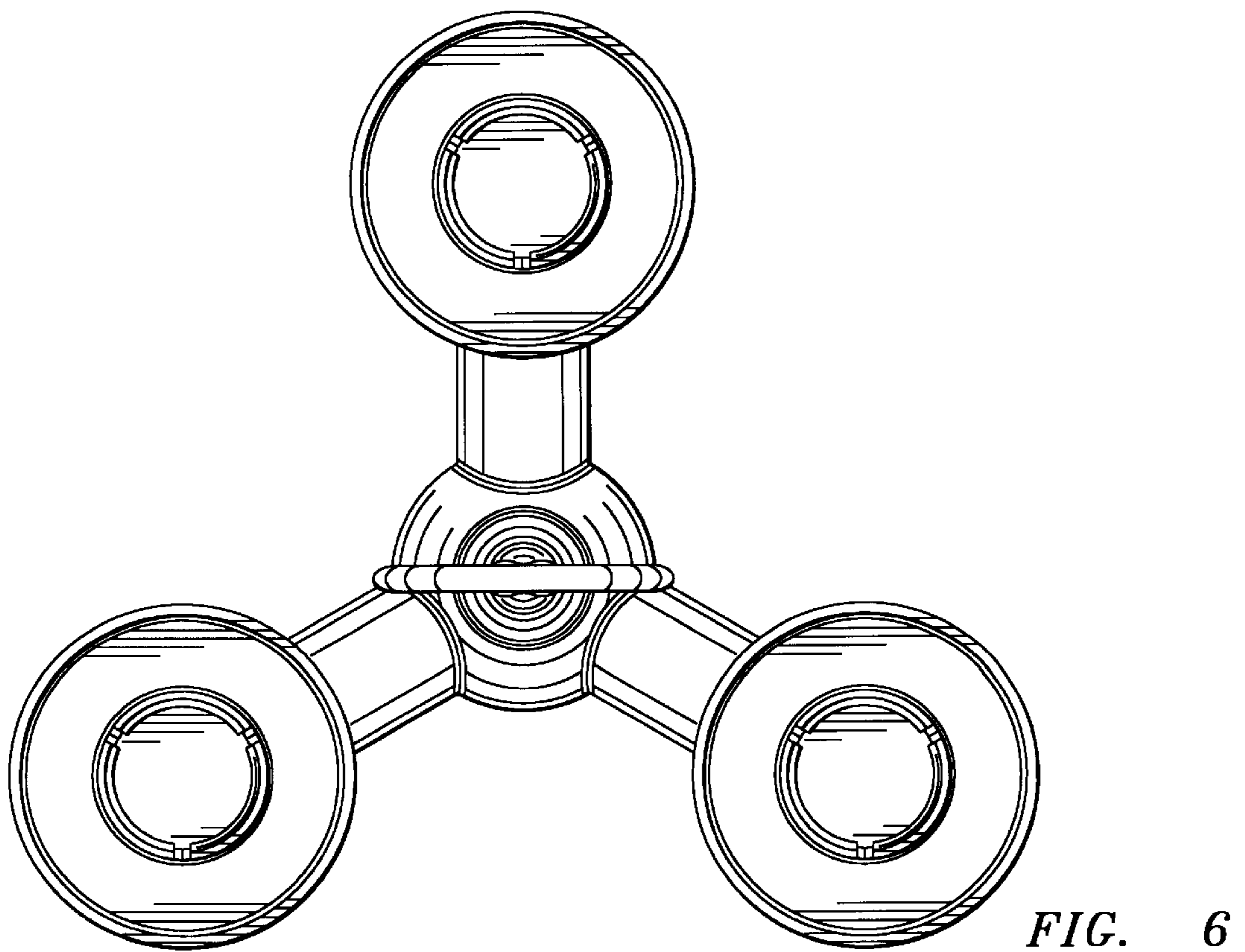
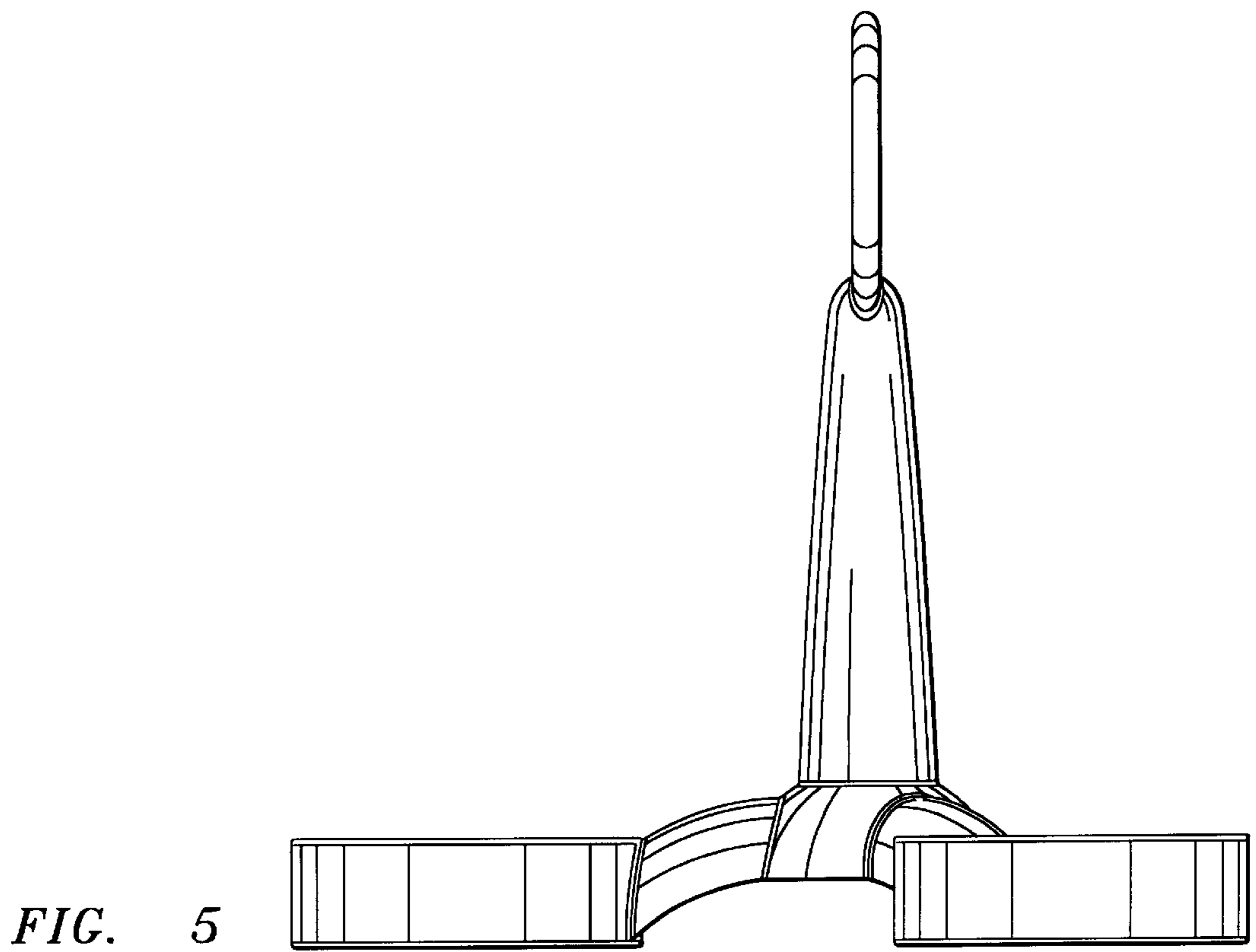


FIG. 4



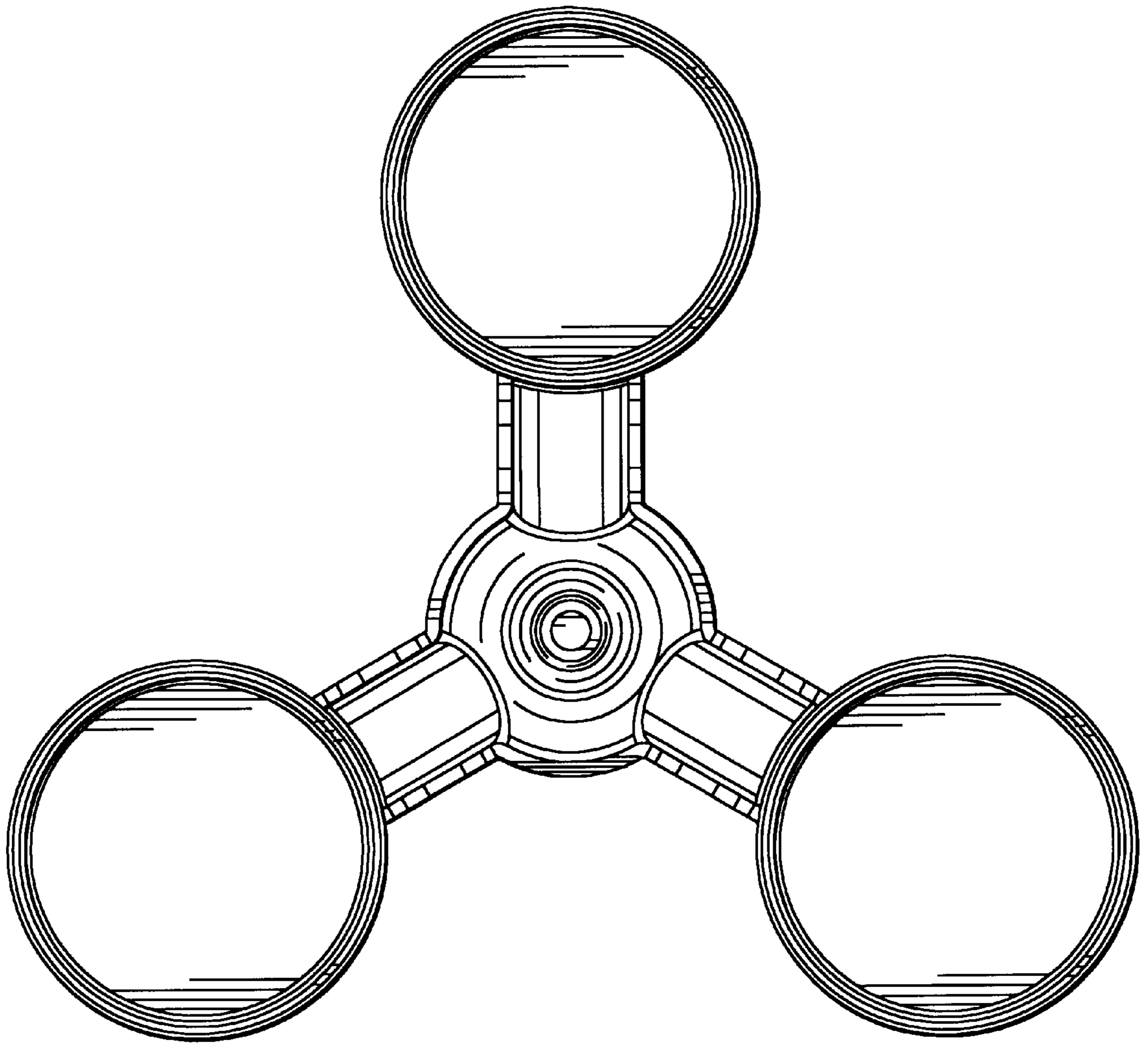


FIG. 7