



US00D416759S

United States Patent [19] Cornelissen

[11] Patent Number: **Des. 416,759**

[45] Date of Patent: **** Nov. 23, 1999**

[54] CUP

[75] Inventor: **Tuur Cornelissen**, Blankerbergen, Bulgaria

[73] Assignee: **De Ster NV**, Hoogstraten, Belgium

[*] Notice: This patent is subject to a terminal disclaimer.

[**] Term: **14 Years**

[21] Appl. No.: **29/081,077**

[22] Filed: **Oct. 14, 1997**

[30] Foreign Application Priority Data

Apr. 11, 1997 [DE] Germany M 97 03 728

[51] LOC (6) Cl. **07-01**

[52] U.S. Cl. **D7/536; D7/533**

[58] Field of Search D7/536, 533, 509, D7/622, 624; 215/229; 220/715, 713, 714

[56] References Cited

U.S. PATENT DOCUMENTS

- D. 103,168 2/1937 Swainson .
- D. 166,014 2/1952 Wright D7/536
- D. 167,917 10/1952 Wagner D7/536
- D. 177,433 4/1956 Schreckengost D7/536
- D. 184,518 3/1959 Folley D7/536
- D. 184,566 3/1959 Holworth .
- D. 185,971 8/1959 Saffer .
- D. 186,037 9/1959 Stageberg .
- D. 195,309 5/1963 Mount et al. .
- D. 203,615 2/1966 Metzler et al. .
- D. 203,942 3/1966 Trombley .
- D. 212,110 8/1968 Ketcham D7/533
- D. 215,747 10/1969 Ketcham D7/533
- D. 219,048 10/1970 Gulotta D7/536

- D. 223,503 4/1972 Simmons .
- D. 224,623 8/1972 Ketcham et al. D7/536
- D. 227,532 7/1973 Refsgaard et al. D7/535
- D. 230,457 2/1974 Bateman D7/536
- D. 286,723 11/1986 Everhan .
- D. 288,270 2/1987 Winterling D7/536
- D. 289,485 4/1987 Unger D7/536
- D. 290,325 6/1987 Ritman D7/536
- D. 297,493 9/1988 Ritman D7/536
- D. 316,009 4/1991 Scherer D7/536
- D. 386,046 11/1997 Brückner D7/536
- D. 396,605 8/1998 Benson D7/536
- 2,770,956 9/1956 Achtziger .
- 2,876,634 3/1959 Zimmermann et al. .
- 3,207,461 9/1965 Holzwarth et al. .
- 5,586,682 12/1996 Yeh .

OTHER PUBLICATIONS

Cup #156, Jackson Vitrified China Co., May 1948.

Primary Examiner—M. N. Pandozzi

Attorney, Agent, or Firm—Shlesinger, Arkwright & Garvey LLP

[57] CLAIM

The ornamental design for a cup as shown and described.

DESCRIPTION

This application relates to applicant's co-pending application No. 29/081,667, filed Oct. 14, 1997, entitled "Cup".

FIG. 1 is a top perspective view of a cup showing my new design;

FIG. 2 is a top plan view of the cup of FIG. 1;

FIG. 3 is a front view of the cup of FIG. 1, the rear view being a mirror image thereof;

FIG. 4 is a bottom plan view of the cup of FIG. 1;

FIG. 5 is a right side view of the cup of FIG. 3; and,

FIG. 6 is a left side view of the cup of FIG. 3.

1 Claim, 2 Drawing Sheets

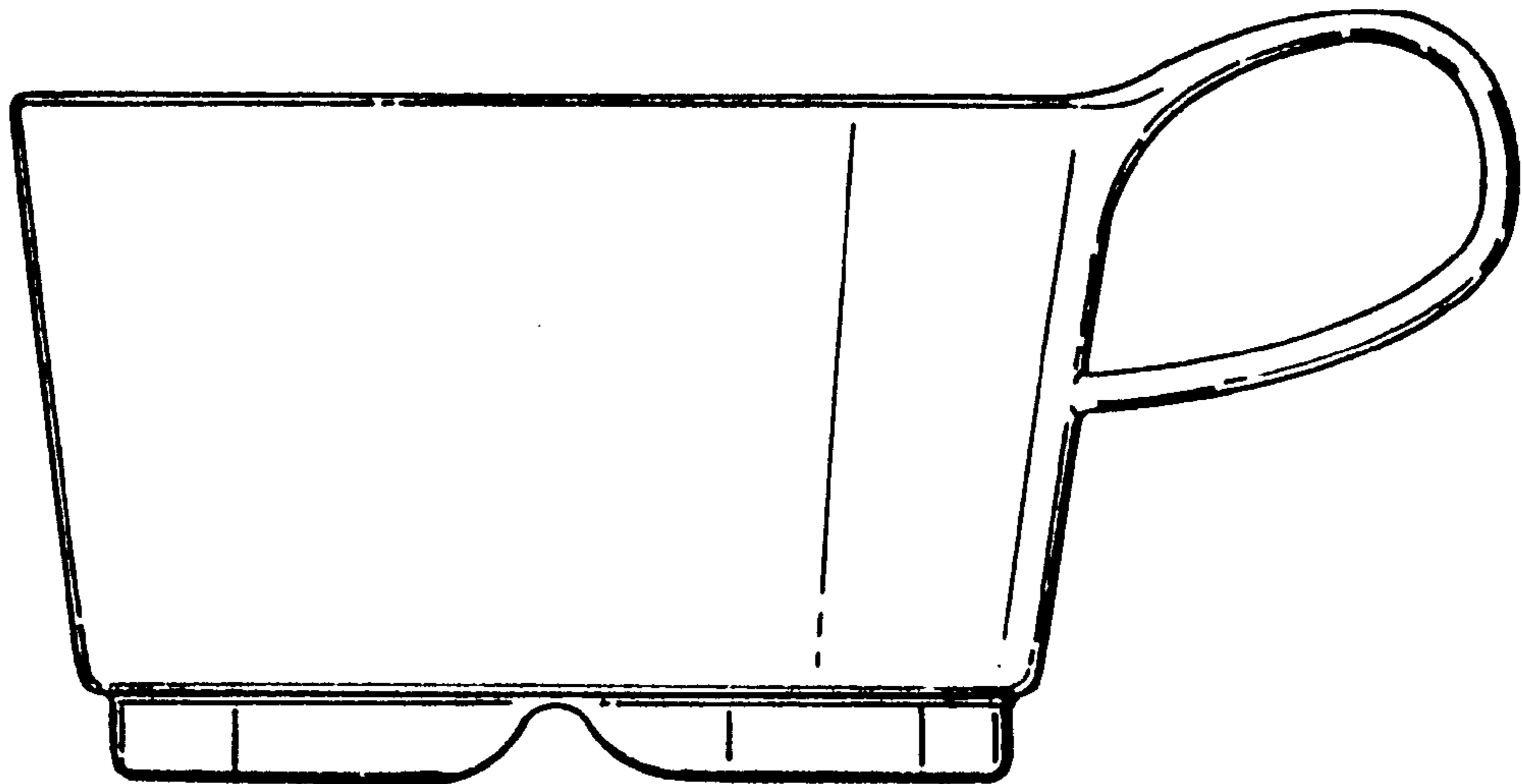


FIG. 1.

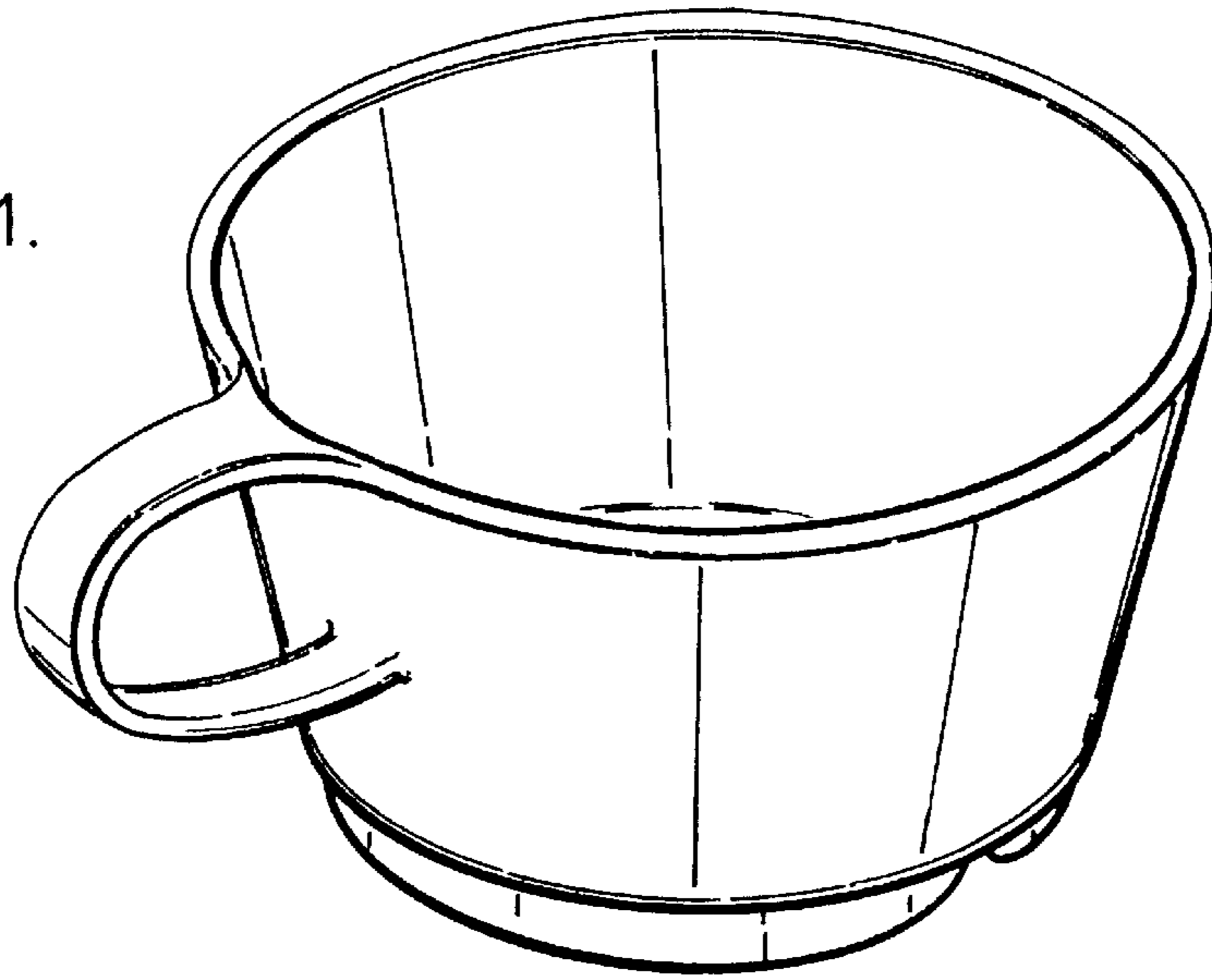


FIG. 2.

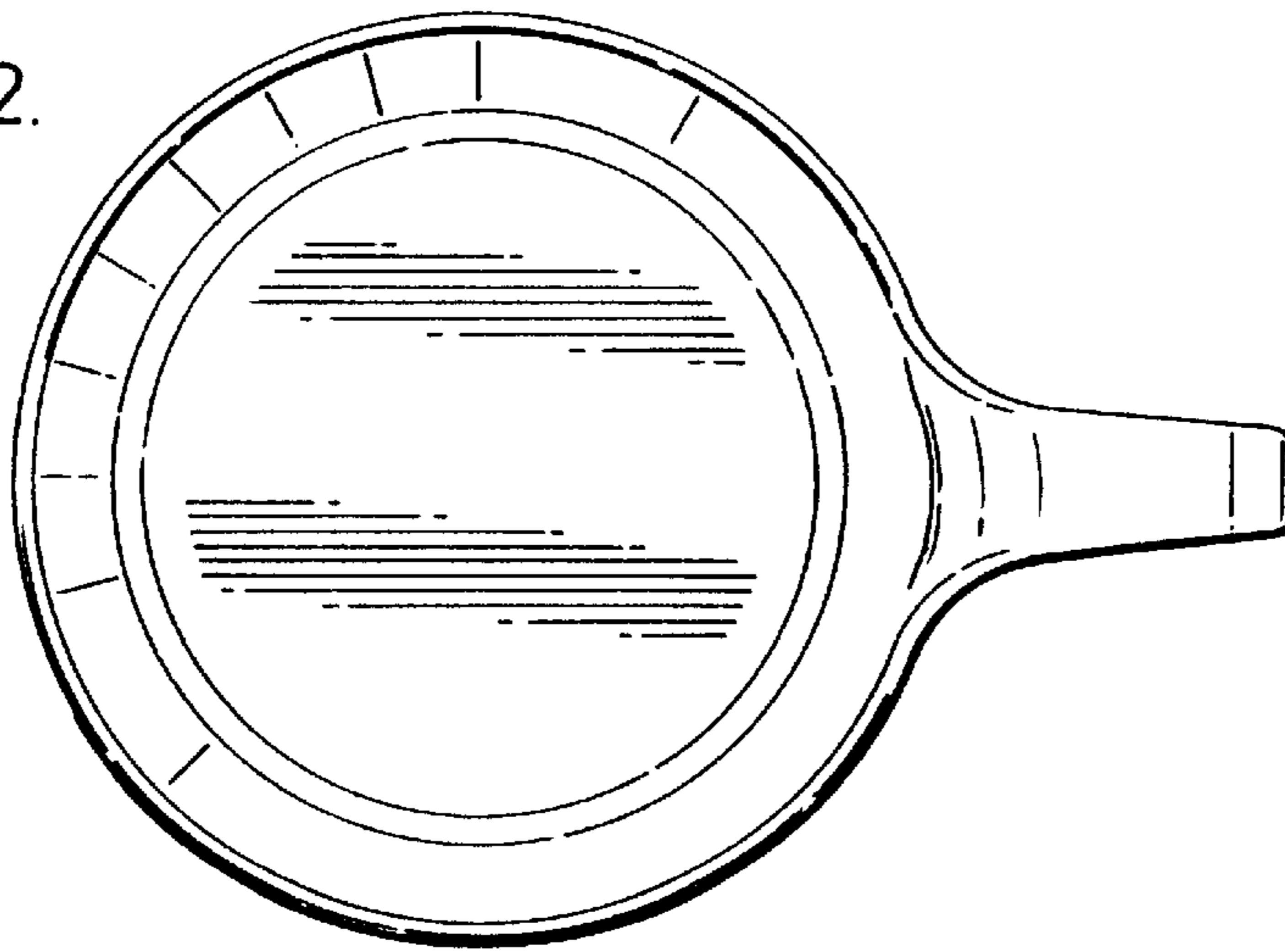
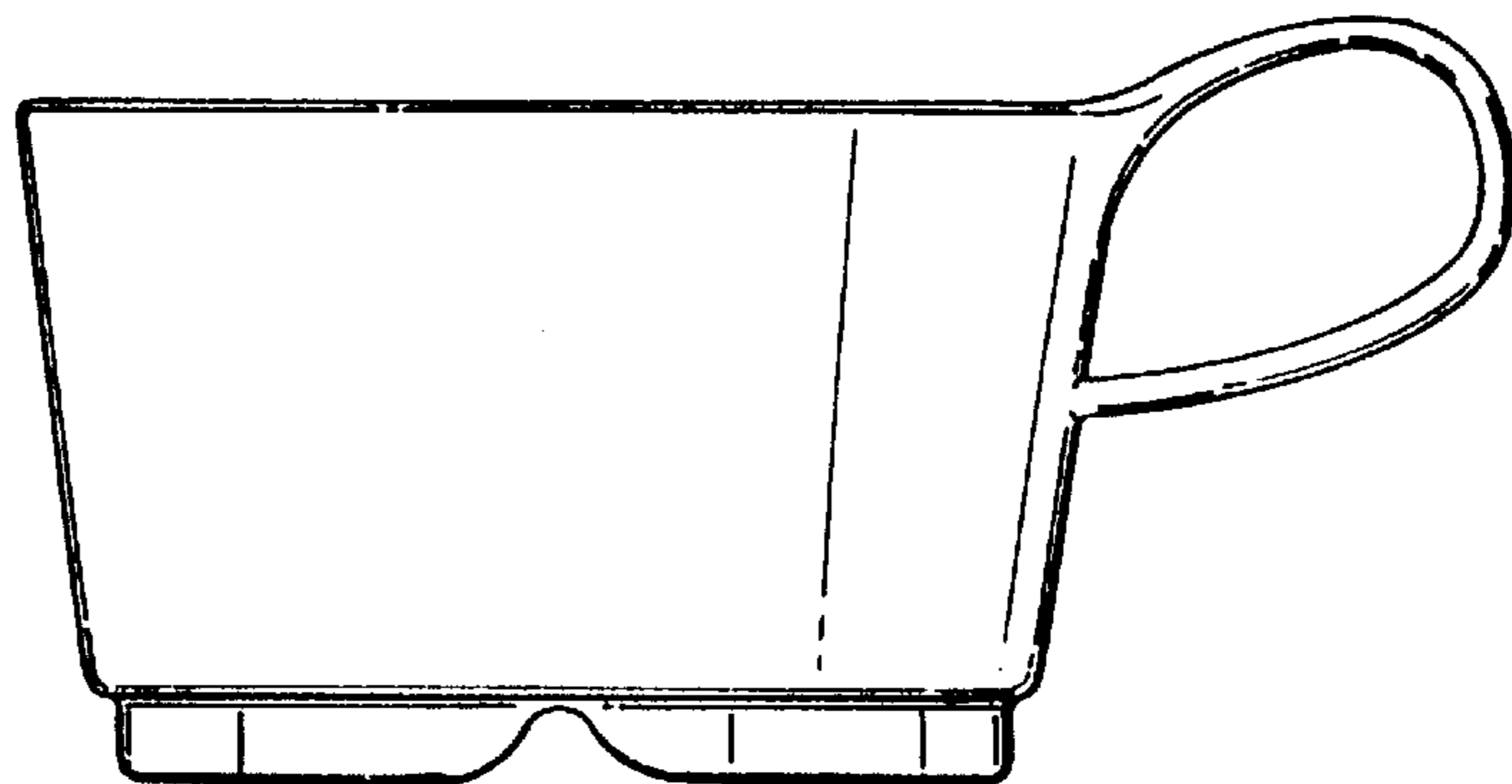


FIG. 3.



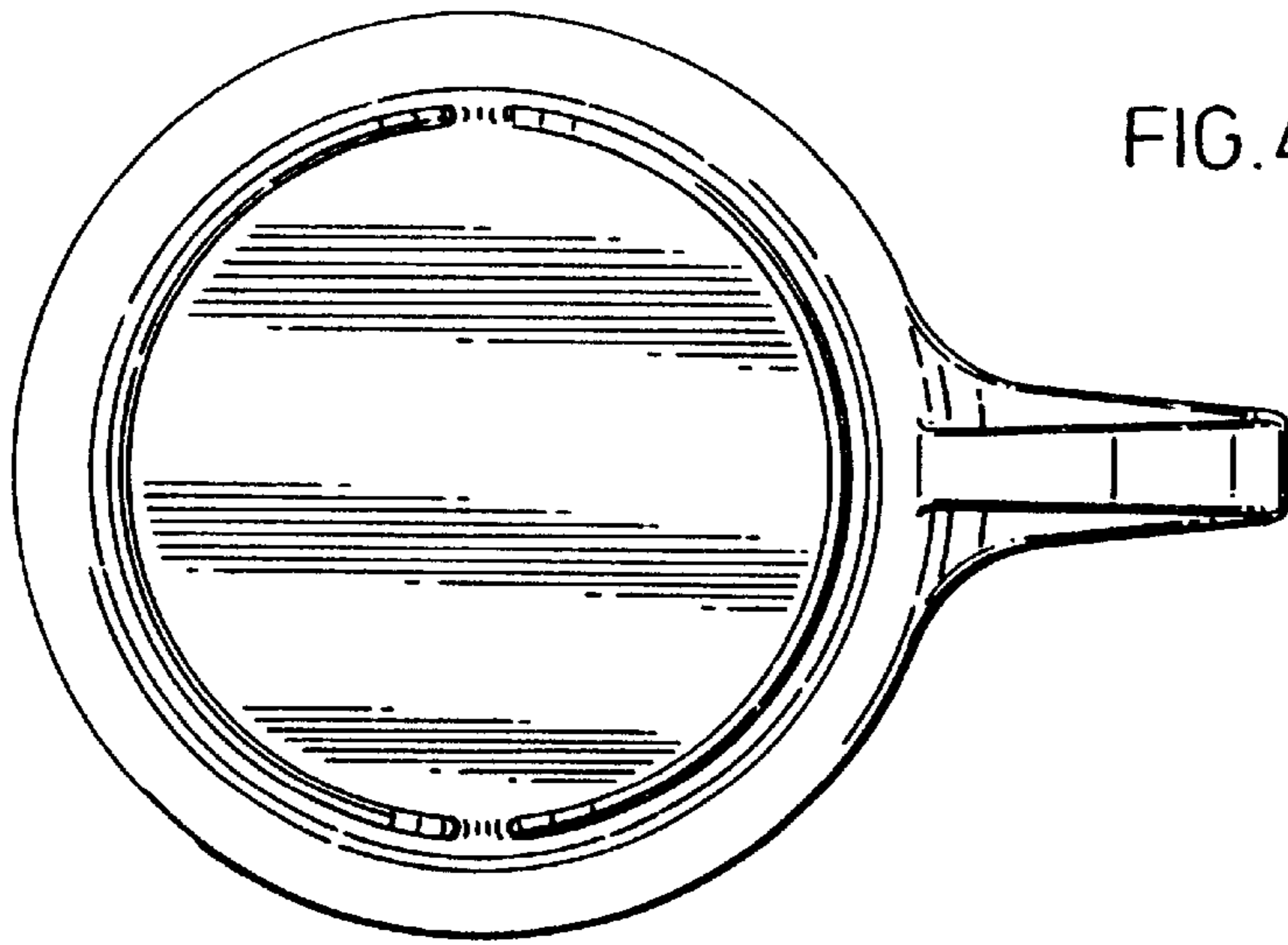


FIG. 4.

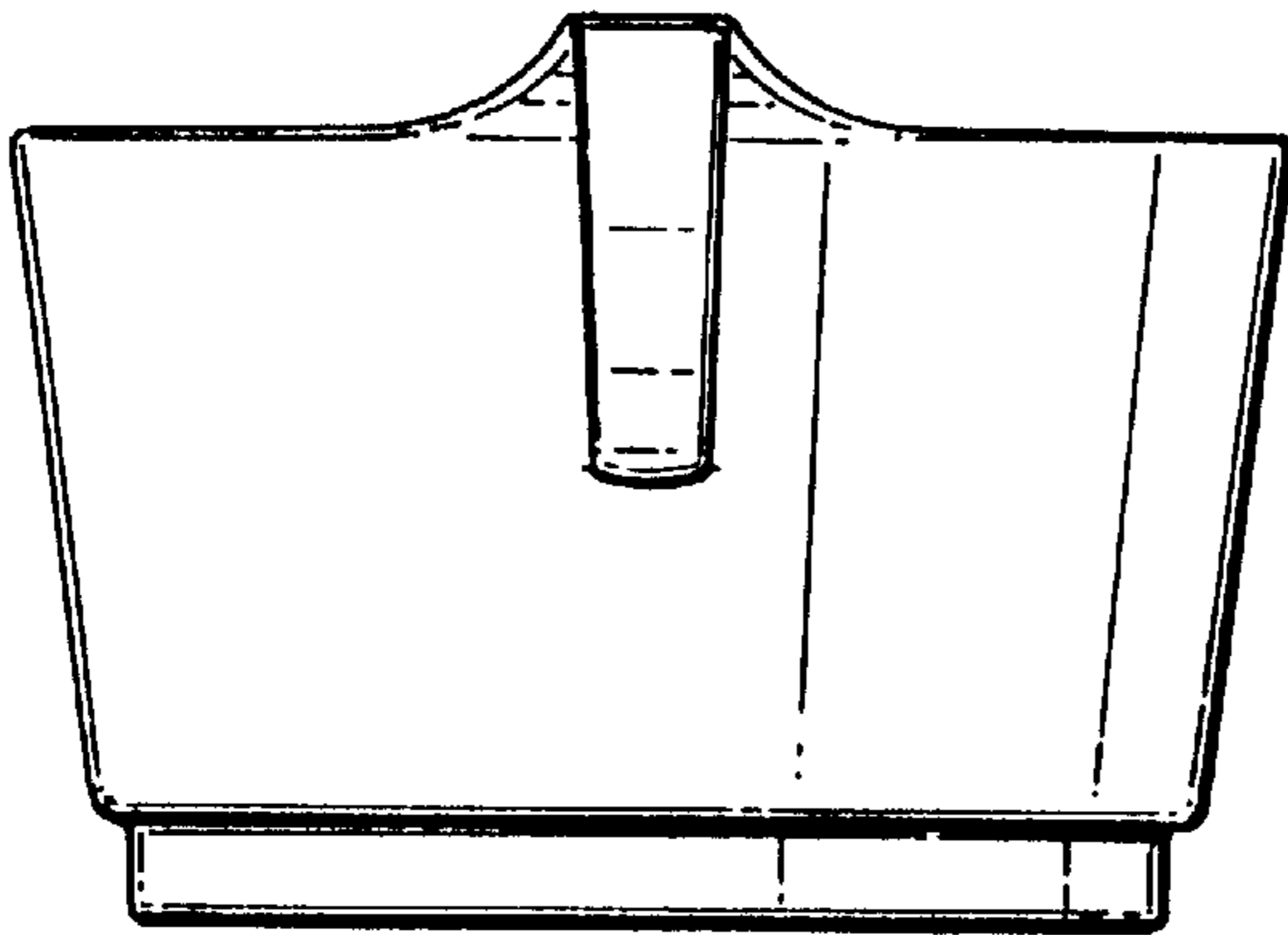


FIG. 5.

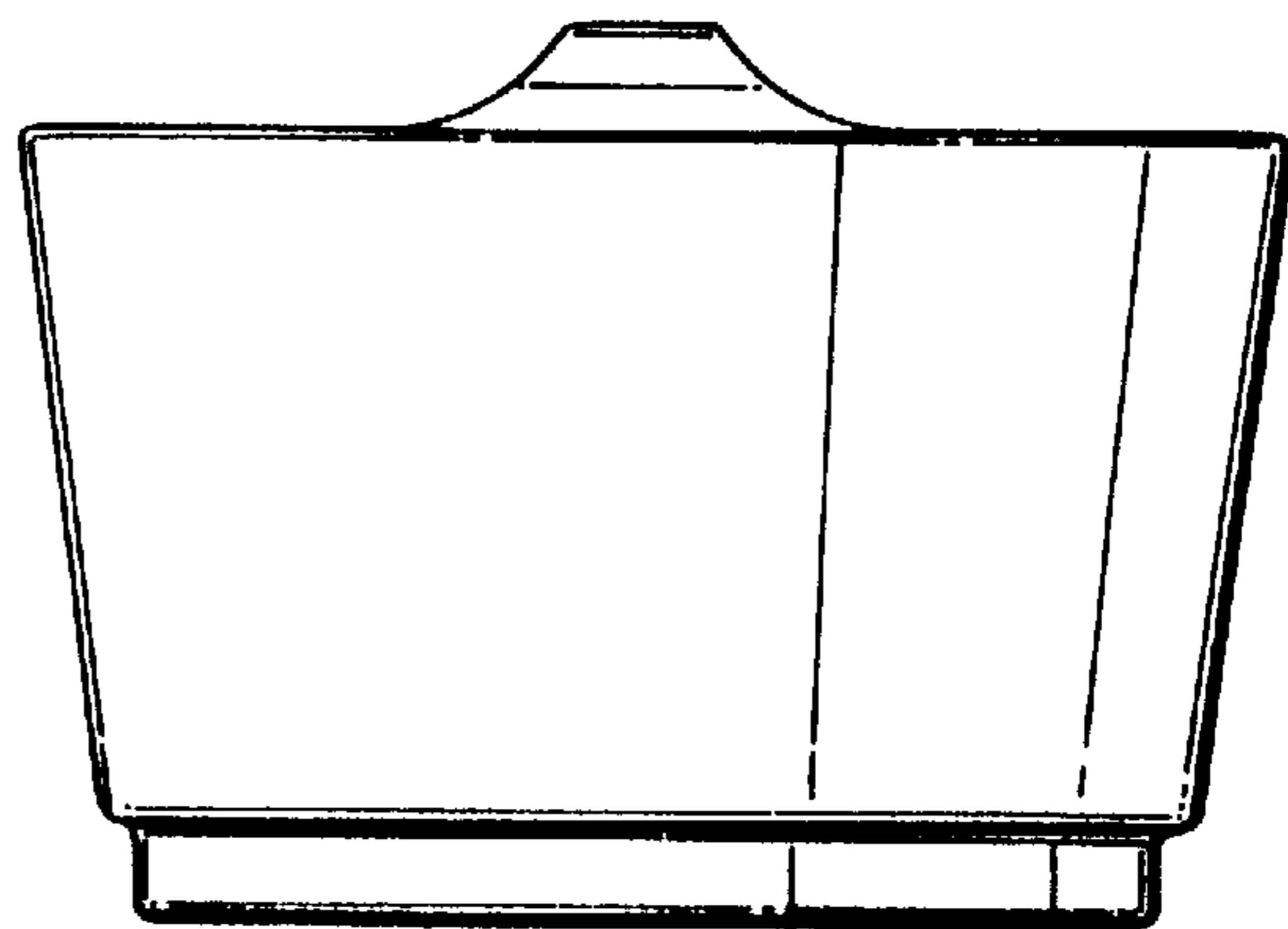


FIG. 6.

UNITED STATES PATENT AND TRADEMARK OFFICE
CERTIFICATE OF CORRECTION

PATENT NO. :Des. 416,759
DATED :November 23, 1999
INVENTOR(S) :Cornelissen

It is certified that error appears in the above-identified patent and that said Letters Patent is hereby corrected as shown below:

On the title page, item [75] correct "Blankerbergen" to read
--Blankenberge--

Signed and Sealed this
Thirteenth Day of June, 2000

Attest:



Q. TODD DICKINSON

Attesting Officer

Director of Patents and Trademarks