



US00D416755S

United States Patent [19]
Trombly

[11] **Patent Number: Des. 416,755**

[45] **Date of Patent: ** Nov. 23, 1999**

[54] **MUG LID DESIGN WITH PIVOTAL CLOSURE**

[75] Inventor: **Edgar F. Trombly**, Wayne County, Mich.

[73] Assignee: **Punch Products USA**, Rahway, N.J.

[**] Term: **14 Years**

[21] Appl. No.: **29/091,833**

[22] Filed: **Aug. 6, 1998**

[51] **LOC (6) Cl.** **07-99**

[52] **U.S. Cl.** **D7/392.1; D7/391; D7/396.2**

[58] **Field of Search** D7/391, 392, 392.1, D7/601, 602, 608, 538, 541, 542, 510, 511, 396.2; D9/503, 435, 440, 445, 446, 447, 454; 220/711, 713, 254

[56] **References Cited**

U.S. PATENT DOCUMENTS

D. 209,483	12/1967	Frank	D7/392.1
D. 289,955	5/1987	Buist	D7/510 X
D. 318,777	8/1991	Freese	D7/392
D. 364,071	11/1995	Lynd	D7/510

D. 396,381	7/1998	Chung	D7/510
D. 405,011	2/1999	DeCoster et al.	D9/447
3,297,208	1/1967	Swett	D7/392.1 X
4,629,088	12/1986	Durgin	220/713 X
4,925,051	5/1990	Herbst	220/713
4,949,865	8/1990	Turner	220/713
5,353,942	10/1994	Dominguez	220/711 X
5,660,302	8/1997	Trout	220/254 X

Primary Examiner—M. N. Pandozzi
Attorney, Agent, or Firm—Howard C. Miskin

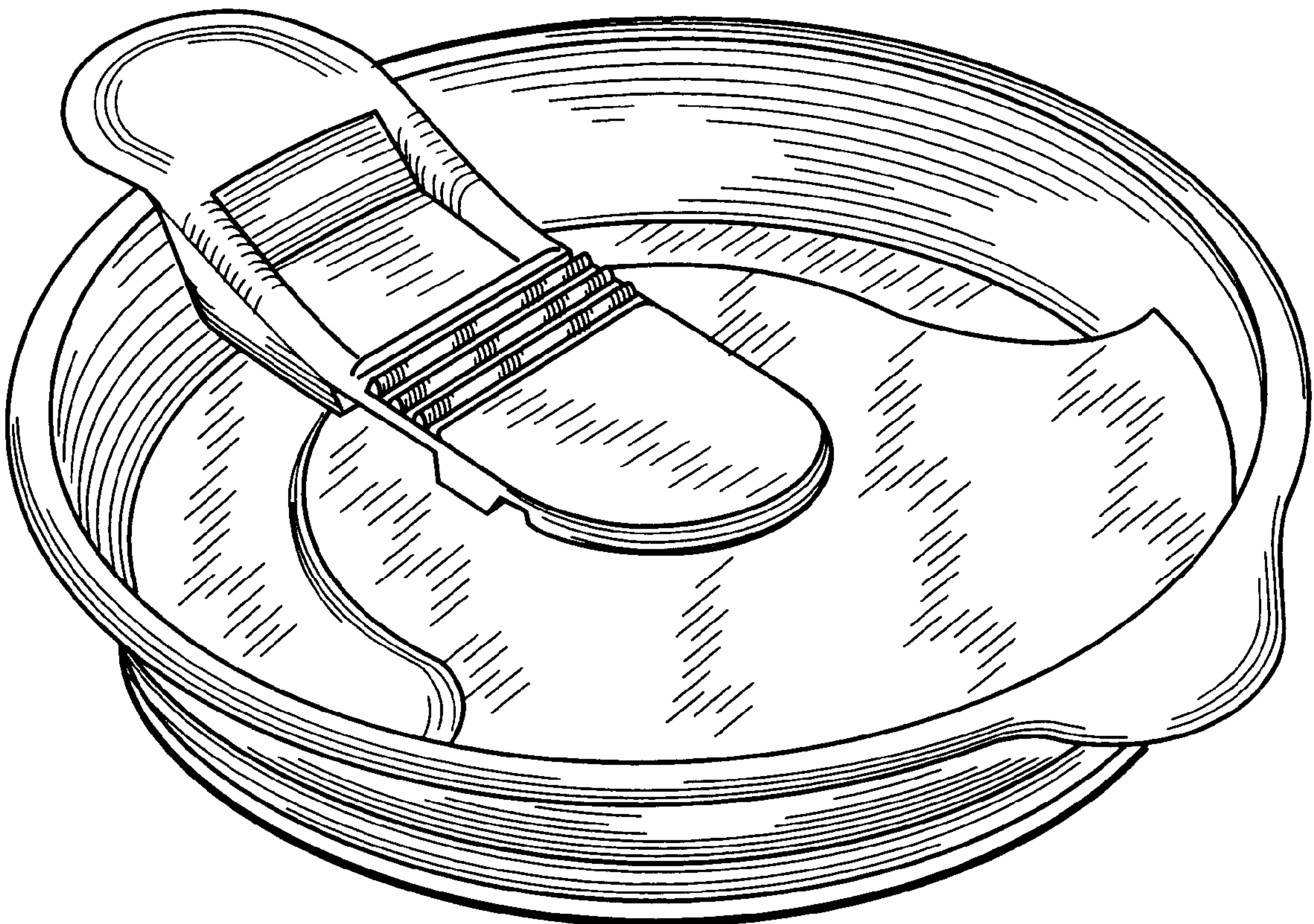
[57] **CLAIM**

The ornamental design for a mug lid design with pivotal closure, as shown and described.

DESCRIPTION

FIG. 1 is a perspective view of a mug lid design with pivotal closure showing my new design; FIG. 2 is a side view showing the closure to the right; FIG. 3 is a side view showing the closure to the left; FIG. 4 is a side view showing the closure to the front; FIG. 5 is a side view showing the closure to the rear; FIG. 6 is a top plan view; and, FIG. 7 is a bottom plan view.

1 Claim, 4 Drawing Sheets



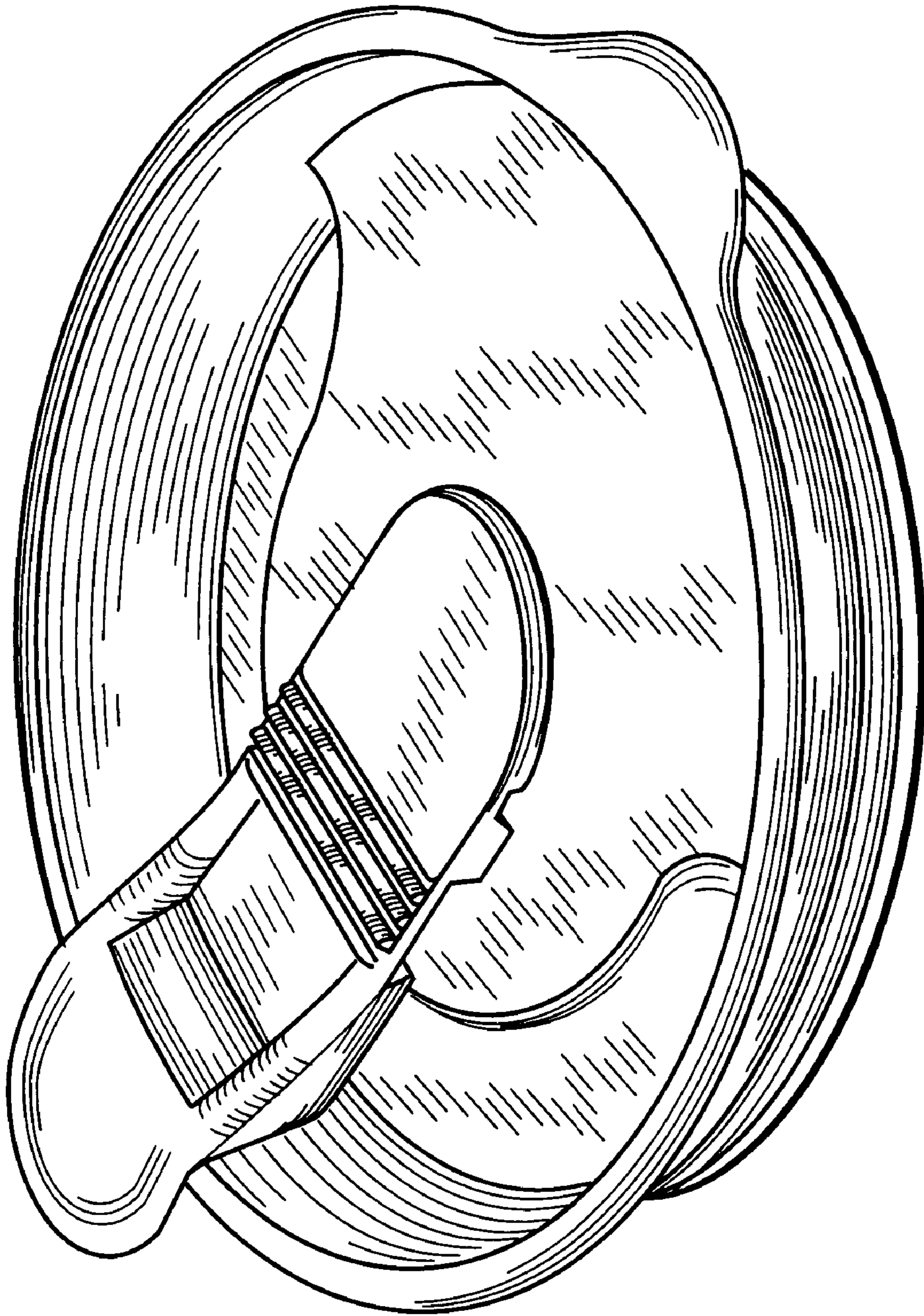


FIG. 1

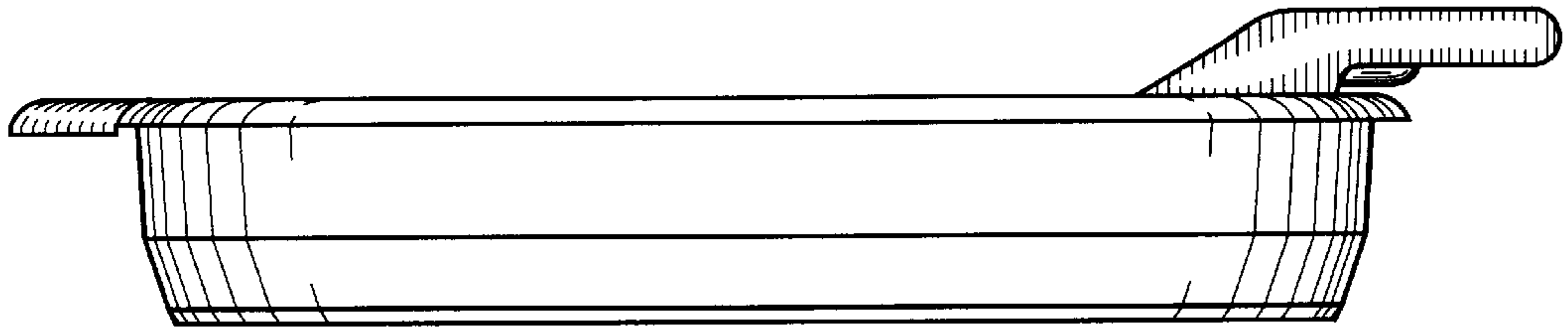


FIG. 2

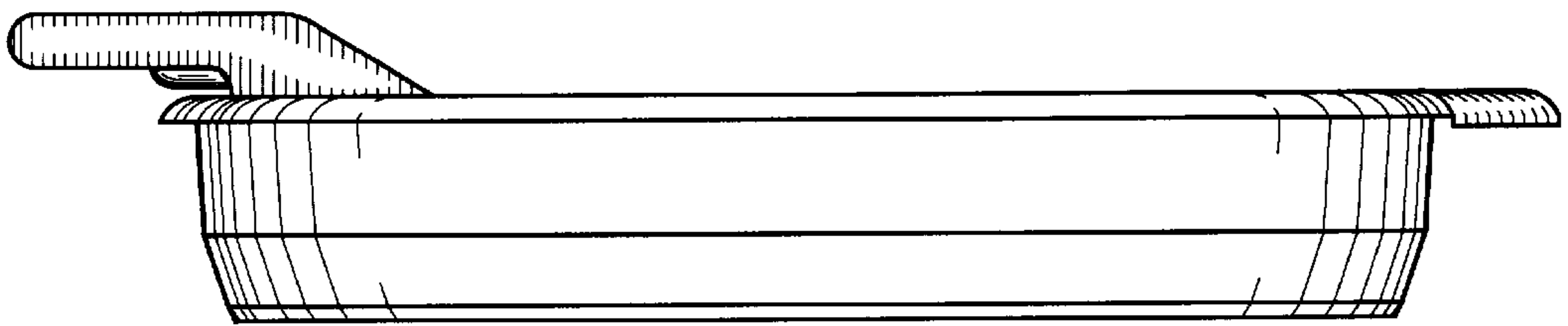


FIG. 3

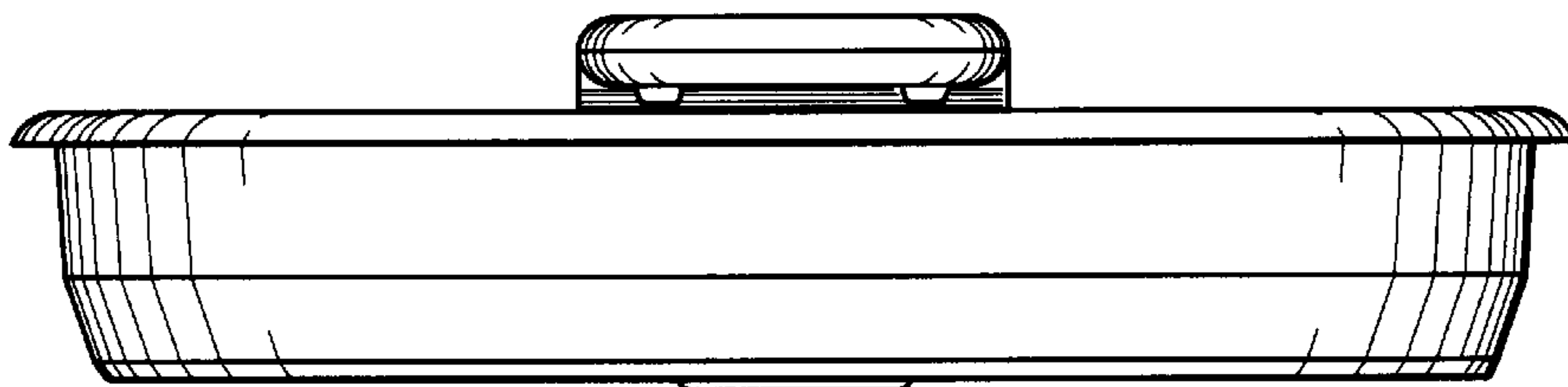


FIG. 4

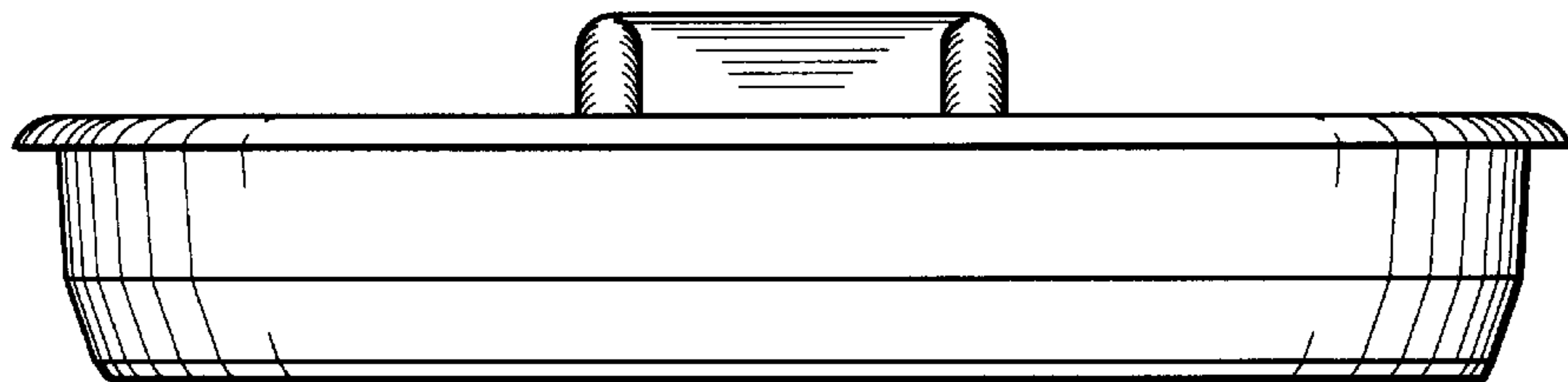


FIG. 5

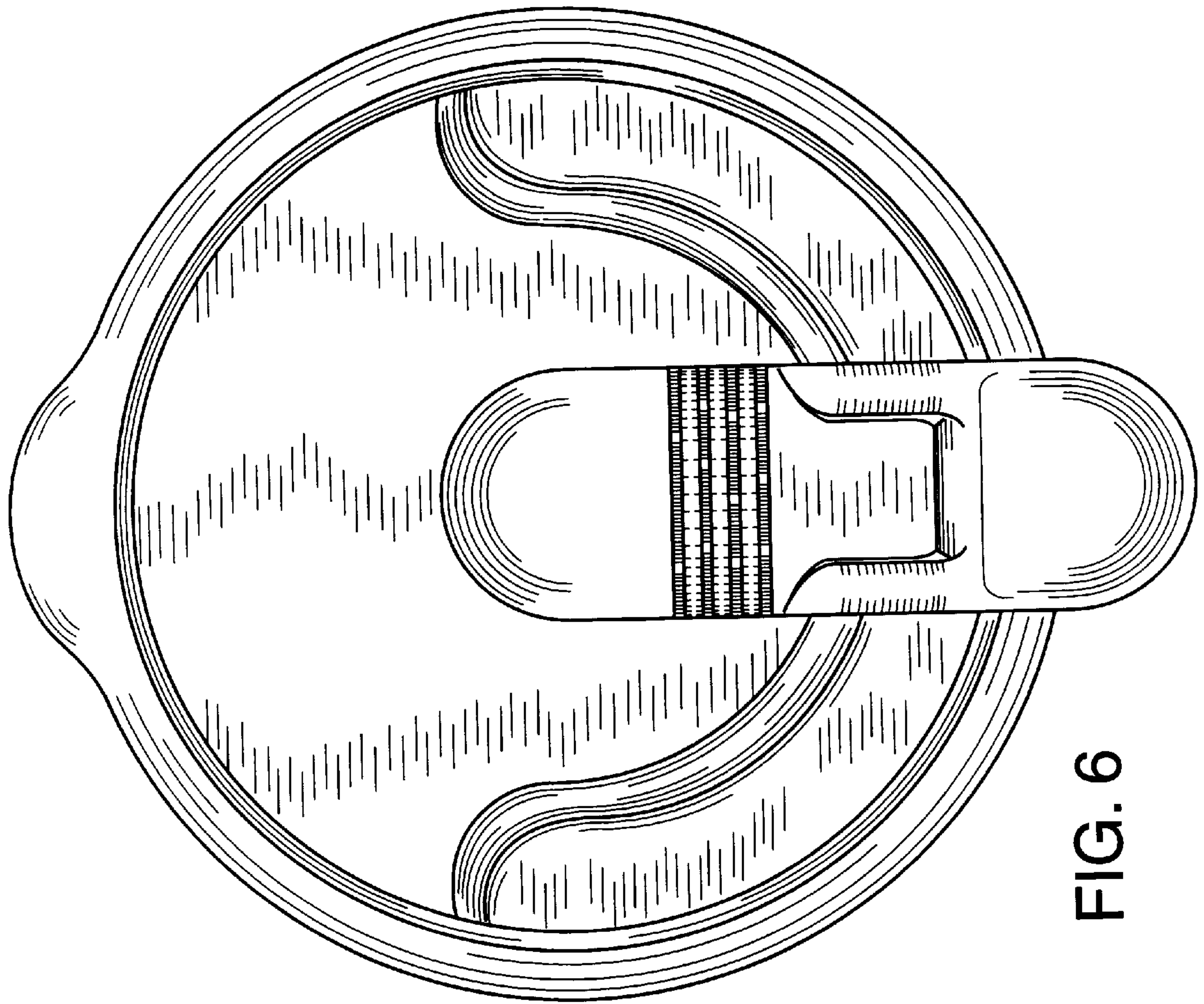


FIG. 6

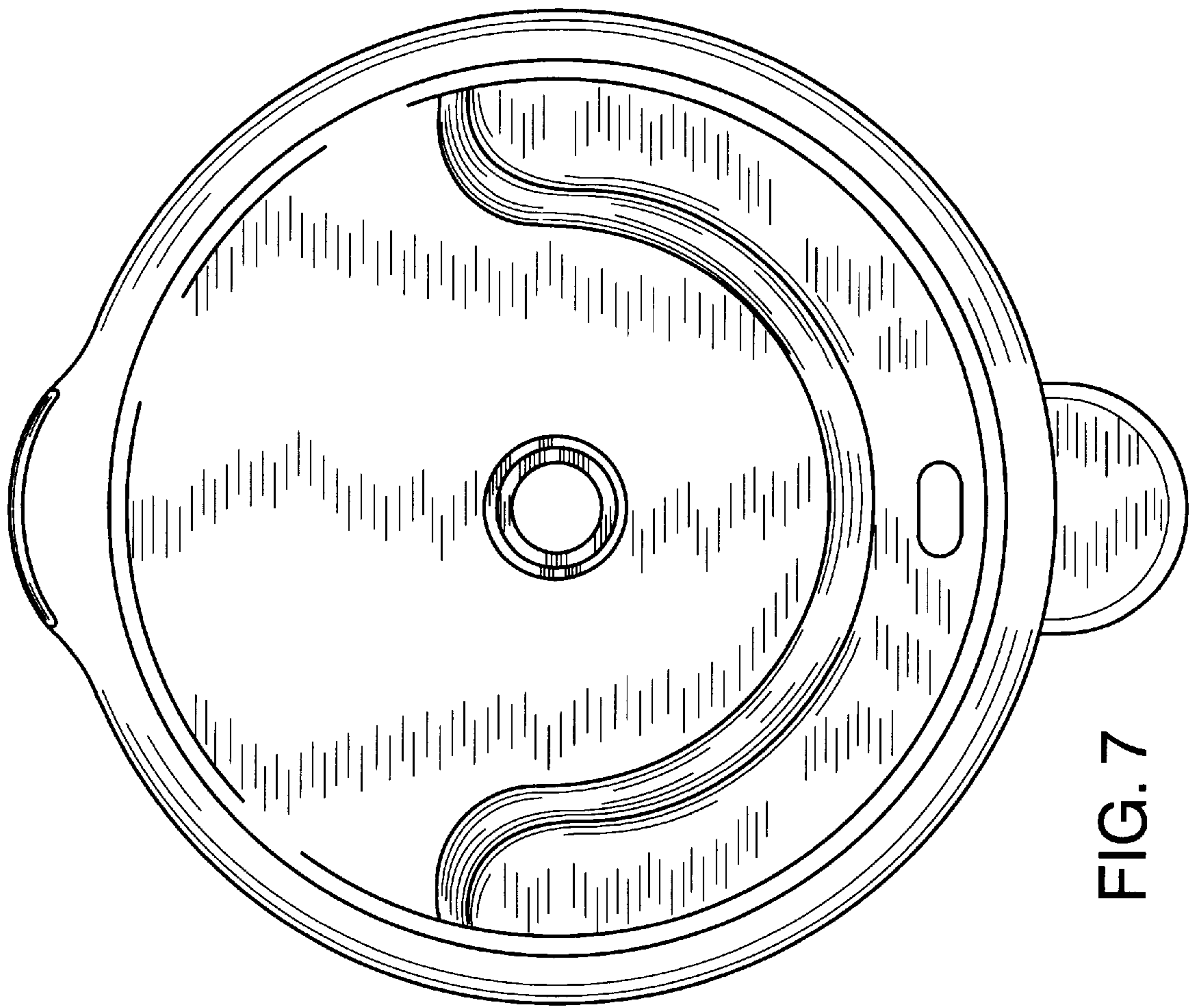


FIG. 7