



US00D416751S

United States Patent [19]
Sawyer et al.

[11] **Patent Number: Des. 416,751**

[45] **Date of Patent: ** Nov. 23, 1999**

[54] **FISH STEAMING TRAY**

[75] Inventors: **Derrell Sawyer**, Caddo Mills; **Donald R. Morris**, Greenville, both of Tex.

[73] Assignee: **Microperfect, Inc.**, Caddo Mills, Tex.

[**] Term: **14 Years**

[21] Appl. No.: **29/085,212**

[22] Filed: **Mar. 18, 1998**

[51] **LOC (6) Cl.** **07-02**

[52] **U.S. Cl.** **D7/359**; D9/418; D9/423

[58] **Field of Search** D7/500, 538, 323,
D7/354, 357, 359, 601; D9/341, 347, 418,
423, 425; 220/573.1, 574, 575, 500, 553,
556; 219/734

[56] **References Cited**

U.S. PATENT DOCUMENTS

D. 317,255 6/1991 Turk D9/341
D. 317,864 7/1991 Turk D9/341

D. 375,681 11/1996 Liebermann D9/347
D. 378,178 2/1997 Sawyer D7/359
4,705,927 11/1987 Levendusky et al. 219/731
4,941,401 7/1990 Sarnoff et al. 99/446
5,278,376 1/1994 Cyr 219/734

Primary Examiner—Caron D. Veynar
Attorney, Agent, or Firm—Smith & Danamraj, P.C.

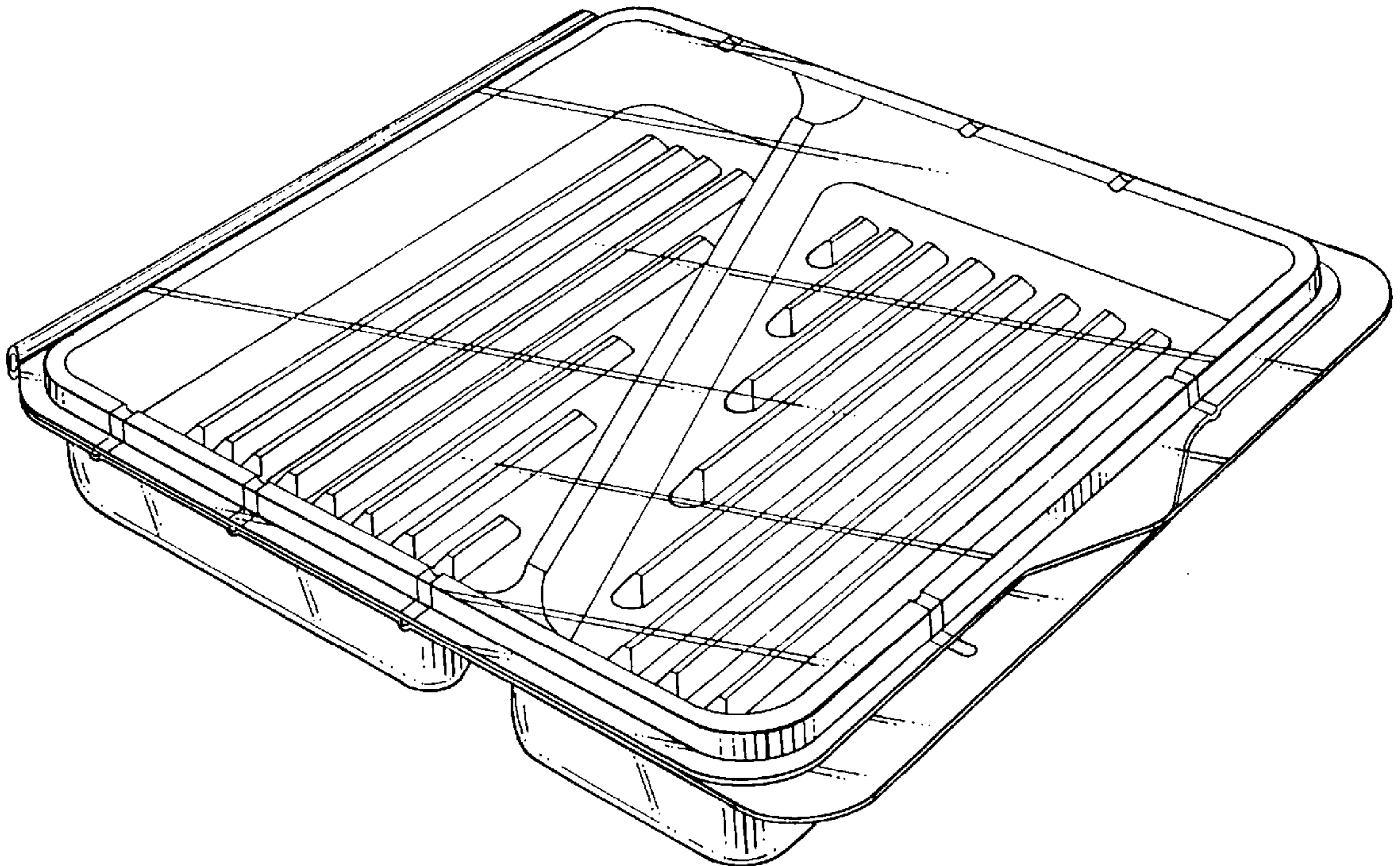
[57] **CLAIM**

The ornamental design for a fish steaming tray, as shown and described.

DESCRIPTION

FIG. 1 is a perspective view of the fish steaming tray; FIG. 2 is a front elevational view of the fish steaming tray; FIG. 3 is a right side elevational view of the fish steaming tray; FIG. 4 is a left side elevational view of the fish steaming tray; FIG. 5 is a top plan view of the fish steaming tray; FIG. 6 is a bottom plan view of the fish steaming tray; and, FIG. 7 is a rear elevational view of the fish steaming tray.

1 Claim, 3 Drawing Sheets



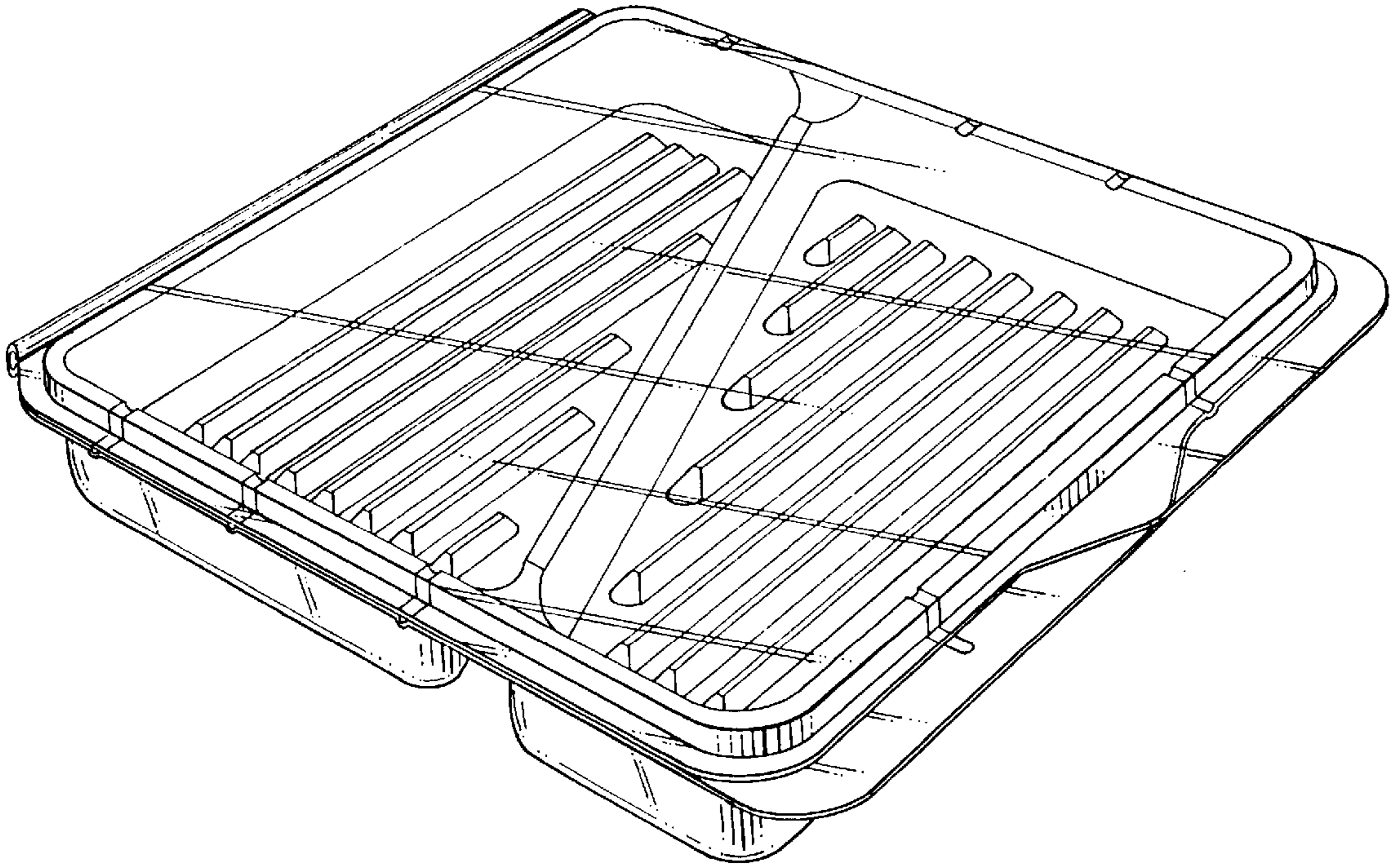


FIG. 1

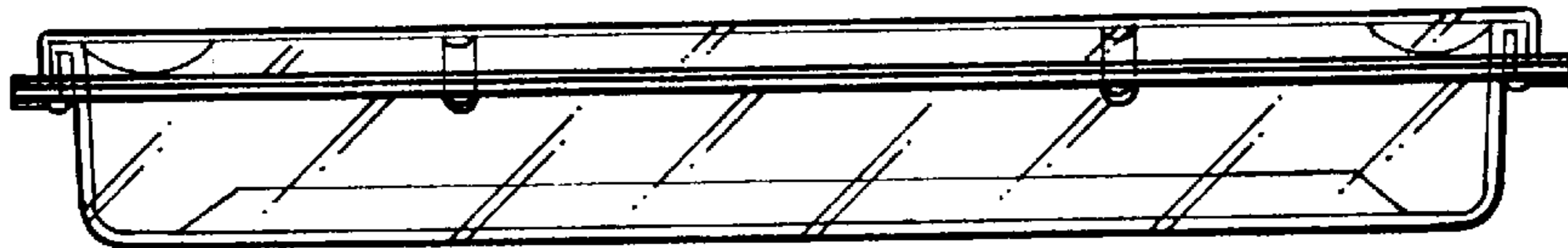


FIG. 2

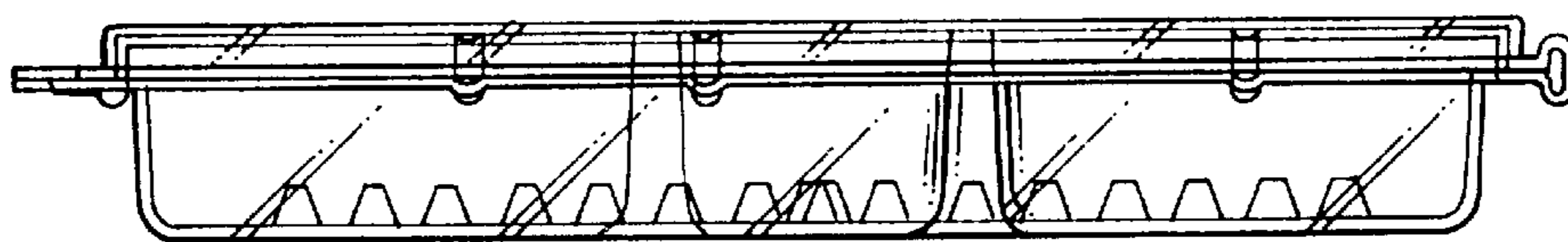


FIG. 3

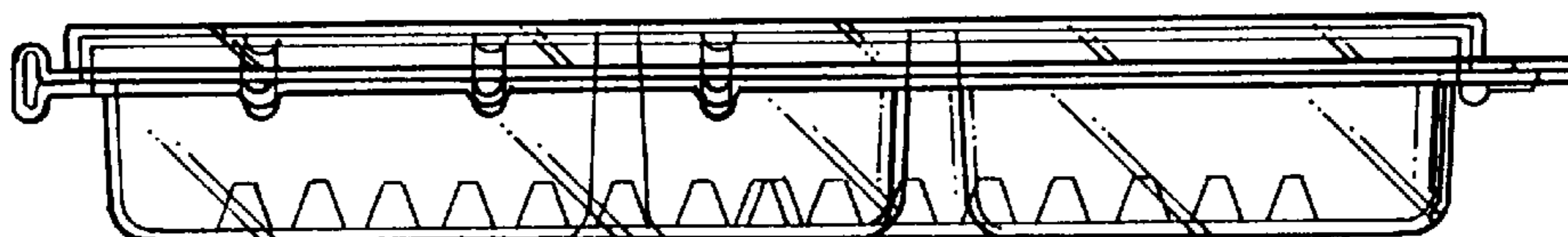


FIG. 4

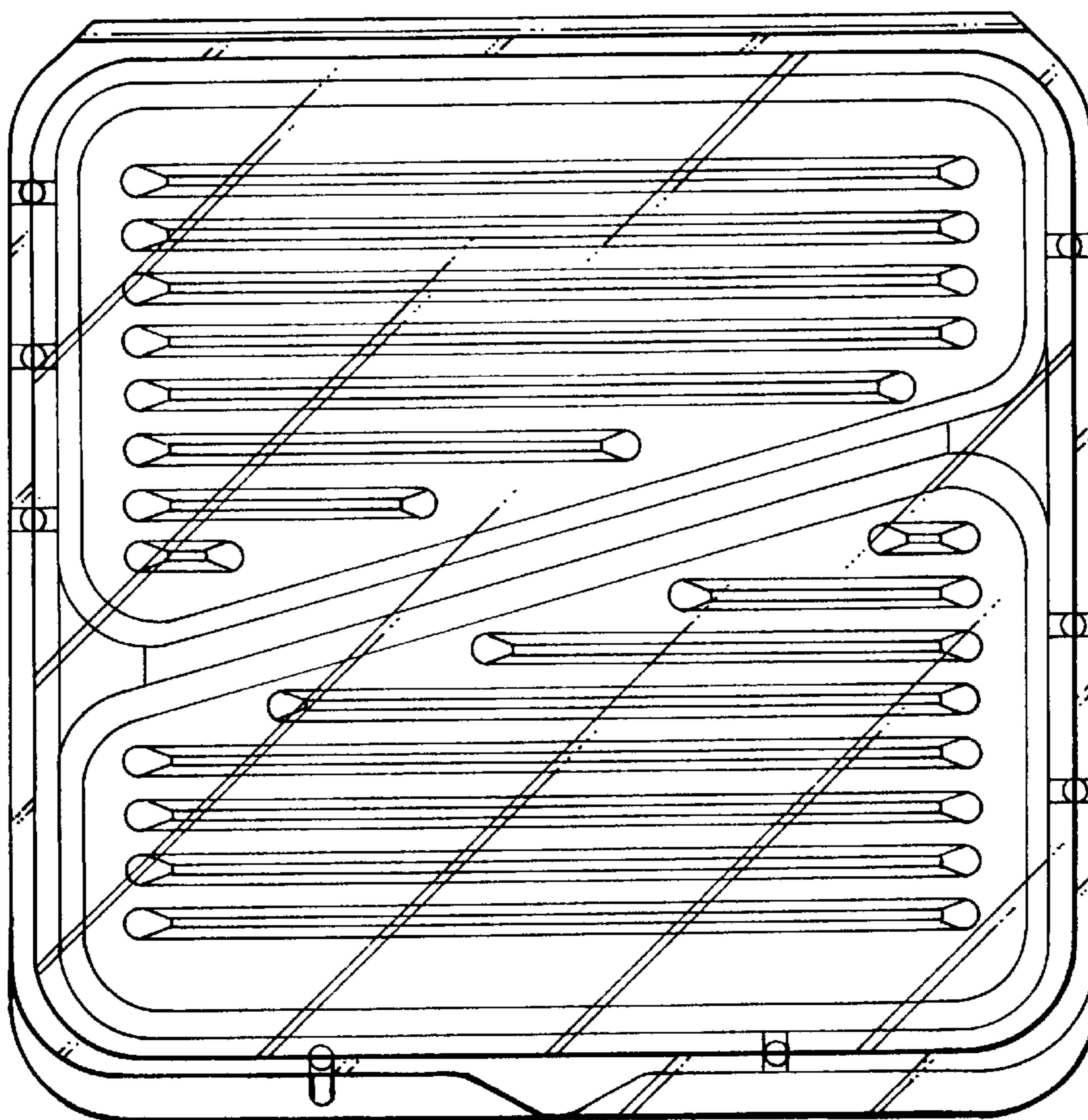


FIG. 5

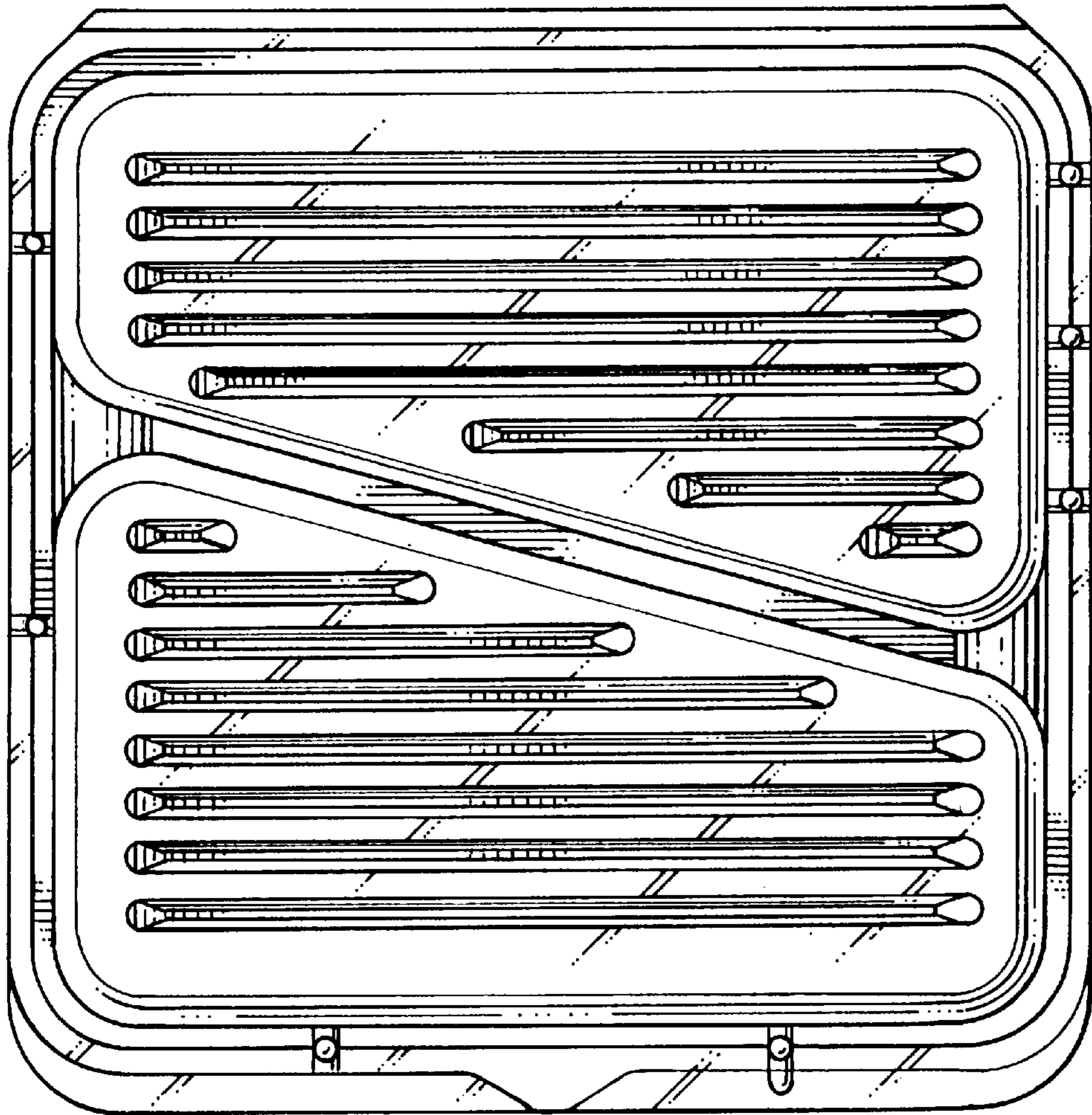


FIG. 6

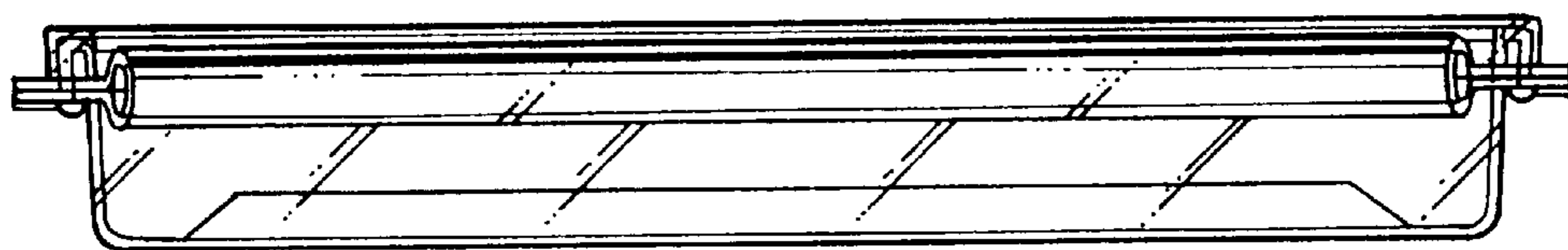


FIG. 7