



US00D416749S

United States Patent [19]
Moran

[11] **Patent Number: Des. 416,749**
[45] **Date of Patent: ** Nov. 23, 1999**

[54] **CARAFE WITH STYLIZED HANDLE AND SPOUT**

[75] Inventor: **Jorge E. Moran**, Nashville, Tenn.

[73] Assignee: **Megatrade International, Inc.**, Nashville, Tenn.

[**] Term: **14 Years**

[21] Appl. No.: **29/085,681**

[22] Filed: **Mar. 27, 1998**

[51] **LOC (6) Cl.** **07-01**

[52] **U.S. Cl.** **D7/319; D7/318**

[58] **Field of Search** D7/312, 314, 317, D7/318, 319, 321, 322, 598, 600, 590; 99/295, 279; 210/474; 222/469, 465.1; 116/67 R

[56] **References Cited**

U.S. PATENT DOCUMENTS

D. 200,116	1/1965	Olsen	D7/319
D. 219,994	2/1971	Ernest	D7/319
D. 232,897	9/1974	Kemnitzer	D7/319

D. 239,687	4/1976	Bregen	D7/319
D. 248,917	8/1978	Kikuchi	D7/319
D. 269,585	7/1983	Phillips	D7/321
D. 284,927	8/1986	Zimmermann	D7/317
D. 286,365	10/1986	Gremontprez et al.	D7/321
D. 315,471	3/1991	Van Deuresen	D7/319
D. 409,040	5/1999	Moran, Jr. et al.	D7/319

Primary Examiner—M. N. Pandozzi
Attorney, Agent, or Firm—Arent Fox Kintner Plotkin & Kahn, PLLC

[57] **CLAIM**

The ornamental design for a carafe with stylized handle and spout, as shown and described.

DESCRIPTION

FIG. 1 is a front elevation view of the carafe with stylized handle and spout showing my new design; FIG. 2 is a side elevation view thereof; FIG. 3 is a rear elevation view thereof; FIG. 4 is a top plan view thereof; FIG. 5 is an exploded side elevation view thereof; FIG. 6 is an exploded top plan view thereof; and, FIG. 7 is a bottom plan view thereof.

1 Claim, 4 Drawing Sheets

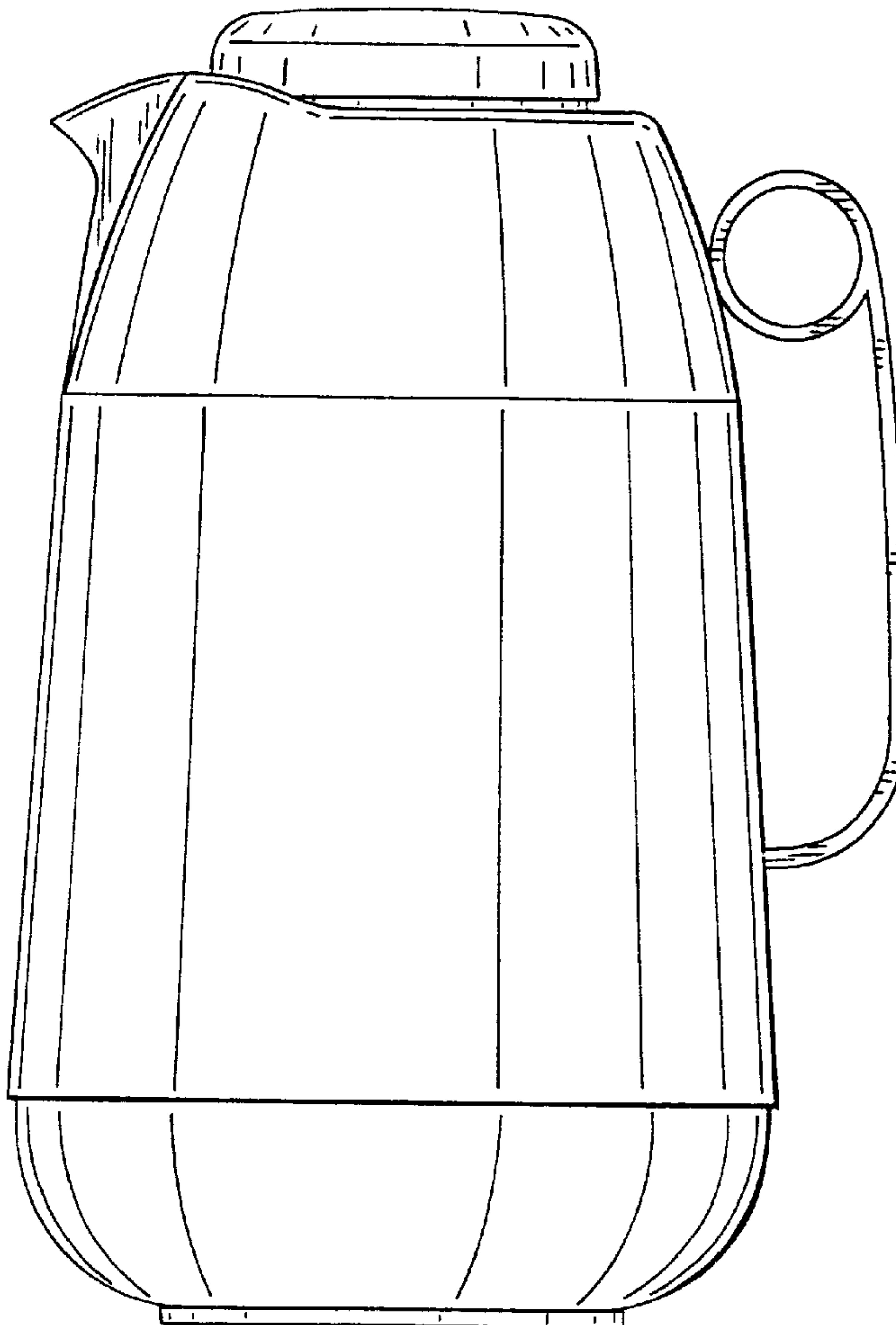


FIG. 1

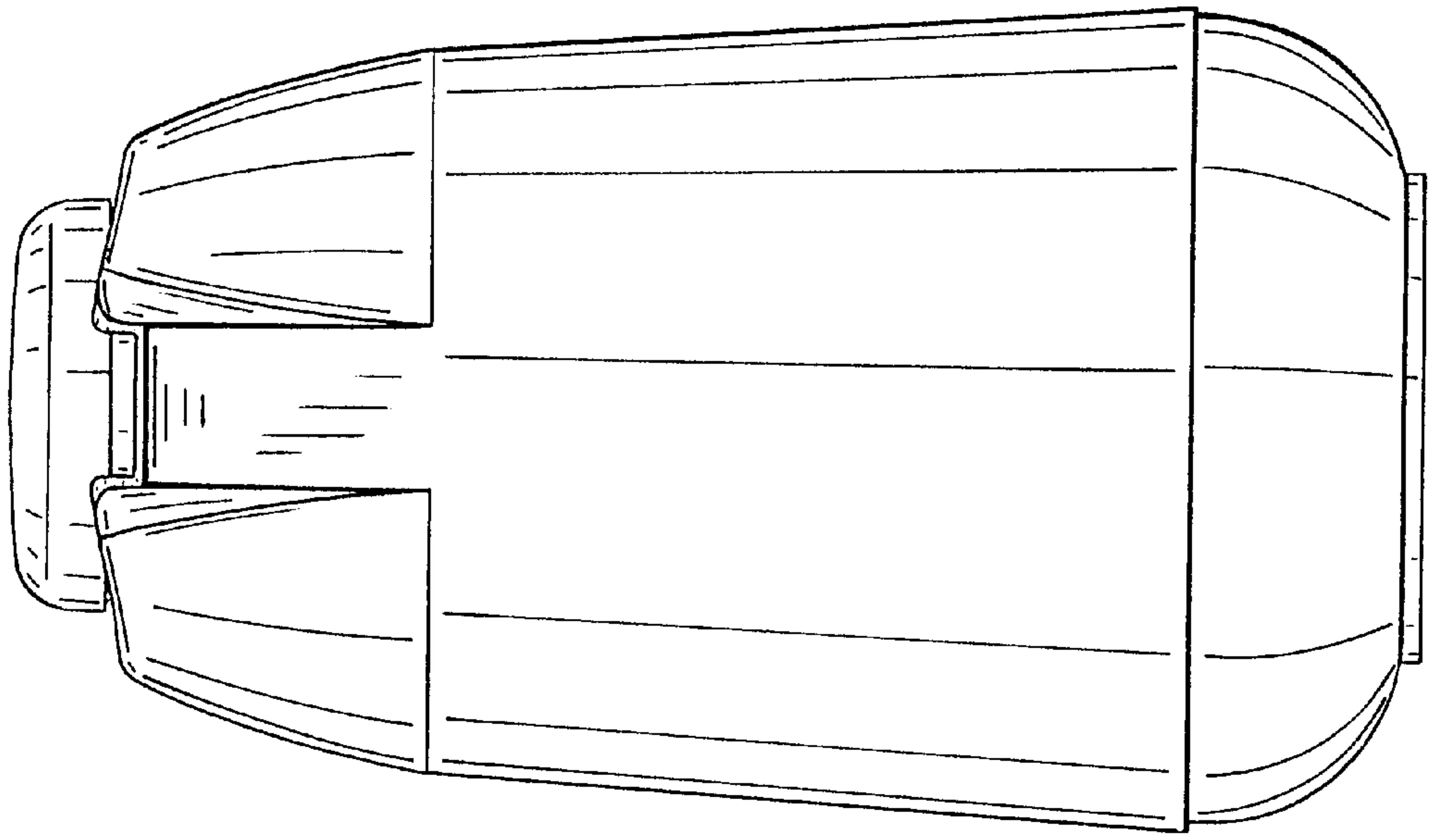


FIG. 2

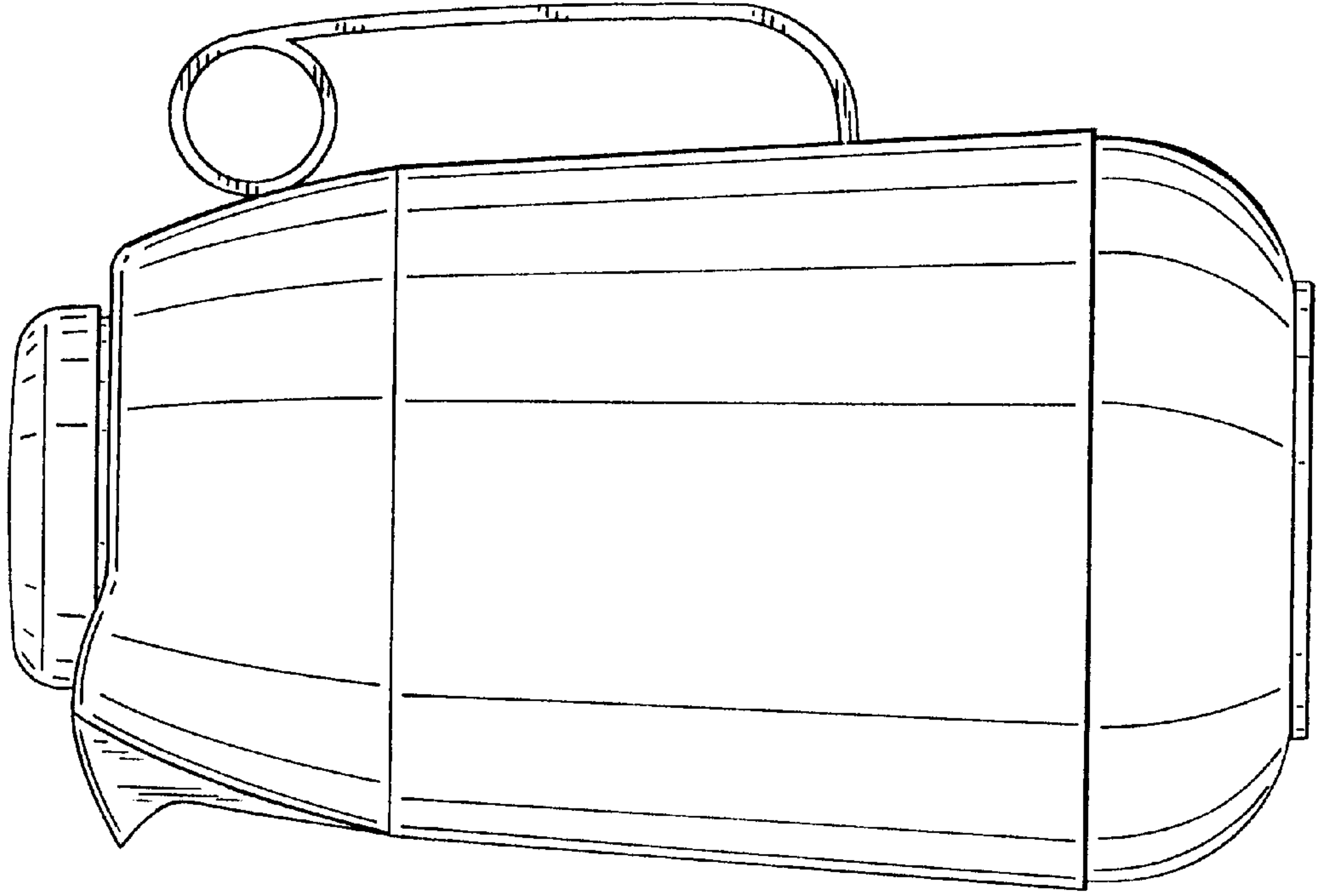


FIG. 3

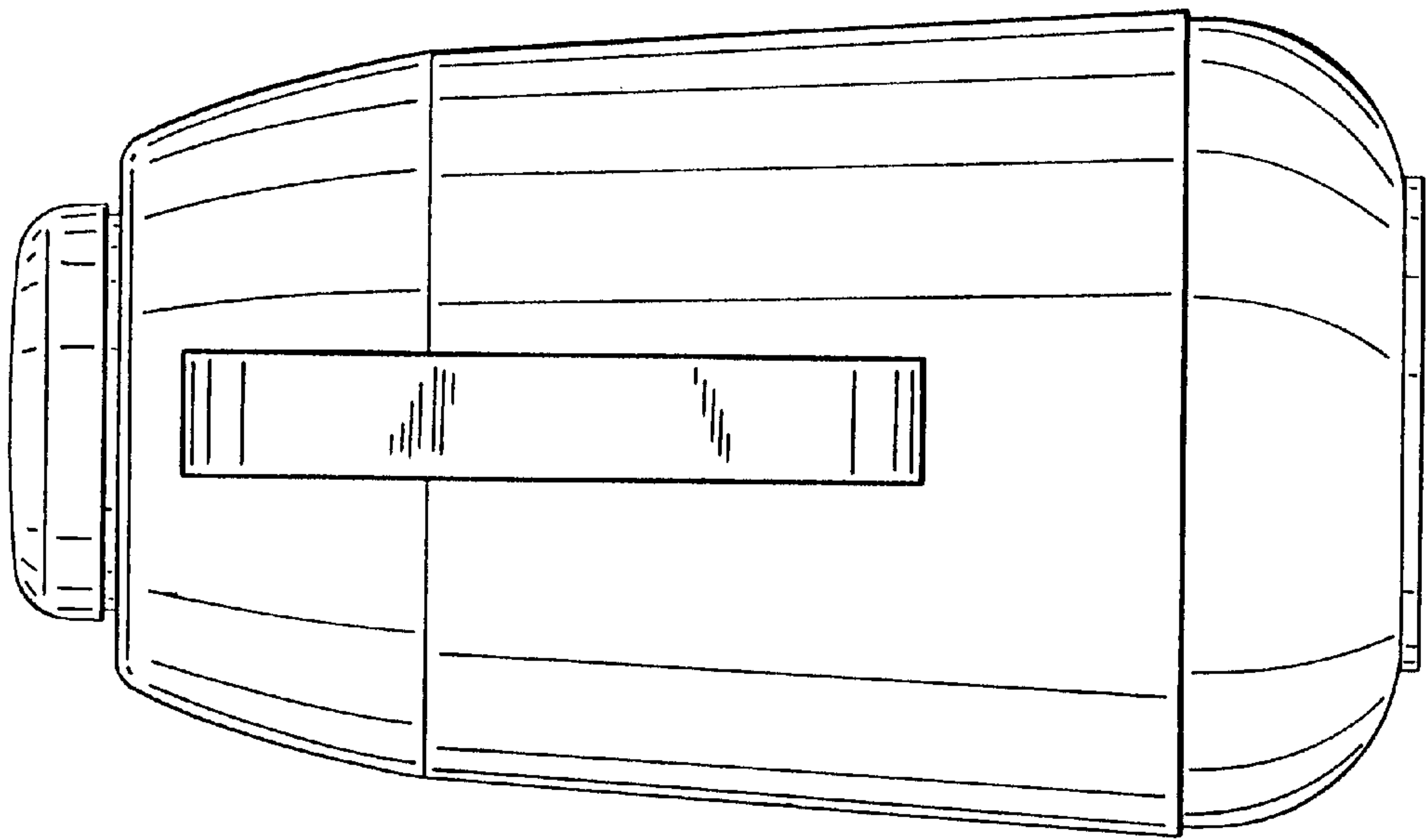


FIG. 4

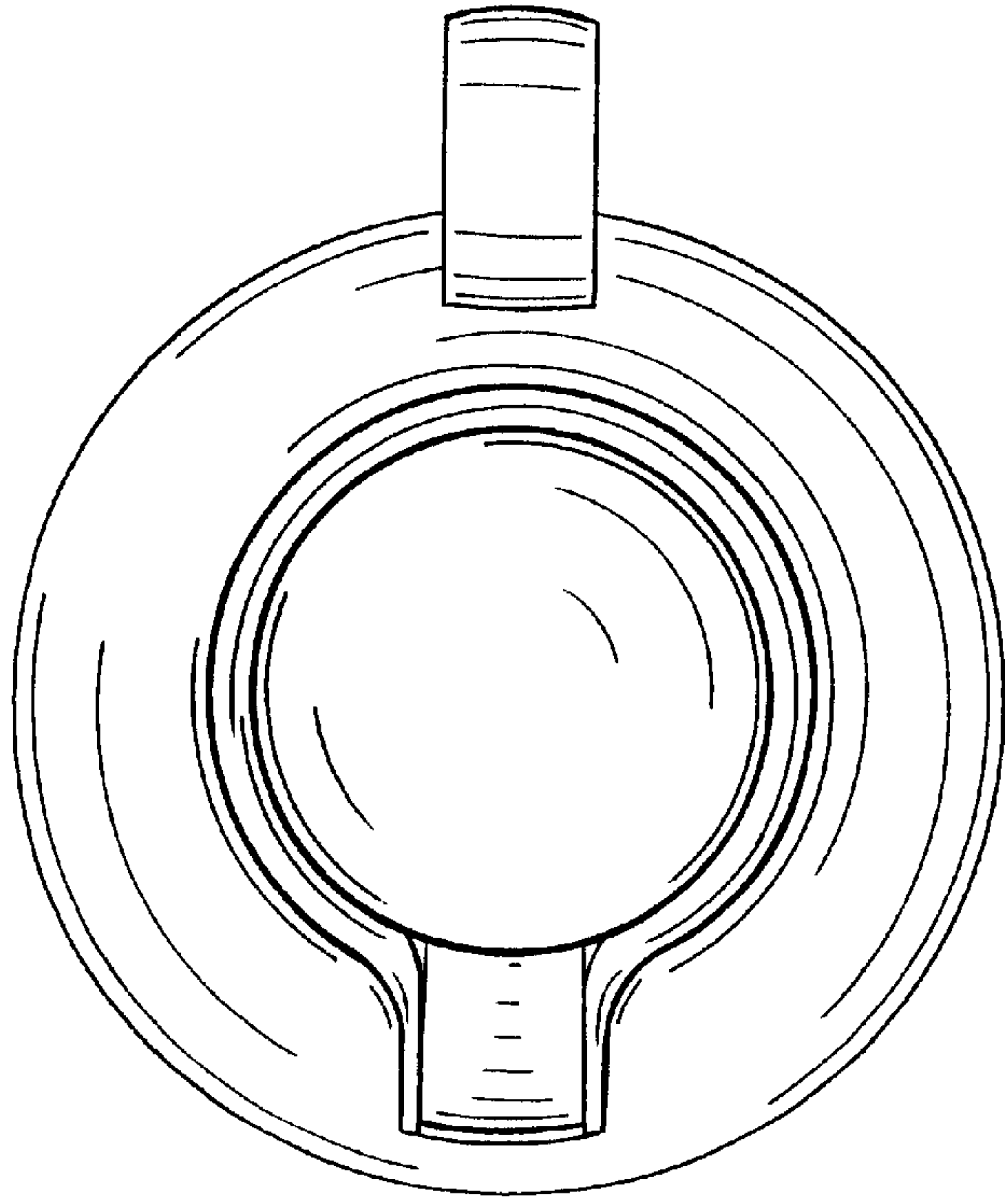


FIG. 5

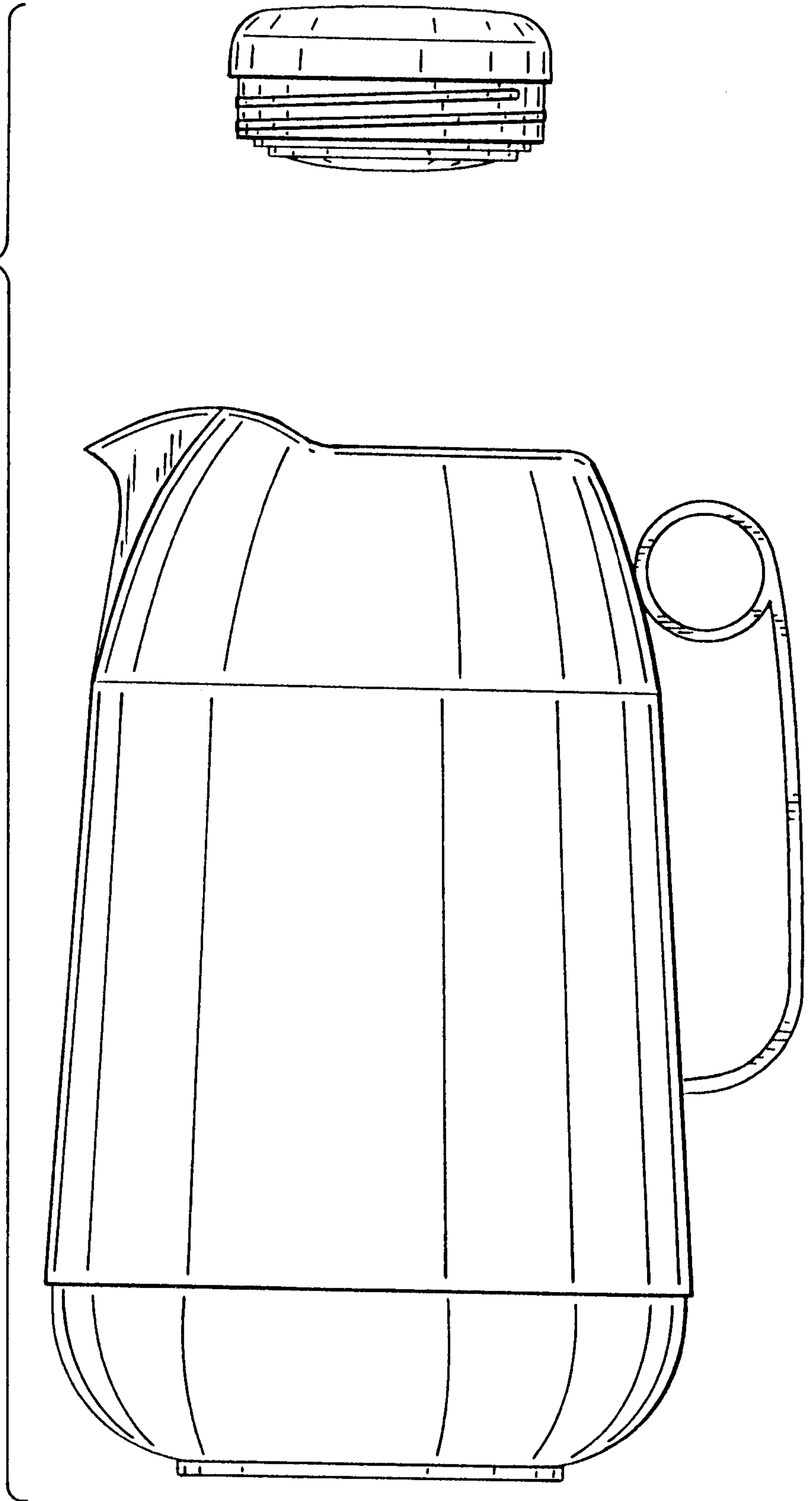


FIG. 6

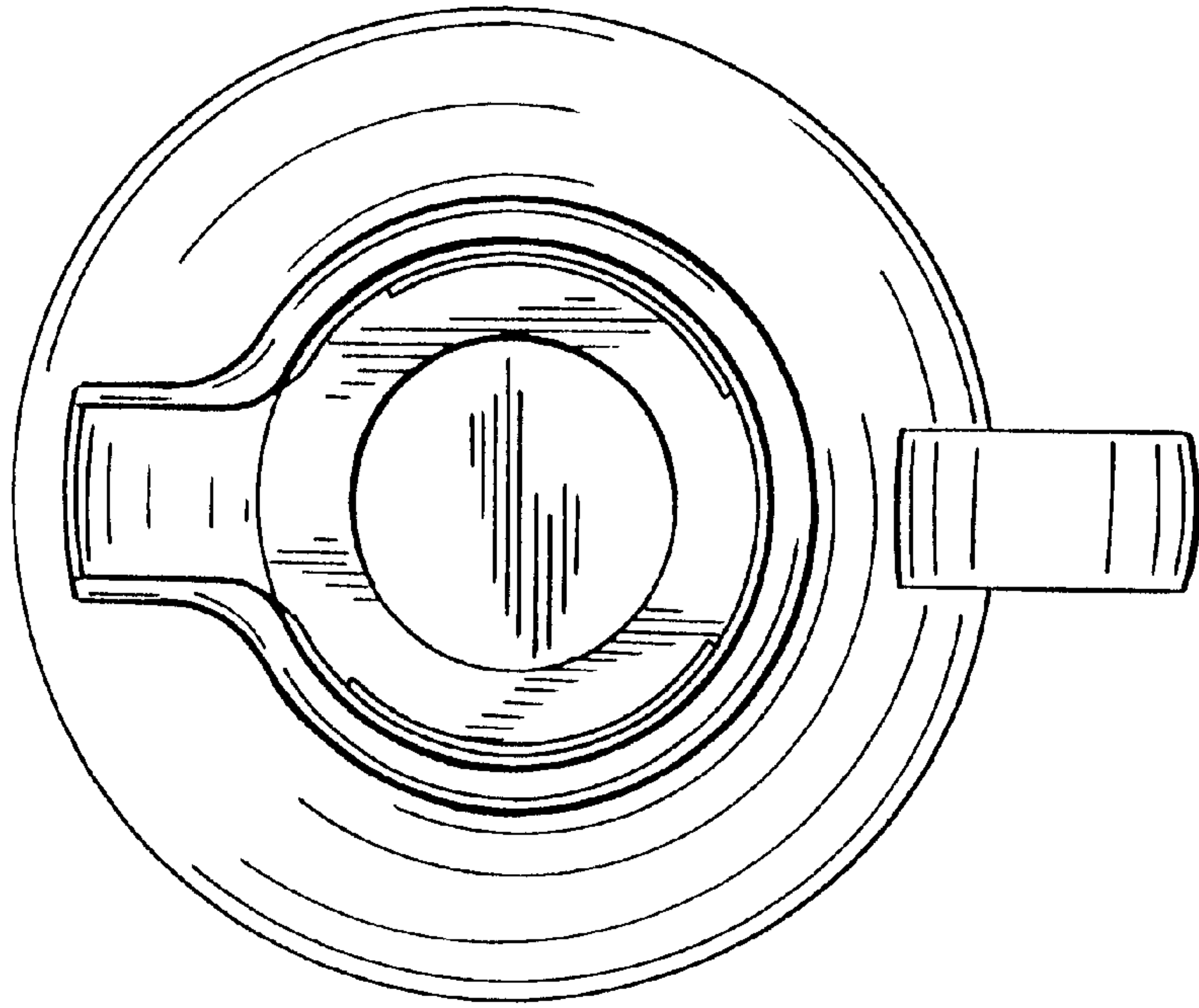


FIG. 7

