



US00D416735S

United States Patent [19]

Haase et al.

[11] **Patent Number: Des. 416,735**

[45] **Date of Patent: ** Nov. 23, 1999**

[54] **MAGNETIC ARTICLE HOLDER**

[76] Inventors: **Gerald A. Haase**, 959 Country Club Rd., Lake Oswego, Oreg. 97034;
Gerald A. Haase, Jr., 1959 NE. 162nd Pl., Portland, Oreg. 97230

[**] Term: **14 Years**

[21] Appl. No.: **29/091,505**

[22] Filed: **Jul. 30, 1998**

[51] **LOC (6) Cl. 08-08**

[52] **U.S. Cl. D6/553**

[58] **Field of Search** D6/553, 552, 567,
D6/527; 211/87, 88-89, 60.1, 70.6, 70.7,
86, DIG. 1; 200/77.1, 352, 818; 248/37.3;
221/89; 206/350

[56] **References Cited**

U.S. PATENT DOCUMENTS

D. 190,741 6/1961 Cronheim 211/DIG. 1 X
D. 253,144 10/1979 Heckler D6/527

D. 327,387 6/1992 Hofer D6/553
D. 372,390 8/1996 Lloyd-Morris et al. D6/553
3,842,980 10/1974 Kushner 211/DIG. 1 X
4,497,412 2/1985 LaBelle 221/89 X

Primary Examiner—Brain H. Vinson
Attorney, Agent, or Firm—Olson & Olson

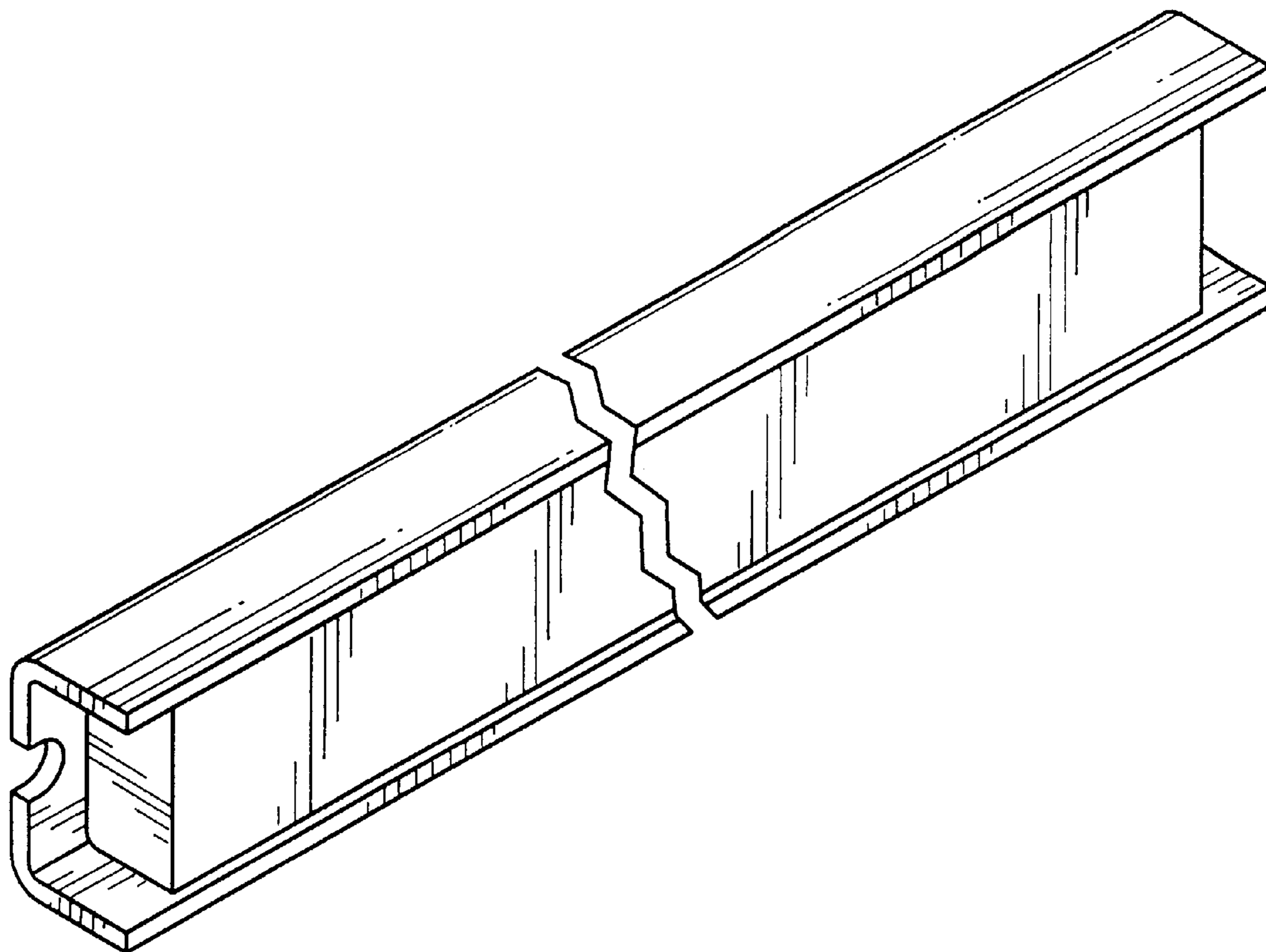
[57] **CLAIM**

The ornamental design for a magnetic article holder, as shown and described.

DESCRIPTION

FIG. 1 is a front perspective view of a magnetic article holder showing our new design, the body being foreshortened to indicate variable length.
FIG. 2 is a front view thereof;
FIG. 3 is a rear view thereof;
FIG. 4 is a side view thereof, the opposite side being a mirror image; and,
FIG. 5 is an end view thereof, the opposite end being a mirror image.

1 Claim, 1 Drawing Sheet



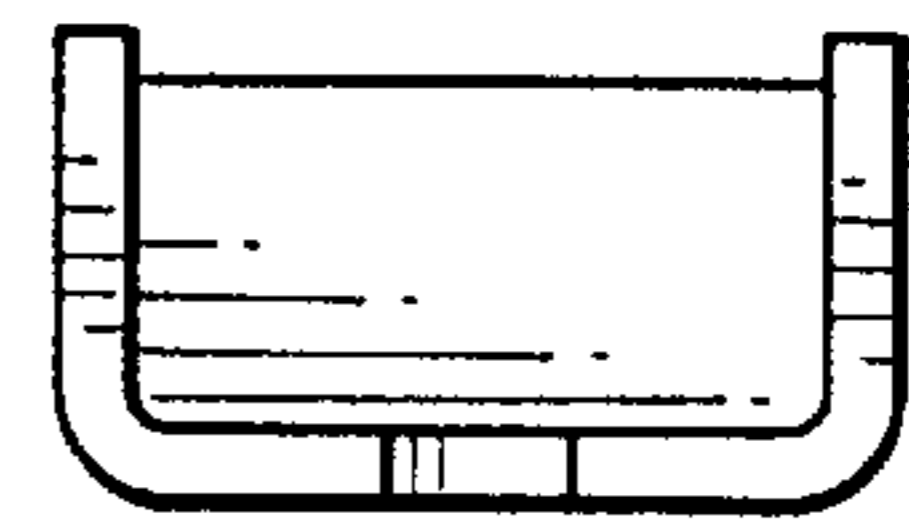
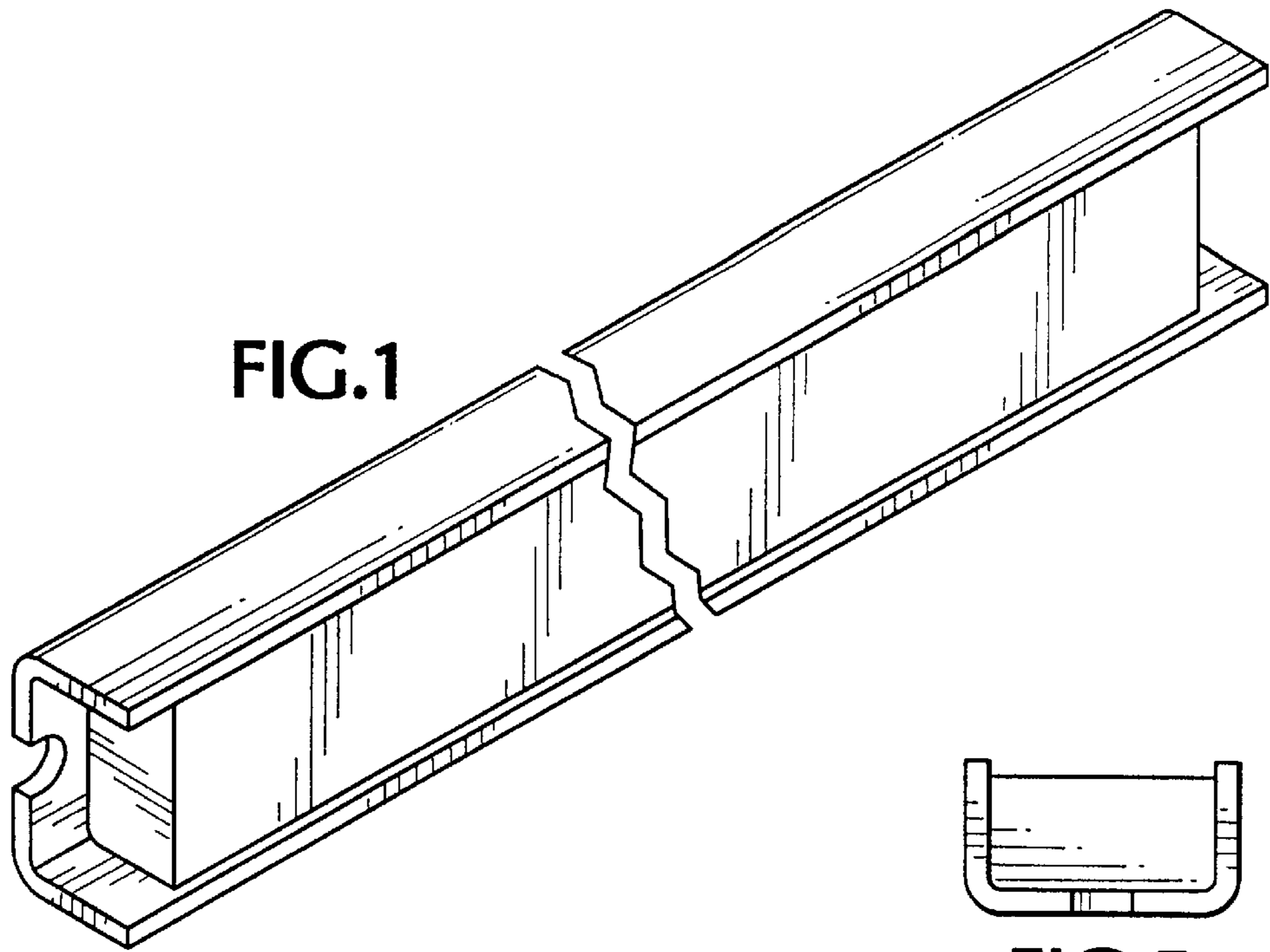


FIG. 5

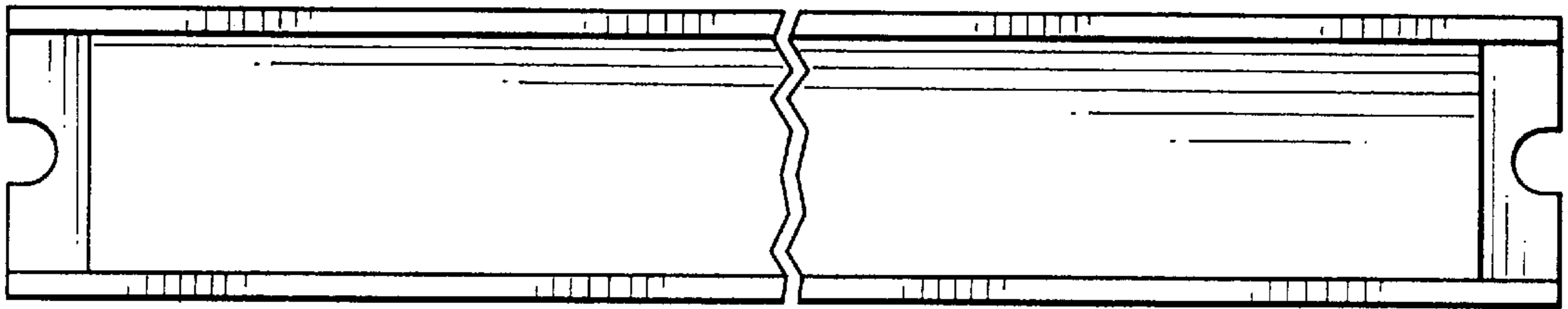


FIG. 2

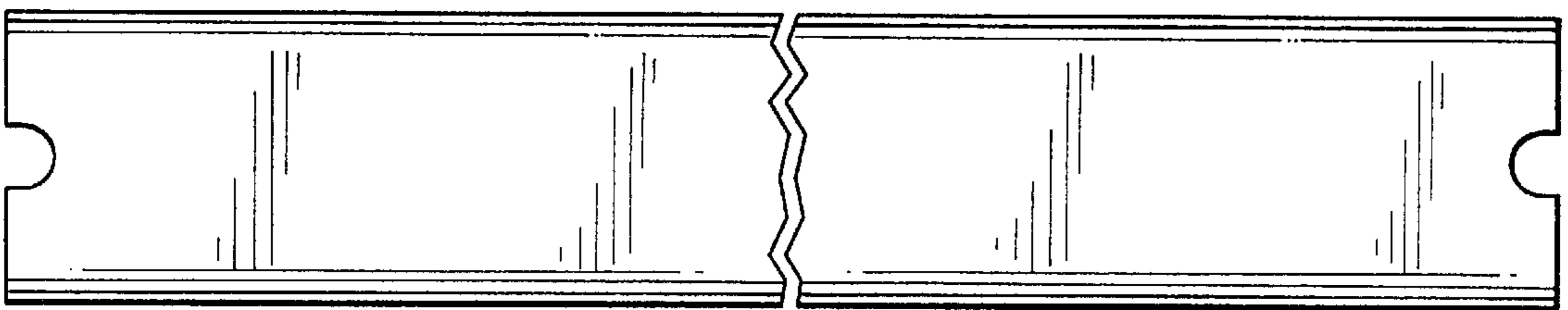


FIG. 3

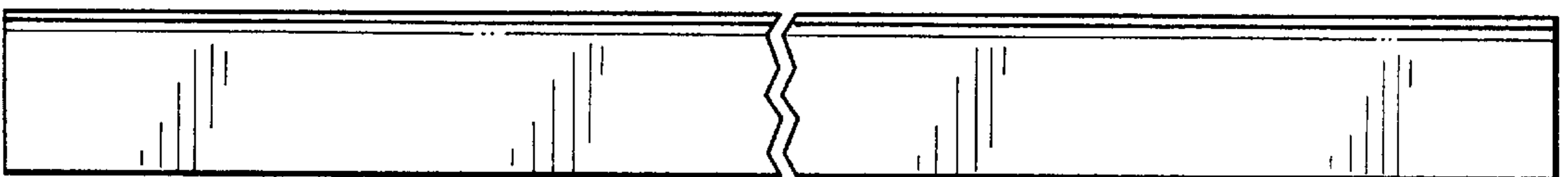


FIG. 4