



US00D416733S

United States Patent [19]

Reeves

[11] Patent Number: Des. 416,733

[45] Date of Patent: ** Nov. 23, 1999

[54] RETRACTABLE T-HOOK PARTS RACK

4,008,871 2/1977 Rex 248/205

[76] Inventor: Dennis L. Reeves, 5189 Via de Mansion, La Verne, Calif. 91750

Primary Examiner—Kay H. Chin
Attorney, Agent, or Firm—Christie, Parker & Hale, LLP

[**] Term: 14 Years

[57] CLAIM

[21] Appl. No.: 29/082,464

The ornamental design for a retractable T-hook parts rack, as shown and described.

[22] Filed: Jan. 22, 1998

DESCRIPTION

[51] LOC (6) Cl. 08-08

[52] U.S. Cl. D6/553; D6/513

[58] Field of Search D6/512, 513, 514,
D6/553, 556; 211/85.31, 113, 18; 248/304,
205.1, 215

FIG. 1 is a front perspective view of a retractable T-hook parts rack according to my new design;
FIG. 2 is a front perspective view thereof showing the rack partially extended;
FIG. 3 is a right side elevational view thereof;
FIG. 4 is a left side elevational view thereof;
FIG. 5 is a top plan view thereof;
FIG. 6 is a bottom plan view thereof;
FIG. 7 is a front elevational view thereof; and,
FIG. 8 is a rear elevational view thereof.

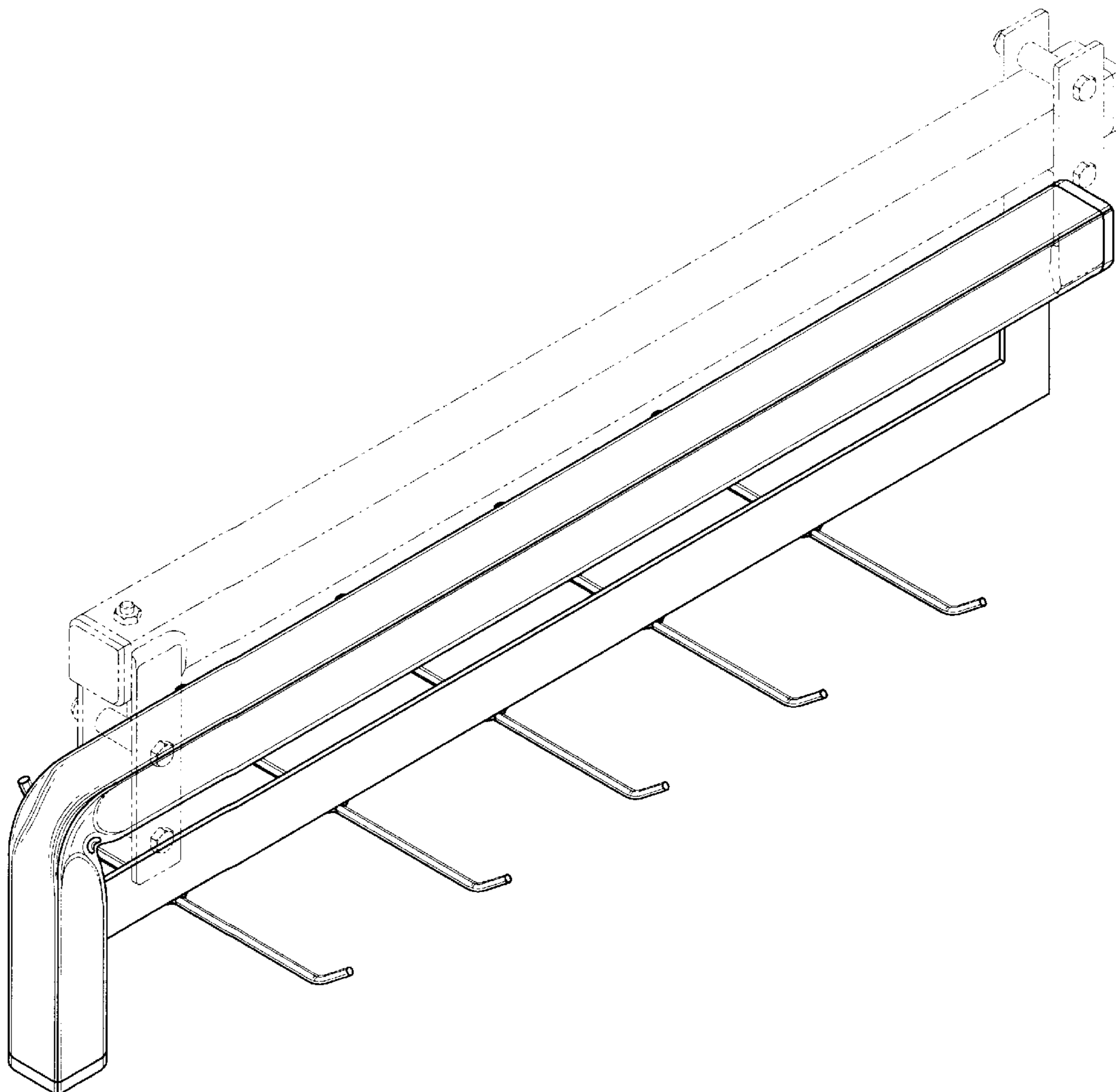
[56] References Cited

U.S. PATENT DOCUMENTS

D. 245,892	9/1977	Yocum	D6/113
D. 305,587	1/1990	Possemato	D6/513
D. 320,713	10/1991	Greenhut et al.	D6/513
D. 348,165	6/1994	Walaski	D6/556
D. 388,641	1/1998	Reeves	D6/513
1,706,887	3/1929	Knostman	211/85.3

Portions of the design depicted in broken line are for illustrative purposes only, and form no part of the claimed design.

1 Claim, 7 Drawing Sheets



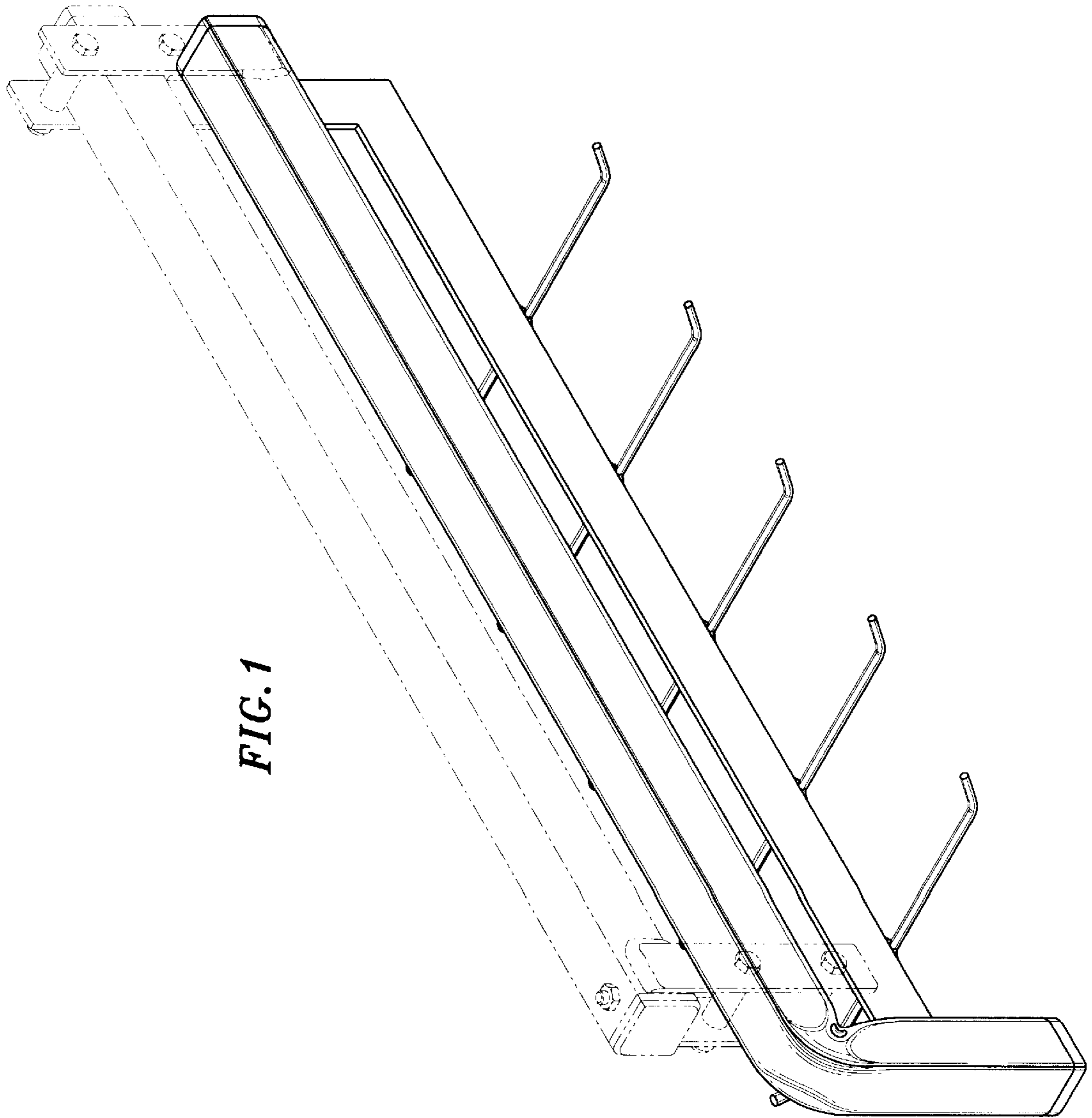


FIG. 1

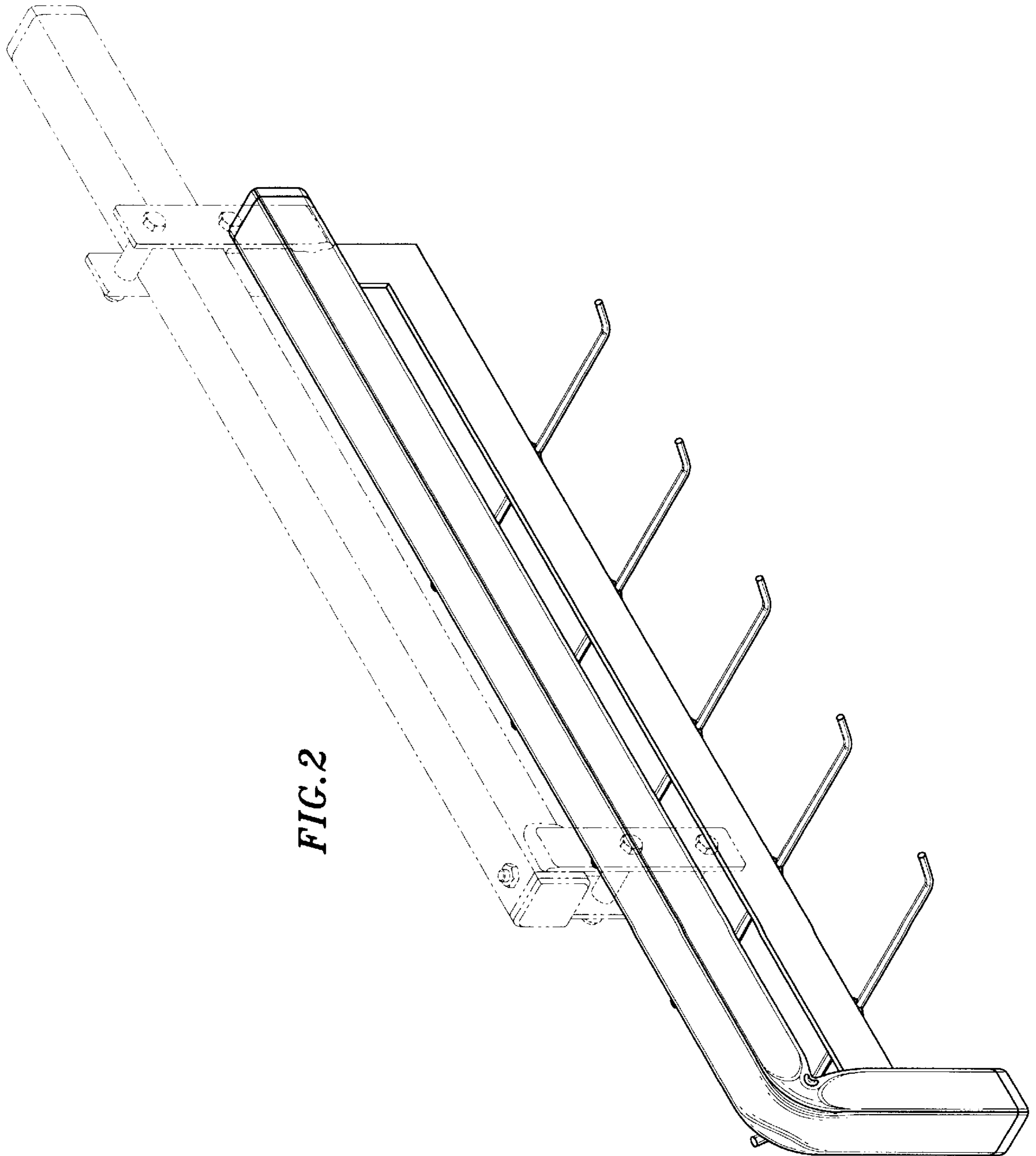


FIG. 3

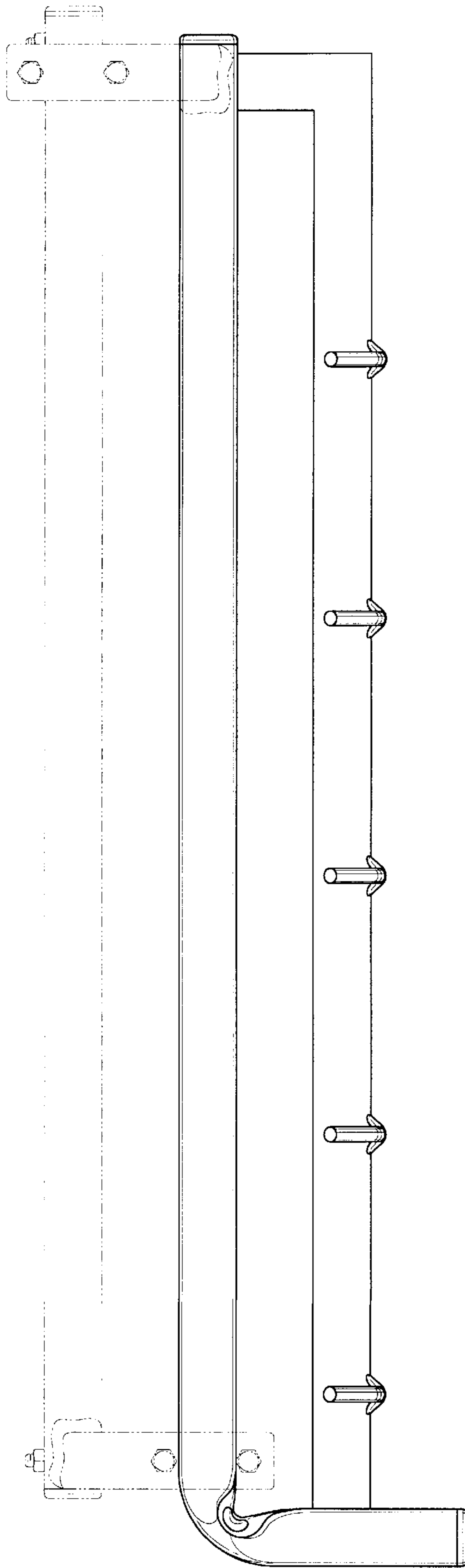


FIG. 4

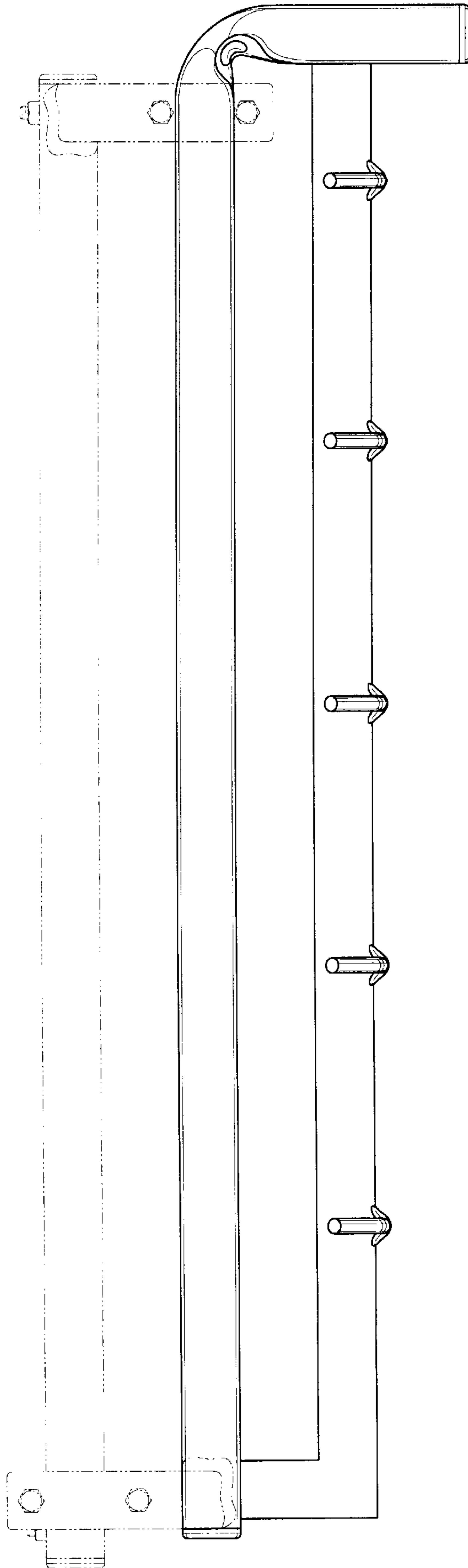


FIG. 5

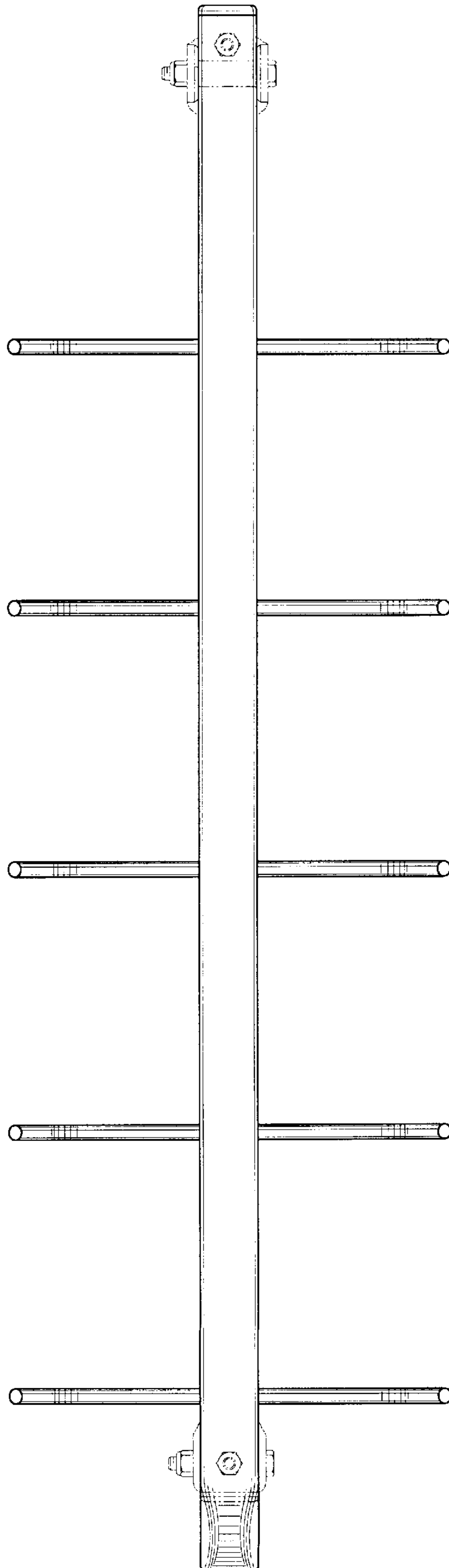


FIG. 6

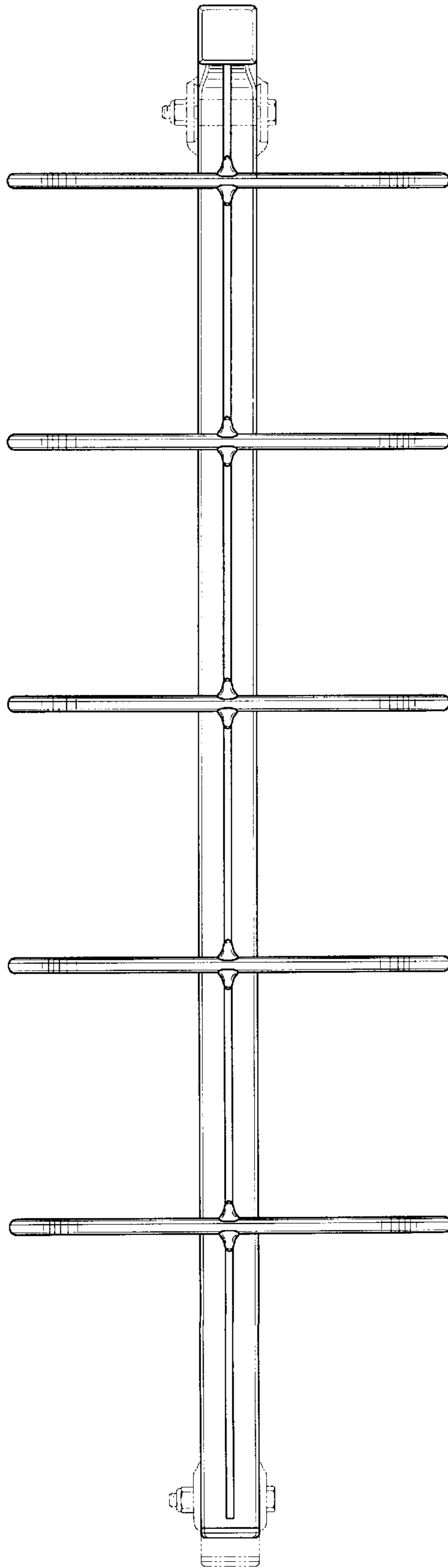


FIG. 8

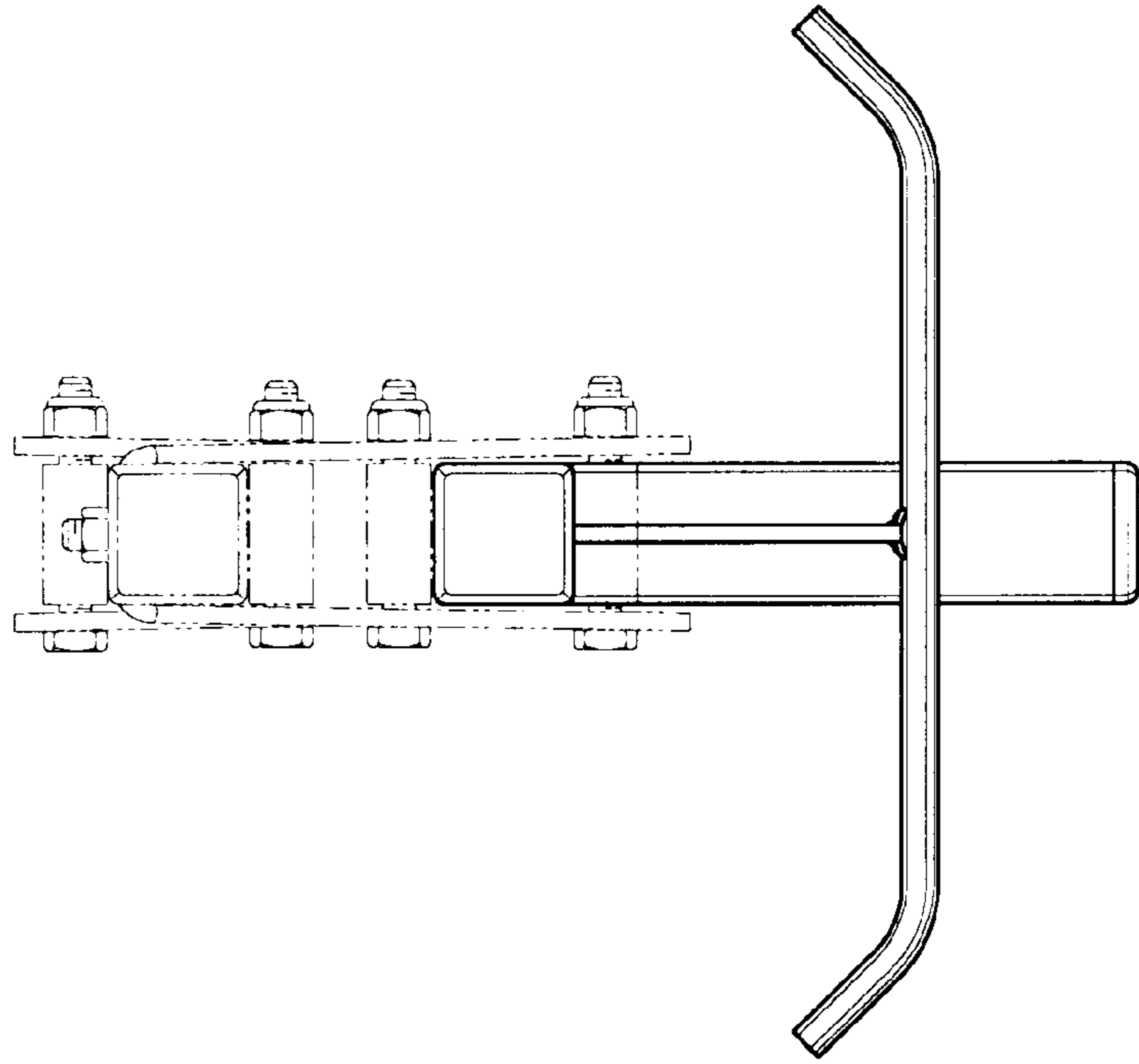


FIG. 7

