



US00D416731S

# United States Patent [19]

Klein et al.

[11] Patent Number: **Des. 416,731**

[45] Date of Patent: **\*\* Nov. 23, 1999**

[54] TOWEL RACK

[75] Inventors: **Richard B. Klein**, Overland Park;  
**Chris Serslev**, Leawood; **John Scott**,  
Lawrence, all of Kans.

[73] Assignee: **Lynk, Inc.**, Lenexa, Kans.

[\*\*] Term: **14 Years**

[21] Appl. No.: **29/091,371**

[22] Filed: **Jul. 28, 1998**

[51] LOC (6) Cl. .... **07-07**

[52] U.S. Cl. .... **D6/548**

[58] Field of Search ..... D6/512-514, 546-550;  
211/13.1, 34, 35, 87, 119; 248/214

[56] **References Cited**

**U.S. PATENT DOCUMENTS**

D. 261,337	10/1981	Flak	.....	D6/548 X
D. 280,479	9/1985	Williams et al.	.....	D6/548
D. 353,734	12/1994	Walls, Jr.	.....	D6/548
D. 354,412	1/1995	Emery	.....	D6/548
D. 358,959	6/1995	Herstedt	.....	D6/548
D. 367,793	3/1996	Macek	.....	D6/548

D. 377,728	2/1997	Klein et al.	.....	D6/570
D. 382,434	8/1997	Klein et al.	.....	D6/570
D. 403,187	12/1998	Klein et al.	.....	D6/548 X
632,409	9/1899	Hallowell	.....	211/35
953,130	2/1910	Fellows	.	
1,377,444	5/1921	Shoemaker	.....	248/304
2,090,108	8/1937	Cicero	.....	211/35

*Primary Examiner*—Brian N. Vinson  
*Attorney, Agent, or Firm*—Shook, Hardy & Bacon LLP

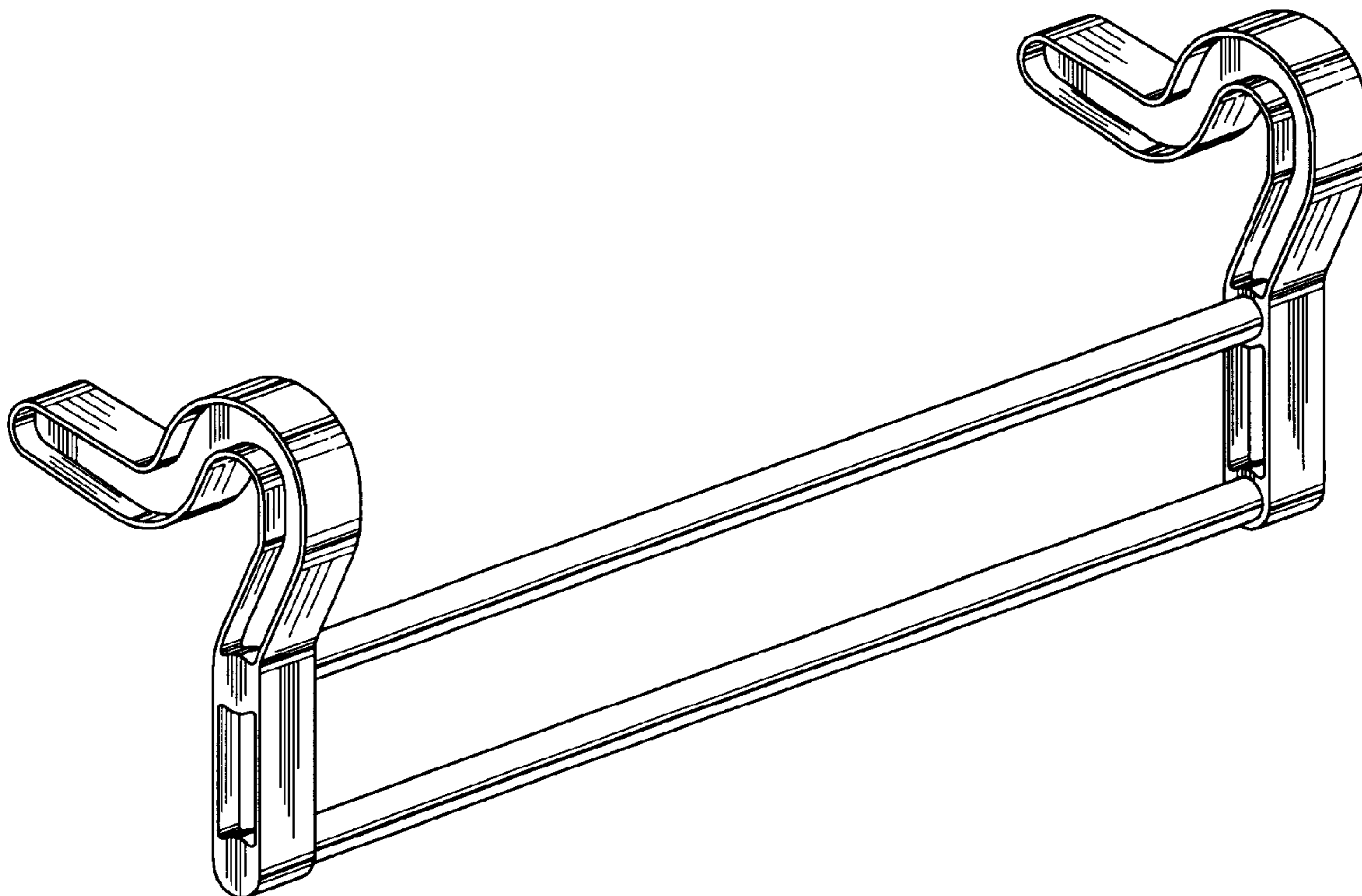
[57] **CLAIM**

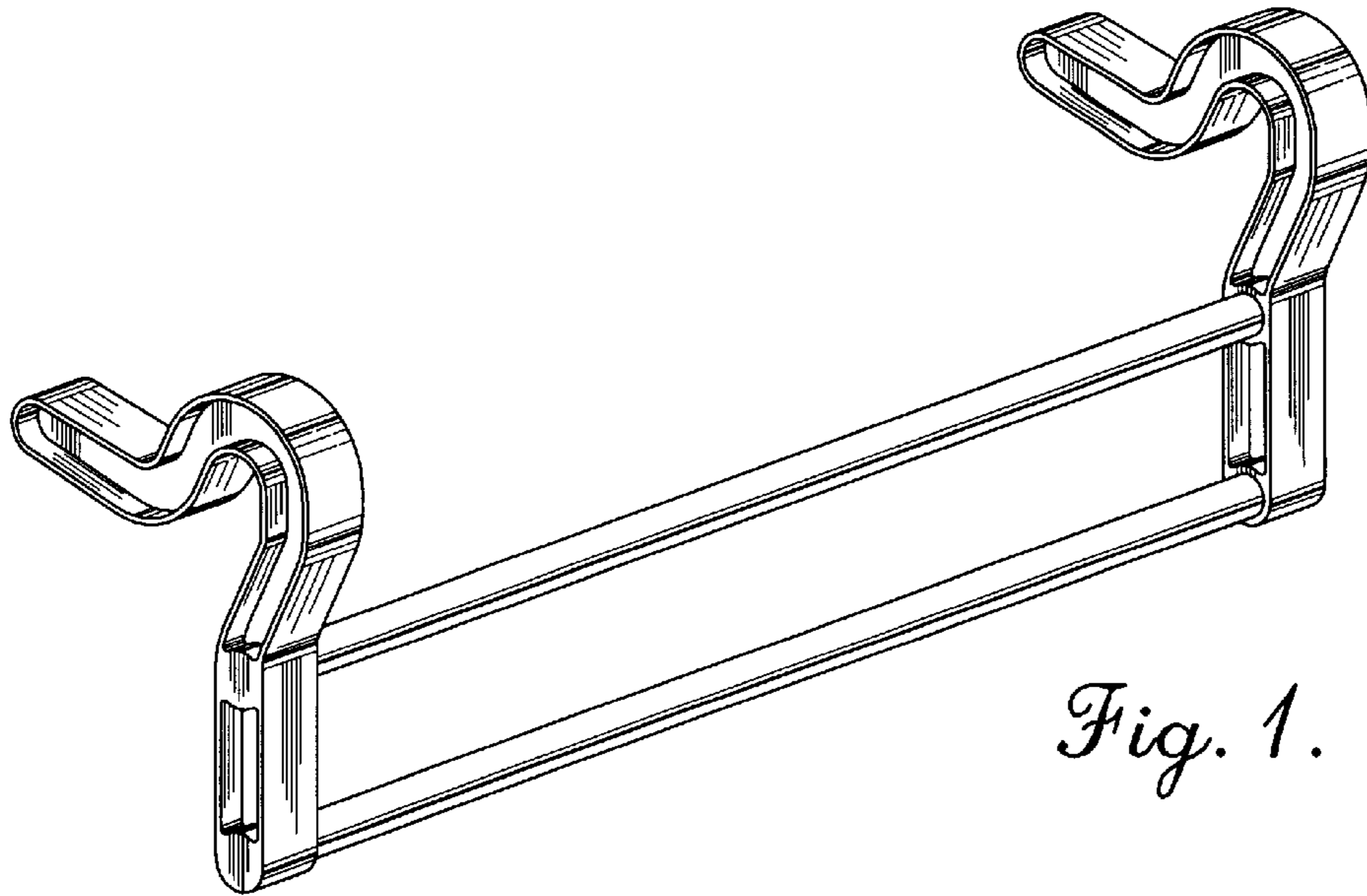
The ornamental design for a towel rack, as shown and described.

**DESCRIPTION**

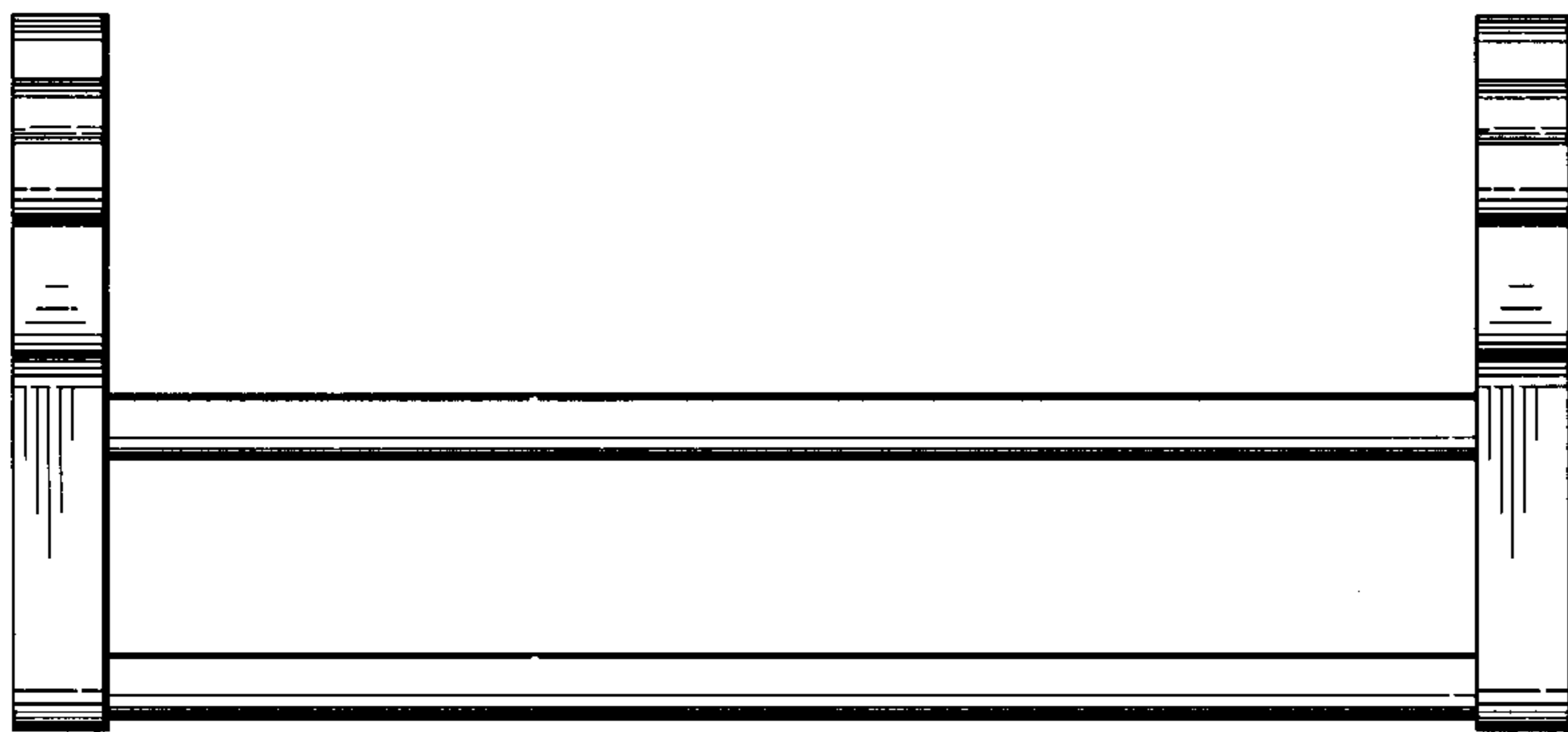
FIG. 1 is a perspective view of a towel rack of the present invention;  
FIG. 2 is a front elevational view thereof;  
FIG. 3 is a left end view thereof;  
FIG. 4 is a top plan view thereof;  
FIG. 5 is a bottom plan view thereof;  
FIG. 6 is a rear elevational view thereof; and,  
FIG. 7 is a left side elevational view with the environment shown in broken lines.

**1 Claim, 2 Drawing Sheets**

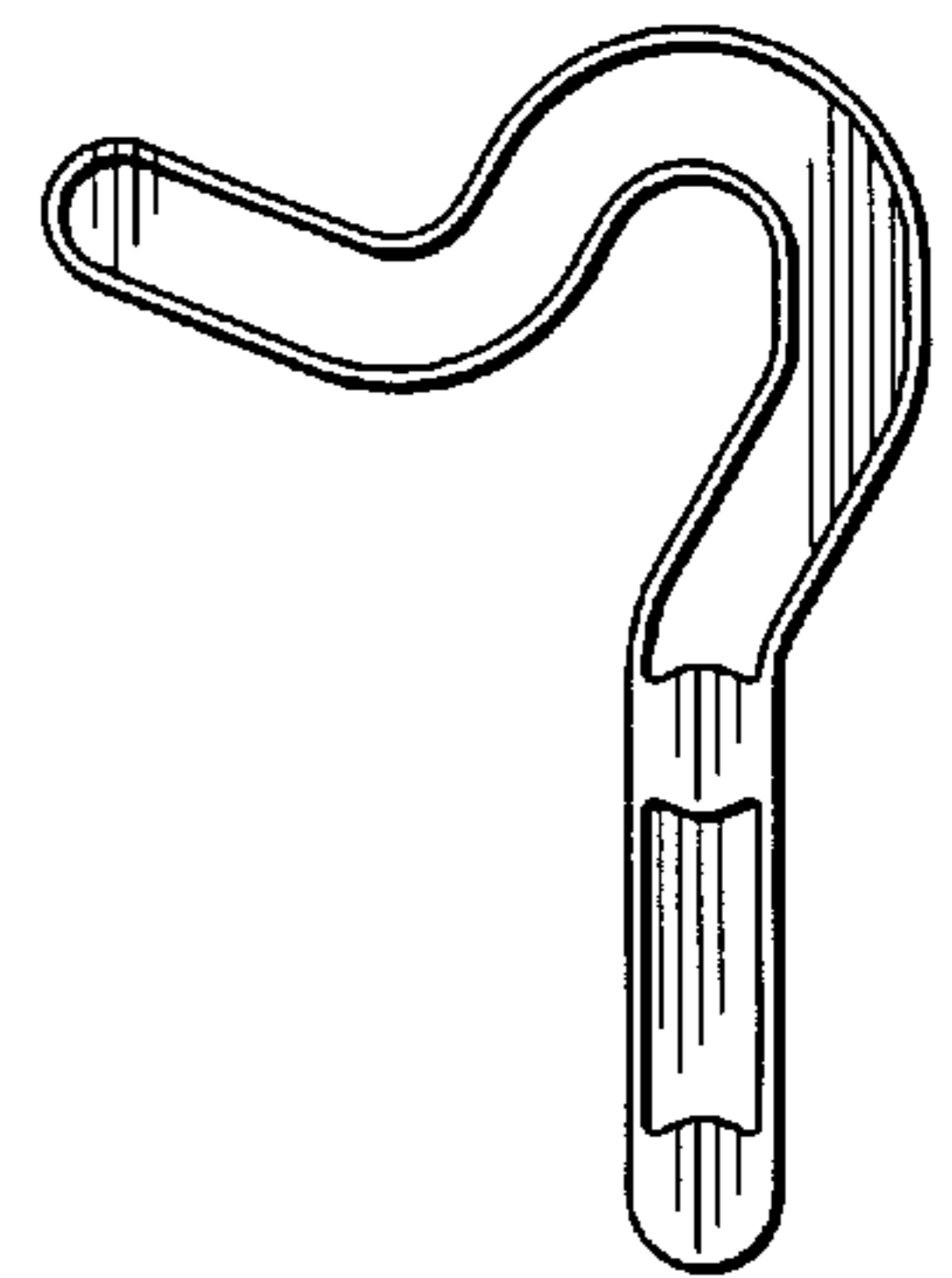




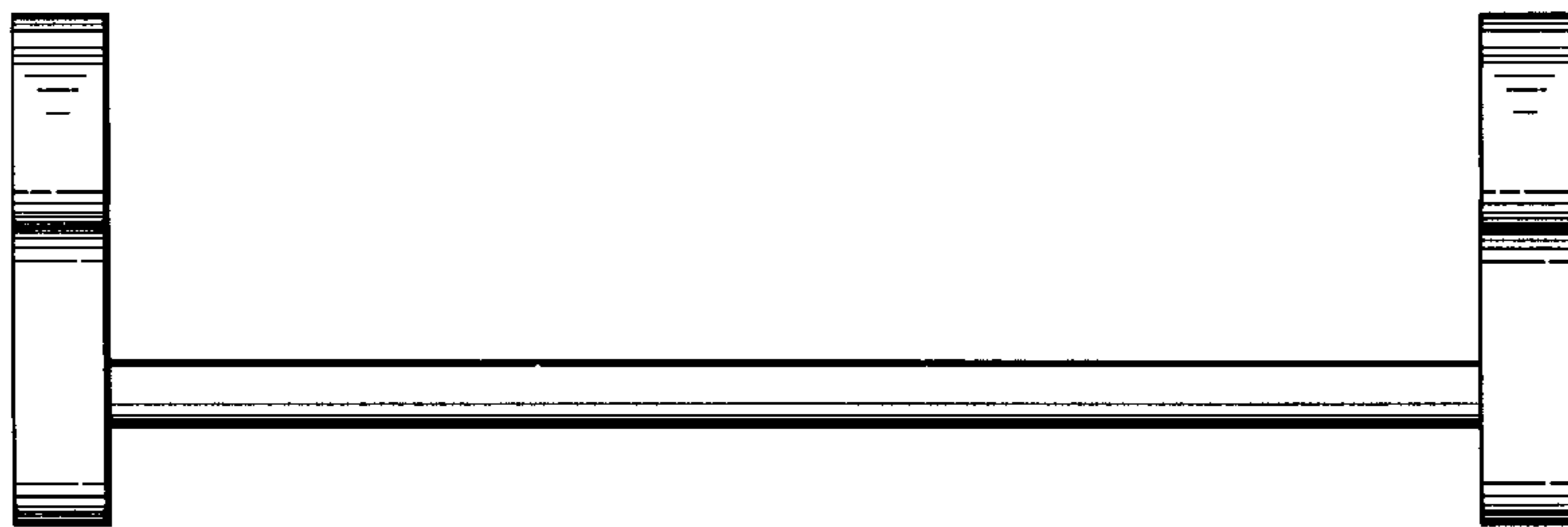
*Fig. 1.*



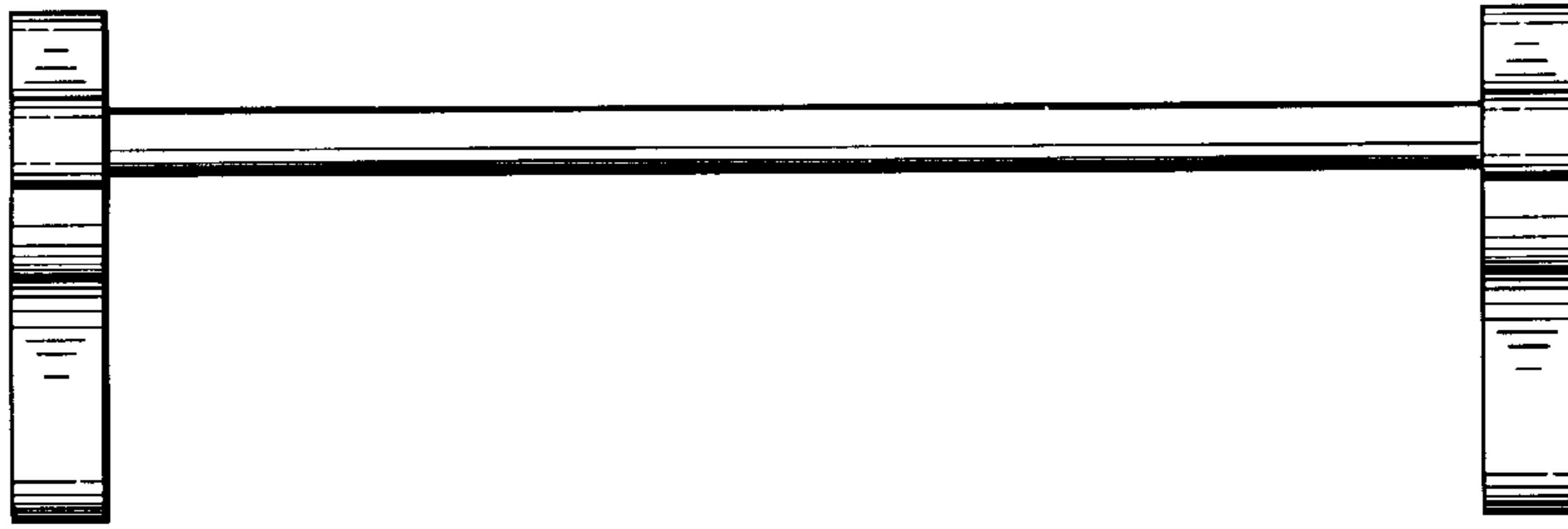
*Fig. 2.*



*Fig. 3.*



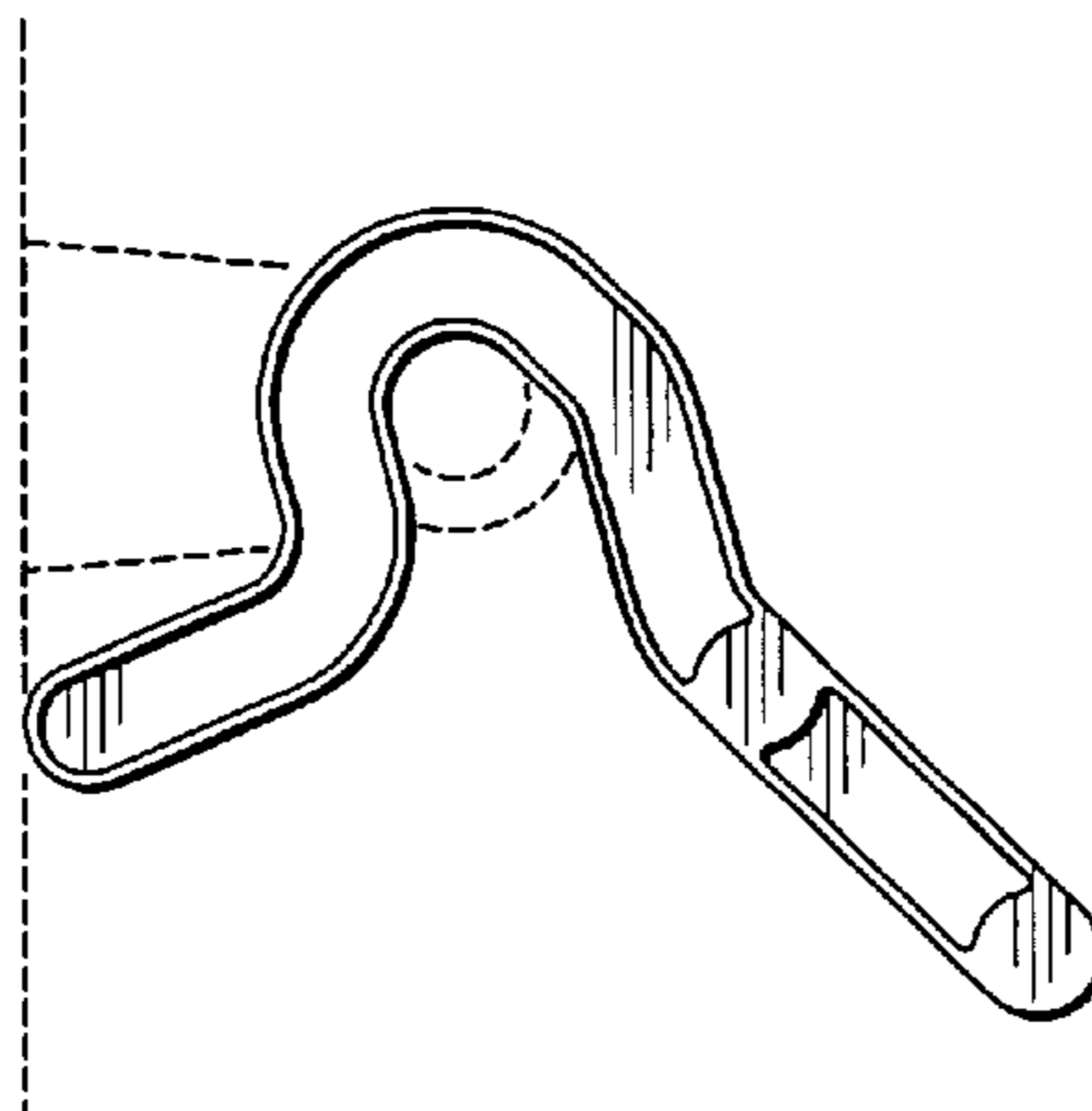
*Fig. 4.*



*Fig. 5.*



*Fig. 6.*



*Fig. 7.*