



US00D416719S

**United States Patent** [19]  
**Zaidman**

[11] **Patent Number: Des. 416,719**

[45] **Date of Patent: \*\* Nov. 23, 1999**

[54] **HEADBOARD**

[75] Inventor: **S. Paul Zaidman**, Winnipeg, Canada

[73] Assignee: **Palliser Furniture, Ltd.**, Winnipeg, Canada

[\*\*] Term: **14 Years**

[21] Appl. No.: **29/091,565**

[22] Filed: **Jul. 31, 1998**

[51] **LOC (6) Cl.** ..... **06-01**

[52] **U.S. Cl.** ..... **D6/505**

[58] **Field of Search** ..... D6/382, 388-395, D6/505-508; 5/53.1, 279.1, 280, 281, 907

[56] **References Cited**

**U.S. PATENT DOCUMENTS**

D. 56,725	12/1920	Isaacs	.....	D6/393
D. 349,623	8/1994	Bargagli-Stoffi	.....	D6/505
D. 407,927	4/1999	Zaidman	.....	D6/505
D. 410,809	6/1999	Zaidman	.....	D6/505

**OTHER PUBLICATIONS**

Photographs—Series 521 and 521-B—Monaco Collection by Palliser Furniture Ltd. (Sep. 1989).  
Photographs—Series 221-A, B and C—Master Bedroom by Palliser Furniture Ltd. (Mar. 1990).

Progressive, c1993, #2835-32 headboard.

Progressive, c1993, #6835-32 headboard.

Levitz, Nov. 1994, p. 4, headboard in center of page.

*Primary Examiner*—Janice E. Seeger  
*Attorney, Agent, or Firm*—Senniger, Powers, Leavitt & Roedel

[57] **CLAIM**

The ornamental design for a headboard, as shown as described.

**DESCRIPTION**

FIG. 1 is a front right side perspective view of a headboard showing my new design, the left side being a mirror image thereof;

FIG. 2 is a front view thereof;

FIG. 3 is a cross-sectional view at III—III of FIG. 2;

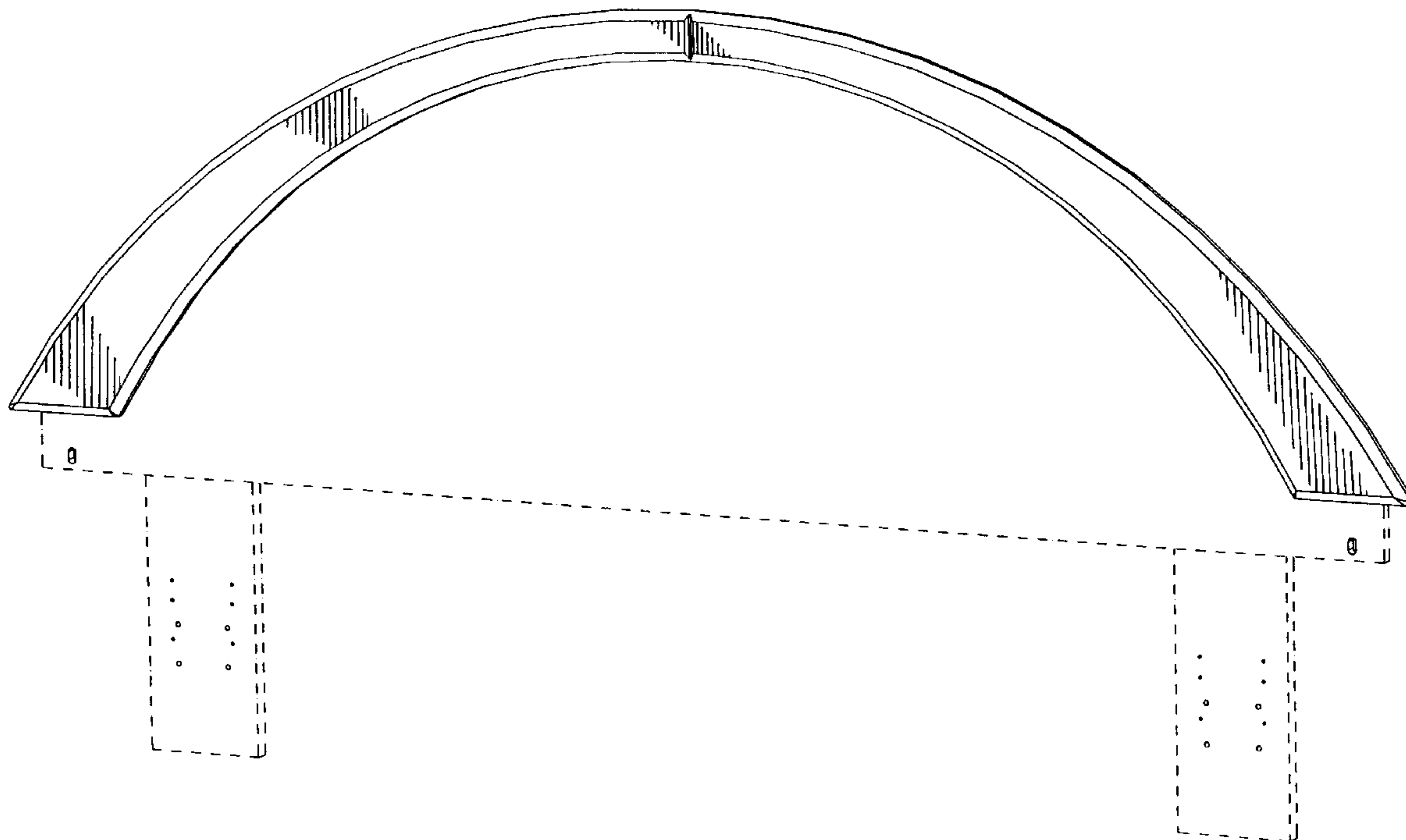
FIG. 4 is a cross-sectional view at IV—IV of FIG. 2;

FIG. 5 is a rear view of FIG. 1; and,

FIG. 6 is a side view of FIG. 1.

The broken lines are for environmental purposes only and form no part of the claimed design.

**1 Claim, 4 Drawing Sheets**



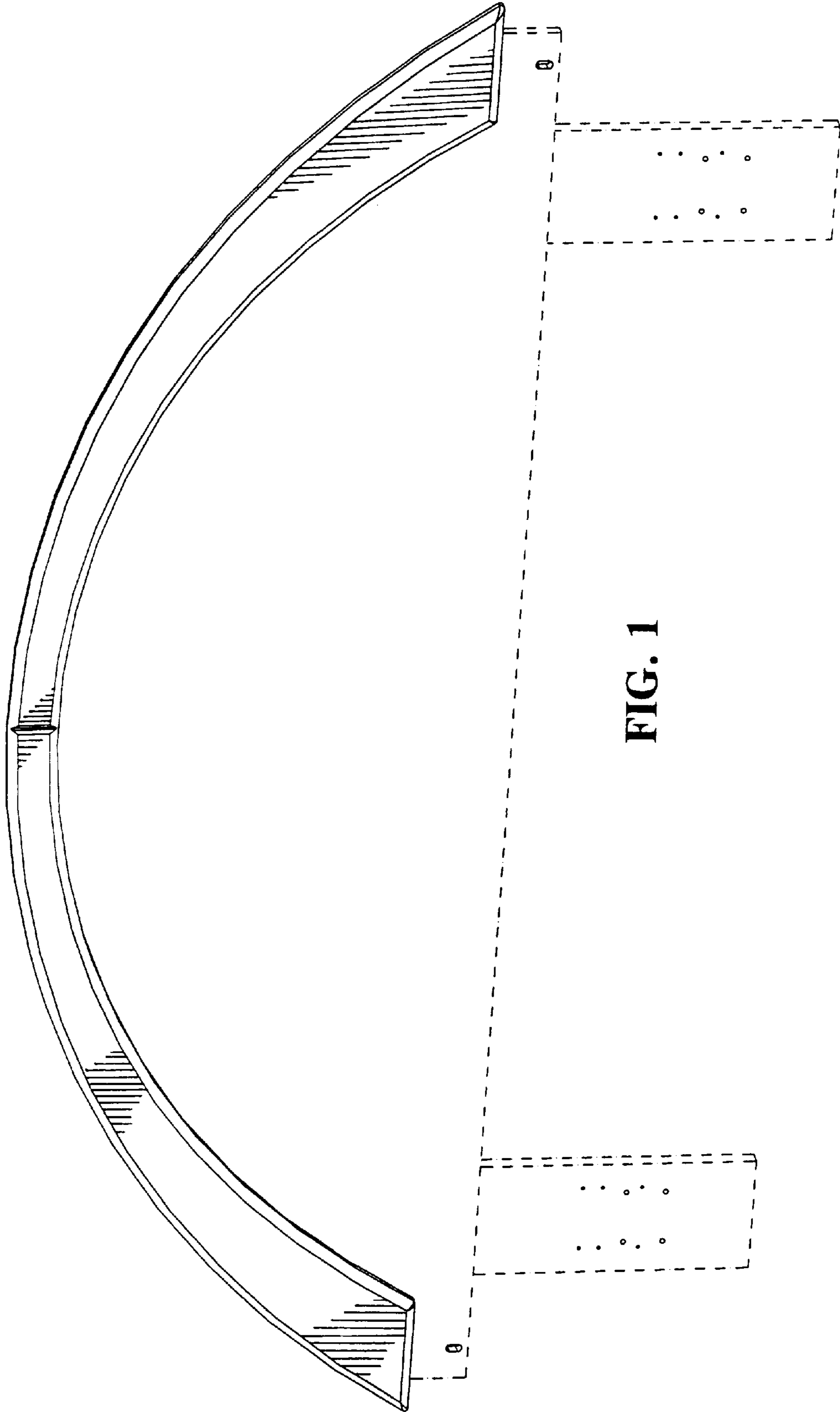
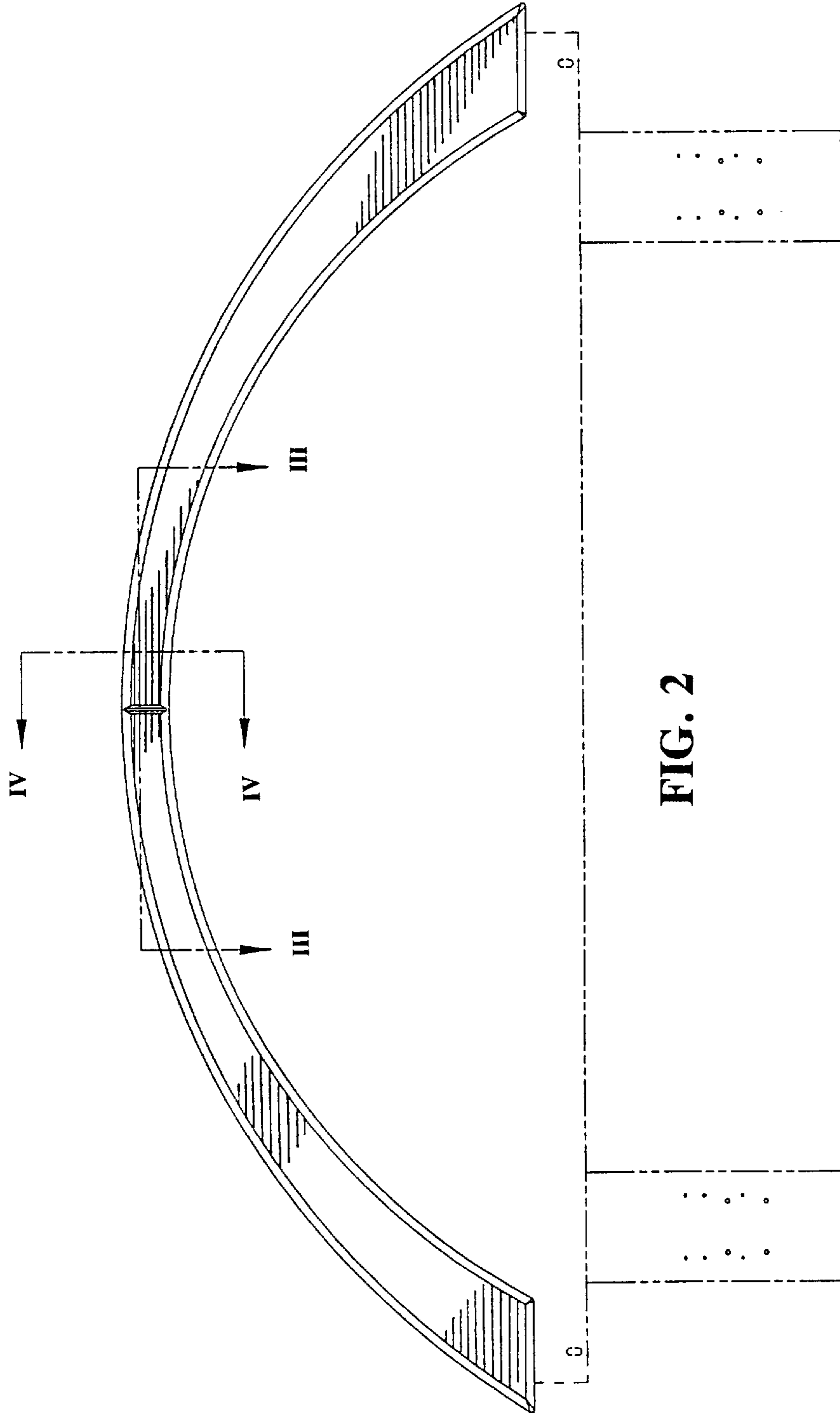
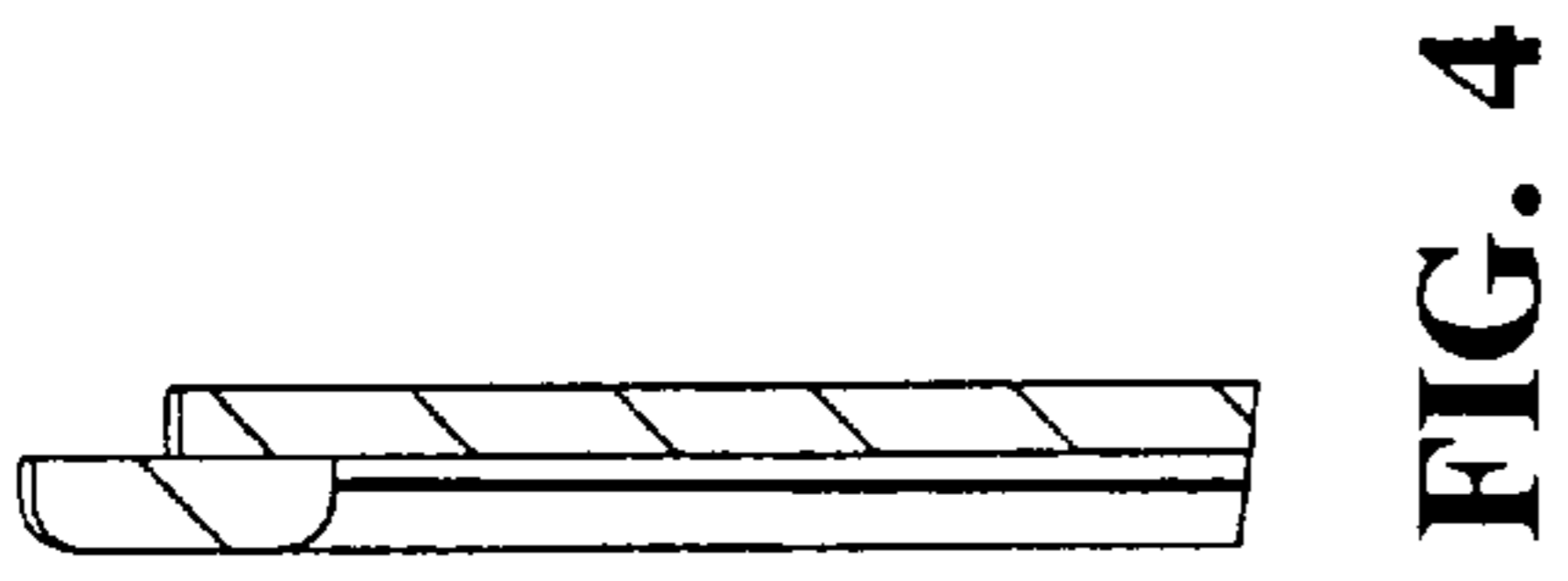


FIG. 1



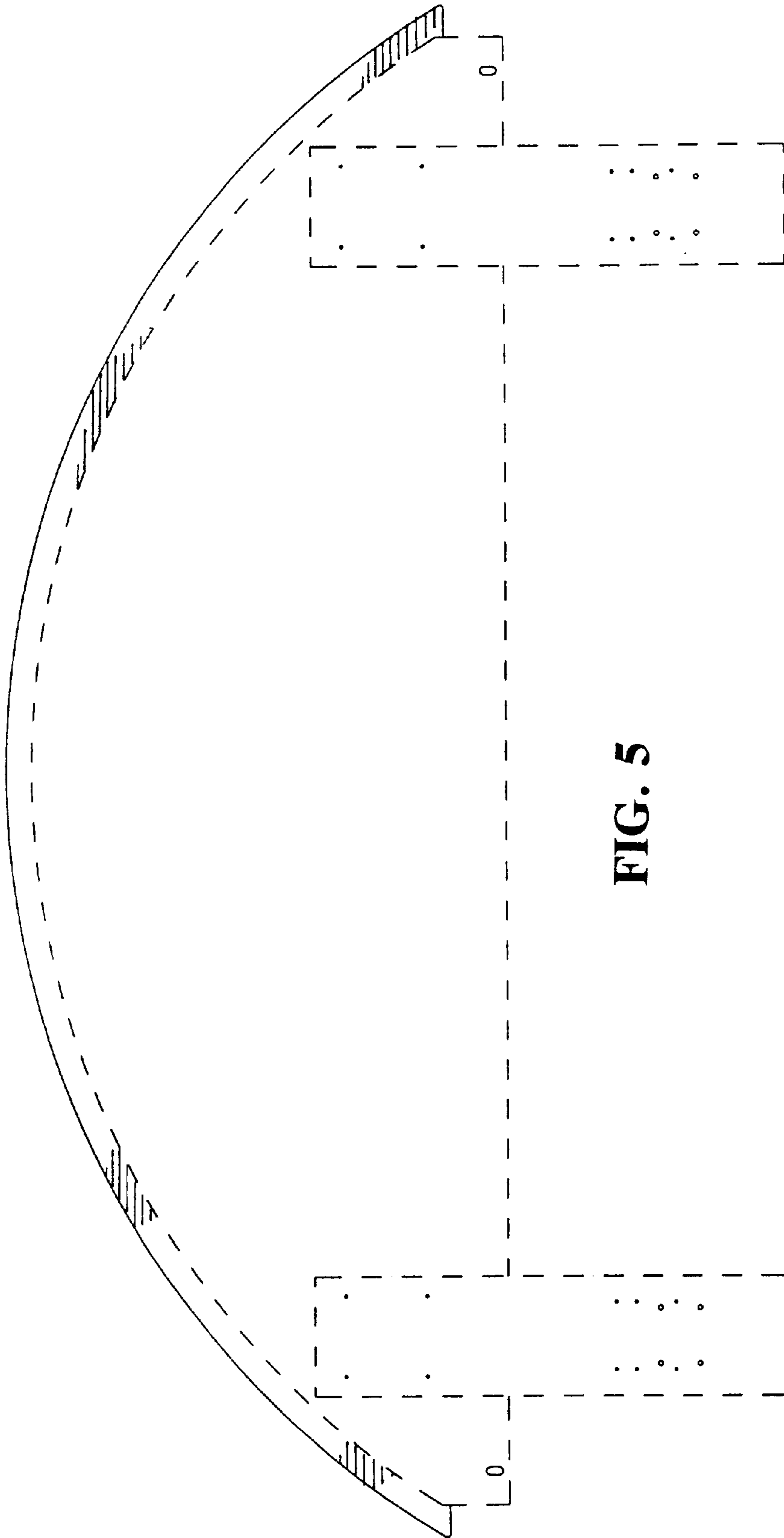


FIG. 5

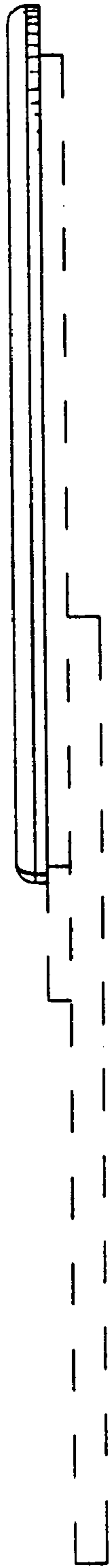


FIG. 6